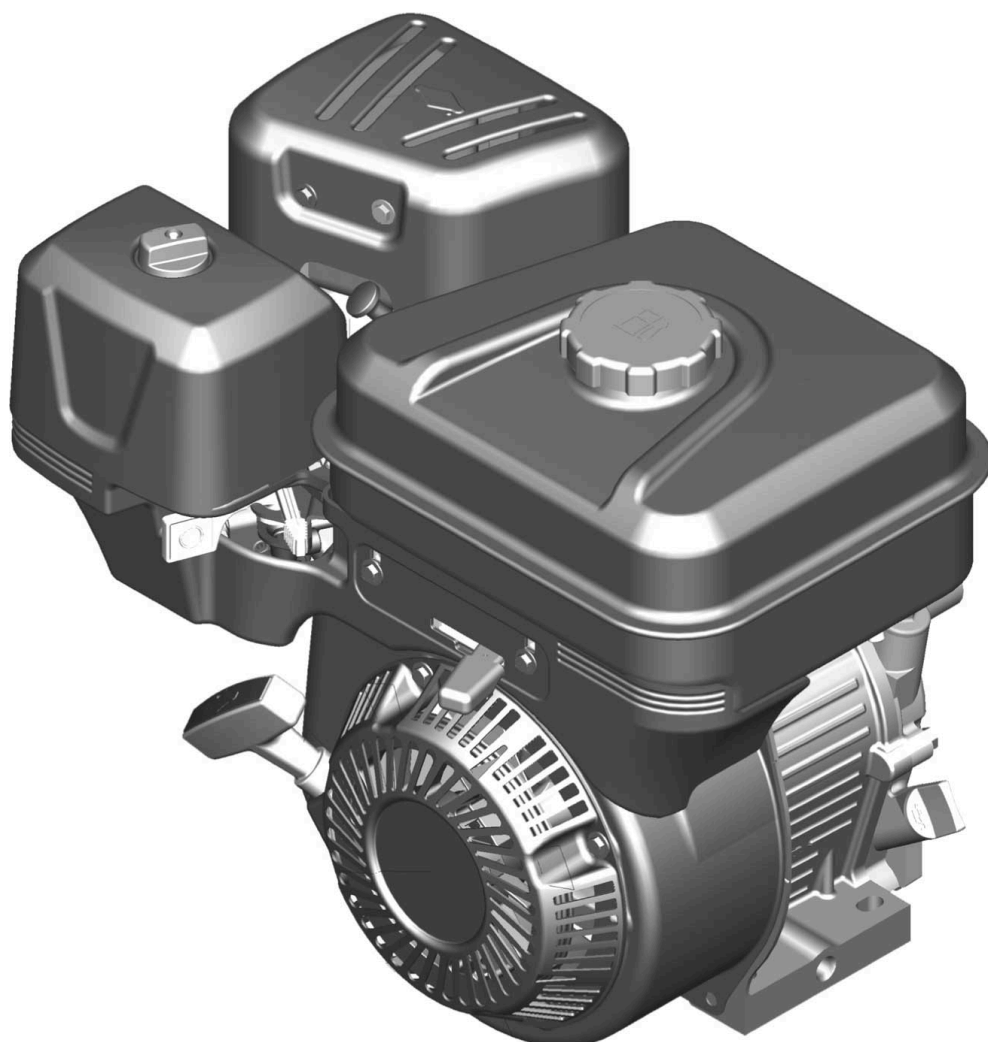


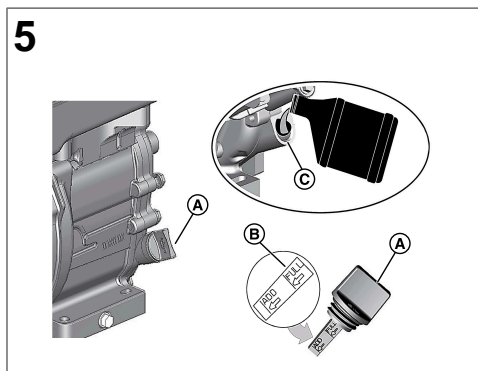
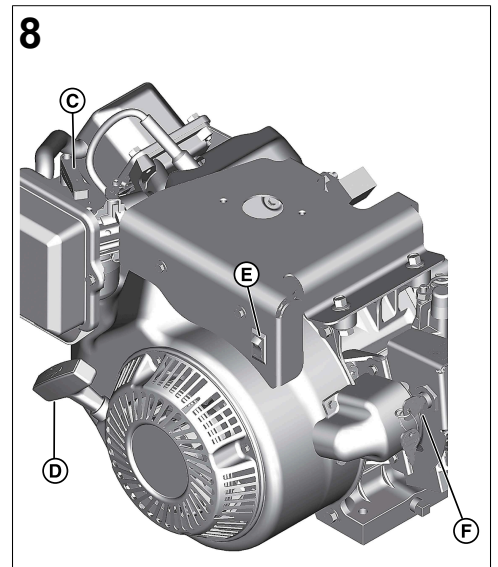
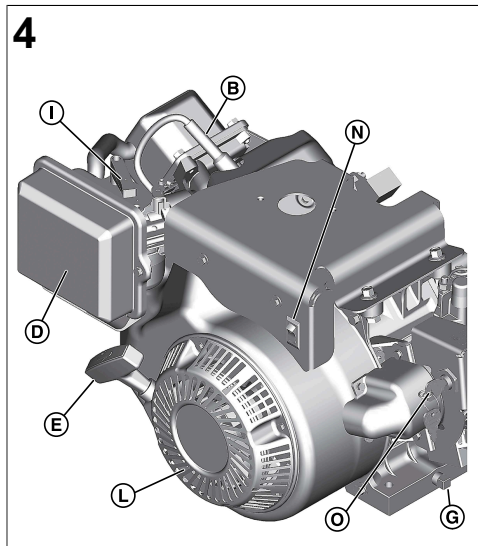
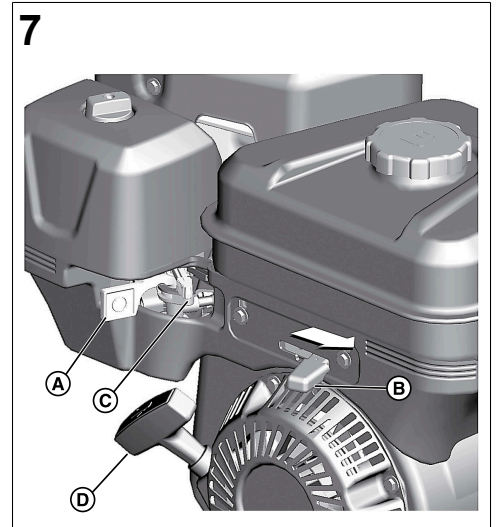
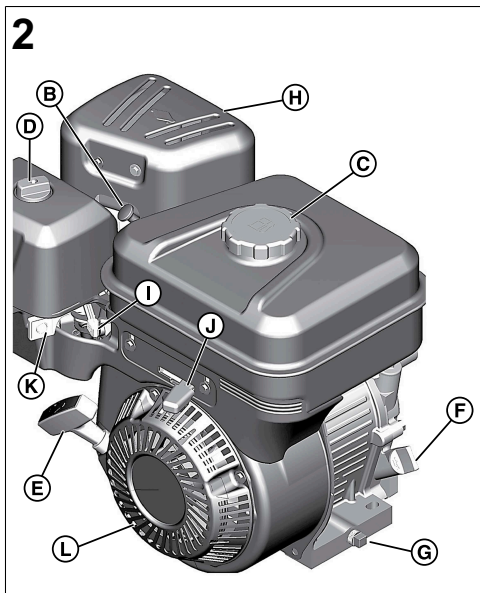
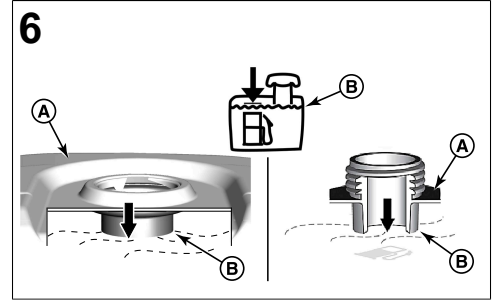
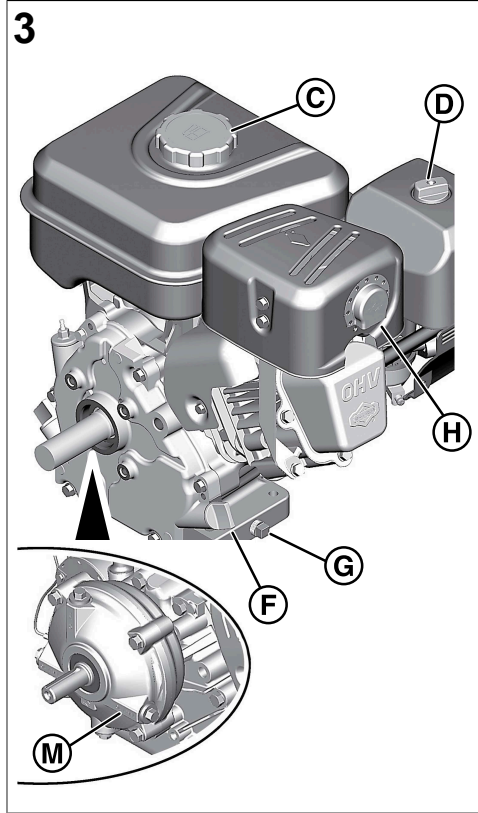
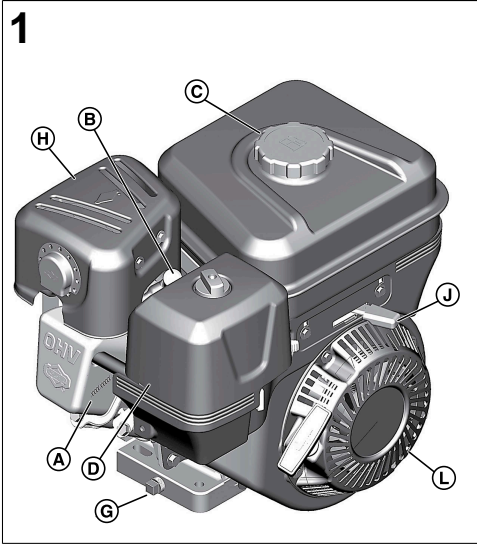
VANGUARD®

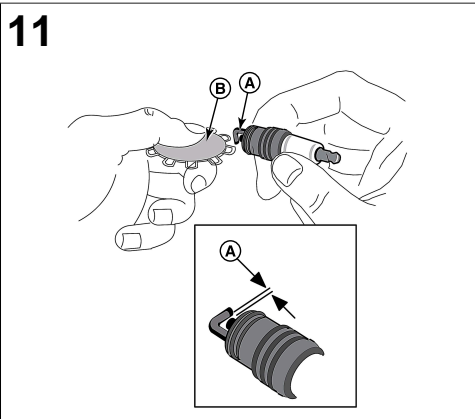
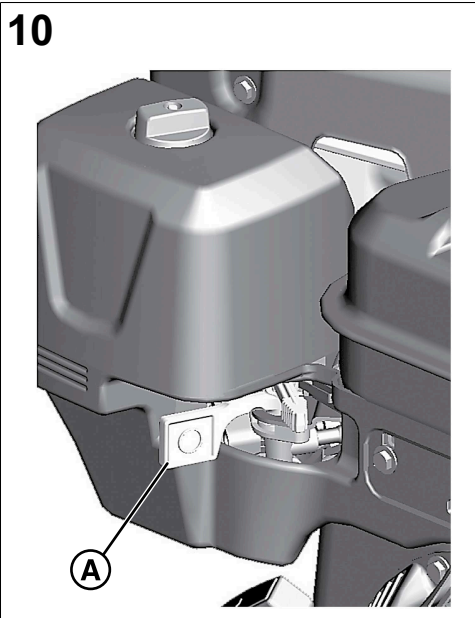
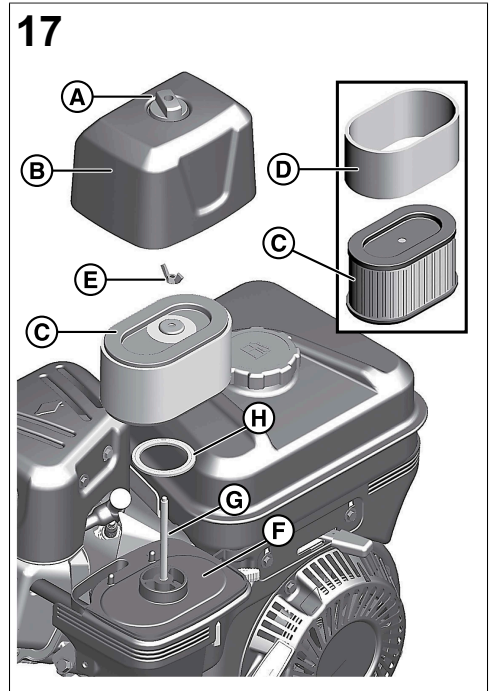
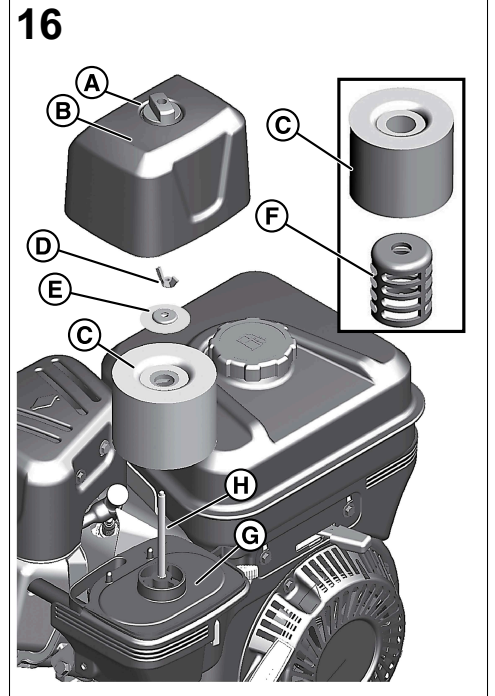
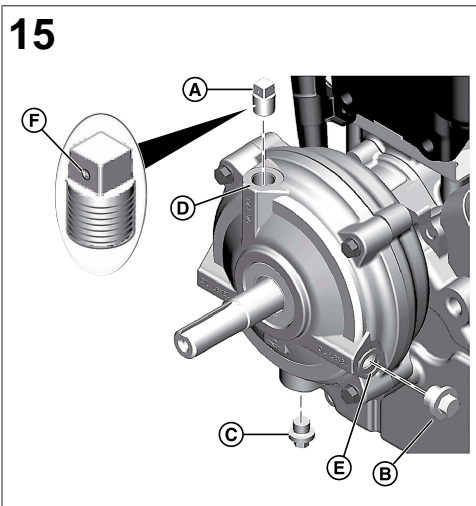
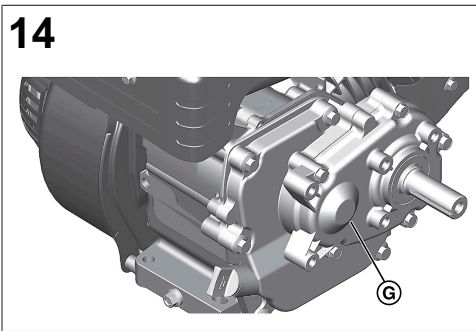
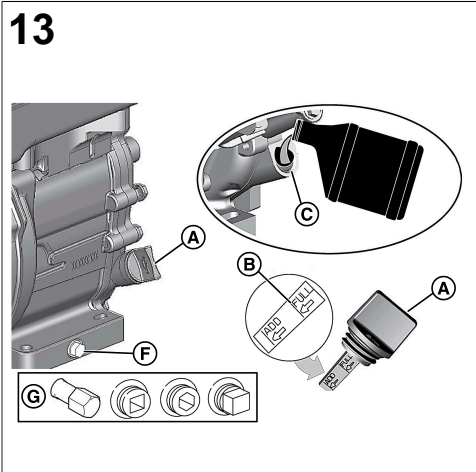
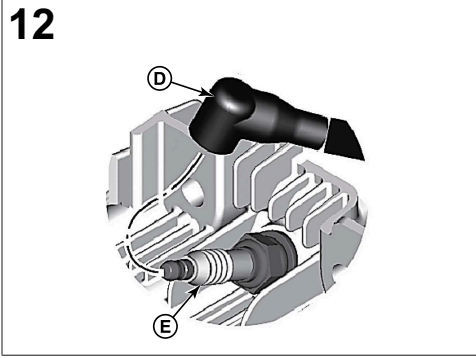
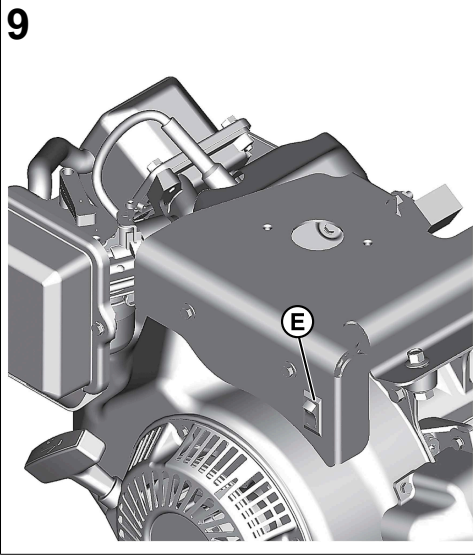


130000, 190000

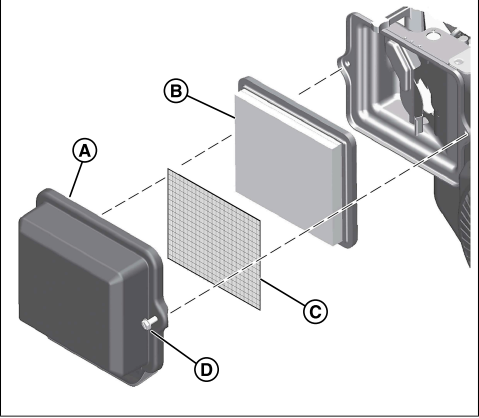
- en Operator's Manual
- es Manual del operador
- fr Manuel d'utilisation



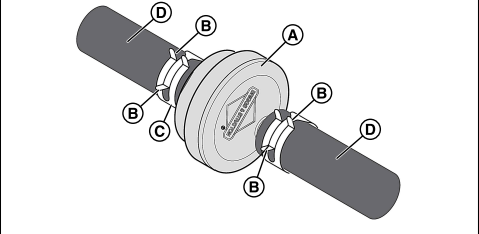




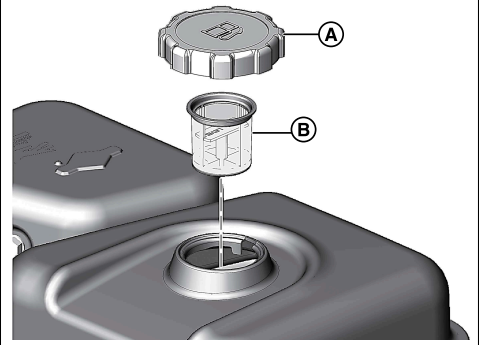
18



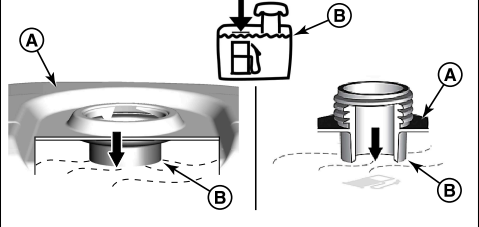
19



20



21



General Information



This manual contains the safety information about the hazards and risks related to the engine and how to prevent them. It also contains the correct operation and maintenance of this engine. It is important that you read, understand, and obey these instructions. **Keep this manual for future reference.**

NOTE: The figures and illustrations in this manual are for information only and can be different from your model. Use the figures that align with your engine configuration. If it is necessary, speak to an Authorized Service Dealer.

Record the date of purchase, engine model, type, trim, and the engine serial number for replacement parts. These numbers are on your engine. Refer to the **Features and Controls** section.

Date of Purchase	
Engine Model - Type - Trim	
Engine Serial Number	

European Office Contact Information

For questions related to European emissions, contact our European office at:

Max-Born-Straße 2, 68519 Viernheim, Germany.

European Union (EU) Stage V (5): Carbon Dioxide (CO₂) Values

Enter CO₂ in the search window on BriggsandStratton.com to find carbon dioxide values of Briggs & Stratton EU Type-Approval Certificate engines.

Recycling Information



Recycle all cartons, boxes, used oil, and batteries as specified by government regulations.

Operator Safety

Safety Alert Symbol and Signal Words



The safety alert symbol identifies safety information about hazards that could result in personal injury. A signal word (**DANGER**, **WARNING**, or **CAUTION**) is used to indicate the likelihood and the potential severity of injury. In addition, a hazard symbol is used to represent the type of hazard.

DANGER indicates a hazard which, if not avoided, **will** result in death or serious injury.

WARNING indicates a hazard which, if not avoided, **could** result in death or serious injury.

CAUTION indicates a hazard which, if not avoided, **could** result in minor or moderate injury.

NOTICE indicates information considered important but not hazard-related.

Hazard Symbols and Meanings

	Safety information about hazards that can result in personal injury.		Read and understand the Operator's Manual before operating or servicing the unit.
	Fire Hazard		Explosion Hazard
	Shock Hazard		Toxic Fume Hazard
	Hot Surface Hazard		Kickback Hazard

	Amputation Hazard - Moving Parts		Fuel Level - Maximum Do Not Overfill
--	----------------------------------	--	--------------------------------------

Safety Messages



WARNING

This product can expose you to chemicals including gasoline engine exhaust, which is known to the State of California to cause cancer, and carbon monoxide, which is known to the State of California to cause birth defects or other reproductive harm. For more information go to www.P65Warnings.ca.gov.



WARNING

Briggs & Stratton® Engines are not designed for and are not to be used to power: fun-karts; go-karts; children's, recreational, or sport all-terrain vehicles (ATVs); motorbikes; hovercraft; aircraft products; or vehicles used in competitive events not sanctioned by Briggs & Stratton. For information about competitive racing products, see www.briggsracing.com. For use with utility and side-by-side ATVs, please contact Briggs & Stratton Power Application Center, 1-866-927-3349. Incorrect engine use could result in serious injury or death.



WARNING

Fuel and its vapors are flammable and explosive. Fire or explosion could result in burns or death.

When you add fuel

- Stop the engine. Before you remove the fuel cap, wait a minimum of two (2) minutes to make sure that the engine is cool.
- Fill the fuel tank outdoors or in an area that has good airflow.
- Do not put too much fuel in the tank. For expansion of the fuel, do not fill above the bottom of the fuel tank neck.
- Keep fuel away from sparks, open flames, pilot lights, heat, and other ignition sources.
- Frequently examine the fuel lines, fuel tank, fuel cap, and connections for cracks or leaks. Replace damaged parts.
- If fuel spills, wait until it dries before you start the engine.

When you start the engine

- Make sure that the spark plug, muffler, fuel cap and air cleaner (if equipped) are correctly installed.
- Do not crank the engine with the spark plug removed.
- If the engine is flooded, set the choke (if equipped) to the OPEN or RUN position. Move the throttle (if equipped) to the FAST position and crank until the engine starts.
- If there is natural or LP gas leakage in the area, do not start the engine.
- Because vapors are flammable, do not use pressurized starter fluids.

When you operate the equipment

- Do not tilt the engine or the equipment at an angle which causes fuel to spill.
- Do not choke the carburetor (if equipped) to stop the engine.
- Do not start or operate the engine with the air cleaner (if equipped) or the air filter (if equipped) removed.

When you do maintenance

- If you drain the oil from the top oil fill tube, the fuel tank must be empty. If it is not empty, fuel leakage can occur and could result a fire or an explosion.
- During maintenance if it is necessary to tilt the unit, make sure that the fuel tank, if mounted on the engine, is empty and that the spark plug side is up. If the fuel tank is not empty, leakage can occur and could result a fire or an explosion.
- Frequently examine the fuel lines, fuel tank, fuel cap, and connections for cracks or leaks. Replace damaged parts.
- Do not change the governor spring, links or other parts to increase engine speed.
- Do not hit the flywheel with a hammer or hard object. This could result in failure of the flywheel during operation.
- Replacement parts must be of the same design and installed in the same position as the original parts. Other parts could result in damage or an injury.

When you move the location of equipment

- Make sure that the fuel tank is EMPTY or that the fuel shut-off valve is in the CLOSED position.

When fuel or equipment is in storage with fuel in the fuel tank

- Because pilot lights or other ignition sources can cause explosions, keep fuel or equipment away from furnaces, stoves, water heaters or other appliances that have pilot lights.



WARNING
Fuel and its vapors are flammable and explosive. Fire or explosion could result in burns or death.

Engine start-up causes spark that could result in a fire or explosion.

- If there is natural or LP gas leakage in the area, do not start the engine.
- Because vapors are flammable, do not use pressurized starter fluids.



WARNING
POISONOUS GAS HAZARD. Engine exhaust contains carbon monoxide, a poisonous gas that could kill you in minutes. Although you do not smell exhaust fumes, you could still be exposed to dangerous carbon monoxide gas. If you feel sick, dizzy, or weak while you use this product, get to fresh air **RIGHT AWAY**. See a doctor. You may have carbon monoxide poisoning.

- Carbon monoxide gas can collect in occupied spaces. To reduce the risk of carbon monoxide gas, **ONLY** operate this product outdoors and far away from windows, doors and vents.
- Install battery-operated carbon monoxide alarms or plug-in carbon monoxide alarms with battery back-up as specified by the manufacturer's instructions. Smoke alarms cannot sense carbon monoxide gas.
- **DO NOT** operate this product in homes, garages, basements, crawlspaces, sheds, or other closed spaces, even if you use fans or open doors and windows for ventilation. After the operation of this product, carbon monoxide can quickly collect in these spaces and stay for hours.
- **ALWAYS** put this product downwind and point the engine exhaust away from occupied spaces.



WARNING
Fast retraction of the starter cord (kickback) will pull your hand and arm to the engine faster than you can let go. Broken bones, fractures, bruises or sprains could result.

- To prevent kickback when you start the engine, pull the starter cord slowly until resistance is felt and then pull quickly.
- Before you start the engine, disconnect or remove all external equipment and engine loads.
- Make sure that direct-coupled equipment components, such as, but not limited to, blades, impellers, pulleys, and sprockets, are correctly attached.



WARNING
Rotating parts can entangle hands, feet, hair, clothing, or accessories and result in traumatic amputation or laceration.

- Operate equipment with the guards correctly installed.
- Keep hands and feet away from rotating parts.
- Remove jewelry and make sure that long hair is away from all rotating parts.
- Do not wear loose clothes or items that could become caught.



WARNING
During operation, the engine and muffler become hot. If you touch a hot engine, thermal burns can occur.

Combustible materials, such as leaves, grass and brush, can catch fire.

- Before you touch the engine or muffler, stop the engine and wait two (2) minutes. Make sure that the engine and muffler are safe to touch.
- Remove debris from the muffler and engine.

It is a violation of California Public Resource Code, Section 4442, to use or operate the engine on any forest-covered, brush-covered, or grass-covered land unless the exhaust system is equipped with a spark arrester, as defined in section 4442, maintained in effective working order. Other states or federal jurisdictions may have similar laws; reference Federal Regulation 36 CFR Part 261.52. Contact the original equipment manufacturer, retailer, or dealer to obtain a spark arrester designed for the exhaust system installed on this engine.



WARNING
Accidental engine spark can cause an electric shock, fire or explosion and could result in entanglement, traumatic amputation or laceration.

Before you make adjustments or repairs:

- Disconnect all spark plug wires and keep them away from the spark plugs.
- Disconnect the battery wire from the negative battery terminal (only engines with electric start).
- Use only the correct tools.

When you check for spark:

- Use an approved spark plug tester.
- Do not check for spark with the spark plug removed.



WARNING
Fuel vapors are flammable and explosive. Fire or explosion could result in burns or death.

If you smell gas

- Do not start the engine.
- Do not switch on electrical switches.
- Do not use a phone in the vicinity.
- Evacuate the area.
- Contact the gas supplier or the fire department.

Features and Controls






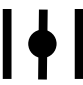
Engine Controls

Compare the callout letters in Figures 1, 2, 3, and 4 to the engine controls in the list that follows:

- A. Engine Identification Numbers **Model - Type - Code**
- B. Spark Plug
- C. Fuel Tank and Cap
- D. Air Cleaner
- E. Starter Cord Handle
- F. Oil Fill and Dipstick
- G. Oil Drain Plug
- H. Muffler, Muffler Guard (if installed), Spark Arrester (if installed)
- I. Choke Control
- J. Throttle Control (if installed)
- K. TransportGuard™ - Fuel and Ignition Lever
- L. Air Intake Grille
- M. Gear Reduction Unit (if installed)
- N. Stop Switch (if installed)
- O. Electric Start Switch (if installed)¹

¹ Some engines and equipment have remote controls. Refer to the equipment manual for the location and operation of remote controls.

Engine Control Symbols and Meanings

 Engine Speed - FAST	 Engine Speed - SLOW
 Engine Speed - STOP	 ON - OFF
 Engine Start Choke CLOSED	 Engine Start Choke OPEN



Fuel Cap
Fuel Shut-off OPEN



Fuel Shut-off CLOSED

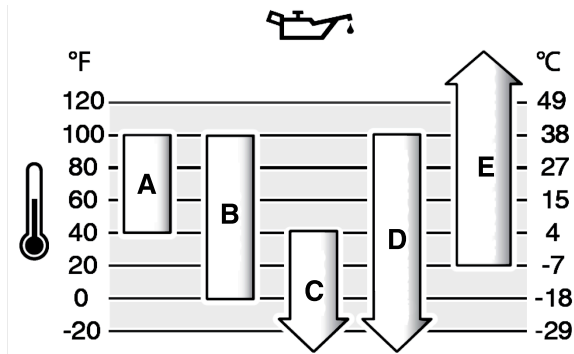
Operation

Oil Recommendations

Oil Capacity: Refer to the **Specifications** section.

We recommend the use of Briggs & Stratton® Warranty Certified oils for best performance. Other high-quality detergent oils are permitted if classified for service SF, SG, SH, SJ or higher. Do not use special additives.

Use the chart to select the best viscosity for the outdoor temperature range expected. Engines on most outdoor power equipment operate good with 5W-30 Synthetic oil. For equipment operated in hot temperatures, Vanguard® 15W-50 Synthetic oil gives the best protection.



A	SAE 30 - Below 40 °F (4 °C) the use of SAE 30 will result in hard starting.
B	10W-30 - Above 80 °F (27 °C) the use of 10W-30 may cause increased oil consumption. Check the oil level frequently.
C	5W-30
D	Synthetic 5W-30
E	Vanguard® Synthetic 15W-50

Check the Oil Level

Before you check or add oil

- Make sure the engine is level.
- Clean the oil fill area of debris.
- Refer to the **Specifications** section for oil capacity.

NOTICE

This engine was shipped from Briggs & Stratton without oil. Equipment manufacturers or dealers could have added oil to the engine. Before you start the engine for the first time, make sure that the oil is at the correct level. Add oil as specified by the instructions in this manual. If you start the engine without oil, damage will occur and the engine will not be repaired under warranty.

1. Remove the dipstick (A, Figure 5) and clean with a cloth.
2. Install the dipstick (A, Figure 5). **DO NOT turn or tighten the dipstick.**
3. Remove the dipstick and check the oil level. Make sure that the oil level is at the top of the full indicator (B, Figure 5) on the dipstick.
4. If the oil level is low, slowly add oil into the engine oil fill (C, Figure 5). Do not add too much oil. After you add oil, wait one minute and check the oil level again. Make sure that the oil level is correct.
5. Install and tighten the dipstick (A, Figure 5).

Low Oil Protection System (if installed)

A low oil sensor is installed on some engines. If the oil is low, the sensor will show a warning light or stop the engine. Stop the engine and do the steps that follow before you start the engine.

- Make sure that the engine is level.
- Do an oil check. Refer to the **Check Oil Level** section.
- If the oil level is low, add the correct amount of oil. Start the engine and make sure that the warning light (if installed) does not come on.
- If the oil level is not low, do not start the engine. Contact a Briggs & Stratton Authorized Service Dealer to correct the oil problem.

Fuel Recommendations

Fuel must meet these requirements:

- Clean, fresh, unleaded gasoline.
- A minimum of 87 octane/87 AKI (91 RON). High altitude use, see below.
- Gasoline with up to 10% ethanol (gasohol) is permitted.

NOTICE

Do not use unapproved gasoline, such as E15 and E85. Do not mix oil in gasoline or change the engine to operate on alternate fuels. Use of unapproved fuels could result in damage to engine components, which will not be repaired under the warranty.

To protect the fuel system from gum formation, and corrosion, mix an alcohol-free fuel stabilizer and ethanol treatment into the fuel. Refer to the **Storage** section. All fuel is not the same. If start or performance problems occur, change fuel providers or brands. This engine is certified to operate on gasoline. The emissions control system for carbureted engines is EM (Engine Modifications). The emissions control systems for engines with electronic fuel injection are ECM (Engine Control Module), MFI (Multiport Fuel Injection), TBI (Throttle Body Fuel Injection) and if equipped an O2S (Oxygen Sensor).

High Altitude

At altitudes over 5,000 feet (1524 meters), a minimum 85 octane/85 AKI (89 RON) gasoline is permitted.

For carbureted engines, high altitude adjustment is required to maintain performance. Operation without this adjustment will cause decreased performance, increased fuel consumption, and increased emissions. Contact a Briggs & Stratton Authorized Service Dealer for high altitude adjustment information. Operation of the engine at altitudes below 2,500 feet (762 meters) with the high altitude adjustment is not recommended.

For Electronic Fuel Injection (EFI) engines, no high altitude adjustment is necessary.

Add Fuel



WARNING

Fuel and its vapors are flammable and explosive. Fire or explosion could result in burns or death.

When you add fuel

- Stop the engine. Before you remove the fuel cap, wait a minimum of two (2) minutes to make sure that the engine is cool.
- Fill the fuel tank outdoors or in an area that has good airflow.
- Do not put too much fuel in the tank. For expansion of the fuel, do not fill above the bottom of the fuel tank neck.
- Keep fuel away from sparks, open flames, pilot lights, heat, and other ignition sources.
- Frequently examine the fuel lines, fuel tank, fuel cap, and connections for cracks or leaks. Replace damaged parts.
- If fuel spills, wait until it dries before you start the engine.

1. Clean the fuel cap area of dirt and debris. Remove the fuel cap.
2. Fill the fuel tank (A, Figure 6) with fuel. Because fuel will expand, do not fill above the bottom of the fuel tank neck (B).
3. Install the fuel cap.

Start the Engine



WARNING

Fast retraction of the starter cord (kickback) will pull your hand and arm to the engine faster than you can let go. Broken bones, fractures, bruises or sprains could result. To prevent kickback when you start the engine, pull the starter cord slowly until resistance is felt and then pull quickly.



WARNING

Gaseous vapors are flammable and explosive. Fire or explosion could result in burns or death.

When you start the engine

- Make sure that the spark plug, muffler and air cleaner (if equipped) are correctly installed.
- Do not crank the engine with the spark plug removed.
- If there is natural or LP gas leakage in the area, do not start the engine.

**WARNING**

POISONOUS GAS HAZARD. Engine exhaust contains carbon monoxide, a poisonous gas that could kill you in minutes. Although you do not smell exhaust fumes, you could still be exposed to dangerous carbon monoxide gas. If you feel sick, dizzy, or weak while you use this product, get to fresh air RIGHT AWAY. See a doctor. You may have carbon monoxide poisoning.

- Carbon monoxide gas can collect in occupied spaces. To reduce the risk of carbon monoxide gas, ONLY operate this product outdoors and far away from windows, doors and vents.
- Install battery-operated carbon monoxide alarms or plug-in carbon monoxide alarms with battery back-up as specified by the manufacturer's instructions. Smoke alarms cannot sense carbon monoxide gas.
- DO NOT operate this product in homes, garages, basements, crawlspaces, sheds, or other closed spaces, even if you use fans or open doors and windows for ventilation. After the operation of this product, carbon monoxide can quickly collect in these spaces and stay for hours.
- ALWAYS put this product downwind and point the engine exhaust away from occupied spaces.

NOTICE

This engine was shipped from Briggs & Stratton without oil. Equipment manufacturers or dealers could have added oil to the engine. Before you start the engine for the first time, make sure that the oil is at the correct level. Add oil as specified by the instructions in this manual. If you start the engine without oil, damage will occur and the engine will not be repaired under warranty.

1. Check the engine oil. See the **Check Oil Level** section.
2. Make sure that the equipment drive controls, if installed, are disengaged.
3. Move the fuel or ignition lever (A, Figure 7), if installed, to the ON or START position.
4. Move the throttle control (B, Figure 7), if installed, to the FAST position. Operate the engine in the FAST position.
5. Move the choke control (C, Figures 7, 8) to the CLOSED position

NOTE: The choke is usually not necessary when you start a warm engine.

6. Move the stop switch (E, Figure 8), if installed, to the ON position.
7. **Rewind Start, if installed:** Tightly hold the starter cord handle (D, Figures 7, 8). Pull the starter cord handle slowly until resistance is felt, then pull quickly.

**WARNING**

Fast retraction of the starter cord (kickback) will pull your hand and arm to the engine faster than you can let go. Broken bones, fractures, bruises or sprains could result. To prevent kickback when you start the engine, pull the starter cord slowly until resistance is felt and then pull quickly.

8. **Electric Start, if installed:** Turn the electric start switch (F, Figure 8) to the ON or START position.

NOTICE

To extend the life of the starter, use short start cycles (five seconds maximum). Wait one minute between start cycles.

9. As the engine warms, move the choke control (C, Figures 7, 8), if installed, to the OPEN position.

If the engine does not start after 3 or 4 times, contact your local dealer or go to vanguardpower.com or call 1-800-999-9333.

Stop the Engine

**WARNING**

Fuel and its vapors are flammable and explosive. Fire or explosion could result in burns or death.

- Do not choke the carburetor (if equipped) to stop the engine.
1. **Stop Switch, if installed:** Move the stop switch (E, Figure 9) to the STOP position.
 2. **Fuel and Ignition Lever, if installed:** Move the fuel and ignition lever (A, Figure 10) to the OFF or STOP position.
 3. **Electric Start, if installed:** Remove the key, and keep it out of reach of children.

Maintenance Maintenance Information

**WARNING**

Fuel and its vapors are flammable and explosive. Fire or explosion could result in burns or death.

During maintenance if it is necessary to tilt the unit, make sure that the fuel tank, if mounted on the engine, is empty and that the spark plug side is up. If the fuel tank is not empty, leakage can occur and could result in a fire or an explosion. If the engine is tilted in a different direction, it will not easily start because of oil or fuel contamination of the air filter or the spark plug.

**WARNING**

Accidental engine spark can cause an electric shock, fire or explosion and could result in entanglement, traumatic amputation or laceration.

Before you make adjustments or repairs:

- Disconnect all spark plug wires and keep them away from the spark plugs.
- Disconnect the battery wire from the negative battery terminal (only engines with electric start).
- Use only the correct tools.

When you check for spark:

- Use an approved spark plug tester.
- Do not check for spark with the spark plug removed.

**WARNING**

Replacement parts must be of the same design and installed in the same position as the original parts. Other parts could result in damage or an injury.

NOTICE

All the components used to build this engine must remain in place for correct operation.

See a Briggs & Stratton Authorized Service Dealer for all maintenance and servicing of the engine and engine parts.

Maintenance Schedule

First 5 Hours
<ul style="list-style-type: none"> • Change engine oil¹.
Intervals of 8 Hours or Daily
<ul style="list-style-type: none"> • Check the engine oil level. • Clean the area around the muffler and controls. • Clean the air intake grille.
Intervals of 25 Hours or Annually
<ul style="list-style-type: none"> • Clean the air filter¹. • Clean the pre-cleaner.
Intervals of 50 Hours or Annually
<ul style="list-style-type: none"> • Change the engine oil. • Service the exhaust system.
Intervals of 100 Hours or Annually
<ul style="list-style-type: none"> • Change gear reduction oil (if installed).
Annually
<ul style="list-style-type: none"> • Replace the spark plug. • Replace the air filter. • Replace the pre-cleaner. • Service the cooling system¹. • Check the valve clearance².

¹ Clean more frequently in dusty conditions or when many particles are in the air.

²Not necessary unless engine performance problems occur.

Emissions Control Service

For maintenance, replacement, or repair of emissions control devices and systems, contact a qualified off-road engine repair establishment or service technician. However, for "no charge" emissions control service, the work must be done by a factory authorized dealer. Refer to the Emissions Control Statements.

Carburetor and Engine Speed

Do not make adjustments to the carburetor, governor spring, linkages, or other parts to adjust the engine speed. If adjustments are necessary, contact a Briggs & Stratton Authorized Service Dealer for servicing.

NOTICE

The equipment manufacturer specifies the maximum speed for the engine as installed on the equipment. Do not exceed this speed. If you are not sure what the equipment maximum speed is, or what the engine speed is set to from the factory, contact a Briggs & Stratton Authorized Service Dealer for assistance. For safe and correct operation of the equipment, the engine speed should only be adjusted by a qualified service technician.

Servicing the Spark Plug

Check the spark plug gap (A, Figure 11) with a wire gauge (B). If necessary, set the spark plug gap. Install and tighten the spark plug to the correct torque. For gap and torque specifications, refer to the **Specifications** section.

Servicing the Exhaust System



WARNING During operation, the engine and muffler become hot. If you touch a hot engine, thermal burns can occur.

Combustible materials, such as leaves, grass and brush, can catch fire.

- Before you touch the engine or muffler, stop the engine and wait two (2) minutes. Make sure that the engine and muffler are safe to touch.
- Remove debris from the muffler and engine.

It is a violation of California Public Resource Code, Section 4442, to use or operate the engine on any forest-covered, brush-covered, or grass-covered land unless the exhaust system is equipped with a spark arrester, as defined in section 4442, maintained in effective working order. Other states or federal jurisdictions may have similar laws; reference Federal Regulation 36 CFR Part 261.52. Contact the original equipment manufacturer, retailer, or dealer to obtain a spark arrester designed for the exhaust system installed on this engine.

Remove debris from the muffler and cylinder area. Inspect the muffler for cracks, corrosion, or other damage. Remove the deflector or the spark arrester, if equipped, and inspect for damage or carbon blockage. If damage is found, install the replacement parts before you operate the equipment.

Change Engine Oil



WARNING Fuel and its vapors are flammable and explosive. Fire or explosion could result in burns or death.

During operation, the engine and muffler become hot. If you touch a hot engine, thermal burns can occur.

- If you drain the oil from the top oil fill tube, the fuel tank must be empty. If it is not empty, fuel leakage can occur and cause a fire or an explosion.
- Before you touch the engine or muffler, stop the engine and wait two (2) minutes. Make sure that the engine and muffler are safe to touch.

Used oil is a hazardous waste product and must be discarded of correctly. Do not discard with household waste. Contact your local authorities, service center, or dealer for safe disposal or recycling facilities.

Remove Oil

1. With the engine OFF but warm, disconnect the spark plug wire (D, Figure 12), and keep it away from the spark plug (E).
2. Remove the oil drain plug (F, Figure 13). Drain the oil into an approved container.

NOTE: All of the oil drain plugs (G, Figure 13) can be installed in the engine.

3. Install and tighten the oil drain plug (F, Figure 13).

Add Oil

- Make sure the engine is level.
- Clean the oil fill area of all debris.
- Refer to the **Specifications** section for oil capacity.

1. Remove the dipstick (A, Figure 1). Remove oil from the dipstick with a clean cloth.
2. Slowly add oil into the engine oil fill (C, Figure 1). **Do not put too much oil in the engine oil fill.** Wait one minute and then check the oil level.

NOTE: Do not add oil at the quick oil drain, if equipped.

3. Install and tighten the dipstick (A, Figure 1).
4. Remove the dipstick and check the oil level. The correct oil level is at the top of the full indicator (B, Figure 1) on the dipstick.
5. Install and tighten the dipstick (A, Figure 1).
6. Connect the spark plug wire(s) to the spark plug(s). See **Remove Oil** section.

Change Gear Reduction Oil

Some engines are equipped with a Gear Reduction Unit. If equipped, refer to the steps for one of the Gear Reduction Units that follow.

2:1 Chain Reduction Unit

If the engine is installed with a 2:1 chain reduction unit (G, Figure 14), an oil change is not necessary. The oil in the engine also lubricates the chain reduction unit.

6:1 Gear Reduction Unit

If your engine is equipped with a 6:1 gear reduction unit, do the steps that follow:

1. Remove the oil fill plug (A, Figure 15) and the oil level plug (B).
2. Remove the oil drain plug (C, Figure 15) and drain the oil into an approved container.
3. Install and tighten the oil drain plug (C, Figure 15).
4. Slowly add gear reduction oil (80W-90) into the oil fill hole (D, Figure 15). Continue to add the gear reduction oil (80W-90) until the oil comes out of the oil level hole (E).
5. Install and tighten the oil level plug (B, Figure 15).
6. Install and tighten the oil fill plug (A, Figure 15).

NOTE: The oil fill plug (A, Figure 15) has a vent hole (F) and must be installed on the top of the gear case cover as shown.

Servicing the Air Filter



WARNING Fuel vapors are flammable and explosive. Fire or explosion could result in burns or death.

- Do not start and operate the engine with the air cleaner assembly (if equipped) or the air filter (if equipped) removed.

NOTICE

Do not use pressurized air or solvents to clean the filter. Pressurized air could result in damage to the filter and solvents will dissolve the filter.

See the **Maintenance Schedule** for servicing requirements.

Different models will use a foam or a paper filter. Some models could also have an optional pre-cleaner that can be cleaned and used again. Compare the illustrations in this manual with the type installed on your engine and service as follows.

Foam Air Filter

1. Loosen the fastener(s) (A, Figure 16).
2. Remove the cover (B, Figure 16), fastener (D) and washer (E).
3. Remove the foam element (C, Figure 16) from the air filter base (G).
4. Remove the support cup (F, Figure 16) from the foam element (C).
5. Clean the foam element (C, Figure 16) in liquid detergent and water. Squeeze dry the foam element in a clean cloth.
6. Soak the foam element (C, Figure 16) in clean engine oil. To remove the unwanted engine oil, squeeze the foam element with a clean cloth.
7. Install the support cup (F, Figure 16) into the foam element (C).
8. Install the foam element (C, Figure 16) to the air filter base (G) and onto the stud (H). Make sure that the foam element is correctly assembled to the air filter base with a washer (E) and fastener (D).
9. Install the cover (B, Figure 16) with the fastener(s) (A). Make sure that the fastener(s) is tight.

Paper Air Filter

1. Loosen the fastener(s) (A, Figure 17).
2. Remove the cover (B, Figure 17) and fastener (E).
3. Slowly remove the pre-cleaner (D, Figure 17), if installed, and the air filter (C) from the air filter base (F).

- Lightly tap the air filter (C, Figure 17) on a hard surface. If the filter is dirty, replace it.
- Remove the pre-cleaner (D, Figure 17), if installed, from the air filter (C).
- Clean the pre-cleaner (D, Figure 17) in liquid detergent and water. Make sure that the pre-cleaner fully dry. **DO NOT** lubricate the pre-cleaner.
- Assemble the dry pre-cleaner (D, Figure 17), if installed, to the air filter (C).
- Install the steel washer (H, Figure 17), the air filter (C), and the pre-cleaner (D), if installed, to the air filter base (F) and onto the stud (G). Make sure that the air filter is correctly assembled to the air filter base with a fastener (E).
- Install the cover (B, Figure 17) with the fastener(s) (A). Make sure that the fastener(s) is tight.

Paper Air Filter

- Loosen the fastener(s) (D, Figure 18).
- Remove the cover (A, Figure 18).
- Remove the pre-cleaner (C, Figure 18), if equipped, and the filter (B).
- To loosen debris, lightly tap the filter (B, Figure 18) on a hard surface. If the filter is dirty, replace it with a new filter.
- Clean the pre-cleaner (C, Figure 18), if equipped, in liquid detergent and water. Let the pre-cleaner fully air dry. **DO NOT** lubricate the pre-cleaner.
- Install the dry pre-cleaner (C, Figure 18), if equipped, and the filter (B).
- Install the cover (A, Figure 18) and attach with fastener(s) (D). Make sure that the fastener(s) is tight.

Servicing the Fuel System



WARNING
Fuel and its vapors are flammable and explosive. Fire or explosion could result in burns or death.

- Keep fuel away from sparks, open flames, pilot lights, heat, and other ignition sources.
- Frequently examine the fuel lines, fuel tank, fuel cap, and connections for cracks or leaks. Replace damaged parts.
- If fuel spills, wait until it dries before you start the engine.

Fuel Filter, if installed

- Before you replace the fuel filter (A, Figure 19), drain the fuel tank or close the fuel shut-off valve. If the fuel tank is not drained, fuel leakage can occur and cause a fire or explosion.
- Squeeze the tabs (B, Figure 19) on the clamps (C) with pliers. Move the clamps away from the fuel filter (A).
- Twist and pull the fuel lines (D, Figure 19) off of the fuel filter.
- Examine the fuel lines (D, Figure 19) for cracks or leaks. If it is necessary, replace the fuel lines.
- Replace the fuel filter (A, Figure 19).
- Attach the fuel lines (D, Figure 19) with clamps (C).

Fuel Strainer, if installed

- Remove the fuel cap (A, Figure 20).
- Remove the fuel strainer (B, Figure 20).
- If the fuel strainer is dirty, clean or replace it. If you replace the fuel strainer, make sure to use an original equipment replacement fuel strainer.

Storage Fuel System

Refer to Figure: 21.



WARNING
Fuel and its vapors are flammable and explosive. Fire or explosion could result in burns or death.

Fuel Storage

- Because pilot lights or other ignition sources can cause explosions, keep fuel or equipment away from furnaces, stoves, water heaters or other appliances that have pilot lights.

Keep the engine level (normal operating position). Fill the fuel tank (A, Figure 21) with fuel. For fuel expansion, do not fill above the fuel tank neck (B).

Fuel can become stale when kept in a storage container for more than 30 days. The use of an alcohol-free fuel stabilizer and ethanol treatment in the fuel storage container is recommended to prevent fuel degradation and keep the fuel fresh.

When you fill the fuel container with fuel, add an alcohol-free fuel stabilizer as specified by the manufacturer's instructions. If gasoline in the engine has not been treated with a fuel stabilizer, it must be drained into an approved container. Operate the engine until it is out of fuel.

Engine Oil

While the engine is still warm, change the engine oil. Refer to **Change the Engine Oil** section.

Troubleshooting Assistance

For assistance, contact your local dealer or go to **BRIGGSandSTRATTON.COM** or call **1-800-444-7774** (in USA).

Specifications Specifications and Service Parts

Model: 130000	
Displacement	12.48 ci (205 cc)
Bore	2.688 in (68,28 mm)
Stroke	2.2 in (55,88 mm)
Oil Capacity	20 - 22 oz (.59 - .65 L)
Gear Reduction Oil Type	80W-90
Gear Reduction Oil Capacity	4 oz (.12 L)
Spark Plug Gap	.030 in (.76 mm)
Spark Plug Torque	180 lb-in (20 Nm)
Armature Air Gap	.010 - .014 in (.25 - .36 mm)
Intake Valve Clearance	.004 - .006 in (.10 - .15 mm)
Exhaust Valve Clearance	.009 - .011 in (.23 - .28 mm)

Model: 190000	
Displacement	18.63 ci (305 cc)
Bore	3.120 in (79,24 mm)
Stroke	2.2 in (55,88 mm)
Oil Capacity	26 - 28 oz (.77 - .83 L)
Gear Reduction Oil Type	SAE 30
Gear Reduction Oil Capacity	12 oz (.35 L)
Spark Plug Gap	.030 in (.76 mm)
Spark Plug Torque	180 lb-in (20 Nm)
Armature Air Gap	.010 - .014 in (.25 - .36 mm)
Intake Valve Clearance	.004 - .006 in (.10 - .15 mm)
Exhaust Valve Clearance	.004 - .006 in (.10 - .15 mm)

Engine power will decrease 3.5% for each 1,000 feet (300 meters) above sea level and 1% for each 10° F (5.6°C) above 77°F (25°C). The engine will operate satisfactorily at an angle up to 15°. Refer to the equipment Operator's Manual for safe permitted operating limits on slopes.

Service Parts - Models: 130000, 190000	
Service Part	Part Number
Foam Air Filter (Model 130000, Figure 17)	797376
Paper Air Filter (Model 130000, Figure 17)	797033
Pre-cleaner (Model 130000, Figure 17)	798513
Paper Air Filter (Model 190000, Figure 18)	797032
Pre-cleaner (Model 190000, Figure 18)	798795
Paper Air Filter (Figure 19)	474279
Pre-cleaner (Figure 19)	491435S
Spark Plug	491055S

Service Parts - Models: 130000, 190000

Spark Plug Wrench	19576S, 5402
Spark Tester	84003327

We recommend that you see a Briggs & Stratton Authorized Dealer for maintenance and servicing of the engine and engine parts.

Power Ratings

The gross power rating for individual gasoline engine models is labeled in accordance with SAE (Society of Automotive Engineers) code J1940 Small Engine Power & Torque Rating Procedure, and is rated in accordance with SAE J1995. Torque values are derived at 2600 RPM for those engines with "rpm" called out on the label and 3060 RPM for all others; horsepower values are derived at 3600 RPM. The gross power curves can be viewed at www.BRIGGSandSTRATTON.COM. Net power values are taken with exhaust and air cleaner installed whereas gross power values are collected without these attachments. Actual gross engine power will be higher than net engine power and is affected by, among other things, ambient operating conditions and engine-to-engine variability. Given the wide array of products on which engines are placed, the gasoline engine may not develop the rated gross power when used in a given piece of power equipment. This difference is due to a variety of factors including, but not limited to, the variety of engine components (air cleaner, exhaust, charging, cooling, carburetor, fuel pump, etc.), application limitations, ambient operating conditions (temperature, humidity, altitude), and engine-to-engine variability. Due to manufacturing and capacity limitations, Briggs & Stratton may substitute an engine of higher rated power for this engine.

Warranty

Briggs & Stratton® Engine Warranty

Effective August 2022

Limited Warranty

Briggs & Stratton warrants that, during the warranty period specified below, it will repair or replace, free of charge, with a new, reconditioned or re-manufactured part, at the sole discretion of Briggs & Stratton, any part that is defective in material or workmanship or both. Transportation charges on product submitted for repair or replacement under this warranty must be borne by purchaser. This warranty is effective for and is subject to the time periods and conditions stated below. For warranty service, find the nearest Authorized Service Dealer in our dealer locator map at BRIGGSandSTRATTON.COM. The purchaser must contact the Authorized Service Dealer, and then make the product available to the Authorized Service Dealer for inspection and testing.

There is no other express warranty. Implied warranties, including those of merchantability and fitness for a particular purpose, are limited to one year from purchase, or to the extent permitted by law. All other implied warranties are excluded. Liability for incidental or consequential damages are excluded to the extent exclusion is permitted by law. Some states or countries do not allow limitations on how long an implied warranty lasts, and some states or countries do not allow the exclusion or limitation of incidental or consequential damages, so the above limitation and exclusion may not apply to you. This warranty gives you specific legal rights and you may also have other rights which vary from state to state and country to country.

Standard Warranty Terms ^{1, 2}
Vanguard®; Commercial Series
Consumer Use - 36 months
Commercial Use - 36 months
XR Series
Consumer Use - 24 months
Commercial Use - 24 months
All Other Engines Featuring Dura-Bore™ Cast Iron Sleeve
Consumer Use - 24 months
Commercial Use - 12 months
All Other Engines
Consumer Use - 24 months
Commercial Use - 3 months

¹These are our standard warranty terms, but occasionally there may be additional warranty coverage that was not determined at time of publication. For a listing of current warranty terms for your engine, go to BRIGGSandSTRATTON.COM or contact your Briggs & Stratton Authorized Service Dealer.

²There is no warranty for engines on equipment used for prime power in place of a utility; standby generators used for commercial purposes, utility vehicles exceeding 25 MPH, or engines used in competitive racing or on commercial or rental tracks.

* In Australia - Our goods come with guarantees that cannot be excluded under the Australian Consumer Law. You are entitled to a replacement or refund for a major

failure and for compensation for any other reasonably foreseeable loss or damage. You are also entitled to have the goods repaired or replaced if the goods fail to be of acceptable quality and the failure does not amount to a major failure. For warranty service, find the nearest Authorized Service Dealer in our dealer locator map at BRIGGSandSTRATTON.COM, or by calling 1300 274 447, or by emailing or writing to salesenquiries@briggsandstratton.com.au, Briggs & Stratton Australia Pty Ltd, 1 Moorebank Avenue, Moorebank, NSW, Australia, 2170.

The warranty period begins on the date of purchase by the first retail consumer or commercial end user, and continues for the period of time stated in the table above. "Consumer use" means personal residential household use by a retail consumer. "Commercial use" means all other uses, including use for commercial, income producing or rental purposes. Once an engine has experienced commercial use, it shall thereafter be considered as a commercial use engine for purposes of this warranty.

No warranty registration is necessary to obtain warranty on Briggs & Stratton products. Save your proof of purchase receipt. If you do not provide proof of the initial purchase date at the time warranty service is requested, the manufacturing date of the product will be used to determine the warranty period.

About Your Warranty

This limited warranty covers engine-related material and/or workmanship issues only, and not replacement or refund of the equipment to which the engine may be mounted. Routine maintenance, tune-ups, adjustments, or normal wear and tear are not covered under this warranty. Similarly, warranty is not applicable if the engine has been altered or modified or if the engine serial number has been defaced or removed. This warranty does not cover engine damage or performance problems caused by:

1. The use of parts that are not original Briggs & Stratton parts;
2. Operating the engine with insufficient, contaminated, or an incorrect grade of lubricating oil;
3. The use of contaminated or stale fuel, gasoline formulated with ethanol greater than 10%, or the use of alternative fuels such as liquefied petroleum or natural gas on engines not originally designed/manufactured by Briggs & Stratton to operate on such fuels;
4. Dirt which entered the engine because of improper air cleaner maintenance or reassembly;
5. Striking an object with the cutter blade of a rotary lawn mower, loose or improperly installed blade adapters, impellers, or other crankshaft coupled devices, or excessive v-belt tightness;
6. Associated parts or assemblies such as clutches, transmissions, equipment controls, etc., which are not supplied by Briggs & Stratton;
7. Overheating due to grass clippings, dirt and debris, or rodent nests which plug or clog the cooling fins or flywheel area, or by operating the engine without sufficient ventilation;
8. Excessive vibration due to over-speeding, loose engine mounting, loose or unbalanced cutter blades or impellers, or improper coupling of equipment components to the crankshaft;
9. Misuse, lack of routine maintenance, shipping, handling, or warehousing of equipment, or improper engine installation.

Warranty service is available only through Briggs & Stratton Authorized Service Dealers. Locate your nearest Authorized Service Dealer in our dealer locator map at BRIGGSandSTRATTON.COM or by calling 1-800-444-7774 (in USA).

80114782 (Revision A)

Briggs & Stratton Emissions Warranty

California, U.S. EPA, and Briggs & Stratton, LLC Emissions Control Warranty - Your Warranty Rights and Obligations For Briggs & Stratton Engine Models with "F" Trim Designation (Model-Type-Trim Representation xxxxxx xxxx Fx)

The California Air Resources Board, U.S. EPA, and Briggs & Stratton (B&S) are pleased to explain the exhaust and evaporative emissions ("emissions") control system warranty on your 2022-2024 engine. In California, new equipment that use small off-road engines must be designed, built, and equipped to meet the State's stringent anti-smog standards. B&S must warrant the emissions control system on your engine/equipment for the periods of time listed below provided there has been no abuse, neglect or improper maintenance of your small off-road engine or equipment leading to the failure of the emissions control system.

Your emissions control system may include parts such as the carburetor or fuel-injection system, the ignition system, catalytic converter, fuel tanks, fuel lines (for liquid fuel and fuel vapors), fuel caps, valves, canisters, filters, clamps and other associated components. Also included may be hoses, belts, connectors, and other emission-related assemblies.

Where a warrantable condition exists, B&S will repair your engine/equipment at no cost to you including diagnosis, parts, and labor.

Manufacturer's Warranty Coverage:

The exhaust and evaporative emissions control system on your engine/equipment is warranted for two years. If any evaporative emission-related part on your engine/equipment is defective, the part will be repaired or replaced by B&S.

Owner's Warranty Responsibilities:

- As the engine/equipment owner, you are responsible for the performance of the required maintenance listed in your owner's manual. B&S recommends that you retain all receipts covering maintenance on your engine, but B&S cannot deny warranty coverage solely for the lack of receipts or for your failure to ensure the performance of all scheduled maintenance.
- As the engine/equipment owner, you should however be aware that B&S may deny you warranty coverage if your engine/equipment or a part has failed due to abuse, neglect, or improper maintenance or unapproved modifications.
- You are responsible for presenting your engine/equipment to a B&S distribution center or service center as soon as the problem exists. The warranty repairs shall be completed in a reasonable amount of time, not to exceed 30 days. If you have a question regarding your warranty rights and responsibilities, you should contact B&S at 1-800-444-7774 (in USA) or BRIGGSandSTRATTON.COM.

Briggs & Stratton Emissions Control Warranty Provisions

The following are specific provisions relative to your Emissions Control Warranty Coverage. It is in addition to the B&S engine warranty for non-regulated engines found in the Operator's Manual.

1. Warranted Emissions Parts

Coverage under this warranty extends only to the parts listed below (the emissions control systems parts) to the extent these parts were present on the B&S engine and/or B&S supplied fuel system.

a. Fuel Metering System

- Cold start enrichment system (soft choke)
- Carburetor or fuel injection system
- Oxygen sensor
- Electronic control unit
- Fuel pump module
- Fuel line (for liquid fuel and fuel vapors), fuel line fittings, clamps
- Fuel tank, cap and tether
- Carbon canister and mounting bracket
- Pressure relief valves
- Liquid/Vapor separator

b. Air Induction System

- Air cleaner
- Intake manifold
- Purge and vent line

c. Ignition System

- Spark plug(s)
- Magneto ignition system

d. Catalyst System

- Catalytic converter
- Exhaust manifold
- Air injection system or pulse valve

e. Miscellaneous Items Used in Above Systems

- Vacuum, temperature, position, time sensitive valves and switches
- Connectors and assemblies
- Electronic controls

2. Length of Coverage

Coverage is for a period of two years from the date of delivery to an ultimate purchaser, or for the time period listed in the respective engine or product warranty statement, whichever is greater. B&S warrants to the original purchaser and each subsequent purchaser that the engine is designed, built, and equipped so as to conform with all applicable regulations adopted by the Air Resources Board; that it is free from defects in material and workmanship that could cause the failure of a warranted part; and that it is identical in all material respects to the engine described in the manufacturer's application for certification. The warranty period begins on the date the engine or equipment is delivered to an ultimate purchaser.

The warranty on emissions-related parts is as follows:

- Any warranted part that is not scheduled for replacement as required maintenance in the Operator's Manual supplied, is warranted for the warranty period stated above. If any such part fails during the period of warranty coverage, the part will be repaired or replaced by B&S at no charge to the owner. Any such part repaired or replaced under the warranty will be warranted for the remaining warranty period.

- Any warranted part that is scheduled only for regular inspection in the Operator's Manual supplied, is warranted for the warranty period stated above. Any such part repaired or replaced under warranty will be warranted for the remaining warranty period.
- Any warranted part that is scheduled for replacement as required maintenance in the Operator's Manual supplied, is warranted for the period of time prior to the first scheduled replacement point for that part. If the part fails prior to the first scheduled replacement, the part will be repaired or replaced by B&S at no charge to the owner. Any such part repaired or replaced under warranty will be warranted for the remainder of the period prior to the first scheduled replacement point for the part.
- Add-on or modified parts that are not exempted by the Air Resources Board may not be used. The use of any non-exempted add-on or modified parts by the owner will be grounds for disallowing a warranty claim. The manufacturer will not be liable for warranty failures of warranted parts caused by the use of a non-exempted add-on or modified part.

3. Consequential Coverage

Coverage shall extend to the failure of any engine components caused by the failure of any warranted emissions parts.

4. Claims and Coverage Exclusions

Warranty claims shall be filed according to the provisions of the B&S engine warranty policy. Warranty coverage does not apply to failures of emissions parts that are not original equipment B&S parts or to parts that fail due to abuse, neglect, or improper maintenance as set forth in the B&S engine warranty policy. B&S is not liable for warranty coverage of failures of emissions parts caused by the use of add-on or modified parts.

Look For Relevant Emissions Durability Period and Air Index Information On Your Small Off-Road Engine Emissions Label

Engines that are certified to meet the California Air Resources Board (CARB) small off-road Emissions Standard must display information regarding the Emissions Durability Period and the Air Index. Briggs & Stratton makes this information available to the consumer on our emissions labels. The engine emissions label will indicate certification information.

The **Emissions Durability Period** describes the number of hours of actual running time for which the engine is certified to be emissions compliant, assuming proper maintenance in accordance with the Operator's Manual. The following categories are used:

Moderate:

Engines at or less than 80 cc displacement are certified to be emissions compliant for 50 hours of actual engine running time. Engines greater than 80 cc displacement are certified to be emissions compliant for 125 hours of actual engine running time.

Intermediate:

Engines at or less than 80 cc displacement are certified to be emissions compliant for 125 hours of actual engine running time. Engines greater than 80 cc displacement are certified to be emissions compliant for 250 hours of actual engine running time.

Extended:

Engines at or less than 80 cc displacement are certified to be emissions compliant for 300 hours of actual engine running time. Engines greater than 80 cc displacement are certified to be emissions compliant for 500 hours of actual engine running time.

For example, a typical walk-behind lawn mower is used 20 to 25 hours per year. Therefore, the **Emissions Durability Period** of an engine with an **intermediate** rating would equate to 10 to 12 years.

Briggs & Stratton engines are certified to meet the United States Environmental Protection Agency (USEPA) Phase 2 or Phase 3 emissions standards. The Emissions Compliance Period referred to on the Emissions Compliance label indicates the number of operating hours for which the engine has been shown to meet Federal emissions requirements.

For engines at or less than 80 cc displacement:

Category C = 50 hours, Category B = 125 hours, Category A = 300 hours

For engines greater than 80 cc displacement and less than 225 cc displacement:

Category C = 125 hours, Category B = 250 hours, Category A = 500 hours

For engines of 225 cc or more displacement:

Category C = 250 hours, Category B = 500 hours, Category A = 1000 hours

80111491 (Revision A)

Briggs & Stratton Emissions Warranty

California, U.S. EPA, and Briggs & Stratton, LLC Emissions Control Warranty - Your Warranty Rights and Obligations
For Briggs & Stratton Engine Models with "B" or "G" Trim Designation (Model-Type-Trim Representation xxxxxx xxxx Bx or xxxxxx xxxx Gx)

The California Air Resources Board, U.S. EPA, and Briggs & Stratton (B&S) are pleased to explain the exhaust emissions (“emissions”) control system warranty on your 2022-2024 engine. In California, new small off-road engines and large spark ignited engines less than or equal to 1.0 liter must be designed, built, and equipped to meet the State’s stringent anti-smog standards. B&S must warrant the emissions control system on your engine for the periods of time listed below provided there has been no abuse, neglect or improper maintenance of your small off-road engine or equipment leading to the failure of the emissions control system.

Your emissions control system may include parts such as the carburetor or fuel-injection system, the ignition system, catalytic converter, fuel tanks, fuel lines (for liquid fuel and fuel vapors), fuel caps, valves, canisters, filters, clamps and other associated components. Also included may be hoses, belts, connectors, and other emission-related assemblies.

Where a warrantable condition exists, B&S will repair your engine at no cost to you including diagnosis, parts, and labor.

Manufacturer’s Warranty Coverage:

The exhaust emissions control system on your engine is warranted for two years. If any emissions-related part on your engine is defective, the part will be repaired or replaced by B&S.

Owner’s Warranty Responsibilities:

- As the engine owner, you are responsible for the performance of the required maintenance listed in your owner’s manual. B&S recommends that you retain all receipts covering maintenance on your engine, but B&S cannot deny warranty coverage solely for the lack of receipts or for your failure to ensure the performance of all scheduled maintenance.
- As the engine owner, you should however be aware that B&S may deny you warranty coverage if your engine or a part has failed due to abuse, neglect, or improper maintenance or unapproved modifications.
- You are responsible for presenting your engine to a B&S distribution center or service center as soon as the problem exists. The warranty repairs shall be completed in a reasonable amount of time, not to exceed 30 days. If you have a question regarding your warranty rights and responsibilities, you should contact B&S at 1-800-444-7774 (in USA) or BRIGGSandSTRATTON.COM.

Briggs & Stratton Emissions Control Warranty Provisions

The following are specific provisions relative to your Emissions Control Warranty Coverage. It is in addition to the B&S engine warranty for non-regulated engines found in the Operator’s Manual.

1. Warranted Emissions Parts
Coverage under this warranty extends only to the parts listed below (the emissions control systems parts) to the extent these parts were present on the B&S engine.
 - a. Fuel Metering System
 - Cold start enrichment system (soft choke)
 - Carburetor or fuel injection system
 - Oxygen sensor
 - Electronic control unit
 - Fuel pump module
 - b. Air Induction System
 - Air cleaner
 - Intake manifold
 - c. Ignition System
 - Spark plug(s)
 - Magneto ignition system
 - d. Catalyst System
 - Catalytic converter
 - Exhaust manifold
 - Air injection system or pulse valve
 - e. Miscellaneous Items Used in Above Systems
 - Vacuum, temperature, position, time sensitive valves and switches
 - Connectors and assemblies
 - Electronic controls

2. Length of Coverage
Coverage is for a period of two years from the date of delivery to an ultimate purchaser, or for the time period listed in the respective engine or product warranty statement, whichever is greater. B&S warrants to the original purchaser and each subsequent purchaser that the engine is designed, built, and equipped so as to conform with all applicable regulations adopted by the Air Resources Board; that it is free from defects in material and workmanship that could cause the failure of a warranted part; and that it is identical in all material respects to the engine described in the manufacturer’s application for certification. The warranty period begins on the date the engine or equipment is delivered to an ultimate purchaser.

The warranty on emissions-related parts is as follows:

- Any warranted part that is not scheduled for replacement as required maintenance in the Operator’s Manual supplied, is warranted for the warranty period stated above. If any such part fails during the period of warranty coverage, the part will be repaired or replaced by B&S at no charge to the owner. Any such part repaired or replaced under the warranty will be warranted for the remaining warranty period.
- Any warranted part that is scheduled only for regular inspection in the Operator’s Manual supplied, is warranted for the warranty period stated above. Any such part repaired or replaced under warranty will be warranted for the remaining warranty period.
- Any warranted part that is scheduled for replacement as required maintenance in the Operator’s Manual supplied, is warranted for the period of time prior to the first scheduled replacement point for that part. If the part fails prior to the first scheduled replacement, the part will be repaired or replaced by B&S at no charge to the owner. Any such part repaired or replaced under warranty will be warranted for the remainder of the period prior to the first scheduled replacement point for the part.
- Add-on or modified parts that are not exempted by the Air Resources Board may not be used. The use of any non-exempted add-on or modified parts by the owner will be grounds for disallowing a warranty claim. The manufacturer will not be liable for warranty failures of warranted parts caused by the use of a non-exempted add-on or modified part.

3. Consequential Coverage
Coverage shall extend to the failure of any engine components caused by the failure of any warranted emissions parts.

4. Claims and Coverage Exclusions
Warranty claims shall be filed according to the provisions of the B&S engine warranty policy. Warranty coverage does not apply to failures of emissions parts that are not original equipment B&S parts or to parts that fail due to abuse, neglect, or improper maintenance as set forth in the B&S engine warranty policy. B&S is not liable for warranty coverage of failures of emissions parts caused by the use of add-on or modified parts.

Look For Relevant Emissions Durability Period and Air Index Information On Your Small Off-Road Engine Emissions Label

Engines that are certified to meet the California Air Resources Board (CARB) small off-road Emissions Standard must display information regarding the Emissions Durability Period and the Air Index. Briggs & Stratton makes this information available to the consumer on our emissions labels. The engine emissions label will indicate certification information.

The **Emissions Durability Period** describes the number of hours of actual running time for which the engine is certified to be emissions compliant, assuming proper maintenance in accordance with the Operator’s Manual. The following categories are used:

Moderate:

Engines at or less than 80 cc displacement are certified to be emissions compliant for 50 hours of actual engine running time. Engines greater than 80 cc displacement are certified to be emissions compliant for 125 hours of actual engine running time.

Intermediate:

Engines at or less than 80 cc displacement are certified to be emissions compliant for 125 hours of actual engine running time. Engines greater than 80 cc displacement are certified to be emissions compliant for 250 hours of actual engine running time.

Extended:

Engines at or less than 80 cc displacement are certified to be emissions compliant for 300 hours of actual engine running time. Engines greater than 80 cc displacement are certified to be emissions compliant for 500 hours of actual engine running time.

For example, a typical walk-behind lawn mower is used 20 to 25 hours per year. Therefore, the **Emissions Durability Period** of an engine with an **intermediate** rating would equate to 10 to 12 years.

Briggs & Stratton engines are certified to meet the United States Environmental Protection Agency (USEPA) Phase 2 or Phase 3 emissions standards. The Emissions Compliance Period referred to on the Emissions Compliance label indicates the number of operating hours for which the engine has been shown to meet Federal emissions requirements.

For engines at or less than 80 cc displacement:

Category C = 50 hours, Category B = 125 hours, Category A = 300 hours

For engines greater than 80 cc displacement and less than 225 cc displacement:

Category C = 125 hours, Category B = 250 hours, Category A = 500 hours

For engines of 225 cc or more displacement:

Category C = 250 hours, Category B = 500 hours, Category A = 1000 hours

80111486 (Revision A)

Información general



Este manual contiene información de seguridad sobre los peligros y riesgos relacionados con el motor y cómo prevenirlos. También contiene el correcto funcionamiento y mantenimiento de este motor. Es importante que lea, comprenda y obedezca estas instrucciones. **Conserve este manual para referencia futura.**

NOTA: Las figuras e ilustraciones en este manual sirven solo para información y pueden ser diferentes a su modelo. Utilice las cifras que se alinean con la configuración de su motor. Si es necesario, hable con un distribuidor de servicio autorizado.

Registre la fecha de compra, el modelo del motor, el tipo, la versión y el número de serie del motor para las piezas de repuesto. Estos números están en su motor. Consulte la sección **Características y controles**.

Fecha de compra	
Modelo del motor - Tipo - Reglaje	
Número de Serie del motor	

Información de contacto de la oficina en Europa

Si tiene preguntas relacionadas con las emisiones europeas, póngase en contacto con nuestra oficina en Europa en:

Max-Born-Straße 2, 68519 Viernheim, Alemania.

Etapa V (5) de la Unión Europea (UE): Valores del dióxido de carbono (CO2)

Ingrese CO2 en la ventana de búsqueda en BriggsandStratton.com. para encontrar los valores de dióxido de carbono de los motores de Briggs & Stratton con certificado de aprobación tipo UE.

Información de reciclaje



Recicle todos los cartones, cajas, aceite usado y baterías según lo especifiquen las regulaciones gubernamentales.

Seguridad del operador

Símbolo de alerta de seguridad y palabras de señalización



El símbolo de alerta de seguridad identifica información de seguridad sobre peligros que podrían provocar lesiones personales. Se usa una palabra de señalización (**PELIGRO**, **ADVERTENCIA**, o **PRECAUCIÓN**) para indicar la probabilidad y la gravedad potencial de las lesiones. Además, se usa un símbolo de peligro para representar el tipo de riesgo.

PELIGRO indica un riesgo que, si no se evita, **ocasionará** la muerte o lesiones graves.

ADVERTENCIA indica un riesgo que, si no se evita, **podría** ocasionar la muerte o lesiones graves.

PRECAUCIÓN indica un riesgo que, si no se evita, **podría** ocasionar lesiones menores o moderadas.

AVISO indica información que se considera importante pero que no está relacionada con un peligro.

Símbolos de peligro y significados

Información de seguridad sobre peligros que pueden conllevar a lesiones personales.	Lea y entienda el Manual del operador antes de operar y realizar mantenimientos a la unidad.
Peligro de incendio	Peligro de explosión

Peligro de descarga eléctrica	Peligro de vapores tóxicos
Peligro de superficie caliente	Peligro de retroceso violento
Peligro de amputación: piezas móviles	Nivel de combustible - Máximo No lo llene en exceso

Mensajes de seguridad



ADVERTENCIA

Este producto puede exponerlo a sustancias químicas, entre las que se incluyen emisiones de escape de motor de gasolina, reconocidas por el estado de California como causantes de cáncer, y monóxido de carbono, reconocido por el estado de California como causante de defectos de nacimiento u otros problemas reproductivos. Para obtener más información, visite www.P65Warnings.ca.gov.



ADVERTENCIA

Los motores Briggs & Stratton® no están diseñados, y no deben utilizarse, para potenciar carritos motorizados; go karts; vehículos para niños; vehículos recreativos; vehículos deportivos todo terreno (ATV); motocicletas; aerodeslizadores; equipo aeronáutico; o vehículos utilizados en eventos de competencia que no estén avalados por Briggs & Stratton. Para obtener información acerca de productos de carrera profesionales, consulte www.briggsracing.com. Para usar el motor en ATV utilitarios y side by side, comuníquese con el Centro de aplicaciones de potencia de Briggs & Stratton llamando al 1-866-927-3349. El uso incorrecto del motor podría provocar lesiones graves o la muerte.



ADVERTENCIA

El combustible y sus vapores son inflamables y explosivos. El fuego o una explosión podrían provocar quemaduras o la muerte.

Cuando agregue combustible

- Detenga el motor. Antes de quitar la tapa del combustible, espere un mínimo de dos (2) minutos para asegurarse de que el motor esté frío.
- Llene el tanque de combustible al aire libre o en un área con buena circulación de aire.
- No ponga demasiado combustible en el tanque. Para permitir la expansión del combustible, no llene el tanque de combustible arriba de la parte inferior del cuello.
- Mantenga el combustible alejado de chispas, llamas abiertas, llamas piloto, calor y otras fuentes de ignición.
- Examine frecuentemente las líneas de combustible, el tanque de combustible, la tapa del combustible y las conexiones en busca de grietas o fugas. Reemplace las piezas dañadas.
- Si el combustible se derrama, espere a que se seque antes de arrancar el motor.

Cuando arranque el motor

- Asegúrese de que la bujía, el silenciador, la tapa del combustible y el limpiador de aire (si tiene) estén correctamente instalados.
- No arranque el motor si retiró la bujía.
- Si el motor está inundado, lleve el estrangulador (si tiene) a la posición ABIERTO o MARCHA. Mueva el acelerador (si tiene) a la posición RÁPIDO y de arranque hasta que el motor se encienda.
- Si hay alguna filtración de gas natural o gas LP en el área, no arranque el motor.
- Puesto que los vapores son inflamables, no utilice fluidos de encendido presurizados.

Cuando opere el equipo

- No incline el motor o el equipo en un ángulo que cause derramamiento del combustible.
- No cebe el carburador (si tiene) para detener el motor.
- Nunca arranque u opere el motor sin el limpiador de aire (si tiene) o el filtro de aire (si tiene).

Cuando lleve a cabo mantenimiento

- Si drena el aceite desde el tubo de llenado de aceite superior, el tanque de combustible debe estar vacío. Si no está vacío, puede producirse un derrame de combustible y podría ocasionarse un incendio o una explosión.
- Durante el mantenimiento, si es necesario inclinar la unidad, asegúrese de que el tanque de combustible, si está montado en el motor, esté vacío y que el extremo del motor donde está la bujía esté elevado. Si el tanque de combustible no está vacío, puede producirse un derrame de combustible y podría ocasionarse un incendio o una explosión.
- Examine frecuentemente las líneas de combustible, el tanque de combustible, la tapa del combustible y las conexiones en busca de grietas o fugas. Reemplace las piezas dañadas.
- No cambie el resorte del regulador, las conexiones u otras piezas para aumentar la velocidad del motor.
- No golpee el volante con un martillo o un objeto duro. Esto podría provocar una falla en el volante durante la operación.
- Las piezas de repuesto deben ser del mismo diseño y deben ser instaladas en la misma posición que las piezas originales. Otras piezas podrían provocar daños o lesiones.

Cuando traslada la ubicación del equipo

- Asegúrese de que el tanque de combustible esté VACÍO o que la válvula de cierre de combustible esté en la posición CERRADA.

Cuando el combustible o el equipo está almacenado con combustible en el tanque de combustible

- Puesto que las luces piloto u otras fuentes de ignición pueden causar explosiones, mantenga el combustible o el equipo lejos de hornos, estufas, calentadores de agua u otros aparatos que tengan luces piloto.



ADVERTENCIA

El combustible y sus vapores son inflamables y explosivos. El fuego o una explosión podrían provocar quemaduras o la muerte.

El arranque del motor causa una chispa que podría provocar un incendio o una explosión.

- Si hay alguna filtración de gas natural o gas LP en el área, no arranque el motor.
- Puesto que los vapores son inflamables, no utilice fluidos de encendido presurizados.



ADVERTENCIA

PELIGRO DE GAS NOCIVO. Las emisiones del motor contienen monóxido de carbono, un gas nocivo que podría causar la muerte en minutos. Aunque no huele los gases del escape, puede estar expuesto al peligroso gas de monóxido de carbono. Si usted se siente enfermo, adormecido, o débil al utilizar este producto, diríjase hacia un lugar con aire fresco DE INMEDIATO. Consulte a un médico. Es probable que se haya intoxicado con monóxido de carbono.

- El gas de monóxido de carbono puede acumularse en los espacios habitados. Para reducir el riesgo del gas de monóxido de carbono, SOLAMENTE opere este producto al aire libre, lejos de ventanas, puertas y ventilaciones.
- Instale alarmas de monóxido de carbono operadas por baterías o alarmas de monóxido de carbono para enchufar con batería de respaldo según lo que especifiquen las instrucciones del fabricante. Los detectores de humo no detectan el gas de monóxido de carbono.
- NO opere este producto en viviendas, garajes, sótanos, espacios reducidos, cobertizos u otros espacios cerrados, incluso si usa ventiladores o deja las puertas y ventanas abiertas a manera de ventilación. Después de la operación de este producto, el monóxido de carbono puede acumularse rápidamente en estos espacios y permanecer durante horas.
- SIEMPRE ubique este producto a favor del viento y mantenga el escape del motor alejado de los espacios confinados.



ADVERTENCIA

La retracción rápida del cordón del arrancador (retroceso) tirará de su mano y brazo hacia el motor más rápido de lo que puede sostenerlo. Podrían presentarse roturas en los huesos, fracturas, contusiones, o torceduras.

- Para evitar el retroceso al arrancar el motor, hale del cordón del arrancador lentamente hasta sentir resistencia y luego suéltelo rápidamente.
- Antes de arrancar el motor, desconecte o retire cualquier carga externa del motor/equipo.
- Asegúrese de que los componentes del equipo acoplados directamente, entre otros, cuchillas, propulsores, poleas y ruedas dentadas estén firmemente acoplados.



ADVERTENCIA

Las partes giratorias pueden atrapar las manos, los pies, el cabello, la ropa o los accesorios y provocar una amputación o laceración traumática.

- Opere el equipo con protectores correctamente instalados.
- Mantenga sus manos y pies alejados de las piezas giratorias.
- Qúitese las joyas y asegúrese de que el pelo largo esté apartado de todas las piezas giratorias.
- No use ropa suelta o artículos que puedan quedar atrapados.



ADVERTENCIA

Durante la operación, el motor y el silenciador se calientan. Si toca un motor caliente, pueden producirse quemaduras térmicas.

Los materiales combustibles, como hojas, césped y hierbas se pueden inflamar.

- Antes de tocar el motor o el silenciador, detenga el motor y espere dos (2) minutos. Asegúrese de que el motor y el silenciador se puedan tocar con seguridad.
- Quite los residuos del silenciador y del motor.

Es una infracción del Código de Recursos Públicos de California (California Public Resource Code), Sección 4442, utilizar u operar el motor en cualquier terreno forestal o cubierto por árboles o césped, a menos que el sistema de escape esté equipado con un supresor de chispas, en virtud de la Sección 4442, el cual se debe mantener en buenas condiciones de operación. Es posible que otros estados o jurisdicciones federales cuenten con leyes similares; consulte la Regulación Federal 36 CFR Sección 261.52. Póngase en contacto con el vendedor, el distribuidor o el fabricante del equipo original para obtener un extintor de chispas diseñado para el sistema de escape instalado en este motor.



ADVERTENCIA

La chispa accidental del motor puede provocar una descarga eléctrica, un incendio o una explosión y podría resultar en un enredo, una amputación traumática o una laceración.

Antes de que realice ajustes o reparaciones:

- Desconecte todos los cables de las bujías y manténgalos alejados de las bujías.
- Desconecte el cable de la batería del terminal negativo de la batería (solo motores con arranque eléctrico).
- Use solamente las herramientas correctas.

Cuando verifique si hay chispa:

- Use un probador de bujías aprobado.
- No revise si hay chispa con la bujía extraída.



ADVERTENCIA

Los vapores del combustible son inflamables y explosivos. El fuego o una explosión podrían provocar quemaduras o la muerte.

Si siente olor a gas

- No arranque el motor.
- No encienda interruptores eléctricos.
- No use un teléfono en las cercanías.
- Desaloje el área.
- Comuníquese con el proveedor de gas o con los bomberos.

Características y controles

Controles del motor









Compare las letras de las leyendas en las Figuras 1, 2, 3, y 4 con los controles del motor en la lista a continuación:

- Números de identificación del motor **Modelo - Tipo - Código**
- Bujía
- Tanque de combustible y tapa
- Filtro de aire
- Mango del cable de arranque
- Llenado de aceite y varilla indicadora de nivel de aceite
- Tapón de drenaje de aceite
- Silenciador, protector del silenciador (si está instalado), Supresor de chispas (si está instalado)

- I. Control del estrangulador
- J. Control del acelerador (si está instalado)
- K. TransportGuard™ - Palanca de encendido y combustible
- L. Rejilla de toma de aire
- M. Unidad de reducción de engranajes (si está instalada)
- N. Interruptor de parada (si está instalado)
- O. Interruptor de arranque eléctrico (si está instalado) ¹

¹ Algunos motores y equipos cuentan con controles remotos. Consulte el manual del equipo para conocer la ubicación y el funcionamiento de los controles remotos.

Símbolos de control del motor y significados

 Velocidad del motor - RÁPIDA	 Velocidad del motor - LENTA
 Velocidad del motor - DETENER	 ENCENDIDO/APAGADO
 Arranque del motor Estrangulador CERRADO	 Arranque del motor Estrangulador ABIERTO
 Tapa del combustible Válvula de cierre de combustible - ABIERTO	 Válvula de cierre de combustible - CERRADO

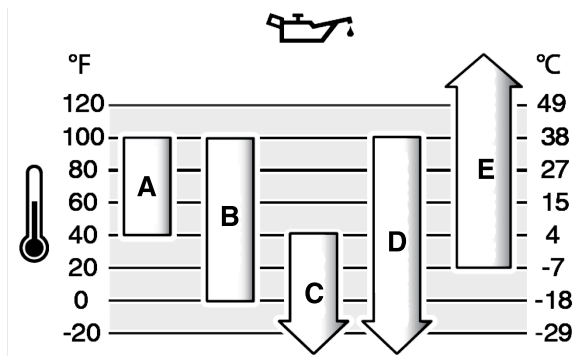
Operación

Recomendaciones sobre el aceite

Capacidad de aceite: Consulte la sección **Especificaciones**.

Recomendamos el uso de aceites Briggs & Stratton® con garantía certificada para un mejor rendimiento. Se permiten otros aceites detergentes de alta calidad, si están clasificados para servicio SF, SG, SH, SJ o superior. No use aditivos especiales.

Use el cuadro para seleccionar la mejor viscosidad para el margen de temperatura exterior que se espera. Los motores de la mayoría de los equipos eléctricos para exteriores funcionan bien con aceite sintético 5W-30. Para equipos que operan a altas temperaturas, el aceite sintético Vanguard® 15W-50 brinda la mejor protección.



A	SAE 30 - El uso de SAE 30 a temperaturas inferiores a 40 °F (4 °C) provocará dificultades de arranque.
B	10W-30 - El uso de 10W-30 a temperaturas mayores a 80 °F (27 °C) puede provocar un aumento en el consumo de aceite. Verifique el nivel de aceite con frecuencia.
C	5W-30
D	5W-30 sintético
E	Vanguard® Sintético 15W-50

Verifique el nivel de aceite

Antes de verificar o agregar aceite

- Asegúrese de que el motor esté nivelado.
- Limpie todos los desechos del área de llenado de aceite.

- Consulte la sección **Especificaciones** para obtener la capacidad de aceite.

AVISO

Este motor fue enviado desde Briggs & Stratton sin aceite. Los fabricantes o distribuidores del equipo podrían haber agregado aceite al motor. Antes de arrancar el motor por primera vez, asegúrese de que el nivel de aceite sea el correcto. Agregue el aceite como se especifica en las instrucciones de este manual. Si arrancar el motor sin aceite, se presentarán daños y la reparación del motor no estará cubierta por la garantía.

1. Retire la varilla indicadora de nivel (A, Figura 5) y séquela con un paño limpio.
2. Instale la varilla indicadora del nivel de aceite (A, Figura 5). **NO gire ni apriete la varilla indicadora de nivel de aceite.**
3. Retire la varilla y revise el nivel de aceite. Asegúrese de que el nivel de aceite esté en la parte superior del indicador de lleno (B, Figura 5) de la varilla indicadora de nivel de aceite.
4. Si el nivel de aceite es bajo, agregue aceite lentamente en el llenado de aceite del motor (C, Figura 5). No agregue demasiado aceite. Después de que agregue aceite, espere un minuto y vuelva a verificar el nivel de aceite. Asegúrese de que el nivel de aceite sea el correcto.
5. Instale y ajuste la varilla indicadora de nivel de aceite (A, Figura 5).

Sistema de protección de bajo nivel de aceite (si está instalado)

En algunos motores se ha instalado un sensor de bajo nivel de aceite. Si el nivel de aceite está bajo, el sensor mostrará una luz de advertencia o detendrá el motor. Detenga el motor y siga los pasos a continuación antes de arrancar el motor.

- Asegúrese de que el motor esté nivelado.
- Haga una comprobación del nivel de aceite. Consulte la sección **Verificación del nivel de aceite**.
- Si el nivel de aceite es bajo, agregue la cantidad correcta de aceite. Arranque el motor y asegúrese de que la luz de advertencia (si está instalada) no se encienda.
- Si el nivel de aceite es bajo, no arranque el motor. Comuníquese con un distribuidor de servicio autorizado de Briggs & Stratton para corregir el problema del aceite.

Recomendaciones acerca del combustible

El combustible debe cumplir con estos requisitos:

- Gasolina limpia, fresca y sin plomo.
- Un mínimo de 87 octanos/87 AKI (91 RON). Para uso en grandes alturas, consulte a continuación.
- Se permite gasolina con hasta un 10 % de etanol (gasohol).

AVISO

No utilice gasolina no aprobada, como la E15 y la E85. No mezcle la gasolina con aceite ni cambie el motor para usarlo con combustibles alternativos. El uso de combustibles no aprobados podría provocar daños a los componentes del motor, lo que no será reparado bajo la garantía.

Para proteger el sistema de combustible de la formación de goma y la corrosión, mezcle el combustible con un estabilizador de combustible sin alcohol y un tratamiento de etanol. Consulte la sección **Almacenamiento**. No todos los combustibles son iguales. Si ocurren problemas de arranque o de rendimiento, cambie el proveedor o la marca del combustible. Este motor está certificado para funcionar con gasolina. El sistema de control de emisiones para motores carburados es EM (modificaciones del motor). Los sistemas de control de emisiones para motores con inyección de combustible electrónica son ECM (módulo de control del motor), MPI (inyección multipuerto) y, si lo tiene, un O2S (sensor de oxígeno).

Gran altura

En alturas de más de 5000 pies (1524 metros), se permite una gasolina con un mínimo de 85 octanos/85 AKI (89 RON).

Para motores carburados, se requiere realizar el ajuste de gran altura para mantener el rendimiento. El funcionamiento sin este ajuste provocará una disminución en el rendimiento y un aumento en el consumo de combustible y en las emisiones. Comuníquese con un Distribuidor de Servicio Autorizado por Briggs & Stratton para obtener información sobre el ajuste de gran altura. No se recomienda operar la máquina a alturas menores de 2500 pies (762 metros) con el ajuste de gran altura.

En el caso de motores con inyección de combustible electrónica (EFI), no se requiere un ajuste de gran altura.

Agregar combustible



ADVERTENCIA

El combustible y sus vapores son inflamables y explosivos. El fuego o una explosión podrían provocar quemaduras o la muerte.

Cuando agregue combustible

- Detenga el motor. Antes de quitar la tapa del combustible, espere un mínimo de dos (2) minutos para asegurarse de que el motor esté frío.
 - Llene el tanque de combustible al aire libre o en un área con buena circulación de aire.
 - No ponga demasiado combustible en el tanque. Para permitir la expansión del combustible, no llene el tanque de combustible arriba de la parte inferior del cuello.
 - Mantenga el combustible alejado de chispas, llamas abiertas, llamas piloto, calor y otras fuentes de ignición.
 - Examine frecuentemente las líneas de combustible, el tanque de combustible, la tapa del combustible y las conexiones en busca de grietas o fugas. Reemplace las piezas dañadas.
 - Si el combustible se derrama, espere a que se seque antes de arrancar el motor.
1. Limpie la suciedad y los desechos en el área de la tapa de llenado de combustible. Retire la tapa de llenado de combustible.
 2. Llene el tanque de combustible (A, Figura 6) con combustible. Puesto que el combustible se expandirá, no llene más arriba de la parte inferior del cuello del tanque de combustible (B).
 3. Instale la tapa de llenado de combustible.

Arranque del motor



ADVERTENCIA

La retracción rápida de la cuerda de arranque (retroceso violento) impulsará su mano y su brazo hacia el motor antes de que pueda soltarla. Esto podría ocasionar roturas de huesos, fracturas, hematomas o torceduras. Para evitar el retroceso al arrancar el motor, hale del cordón del arrancador lentamente hasta sentir resistencia y luego suéltelo rápidamente.



ADVERTENCIA

Los vapores gaseosos son inflamables y explosivos. El fuego o una explosión podrían provocar quemaduras o la muerte.

Cuando arranque el motor

- Asegúrese de que la bujía, el silenciador y el limpiador de aire (si tiene) estén correctamente instalados.
- No arranque el motor si retiró la bujía.
- Si hay alguna filtración de gas natural o gas LP en el área, no arranque el motor.



ADVERTENCIA

PELIGRO DE GAS NOCIVO. Las emisiones del motor contienen monóxido de carbono, un gas nocivo que podría causar la muerte en minutos. Aunque no huele los gases del escape, puede estar expuesto al peligroso gas de monóxido de carbono. Si usted se siente enfermo, adormecido, o débil al utilizar este producto, diríjase hacia un lugar con aire fresco DE INMEDIATO. Consulte a un médico. Es probable que se haya intoxicado con monóxido de carbono.

- El gas de monóxido de carbono puede acumularse en los espacios habitados. Para reducir el riesgo del gas de monóxido de carbono, SOLAMENTE opere este producto al aire libre, lejos de ventanas, puertas y ventilaciones.
- Instale alarmas de monóxido de carbono operadas por baterías o alarmas de monóxido de carbono para enchufar con batería de respaldo según lo que especifiquen las instrucciones del fabricante. Los detectores de humo no detectan el gas de monóxido de carbono.
- NO opere este producto en viviendas, garajes, sótanos, espacios reducidos, cobertizos u otros espacios cerrados, incluso si usa ventiladores o deja las puertas y ventanas abiertas a manera de ventilación. Después de la operación de este producto, el monóxido de carbono puede acumularse rápidamente en estos espacios y permanecer durante horas.
- SIEMPRE ubique este producto a favor del viento y mantenga el escape del motor alejado de los espacios confinados.

AVISO

Este motor fue enviado desde Briggs & Stratton sin aceite. Los fabricantes o distribuidores del equipo podrían haber agregado aceite al motor. Antes de arrancar el motor por primera vez, asegúrese de que el nivel de aceite sea el correcto. Agregue el aceite como se especifica en las instrucciones de este manual. Si arrancar el motor sin aceite, se presentarán daños y la reparación del motor no estará cubierta por la garantía.

1. Revise el aceite del motor. Consulte la sección **Verificación del nivel de aceite**.
2. Asegúrese de que los controles de transmisión del equipo, si están instalados, estén desconectados.
3. Mueva la palanca de encendido o combustible (A, Figura 7), si está instalada, a la posición ENCENDIDO o ARRANQUE.
4. Mueva el control del acelerador (B, Figura 7), si está instalado, a la posición RÁPIDO. Opere el motor en la posición RÁPIDO.
5. Mueva el control del estrangulador (C, Figuras 7, 8) a la posición CERRADO

NOTA: Generalmente no es necesario usar el estrangulador cuando arranca un motor caliente.

6. Mueva el interruptor de detención (E, Figura 8), si está instalado, a la posición ENCENDIDO.
7. **Arranque por rebobinado, si está instalado:** Sostenga firmemente el mango del cordón del arrancador (D, Figuras 7, 8). Tire del mango del cordón del arrancador lentamente hasta sentir una resistencia y, a continuación, tire de él rápidamente.



ADVERTENCIA

La retracción rápida de la cuerda de arranque (retroceso violento) impulsará su mano y su brazo hacia el motor antes de que pueda soltarla. Esto podría ocasionar roturas de huesos, fracturas, hematomas o torceduras. Para evitar el retroceso al arrancar el motor, hale del cordón del arrancador lentamente hasta sentir resistencia y luego suéltelo rápidamente.

8. **Arranque eléctrico, si está instalado:** Gire el interruptor de arranque eléctrico (F, Figura 8) a la posición de ENCENDIDO o ARRANQUE.

AVISO

Para prolongar la vida útil del arrancador, haga ciclos cortos de arranque (cinco segundos como máximo). Espere un minuto entre los ciclos de arranque.

9. A medida que el motor se calienta, mueva el control del estrangulador (C, Figuras 7, 8), si está instalado, a la posición ABIERTO.

Si el motor no arranca después de 3 o 4 intentos, póngase en contacto con su distribuidor local o vaya a vanguardpower.com o llame 1-800-999-9333.

Detención del motor



ADVERTENCIA

El combustible y sus vapores son inflamables y explosivos. El fuego o una explosión podrían provocar quemaduras o la muerte.

- No cebe el carburador (si tiene) para detener el motor.
1. **Interruptor de detención, si está instalado:** Mueva el interruptor de detención (E, Figura 9) a la posición DETENER.
 2. **Palanca de encendido y combustible, si está instalada:** Mueva la palanca de encendido y combustible (A, Figura 10) a la posición de APAGADO o DETENER.
 3. **Arranque eléctrico, si está instalado:** Retire la llave y manténgala fuera del alcance de los niños.

Mantenimiento

Información de mantenimiento



ADVERTENCIA

El combustible y sus vapores son inflamables y explosivos. El fuego o una explosión podrían provocar quemaduras o la muerte.

Durante el mantenimiento, si es necesario inclinar la unidad, asegúrese de que el tanque de combustible, si está montado en el motor, esté vacío y que el extremo del motor donde está la bujía esté elevado. Si el tanque de combustible no está vacío, puede producirse un derrame de combustible y podría ocasionarse un incendio o una explosión. Si el motor está inclinado en una dirección diferente, no arrancará fácilmente debido a la contaminación del filtro de aire o de la bujía por aceite o combustible.



ADVERTENCIA

La chispa accidental del motor puede provocar una descarga eléctrica, un incendio o una explosión y podría resultar en un enredo, una amputación traumática o una laceración.

Antes de que realice ajustes o reparaciones:

- Desconecte todos los cables de las bujías y manténgalos alejados de las bujías.
- Desconecte el cable de la batería del terminal negativo de la batería (solo motores con arranque eléctrico).
- Use solamente las herramientas correctas.

Cuando verifique si hay chispa:

- Use un probador de bujías aprobado.
- No revise si hay chispa con la bujía extraída.



ADVERTENCIA

Las piezas de repuesto deben ser del mismo diseño y deben ser instaladas en la misma posición que las piezas originales. Otras piezas podrían provocar daños o lesiones.

AVISO

Todos los componentes usados para armar este motor deben permanecer en su lugar para un funcionamiento apropiado.

Consulte a un distribuidor de servicio autorizado de Briggs & Stratton para todo el mantenimiento y servicio del motor y las piezas del motor.

Plan de mantenimiento

Primeras 5 horas
<ul style="list-style-type: none"> • Cambie el aceite del motor¹.
Intervalos de 8 horas o diariamente
<ul style="list-style-type: none"> • Revise el nivel de aceite del motor. • Limpie el área alrededor del silenciador y los controles. • Limpie la rejilla de toma de aire.
Intervalos de 25 horas o anualmente
<ul style="list-style-type: none"> • Limpie el filtro de aire¹. • Limpie el prefiltro.
Intervalos de 50 horas o anualmente
<ul style="list-style-type: none"> • Cambie el aceite del motor. • Realice el mantenimiento del sistema de escape.
Intervalos de 100 horas o anualmente
<ul style="list-style-type: none"> • Cambie el aceite de reducción de engranajes (si está instalado).
Anualmente
<ul style="list-style-type: none"> • Reemplace la bujía. • Reemplace el filtro de aire. • Reemplace el prefiltro. • Mantenimiento del sistema de enfriamiento¹. • Verifique el espacio libre de la válvula².

¹ Limpie con más frecuencia en condiciones polvorientas o cuando haya muchas partículas en el aire.

² No es necesario a menos que se produzcan problemas de rendimiento del motor.

Mantenimiento del control de emisiones

Para el mantenimiento, la sustitución o la reparación de los dispositivos y sistemas de control de emisiones, póngase en contacto con un establecimiento de reparación de motores todo terreno calificado o con un técnico de servicio. Sin embargo, para obtener un servicio de control de emisiones "sin costo", el trabajo debe ser realizado por un distribuidor autorizado de la fábrica. Consulte las Declaraciones de Control de Emisiones.

Carburador y velocidad del motor

No realice ajustes en el carburador, el resorte del regulador, las conexiones u otras piezas para ajustar la velocidad del motor. Si se necesitan ajustes, comuníquese con un distribuidor de servicio autorizado de Briggs & Stratton para solicitar el servicio.

AVISO

El fabricante del equipo especifica la velocidad máxima del motor tal y como está instalado en el equipo. No exceda esta velocidad. Si no está seguro de la velocidad máxima del equipo o de la velocidad del motor predeterminada de fábrica, póngase en contacto con un distribuidor de servicio autorizado de Briggs & Stratton para obtener ayuda. Para una operación segura y correcta del equipo, la velocidad del motor solo debe ajustarse por un técnico de servicio calificado.

Mantenimiento de las bujías

Verifique la separación entre bujías (A, Figura 11) con un calibrador de bujías (B). Si es necesario, ajuste la separación entre bujías. Instale y apriete la bujía con el par de torsión correcto. Para obtener información acerca de las especificaciones de la separación o del par de torsión, consulte la sección **Especificaciones**.

Mantenimiento del sistema de escape



ADVERTENCIA

Durante la operación, el motor y el silenciador se calientan. Si toca un motor caliente, pueden producirse quemaduras térmicas.

Los materiales combustibles, como hojas, césped y hierbas se pueden inflamar.

- Antes de tocar el motor o el silenciador, detenga el motor y espere dos (2) minutos. Asegúrese de que el motor y el silenciador se puedan tocar con seguridad.
- Quite los residuos del silenciador y del motor.

Es una infracción del Código de Recursos Públicos de California (California Public Resource Code), Sección 4442, utilizar u operar el motor en cualquier terreno forestal o cubierto por árboles o césped, a menos que el sistema de escape esté equipado con un supresor de chispas, en virtud de la Sección 4442, el cual se debe mantener en buenas condiciones de operación. Es posible que otros estados o jurisdicciones federales cuenten con leyes similares; consulte la Regulación Federal 36 CFR Sección 261.52. Póngase en contacto con el vendedor, el distribuidor o el fabricante del equipo original para obtener un extintor de chispas diseñado para el sistema de escape instalado en este motor.

Retire los residuos del área del silenciador y del cilindro. Inspeccione el silenciador en busca de grietas, corrosión u otros daños. Retire el deflector del supresor de chispas, si tiene, e inspecciones en busca de daños u obstrucciones de carbón. Si se encuentran daños, instale las piezas de repuesto antes de operar el equipo.



ADVERTENCIA

Las piezas de repuesto deben ser del mismo diseño y deben ser instaladas en la misma posición que las piezas originales. Otras piezas podrían provocar daños o lesiones.

Cambie el aceite del motor



ADVERTENCIA

El combustible y sus vapores son inflamables y explosivos. El fuego o una explosión podrían provocar quemaduras o la muerte.

Durante la operación, el motor y el silenciador se calientan. Si toca un motor caliente, pueden producirse quemaduras térmicas.

- Si drena el aceite desde el tubo de llenado de aceite superior, el tanque de combustible debe estar vacío. Si no está vacío, puede producirse un derrame de combustible y ocasionarse un incendio o una explosión.
- Antes de tocar el motor o el silenciador, detenga el motor y espere dos (2) minutos. Asegúrese de que el motor y el silenciador se puedan tocar con seguridad.

El aceite usado es un peligroso producto de desecho y debe eliminarse correctamente. No lo descarte con los residuos domésticos. Comuníquese con sus autoridades locales, su centro de servicio o su distribuidor para conocer las instalaciones para su disposición o reciclaje seguro.

Remoción del aceite

1. Con el motor APAGADO pero aún caliente, desconecte el cable de bujía (D, Figura 12), y aléjelo de la bujía (E).
2. Retire el tapón para drenaje de aceite (F, Figura 13). Drene el aceite en un recipiente aprobado.

NOTA: Todos los tapones de drenaje de aceite (G, Figura 13) pueden estar instalados en el motor.

3. Instale y apriete el tapón de drenaje de aceite (F, Figura 13).

Agregar aceite

- Asegúrese de que el motor esté nivelado.

- Limpie todos los desechos del área de llenado de aceite.
- Consulte la sección **Especificaciones** para obtener la capacidad de aceite.

1. Retire la varilla indicadora de nivel de aceite (A, Figura 1). Quite el aceite de la varilla indicadora con un paño limpio.
2. Agregue aceite nuevo lentamente en el tubo de llenado de aceite del motor (C, Figura 1). **No ponga demasiado aceite en el llenado de aceite del motor.** Espere un minuto y compruebe el nivel de aceite.

NOTA: No agregue aceite en el drenaje rápido de aceite, si está equipado.

3. Instale y ajuste la varilla indicadora de nivel de aceite (A, Figura 1).
4. Retire la varilla y revise el nivel de aceite. El nivel de aceite debe estar en la parte superior del indicador de lleno (B, Figura 1) de la varilla indicadora de nivel de aceite.
5. Instale y ajuste la varilla indicadora de nivel de aceite (A, Figura 1).
6. Conecte el(los) cable(s) de la(s) bujía(s) a las bujía(s). Vea la sección **Remoción del aceite**

Cambio de aceite de reducción de engranajes

Algunos motores están equipados con una unidad de reducción de engranajes. Si está equipado, consulte los pasos para una de las unidades de reducción de engranajes que se indican a continuación.

2:1 Unidad de reducción de cadena

Si el motor está instalado con una unidad de reducción de cadena 2: 1 (G, Figura 14), no es necesario un cambio de aceite. El aceite en el motor también lubrica la unidad de reducción de cadena.

Unidad de reductor de engranajes 6:1

Si su motor está equipado con una unidad de reducción de engranajes 6:1, siga los pasos que se indican a continuación:

1. Retire el tapón de llenado de aceite (A, Figura 15) y el tapón de nivel de aceite (B).
2. Retire el tapón de drenaje de aceite (C, Figura 15) y drene el aceite en un recipiente aprobado.
3. Instale y apriete el tapón de drenaje de aceite (C, Figura 15).
4. Agregue lentamente aceite de reducción de engranajes (80W-90) en el orificio de llenado de aceite (D, Figura 15). Continúe agregando aceite de reducción de engranajes (80W-90) hasta que el aceite salga por el orificio de nivel de aceite (E).
5. Instale y apriete el tapón de nivel de aceite (B, Figura 15).
6. Instale y apriete el tapón de suministro de aceite (A, Figura 15).

NOTA: El tapón de llenado de aceite (A, Figura 15) tiene un orificio de ventilación (F) y debe instalarse en la parte superior de la tapa de la caja de engranajes como se muestra.

Mantenimiento del filtro de aire

ADVERTENCIA

Los vapores del combustible son inflamables y explosivos. El fuego o una explosión podrían provocar quemaduras o la muerte.

- No arranque y opere el motor sin el montaje de limpiador de aire (si tiene) o el filtro de aire (si tiene).

AVISO

No use aire presurizado ni solventes para limpiar el filtro. El aire presurizado podría dañar el filtro y los disolventes lo disolverán.

Véase el **Programa de mantenimiento** para conocer los requisitos de servicio.

Los diferentes modelos usarán un filtro de espuma o de papel. Algunos modelos también pueden tener un prefiltro opcional que se puede limpiar y volver a usar. Compare las ilustraciones de este manual con el tipo instalado en su motor y lleve a cabo el mantenimiento de la siguiente manera.

Filtro de aire de espuma

1. Afloje los sujetadores (A, Figura 16).
2. Retire la tapa (B, Figura 16), el sujetador (D) y la arandela (E).
3. Retire el elemento de espuma (C, Figura 16) de la base del filtro de aire (G).
4. Retire la copa de soporte (F, Figura 16) del elemento de espuma (C).
5. Limpie el elemento de espuma (C, Figura 16) en detergente líquido y agua. Seque el elemento de espuma apretándolo dentro de un trapo limpio.
6. Remoje el elemento de espuma (C, Figura 16) en aceite de motor limpio. Para eliminar el aceite de motor no deseado, apriete el elemento de espuma con un paño limpio.
7. Instale la copa de soporte (F, Figura 16) en el elemento de espuma (C).

8. Instale el elemento de espuma (C, Figura 16) en la base del filtro de aire (G) y en el espárrago (H). Asegúrese de que el elemento de espuma esté correctamente ensamblado a la base del filtro de aire con una arandela (E) y un sujetador (D).
9. Instale la cubierta B, Figura 16) con el(los) sujetadores (A). Asegúrese de que los sujetadores estén bien ajustados.

Filtro de aire de papel

1. Afloje los sujetadores (A, Figura 17).
2. Retire la tapa (B, Figura 17) y el sujetador (E).
3. Retire lentamente el prefiltro (D, Figura 17), si está instalado, y el filtro de aire (C) de la base del filtro de aire (F).
4. Golpee ligeramente el filtro de aire (C, Figura 17) en una superficie dura. Si el filtro está sucio, reemplácelo.
5. Retire el prefiltro (D, Figura 17), si está instalado, del filtro de aire (C).
6. Lave el prefiltro (D, Figuras 17) con detergente líquido y agua. Asegúrese de que el prefiltro esté completamente seco. **NO** lubrique el prefiltro.
7. Monte el prefiltro seco (D, Figura 17), si está instalado, en el filtro de aire (C).
8. Instale la arandela de acero (H, Figura 17), el filtro de aire (C) y el prefiltro (D), si está instalado, en la base del filtro de aire (F) y en el espárrago (G). Asegúrese de que el filtro de aire esté correctamente montado en la base del filtro de aire con un sujetador (E).
9. Instale la cubierta B, Figura 17) con el(los) sujetadores (A). Asegúrese de que los sujetadores estén bien ajustados.

Filtro de aire de papel

1. Afloje los sujetadores (D, Figura 18).
2. Retire la cubierta (A, Figura 18).
3. Retire el prefiltro (C, Figura 18), si está equipado, y el filtro (B).
4. Para aflojar la suciedad, golpee ligeramente el filtro (B, Figura 18) en una superficie dura. Si el filtro está sucio, cámbielo por otro nuevo.
5. Lave el prefiltro (C, Figura 18), de estar equipado, con detergente líquido y agua. Deje que el prefiltro se seque al aire completamente. **NO** lubrique el prefiltro.
6. Instale el prefiltro en seco (C, Figura 18), si está equipado, y el filtro (B).
7. Instale la cubierta (A, Figura 18) y fíjela con el (los) sujetador (es) (D). Asegúrese de que los sujetadores estén bien ajustados.

Mantenimiento del sistema de combustible

ADVERTENCIA

El combustible y sus vapores son inflamables y explosivos. El fuego o una explosión podrían provocar quemaduras o la muerte.

- Mantenga el combustible alejado de chispas, llamas abiertas, llamas piloto, calor y otras fuentes de ignición.
- Examine frecuentemente las líneas de combustible, el tanque de combustible, la tapa del combustible y las conexiones en busca de grietas o fugas. Reemplace las piezas dañadas.
- Si el combustible se derrama, espere a que se seque antes de arrancar el motor.

Filtro de combustible, si está instalado

1. Antes de reemplazar el filtro de combustible (A, Figura 19), drene el tanque de combustible o cierre la válvula de corte de combustible. Si no se vacía el depósito de combustible, pueden producirse fugas de combustible y provocar un incendio o una explosión.
2. Apriete las lengüetas (B, Figura 19) de las abrazaderas (C) con unos alicates. Aleje las abrazaderas del filtro de combustible (A).
3. Gire y tire de las líneas de combustible (D, Figura 19) del filtro de combustible.
4. Examine las líneas de combustible (D, Figura 19) en busca de grietas o fugas. Si es necesario, reemplace las líneas de combustible.
5. Reemplace el filtro de combustible (A, Figura 19).
6. Sujete las líneas de combustible (D, Figura 19) con abrazaderas (C).

Colador de combustible, si está instalado

1. Quite la tapa del combustible (A, Figura 20).
2. Retire el colador de combustible (B, Figura 20).
3. Si el colador de combustible está sucio, límpielo o reemplácelo. Si reemplaza el colador de combustible, asegúrese de utilizar un colador de combustible de repuesto del equipo original.

Almacenamiento Sistema de combustible

Consulte la Figura: 21.



ADVERTENCIA

El combustible y sus vapores son inflamables y explosivos. El fuego o una explosión podrían provocar quemaduras o la muerte.

Almacenamiento del combustible

- Puesto que las luces piloto u otras fuentes de ignición pueden causar explosiones, mantenga el combustible o el equipo lejos de hornos, estufas, calentadores de agua u otros aparatos que tengan luces piloto.

Mantenga el nivel del motor (posición de operación normal). Llene el tanque de combustible (A, Figura 21) con combustible. Por la expansión del combustible, no llene en exceso por encima del cuello del tanque de combustible (B).

El combustible puede echarse a perder cuando se conserva en un contenedor de almacenamiento durante más de 30 días. Se recomienda el uso de un estabilizador de combustible sin alcohol y un tratamiento con etanol en el contenedor de almacenamiento de combustible.

Cuando llene el recipiente de combustible, añada un estabilizador de combustible sin alcohol según las instrucciones del fabricante. Si la gasolina en el motor no ha sido tratada con un estabilizador de combustible, ésta debe ser drenada dentro de un contenedor aprobado. Opere el motor hasta que se detenga por falta de combustible.

Aceite del motor

Con el motor aún caliente, cambie el aceite del motor. Consulte la sección **Cambio de aceite del motor**.

Solución de problemas

Asistencia

Si necesita asistencia, comuníquese con su distribuidor local o visite BRIGGSandSTRATTON.COM o llame al **1-800-444-7774** (en EE. UU.).

Especificaciones

Especificaciones y piezas de servicio

Modelo: 130000	
Cilindrada	12.48 pulg cúbicas (205 cc)
Diámetro	2.688 pulg (68,28 mm)
Carrera	2.2 pulg (55,88 mm)
Capacidad de aceite	20 - 22 oz (.59 - .65 L)
Tipo de aceite de reducción de engranajes	80W-90
Capacidad de aceite de reducción de engranajes	4 oz (.12 L)
Apertura de la bujía	.030 pulg (.76 mm)
Torque de la bujía	180 lb-pulg (20 Nm)
Entrehierro del inducido	.010 - .014 pulg (.25 - .36 mm)
Espacio libre de la válvula de admisión	.004 - .006 pulg (.10 - .15 mm)
Espacio libre de la válvula de escape	.009 - .011 pulg (.23 - .28 mm)

Modelo: 190000	
Cilindrada	18.63 pulg cúbicas (305 cc)
Diámetro	3.120 pulg (79,24 mm)
Carrera	2.2 pulg (55,88 mm)
Capacidad de aceite	26 - 28 oz (.77 - .83 L)
Tipo de aceite de reducción de engranajes	SAE 30
Capacidad de aceite de reducción de engranajes	12 oz (.35 L)
Apertura de la bujía	.030 pulg (.76 mm)
Torque de la bujía	180 lb-pulg (20 Nm)
Entrehierro del inducido	.010 - .014 pulg (.25 - .36 mm)
Espacio libre de la válvula de admisión	.004 - .006 pulg (.10 - .15 mm)

Modelo: 190000

Espacio libre de la válvula de escape	.004 - .006 pulg (.10 - .15 mm)
---------------------------------------	---------------------------------

La potencia del motor disminuirá 3,5 % por cada 1000 pies (300 metros) por encima del nivel del mar y un 1 % por cada 10 °F (5,6 °C) por encima de 77 °F (25 °C). El motor funcionará satisfactoriamente en un ángulo de hasta 15°. Consulte el Manual del operador del equipo para conocer los límites de operación seguros permitidos en pendientes.

Piezas de servicio - Modelos: 130000, 190000

Repuesto	Número de pieza
Filtro de aire de espuma (modelo 130000, figura 17)	797376
Filtro de aire de papel (modelo 130000, figura 17)	797033
Prefiltro (Modelo 130000, Figura 17)	798513
Filtro de aire de papel (modelo 190000, figura 18)	797032
Prefiltro (Modelo 190000, Figura 18)	798795
Filtro de aire de papel (Figura 19)	474279
Prefiltro (Figura 19)	491435S
Bujía	491055S
Llave para bujías	19576S, 5402
Probador de bujías	84003327

Le recomendamos que consulte a un distribuidor autorizado de Briggs & Stratton para mantenimiento y servicio del motor y de las piezas del motor.

Clasificación de potencia

La potencia nominal bruta para los modelos de motor de gasolina individuales está etiquetada conforme al código SAE (Sociedad de Ingenieros Automotrices) J1940, Procedimiento de calificación de potencia y torque para motores pequeños, y está clasificada conforme a SAE J1995. Los valores de torque se obtienen a 2600 RPM para los motores con "rpm" indicado en la etiqueta y 3060 RPM para todos los demás. Los valores de potencia se obtienen a 3600 RPM. Las curvas de potencia bruta se pueden ver en www.BRIGGSandSTRATTON.COM. Los valores de potencia neta se obtienen con un limpiador de aire y un escape instalados, mientras que los valores de potencia bruta se recopilan sin estos aditamentos. La potencia bruta real del motor es mayor que la potencia neta del motor y depende, entre otros factores, de las condiciones ambientales de uso y de las variaciones entre los motores. Dada la amplia gama de productos donde se colocan los motores, el motor de gasolina puede no desarrollar la potencia bruta nominal cuando se usa en un equipo de potencia determinado. Esta diferencia se debe, entre otros, a los siguientes factores: variedad de componentes del motor (limpiador de aire, escape, carga, enfriamiento, carburador, bomba de combustible, etc.), limitaciones de la aplicación, condiciones ambientales de uso (temperatura, humedad, altitud) y variaciones entre los motores. Debido a limitaciones de fabricación y capacidad, Briggs & Stratton puede sustituir un motor de una potencia nominal mayor por este motor.

Garantía

Garantía para motores Briggs & Stratton®

Vigente a partir de agosto de 2022

Garantía limitada

Briggs & Stratton garantiza que, durante el periodo de garantía especificado a continuación, reparará o reemplazará, sin cargo alguno, por una pieza nueva, reacondicionada o remanufacturada, a criterio exclusivo de Briggs & Stratton, cualquier pieza defectuosa en cuanto a material, mano de obra o ambos. Los gastos de transporte del producto sometido a reparación o cambio conforme a garantía deben ser abonados por el comprador. Esta garantía se mantiene vigente durante los periodos de tiempo indicados a continuación y está sujeta a dichos periodos y a las condiciones presentadas a continuación. Para obtener servicio de garantía, encuentre el distribuidor de servicio autorizado más cercano en nuestro mapa localizador de distribuidores en BRIGGSandSTRATTON.COM. El comprador debe ponerse en contacto con el distribuidor de servicio autorizado y entregarle el producto para la inspección y prueba.

No existe ninguna otra garantía explícita. Las garantías implícitas, incluidas las de comerciabilidad y aptitud para una finalidad específica, quedan limitadas a un año a partir de la fecha de compra, o en la medida en que lo permita la ley. Quedan excluidas todas las demás garantías implícitas. **La responsabilidad de daños fortuitos o consecuentes queda excluida en la medida que dicha exclusión esté permitida por ley.** Algunos estados o países no contemplan limitaciones en cuanto a la duración de una garantía implícita, y otros estados o países no permiten la exclusión o limitación de daños consecuentes o incidentales, en cuyo caso la limitación y la exclusión anteriores pueden no ser aplicables a usted. Esta garantía le da derechos legales específicos, pudiendo tener a su vez otros derechos que varían de un estado a otro o de un país a otro.

Términos de la garantía estándar ^{1, 2}
Vanguard®; Serie comercial
Uso privado: 36 meses
Uso comercial: 36 meses
Serie XR
Uso privado: 24 meses
Uso comercial: 24 meses
Todos los demás motores con manga de hierro fundido Dura-Bore™
Uso privado: 24 meses
Uso comercial: 12 meses
Todos los demás motores
Uso privado: 24 meses
Uso comercial: 3 meses

¹ Estos son nuestros términos estándar de garantía, pero ocasionalmente puede haber una cobertura de garantía adicional no determinada en el momento de la publicación. Para obtener una lista de los términos actuales de garantía para su motor, vaya a BRIGGSandSTRATTON.COM o comuníquese con el distribuidor de servicio autorizado de Briggs & Stratton.

² No hay garantía para los motores de los equipos usados para suministrar energía primaria en sustitución de un servicio público, los generadores de energía de emergencia para fines comerciales, los vehículos utilitarios que excedan una velocidad máxima de 25 mph, o los motores que se usan en eventos competitivos o en pistas de carreras comerciales o de alquiler.

* En Australia: nuestros productos vienen con garantías que no se pueden excluir en virtud de la Ley australiana de protección al consumidor (Australian Consumer Law). Usted tiene derecho a una sustitución o a un reembolso por una avería importante y a compensación por cualquier otra pérdida o daño razonablemente previsible. También tiene derecho a una reparación o sustitución de productos si estos no son de una calidad aceptable y la avería no asciende a una avería más importante. Para obtener el servicio de garantía, busque al distribuidor de servicio autorizado más cercano en el mapa localizador de distribuidores en BRIGGSandSTRATTON.COM, o llamando al 1300 274 447, o mediante un correo electrónico o carta a salesenquiries@briggsandstratton.com.au, Briggs & Stratton Australia Pty Ltd., 1 Moorebank Avenue, Moorebank, NSW, Australia, 2170.

El período de garantía comienza en la fecha de compra por parte del primer consumidor minorista o usuario final comercial, y continúa durante el período de tiempo que se indica en la tabla anterior. "Uso privado" significa uso doméstico personal por parte de un consumidor final. "Uso comercial" significa todos los demás usos, incluidos los usos con fines comerciales, de generación de ingresos o alquiler. Una vez que el motor haya experimentado uso comercial, será considerado en adelante como motor de uso comercial a los fines de esta garantía.

No es necesario registrar la garantía para obtenerla en los productos Briggs & Stratton. Guarde su recibo de comprobante de compra. Si no aporta un comprobante de la fecha de compra inicial al solicitar el servicio de garantía, se tomará la fecha de fabricación del producto para determinar el periodo de garantía.

Acerca de su garantía

Esta garantía limitada cubre únicamente problemas de materiales y/o mano de obra asociados al motor, y no la sustitución o el reembolso del equipo en el que el motor puede estar montado. El mantenimiento de rutina, la puesta a punto, los ajustes o el desgaste normal no están cubiertos bajo esta garantía. Asimismo, la garantía queda anulada si el motor ha sido alterado o modificado, o si el número de serie del motor ha sido desfigurado o eliminado. Esta garantía no cubre daños al motor o problemas de desempeño causados por:

1. El uso de piezas que no son piezas originales Briggs & Stratton;
2. El funcionamiento del motor con aceite lubricante insuficiente, contaminado o de grado incorrecto;
3. El uso de combustible contaminado o rancio, gasolina formulada con un contenido de etanol mayor al 10 %, o el uso de combustibles alternativos tales como gas licuado del petróleo o gas natural en motores no diseñados o fabricados originalmente por Briggs & Stratton para operar con tales combustibles;
4. Suciedad que ingresa al motor debido a mantenimiento o reensamblado incorrecto del limpiador de aire;
5. Golpear un objeto con la cuchilla de corte de un cortacésped rotatorio, adaptadores de la cuchilla, impulsores u otros dispositivos acoplados al cigüeñal sueltos o instalados incorrectamente, o excesiva tirantez de la correa en V;
6. Piezas o ensambles asociados, tales como embragues, transmisiones, controles de equipos, etc., no suministrados por Briggs & Stratton;
7. Sobrecalentamiento debido a recortes de hierba, suciedad y desechos, o nidos de roedores que taponan u obstruyen las aletas de refrigeración o el área de la volante, o por poner en funcionamiento el motor sin suficiente ventilación;

8. Vibración excesiva debida al exceso de velocidad, montaje flojo del motor, cuchillas o impulsores flojos o no balanceados, o acoplamiento incorrecto de los componentes del equipo al cigüeñal;
9. Uso incorrecto, falta de mantenimiento de rutina, transporte, manipulación o almacenamiento de los equipos, o instalación incorrecta del motor.

El servicio de garantía solo está disponible a través de los distribuidores de servicio autorizados de Briggs & Stratton. Ubique a su distribuidor de servicio autorizado más cercano en nuestro mapa localizador de distribuidores en BRIGGSandSTRATTON.COM o llamando al 1-800-444-7774 (en EE. UU.).

80114782 (Revisión A)

Garantía de emisiones de Briggs & Stratton

Garantía sobre control de emisiones de California, EPA de EE. UU. y Briggs & Stratton LLC: Sus derechos y obligaciones bajo la garantía Para modelos de Motor Briggs & Stratton con designación de versión "F" (Modelo-Tipo-Representación de versión xxxxxx xxxx Fx)

La Junta de Recursos del Aire de California, la EPA de EE. UU. y Briggs & Stratton (B&S) se complacen en explicar la garantía del sistema de control de emisiones de escapes y evaporaciones ("emisiones") de su motor/equipo modelo 2022-2024. En California, los nuevos equipos que usan motores pequeños para uso fuera de carretera deben estar diseñados, fabricados y equipados conforme a los exigentes estándares estatales de lucha contra la contaminación. BS garantiza el sistema de control de emisiones de su motor/equipo durante los períodos que se indican a continuación, siempre que no haya habido abuso, negligencia o mantenimiento indebido del motor pequeño para máquinas de servicio.

Su sistema de control de emisiones puede incluir piezas como el carburador o el sistema de inyección de combustible, el sistema de encendido, el convertidor catalítico, los tanques de combustible, las líneas de combustible (para combustible líquido y vapores de combustible), tapas de combustible, válvulas, cámaras, filtros, abrazaderas y otros componentes asociados. También puede incluir mangueras, correas, conectores y otros conjuntos relacionados con el sistema de control de emisiones.

Donde exista una condición cubierta por la garantía, B&S reparará su motor/equipo sin costo alguno, incluido el diagnóstico, las piezas y la mano de obra.

Cobertura de la garantía del fabricante:

El sistema de control de emisiones de escape y evaporaciones en su motor/equipo tiene una garantía de dos años. Si alguna pieza de su motor/ equipo B&S relacionada con las emisiones evaporativas estuviera defectuosa, B&S la reparará o reemplazará.

Responsabilidades del propietario bajo la garantía:

- Como propietario del motor/equipo, usted es responsable de llevar a cabo todas las tareas de mantenimiento que se enumeran en el manual del propietario. B&S recomienda conservar todas las facturas relativas al mantenimiento del motor, pero B&S no puede denegar la cobertura de la garantía basándose únicamente en la falta de facturas o en su imposibilidad de asegurar la correcta realización de todas las tareas de mantenimiento programadas.
- Como propietario del motor/equipo, debe ser consciente de que B&S puede denegar la cobertura de la garantía si el motor/equipo o uno de sus componentes falla debido a maltrato, negligencia o mantenimiento indebido o modificaciones no autorizadas.
- Usted es responsable de presentar su motor/equipo a un centro de distribución de B&S o centro de servicio en el momento en que surja un problema. Las reparaciones cubiertas por la garantía se llevarán a cabo en un plazo razonable no superior a 30 días. Si tiene preguntas sobre los derechos y responsabilidades relativos a la garantía, debe ponerse en contacto con B&S llamando al 1-800-444-7774 (en EE. UU.) o visitando el sitio BRIGGSandSTRATTON.COM.

Disposiciones para la garantía sobre control de emisiones de Briggs & Stratton

A continuación se detallan las disposiciones concretas relativas a la cobertura de la garantía del sistema de control de emisiones. Es una adición a la garantía del motor de B&S para los motores no regulados, que se encuentra en el Manual del operador.

1. Piezas de emisiones garantizadas
La cobertura de esta garantía se hace extensiva solo a las partes que figuran a continuación (piezas del sistema de control de emisiones), siempre y cuando tales piezas estén presentes en el motor de B&S o en el sistema de combustible suministrado por B&S.
 - a. Sistema de medición de combustible
 - Sistema de enriquecimiento para arranque en frío (estrangulador electrónico)
 - Carburador o sistema de inyección de combustible
 - Sensor de oxígeno
 - Unidad electrónica de control
 - Módulo de la bomba de combustible

- Línea de combustible (para combustible líquido y vapores de combustible), accesorios de línea de combustible y abrazaderas
 - Tanque de combustible, tapa y traba
 - Envase de carbono y soporte de montaje
 - Válvulas de alivio de presión
 - Separador de líquido/vapor
- b. Sistema de inducción de aire
- Limpiador de aire
 - Colector de admisión
 - Conducto de purga y ventilación
- c. Sistema de encendido
- Bujía(s)
 - Sistema de ignición magnética
- d. Sistema catalizador
- Convertidor catalítico
 - Colector de escape
 - Sistema de inyección de aire o válvula de pulso
- e. Artículos misceláneos usados en los sistemas anteriores
- Válvulas e interruptores de vacío, temperatura, posición y sensibles al tiempo
 - Conectores y conjuntos
 - Controles electrónicos

2. Duración de la cobertura

La cobertura es por un período de dos años a partir de la fecha de entrega a un comprador final o por el período de tiempo que se indica en la declaración de garantía del motor o producto correspondiente, lo que sea más prolongado. B&S garantiza al comprador original y a cada comprador subsiguiente que el motor está diseñado, construido y equipado de acuerdo con todas las normas aplicables adoptadas por la Junta de Recursos del Aire de California; que no tiene defectos en materiales y en mano de obra que puedan causar la falla de una pieza garantizada; y que es idéntico en todos los aspectos materiales al motor descrito en las solicitudes de certificación del fabricante. El período de garantía comienza en la fecha en que el motor o el equipo se envían a un comprador final.

La garantía sobre las piezas relacionadas con las emisiones es la siguiente:

- Todas las piezas cubiertas por la garantía que no se deban repuesto como parte del programa de mantenimiento obligatorio detallado en el Manual del operador entregado quedarán cubiertas por la garantía durante el período especificado anteriormente. Si tal pieza falla durante el período de cobertura de la garantía, la pieza será reparada o reemplazada por B&S, sin costo alguno para el propietario. Las piezas que se reparen o sustituyan en virtud de la garantía estarán cubiertas por la garantía durante el período de garantía restante.
 - Todas las piezas cubiertas por la garantía que solo se deban inspeccionar periódicamente según el Manual del operador entregado quedarán cubiertas por la garantía durante el período de la garantía especificado anteriormente. Cualquier pieza reparada o reemplazada bajo la garantía estará garantizada por lo que reste del período de garantía.
 - Toda pieza cubierta por la garantía que esté programada para reemplazarse como mantenimiento obligatorio en el Manual del operador entregado, está cubierta por la garantía durante el período de tiempo previo al primer punto de reemplazo programado para la pieza. Si la pieza falla antes del primer repuesto programado, la pieza será reparada o sustituida por B&S, sin costo alguno para el propietario. Las piezas que se reparen o sustituyan en virtud de la garantía estarán cubiertas por la garantía durante el período de garantía restante hasta llegar a la fecha de la primera sustitución.
 - No se podrán utilizar piezas complementarias o modificadas no exentas por la Junta de Recursos del Aire. El uso por parte del propietario de cualquier pieza adicional o modificada que no esté exenta será causa suficiente para rechazar un reclamo en garantía. El fabricante no será responsable de extender la garantía por fallas de piezas cubiertas por la garantía que se deban al uso de piezas adicionales o modificadas que no estén exentas.
3. Cobertura consecucional
La cobertura se ampliará a los fallos de cualesquiera componentes del motor causados por la falla de cualquier pieza garantizada en materia de emisiones.
4. Reclamaciones y exclusiones de la cobertura
Las solicitudes de reclamación de garantía se cumplimentarán según las disposiciones de la política de garantía del motor B&S. La cobertura de garantía no se aplica a fallas de piezas de emisiones que no sean piezas originales de los equipos de B&S o a piezas que fallen debido a abuso, negligencia o mantenimiento incorrecto, según lo establecido en la política de garantía del motor de B&S. B&S no es responsable de la cobertura en garantía de fallas de piezas de emisiones causadas por el uso de piezas adicionales o modificadas.

Consulte la información relevante sobre el período de durabilidad de emisiones y el índice de aire en la etiqueta de emisiones de su pequeño motor todo terreno

Los motores con certificación de cumplimiento de la normativa sobre emisiones de la Junta de Recursos del Aire de California (CARB) deben mostrar información sobre el período de durabilidad de las emisiones y el índice de calidad del aire. Briggs & Stratton ofrece esta información al consumidor en las etiquetas de emisiones. La etiqueta de emisiones del motor contiene la información de certificación.

El **período de durabilidad de las emisiones** indica la cantidad de horas durante las cuales el motor puede funcionar cumpliendo las normas sobre emisiones, siempre que se realicen las operaciones de mantenimiento adecuadas de acuerdo con el manual del operador. Se utilizan las siguientes categorías:

Moderada:

Los motores con desplazamiento inferior a 80 cc tienen certificación de conformidad de emisiones por 50 horas del tiempo real de operación. Los motores con desplazamiento superior a 80 cc tienen certificación de conformidad de emisiones por 125 horas del tiempo real de operación.

Intermedia:

Los motores con un desplazamiento de 80 cc o inferior cuentan con certificación de conformidad de emisiones para 125 horas de tiempo de operación efectiva del motor. Los motores con un desplazamiento superior a 80 cc cuentan con certificación de conformidad de emisiones para 250 horas de tiempo de operación efectiva del motor.

Extendida:

Los motores con un desplazamiento de 80 cc o inferior cuentan con certificación de conformidad de emisiones para 300 horas de tiempo de operación efectiva del motor. Los motores con un desplazamiento superior a 80 cc cuentan con certificación de conformidad de emisiones para 500 horas de tiempo de operación efectiva del motor.

Por ejemplo, un cortacésped de empuje típico se suele utilizar entre 20 y 25 horas al año. Por lo tanto, el **período de durabilidad de las emisiones** de un motor con clasificación **intermedia** equivaldría entre 10 y 12 años.

Los motores Briggs & Stratton cuentan con la certificación de cumplimiento de la fase 2 o 3 de las normativas sobre emisiones de la Agencia de Protección del Medioambiente de los Estados Unidos (USEPA). El período de cumplimiento de la normativa sobre emisiones que figura en la etiqueta de cumplimiento de emisiones indica el número de horas de funcionamiento durante las cuales el motor ha demostrado cumplir los requisitos federales sobre emisiones.

Para motores con desplazamiento de 80 cc o menos:

Categoría C = 50 horas, categoría B = 125 horas, categoría A = 300 horas

Para motores con desplazamiento mayor a 80 cc o menor a 225 cc:

Categoría C = 125 horas, categoría B = 250 horas, categoría A = 500 horas

Para motores con desplazamiento de 225 cc o superior:

Categoría C = 250 horas, categoría B = 500 horas, categoría A = 1000 horas

80111491(Revisión A)

Garantía de emisiones de Briggs & Stratton

Garantía sobre control de emisiones de California, EPA de EE. UU. y Briggs & Stratton LLC: Sus derechos y obligaciones bajo la garantía Para Modelos de Motor Briggs & Stratton con designación de versión "B" o "G" (Modelo-Tipo-Representación de Reglaje xxxxxx Bx o xxxxxx Gx)

La Junta de Recursos del Aire de California, la EPA de EE. UU. y Briggs & Stratton (B&S) se complacen en explicar la garantía del sistema de control de emisiones de escape ("emisiones") de su motor modelo 2022-2024. En California, los motores pequeños para uso fuera de carretera y los motores grandes de encendido por chispa de 1,0 litro o menos nuevos deben estar diseñados, construidos y equipados para cumplir con las estrictas normas estatales contra el smog. B&S garantiza el sistema de control de emisiones de su motor durante los períodos que se indican a continuación, siempre que no haya habido abuso, negligencia o mantenimiento indebido del motor pequeño para máquinas de servicio o equipo que da como resultado la falla del sistema de control de emisiones.

Su sistema de control de emisiones puede incluir piezas como el carburador o el sistema de inyección de combustible, el sistema de encendido, el convertidor catalítico, los tanques de combustible, las líneas de combustible (para combustible líquido y vapores de combustible), tapas de combustible, válvulas, cámaras, filtros, abrazaderas y otros componentes asociados. También puede incluir mangueras, correas, conectores y otros conjuntos relacionados con el sistema de control de emisiones.

Cuando exista una condición sujeta a garantía, B&S reparará su motor sin costo alguno para usted, lo que incluye diagnóstico, piezas y mano de obra.

Cobertura de la garantía del fabricante:

El sistema de control de emisiones de su motor está garantizado durante dos años. Si cualquier pieza relacionada con las emisiones de su motor resulta defectuosa, la pieza será reparada o sustituida por B&S.

Responsabilidades del propietario bajo la garantía:

- Como propietario del motor, usted es responsable de llevar a cabo todas las operaciones de mantenimiento necesarias indicadas en el manual del propietario. B&S recomienda conservar todas las facturas relativas al mantenimiento del motor, pero B&S no puede denegar la cobertura de la garantía basándose únicamente en la falta de facturas o en su imposibilidad de asegurar la correcta realización de todas las tareas de mantenimiento programadas.
- Sin embargo, como propietario del motor, usted debe ser consciente de que B&S puede denegar la cobertura de la garantía si su motor o una de sus piezas falla a causa de maltrato, uso negligente, mantenimiento inapropiado o modificaciones no aprobadas.
- Usted es responsable de llevar su motor a un centro de distribución de B&S o centro de servicio, en el momento en que surja un problema. Las reparaciones cubiertas por la garantía se llevarán a cabo en un plazo razonable no superior a 30 días. Si tiene preguntas sobre los derechos y responsabilidades relativos a la garantía, debe ponerse en contacto con B&S llamando al 1-800-444-7774 (en EE. UU.) o visitando el sitio BRIGGSandSTRATTON.COM.

Disposiciones para la garantía sobre control de emisiones de Briggs & Stratton

A continuación se detallan las disposiciones concretas relativas a la cobertura de la garantía del sistema de control de emisiones. Es una adición a la garantía del motor de B&S para los motores no regulados, que se encuentra en el Manual del operador.

1. Piezas de emisiones garantizadas

La cobertura de esta garantía se extiende únicamente a las piezas que se indican a continuación (las piezas de los sistemas de control de emisiones) en la medida en que estas piezas estén presentes en el motor B&S.

a. Sistema de medición de combustible

- Sistema de enriquecimiento para arranque en frío (estrangulador electrónico)
- Carburador o sistema de inyección de combustible
- Sensor de oxígeno
- Unidad electrónica de control
- Módulo de la bomba de combustible

b. Sistema de inducción de aire

- Limpiador de aire
- Colector de admisión

c. Sistema de ignición

- Bujía(s)
- Sistema de ignición magnética

d. Sistema catalizador

- Convertidor catalítico
- Colector de escape
- Sistema de inyección de aire o válvula de pulso

e. Artículos misceláneos usados en los sistemas anteriores

- Válvulas e interruptores de vacío, temperatura, posición y sensibles al tiempo
- Conectores y conjuntos
- Controles electrónicos

2. Duración de la cobertura

La cobertura es por un período de dos años a partir de la fecha de entrega a un comprador final o por el período de tiempo que se indica en la declaración de garantía del motor o producto correspondiente, lo que sea más prolongado. B&S garantiza al comprador original y a cada comprador subsiguiente que el motor está diseñado, construido y equipado de acuerdo con todas las normas aplicables adoptadas por la Junta de Recursos del Aire de California; que no tiene defectos en materiales y en mano de obra que puedan causar la falla de una pieza garantizada; y que es idéntico en todos los aspectos materiales al motor descrito en las solicitudes de certificación del fabricante. El período de garantía comienza en la fecha en que el motor o el equipo se envían a un comprador final.

La garantía sobre las piezas relacionadas con las emisiones es la siguiente:

- Todas las piezas cubiertas por la garantía que no se deban repuesto como parte del programa de mantenimiento obligatorio detallado en el Manual del operador entregado quedarán cubiertas por la garantía durante el período especificado anteriormente. Si tal pieza falla durante el período de cobertura de la garantía, la pieza será reparada o reemplazada por B&S, sin costo alguno para el propietario. Las piezas que se reparen o sustituyan en virtud de la garantía estarán cubiertas por la garantía durante el período de garantía restante.
- Todas las piezas cubiertas por la garantía que solo se deban inspeccionar periódicamente según el Manual del operador entregado quedarán cubiertas por la garantía durante el período de la garantía especificado anteriormente. Cualquier pieza reparada o reemplazada bajo la garantía estará garantizada por lo que reste del período de garantía.
- Toda pieza cubierta por la garantía que esté programada para reemplazarse como mantenimiento obligatorio en el Manual del operador entregado, está cubierta por la garantía durante el período de tiempo previo al primer punto de reemplazo programado para la pieza. Si la pieza falla antes del primer repuesto programado, la pieza será reparada o sustituida por B&S, sin costo alguno para el propietario. Las piezas que se reparen o sustituyan en virtud de la garantía estarán cubiertas por la garantía durante el período de garantía restante hasta llegar a la fecha de la primera sustitución.
- No se podrán utilizar piezas complementarias o modificadas no exentas por la Junta de Recursos del Aire. El uso por parte del propietario de cualquier pieza adicional o modificada que no esté exenta será causa suficiente para rechazar un reclamo en garantía. El fabricante no será responsable de extender la garantía por fallas de piezas cubiertas por la garantía que se deban al uso de piezas adicionales o modificadas que no estén exentas.

3. Cobertura consecucional

La cobertura se ampliará a los fallos de cualesquiera componentes del motor causados por la falla de cualquier pieza garantizada en materia de emisiones.

4. Reclamaciones y exclusiones de la cobertura

Las solicitudes de reclamación de garantía se cumplimentarán según las disposiciones de la política de garantía del motor B&S. La cobertura de garantía no se aplica a fallas de piezas de emisiones que no sean piezas originales de los equipos de B&S o a piezas que fallen debido a abuso, negligencia o mantenimiento incorrecto, según lo establecido en la política de garantía del motor de B&S. B&S no es responsable de la cobertura en garantía de fallas de piezas de emisiones causadas por el uso de piezas adicionales o modificadas.

Consulte la información relevante sobre el período de durabilidad de emisiones y el índice de aire en la etiqueta de emisiones de su pequeño motor todo terreno

Los motores con certificación de cumplimiento de la normativa sobre emisiones de la Junta de Recursos del Aire de California (CARB) deben mostrar información sobre el período de durabilidad de las emisiones y el índice de calidad del aire. Briggs & Stratton ofrece esta información al consumidor en las etiquetas de emisiones. La etiqueta de emisiones del motor contiene la información de certificación.

El **período de durabilidad de las emisiones** indica la cantidad de horas durante las cuales el motor puede funcionar cumpliendo las normas sobre emisiones, siempre que se realicen las operaciones de mantenimiento adecuadas de acuerdo con el manual del operador. Se utilizan las siguientes categorías:

Moderada:

Los motores con desplazamiento inferior a 80 cc tienen certificación de conformidad de emisiones por 50 horas del tiempo real de operación. Los motores con desplazamiento superior a 80 cc tienen certificación de conformidad de emisiones por 125 horas del tiempo real de operación.

Intermedia:

Los motores con un desplazamiento de 80 cc o inferior cuentan con certificación de conformidad de emisiones para 125 horas de tiempo de operación efectiva del motor. Los motores con un desplazamiento superior a 80 cc cuentan con certificación de conformidad de emisiones para 250 horas de tiempo de operación efectiva del motor.

Extendida:

Los motores con un desplazamiento de 80 cc o inferior cuentan con certificación de conformidad de emisiones para 300 horas de tiempo de operación efectiva del motor. Los motores con un desplazamiento superior a 80 cc cuentan con certificación de conformidad de emisiones para 500 horas de tiempo de operación efectiva del motor.

Por ejemplo, un cortacésped de empuje típico se suele utilizar entre 20 y 25 horas al año. Por lo tanto, el **período de durabilidad de las emisiones** de un motor con clasificación **intermedia** equivaldría entre 10 y 12 años.

Los motores Briggs & Stratton cuentan con la certificación de cumplimiento de la fase 2 o 3 de las normativas sobre emisiones de la Agencia de Protección del Medioambiente de los Estados Unidos (USEPA). El período de cumplimiento de la normativa sobre emisiones que figura en la etiqueta de cumplimiento de emisiones indica el número de horas de funcionamiento durante las cuales el motor ha demostrado cumplir los requisitos federales sobre emisiones.

Para motores con desplazamiento de 80 cc o menos:

Categoría C = 50 horas, categoría B = 125 horas, categoría A = 300 horas

Para motores con desplazamiento mayor a 80 cc o menor a 225 cc:

Categoría C = 125 horas, categoría B = 250 horas, categoría A = 500 horas

Para motores con desplazamiento de 225 cc o superior:

Categoría C = 250 horas, categoría B = 500 horas, categoría A = 1000 horas

80111486 (Revisión A)

Renseignements généraux



Ce manuel contient des consignes de sécurité portant sur les dangers et risques connexes au moteur et comment les prévenir. Il contient également le fonctionnement et l'entretien adéquat de ce moteur. Il est important de lire, de comprendre et de respecter ces instructions. **Conserver ce manuel à des fins de référence.**

REMARQUE : Les figures et illustrations dans ce manuel sont fournies à titre éducatif et peuvent différer de votre modèle. Utiliser les figures qui correspondent à la configuration de votre moteur. Au besoin, parler avec un détaillant autorisé de service.

Noter la date d'achat, le modèle de moteur, le type, la garniture et le numéro de série du moteur. Ces numéros se trouvent sur votre moteur. Consulter la section **Caractéristiques et commandes.**

Date d'achat	
Modèle du moteur - Type - Garniture	
Numéro de série du moteur	

Coordonnées du contact du bureau européen

Pour des questions liées aux émissions européennes, communiquer avec notre bureau européen à°:

Max-Born-Straße 2, 68519 Viernheim, Allemagne.

Union européenne (UE) Phase V (5) : Valeurs de dioxyde de carbone (CO2)

Entrer CO2 dans la fenêtre de recherche sur BriggsandStratton.com pour trouver les valeurs de dioxyde de carbone des moteurs de Briggs & Stratton ayant un certificat d'approbation de la UE.

Information sur le recyclage

		Recycler tous les emballages, les boîtes, les huiles usées et les batteries, tel que spécifié par les réglementations gouvernementales.
--	--	---

Sécurité de l'utilisateur

Symbole d'alerte de sécurité et mots-indicateurs

Le symbole d'alerte de sécurité identifie l'information de sécurité relative aux dangers qui pourraient causer des blessures. Un mot de signalisation (**DANGER**, **AVERTISSEMENT** ou **ATTENTION**) est utilisé pour indiquer la possibilité et la gravité des blessures potentielles. En plus, un symbole de danger est utilisé pour représenter un type de danger.

DANGER indique un danger qui, si non évité, **provoquera** la mort ou des blessures graves.

AVERTISSEMENT indique un danger qui, si non évité, **pourrait** causer la mort ou des blessures graves.

ATTENTION indique un danger qui, si non évité, **pourrait** causer une blessure mineure ou modérée.

AVIS indique des informations considérées importantes, mais non liées aux dangers.

Renseignements et symboles de risque

	Information de sécurité au sujet des dangers qui peuvent causer des blessures corporelles.		Lire et assimiler le Manuel d'utilisation avant de faire fonctionner ou d'entretenir l'unité.
	Risque d'incendie		Risque d'explosion
	Risque de choc électrique		Risque de vapeurs toxiques

	Risque de surface chaude		Risque de rebond
	Risque d'amputation – pièces mobiles		Niveau de carburant – maximum Ne pas trop remplir

Messages de sécurité

AVERTISSEMENT

Ce produit peut vous exposer à des agents chimiques, y compris les échappements des moteurs à essence, connus dans l'État de la Californie pour causer le cancer, et le monoxyde de carbone, connu dans l'État de la Californie pour causer des malformations congénitales ou les dommages à l'appareil reproducteur. Pour obtenir de plus amples renseignements, visitez le www.P65Warnings.ca.gov.

AVERTISSEMENT

Les moteurs Briggs & Stratton® ne sont pas conçus et ne doivent pas être utilisés pour propulser des « fun-karts »; « go-karts »; véhicules récréationnels pour enfants ou sportifs/tous-terrains (VTT); motocyclettes; aéroglisseur, avionet ou véhicules utilisés pour compétitions non sanctionnées par Briggs & Stratton. Pour plus d'information à propos des produits pour courses, visiter www.briggsracing.com. Pour l'utilisation avec des véhicules utilitaires ou VTT pour passagers côte à côte, communiquer avec le Centre d'application électrique de Briggs & Stratton au 1-866-927-3349. Une utilisation inappropriée du moteur pourrait causer des blessures graves ou mortelles.

AVERTISSEMENT

Le carburant et ses vapeurs sont inflammables et explosives. Un incendie ou une explosion pourrait causer des brûlures graves voire la mort.

Lors de l'ajout de carburant

- Arrêter le moteur. Lorsque vous retirez le bouchon de carburant, attendre au moins deux (2) minutes pour s'assurer que le moteur est froid.
- Remplir le réservoir de carburant à l'extérieur ou à un endroit avec une bonne circulation d'air.
- Ne pas mettre trop de carburant dans le réservoir. Pour l'expansion du carburant, ne pas remplir au-dessus du goulot du réservoir de carburant.
- Garder le carburant loin des étincelles, des flammes nues, des veilleuses, de la chaleur et des autres sources d'inflammation.
- Examiner régulièrement les conduites de carburant, le réservoir de carburant, le bouchon de carburant et les raccords pour détecter toute fissure ou fuite. Remplacer les pièces endommagées.
- Si le carburant se renverse, attendre jusqu'à ce qu'il sèche avant de démarrer le moteur.

Lors du démarrage du moteur

- Veiller à ce que la bougie d'allumage, le silencieux, le bouchon de carburant et le filtre à air (le cas échéant) soient correctement installés.
- Lorsque la bougie d'allumage est enlevée, ne pas mettre le moteur en marche.
- Si le moteur est noyé, régler le étrangleur (le cas échéant) à la position OUVERT ou MARCHE. Déplacer la manette des gaz (le cas échéant) à la position RAPIDE et faire tourner le moteur jusqu'à ce qu'il démarre.
- S'il y a une fuite de gaz naturel ou PL dans l'endroit où vous êtes, ne pas démarrer le moteur.
- Ne pas utiliser de fluides sous pression car les vapeurs sont inflammables.

Lors de l'utilisation de l'équipement

- Ne pas incliner le moteur ou l'équipement à un angle qui risquerait de faire couler du carburant.
- Ne pas étrangler le carburateur (le cas échéant) pour arrêter le moteur.
- Ne pas démarrer ou faire fonctionner le moteur lorsque l'épurateur d'air (le cas échéant) ou le filtre à air (le cas échéant) est enlevé.

Lors de l'entretien

- Si la vidange de l'huile est faite par le tube de remplissage du haut, le réservoir de carburant doit être vide. Si le réservoir n'est pas vide, une fuite de carburant peut se produire et pourrait causer un incendie ou une explosion.
- Durant l'entretien, s'il est nécessaire d'incliner l'appareil, s'assurer que le réservoir de carburant, si monté sur le moteur, est vide et que le côté bougie se trouve en haut. Si le réservoir de carburant n'est pas vide, une fuite peut se produire et pourrait causer un incendie ou une explosion.

- Examiner régulièrement les conduites de carburant, le réservoir de carburant, le bouchon de carburant et les raccords pour détecter toute fissure ou fuite. Remplacer les pièces endommagées.
- Ne pas modifier le ressort du régulateur, la tringlerie ni aucune autre pièce pour augmenter le régime du moteur.
- Ne pas frapper le volant-moteur avec un marteau ni un objet dur. Cela pourrait se traduire par une défaillance du volant-moteur durant le fonctionnement.
- Les pièces de rechange doivent être de la même conception et installées dans la même position que les pièces d'origine. D'autres pièces pourraient causer des dommages ou une blessure.

Lors du changement d'emplacement de l'équipement

- S'assurer que le réservoir de carburant est VIDE et que le robinet d'arrêt de carburant est à la position FERMÉ.

Lorsque le carburant ou l'équipement est entreposé avec du carburant dans le réservoir de carburant

- Puisque les veilleuses et autres sources d'allumage peuvent causer des explosions, garder le carburant ou l'équipement loin des fournaises, des poêles, des chauffe-eaux ou autres appareils ayant des veilleuses.



AVERTISSEMENT
Le carburant et ses vapeurs sont inflammables et explosives. Un incendie ou une explosion pourrait causer des brûlures graves voire la mort.

Le démarrage du moteur produit des étincelles qui pourraient entraîner un incendie ou une explosion.

- S'il y a une fuite de gaz naturel ou PL dans l'endroit où vous êtes, ne pas démarrer le moteur.
- Ne pas utiliser de fluides sous pression car les vapeurs sont inflammables.



AVERTISSEMENT
RISQUE LIÉ AUX GAZ TOXIQUES. Les gaz d'échappement du moteur contiennent du monoxyde de carbone, un gaz toxique pouvant provoquer la mort en quelques minutes. Même si vous ne sentez pas de vapeurs d'échappement, vous pourriez quand même être exposé(e) au dangereux gaz de monoxyde de carbone. Si vous vous sentez malade, étourdi ou faible en utilisant ce produit, sortez au grand air IMMÉDIATEMENT. Voir un médecin. Vous pourriez être intoxiqué(e) par le monoxyde de carbone.

- Le gaz de monoxyde de carbone peut s'accumuler dans les espaces occupés. Pour réduire le risque d'accumulation de gaz de monoxyde de carbone, utiliser ce produit UNIQUEMENT à l'extérieur et à l'écart des fenêtres, portes et événements.
- Installer des avertisseurs de monoxyde de carbone fonctionnant à piles ou alimentés par câble avec batterie de secours, conformément aux directives du fabricant. Les détecteurs de fumée ne peuvent pas détecter le monoxyde de carbone.
- NE PAS utiliser ce produit dans les maisons, garages, sous-sol, vides sanitaires, ou autres espaces partiellement clos, même si des ventilateurs sont utilisés ou des portes et fenêtres sont laissées ouvertes pour de la ventilation. Après l'utilisation de ce produit, le monoxyde de carbone peut rapidement s'accumuler dans ces espaces et y rester pendant des heures.
- TOUJOURS mettre ce produit dans le sens du vent et diriger l'échappement du moteur à l'opposé des espaces occupés.



AVERTISSEMENT
Une rétraction rapide du cordon du démarreur (effet de rebond) a pour effet de tirer votre main et votre bras en direction du moteur plus rapidement qu'il n'est possible de le lâcher, ce qui pourrait provoquer des fêlures, des fractures osseuses, des contusions ou des entorses.

- Pour empêcher les rebonds lors du démarrage du moteur, tirer le cordon du démarreur lentement jusqu'à ce qu'une résistance soit ressentie, puis tirer rapidement.
- Avant de démarrer le moteur, débrancher ou retirer tout équipement et charge externe.
- S'assurer que les accessoires directement accouplés à la machine tels que, sans toutefois s'y limiter, les lames, roues de pompe, poulies et roues dentées, sont fixés de façon sécuritaire.



AVERTISSEMENT

Les pièces rotatives peuvent enrouler les mains, les pieds, les cheveux, les vêtements ou les accessoires et entraîner une amputation traumatique ou une lacération.

- Faire fonctionner la machine avec les gardes correctement installés.
- Tenir les mains et les pieds à l'écart des lames rotatives.
- Enlever les bijoux et s'assurer que les cheveux longs sont éloignés de toutes les pièces rotatives.
- Ne pas porter de vêtements amples ou d'articles qui pourraient se prendre dans la machine.



AVERTISSEMENT

Lors de la mise en marche, le moteur et le silencieux deviennent chauds. Si vous touchez un moteur chaud, des brûlures thermiques peuvent survenir.

Les matières combustibles telles que les feuilles, le gazon et les broussailles, peuvent s'enflammer.

- Avant de toucher le moteur ou le silencieux, arrêter le moteur et attendre deux (2) minutes. S'assurer que le moteur et le silencieux peuvent être touchés sans risque.
- Enlever les débris se trouvant à proximité du silencieux et du moteur.

L'utilisation ou le fonctionnement du moteur sur des terrains forestiers, broussailleux ou herbeux constituent une violation de la Section 4442 du Code des ressources publiques de Californie (California Public Resource Code), à moins que le système d'échappement ne soit équipé d'un pare-étincelles, comme le définit la Section 4442, maintenu en bon état de marche. D'autres États ou juridictions fédérales peuvent avoir des lois similaires; consulter le Règlement fédéral 36 CFR, section 261.52. Communiquez avec le fabricant, le détaillant ou le revendeur d'origine de l'équipement pour obtenir un pare-étincelles conçu pour le système d'échappement installé sur ce moteur.



AVERTISSEMENT

Une étincelle de moteur accidentelle peut causer un choc électrique ou une explosion provoquant un étranglement, une amputation traumatique ou une lacération.

Avant de faire des ajustements ou des réparations :

- Débrancher tous les câbles de bougie et les garder à l'écart des bougies.
- Débrancher le câble de batterie à la borne négative de la batterie (uniquement sur les moteurs avec démarrage électrique).
- Utiliser uniquement les outils appropriés.

Quand vous vérifiez s'il y a étincelle :

- Utiliser un vérificateur de bougies d'allumage approuvé.
- Ne pas vérifier s'il y a étincelle lorsque la bougie est enlevée.



AVERTISSEMENT

Les vapeurs de carburant sont inflammables et explosives. Un incendie ou une explosion pourrait causer des brûlures graves voire la mort.

S'il y a odeur de gaz

- Ne pas démarrer le moteur.
- Ne pas mettre en marche les commutateurs électriques.
- Ne pas se servir d'un téléphone à proximité.
- Évacuez la zone.
- Contacter le fournisseur de gaz ou le service d'incendie.

Caractéristiques et commandes

Commandes du Moteur









Comparer les lettres des figures 1, 2, 3, et 4 aux commandes du moteur dans la liste qui suit :

- Numéros d'identification du moteur **Modèle - Type - Code**
- Bougie
- Réservoir de carburant et bouchon
- Filtre à air
- Poignée du cordon du démarreur
- Bouchon et jauge d'huile
- Bouchon de vidange d'huile
- Silencieux, capot protecteur du silencieux (si installé), pare-étincelles (si installé)

- I. Commande d'étrangleur
- J. Manette des gaz (si installée)
- K. Levier pour allumage et carburant TransportGuard™
- L. Grille d'entrée d'air
- M. Réducteur à engrenages (si installé)
- N. Interrupteur d'arrêt (si installé)
- O. Interrupteur de démarrage électrique, (si installé)¹

¹ Certains moteurs et équipements sont munis de commandes à distance. Pour localiser et utiliser les commandes à distance, consulter le manuel de la machine.

Symboles de commande du moteur et significations

 Vitesse du moteur – RAPIDE	 Vitesse du moteur – LENT
 Vitesse du moteur – ARRÊT	 MARCHÉ - ARRÊT
 Démarrage du moteur Étrangleur FERMÉ	 Démarrage du moteur Étrangleur OUVERT
 Bouchon du réservoir de carburant Robinet d'alimentation de carburant OUVERT	 Robinet d'alimentation de carburant FERMÉ

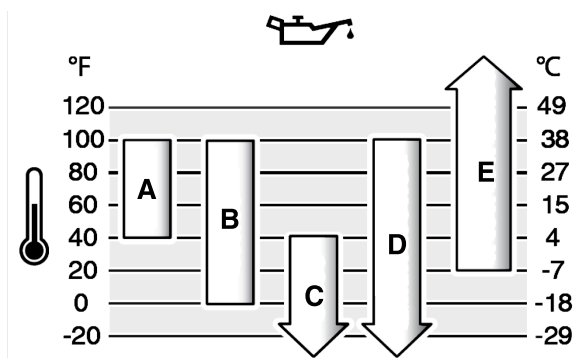
Fonctionnement

Recommandations relatives à l'huile

Volume maximal d'huile : Se reporter à la section **Spécifications**.

Nous recommandons l'utilisation d'huiles certifiées par garantie Briggs & Stratton® pour les meilleures performances. D'autres huiles détergentes de haute qualité sont acceptables si classées pour service SF, SG, SH, SJ ou supérieure. Ne pas utiliser d'additifs spéciaux.

Utiliser le tableau pour sélectionner la meilleure viscosité pour la plage de températures extérieures prévues. Les moteurs sur la plupart des équipements motorisés d'extérieur fonctionnent bien avec l'huile synthétique 5W-30. Pour l'équipement fonctionnant à haute température, l'huile synthétique 15W-50 de Vanguard® offre la meilleure protection.



A	SAE 30 - En dessous de 40 °F (4 °C), l'utilisation de SAE 30 causera une difficulté de mise en marche.
B	10W-30 - Au-dessus de 80 °F (27 °C), l'utilisation de 10W-30 peut causer une augmentation de la consommation d'huile. Vérifier régulièrement le niveau d'huile.
C	5W-30
D	Synthétique 5W-30
E	Synthétique 15W-50 de Vanguard®

Vérifier le niveau d'huile.

Avant la vérification et l'ajout d'huile

- S'assurer que la machine est nivelée.
- Débarrasser de tout débris la zone de remplissage d'huile.
- Consulter la section **Spécifications** pour le volume maximal d'huile.

AVIS

Ce moteur a été livré par Briggs & Stratton sans huile. Les fabricants d'équipement ou concessionnaires pourraient avoir ajouté de l'huile au moteur. Avant de démarrer le moteur pour la première fois, s'assurer que l'huile est au niveau approprié. Ajouter de l'huile, conformément aux instructions dans le présent manuel. Si le moteur est démarré sans huile, des dommages se produiront et le moteur ne sera pas réparé aux termes de la garantie.

1. Retirer la jauge à huile (A, Figure 5) et l'essuyer avec un chiffon.
2. Remettre la jauge (A, Figure 5) en place. **NE PAS tourner ou serrer la jauge d'huile.**
3. Sortir la jauge et vérifier le niveau d'huile. Confirmer que le niveau d'huile est au-dessus de la marque du haut de la jauge (B, figure 5).
4. Si le niveau d'huile est bas, verser l'huile lentement dans le tube de remplissage du moteur (C, figure 5). Ne pas ajouter trop d'huile. Après avoir ajouté l'huile, attendre une minute, puis vérifier le niveau d'huile. S'assurer que le niveau d'huile est approprié.
5. Replacer et serrer le bouchon-jauge (A, figure 5).

Système de protection pour le bas niveau d'huile (si installé)

Un détecteur de niveau bas d'huile est installé sur certains moteurs. Si le niveau d'huile est bas, le détecteur affichera un voyant d'avertissement ou arrêtera le moteur. Arrêter le moteur et suivre les étapes ci-après avant de démarrer le moteur.

- S'assurer que la machine est de niveau.
- Vérifier l'huile. Consulter la section **Vérifier le niveau d'huile**.
- Si le niveau d'huile est bas, ajouter la quantité d'huile appropriée. Démarrer le moteur et s'assurer que le voyant d'avertissement (si installé) ne s'allume pas.
- Si le niveau d'huile n'est pas bas, ne pas démarrer le moteur. Contacter un détaillant autorisé de service de Briggs & Stratton pour corriger le problème d'huile.

Recommandations de carburant

Le carburant doit répondre aux critères suivants :

- Essence sans plomb neuve et propre.
- Au minimum 87 octanes/87 AKI (91 RON). Utilisation en haute altitude, voir ci-dessous.
- De l'essence avec jusqu'à 10 % d'éthanol (alco-essence) est permise.

AVIS

Ne pas utiliser d'essence non approuvée telle que E15 et E85. Ne pas mélanger de l'huile avec de l'essence ni modifier le moteur afin de pouvoir utiliser des carburants alternatifs. L'utilisation de carburants non approuvés pourrait endommager les composants du moteur, qui ne seront pas réparés aux termes de la garantie.

Pour protéger le système de carburant de la gomme et de la corrosion, mélanger un stabilisateur de carburant sans alcool et un traitement à base d'éthanol dans le carburant. Consulter la section **Entreposage**. Tous les carburants ne sont pas identiques. Si des problèmes de démarrage ou de performance se produisent, changer de fournisseur ou de marque de carburant. Ce moteur est certifié pour fonctionner à l'essence. Le système de contrôle des émissions pour les moteurs à carburateur est EM (Modifications du moteur). Le système de contrôle des émissions pour les moteurs à système d'injection électronique est ECM (module de gestion du moteur), MPI (injection multiport), et, le cas échéant, O2S (capteur d'oxygène).

Haute altitude

Aux altitudes supérieures à 5 000 pieds (1 524 mètres), du carburant à octane minimum de 85/85 AKI (89 RON) est permis.

Pour les moteurs carburés, un réglage pour les hautes altitudes est requis pour maintenir la performance. Faire fonctionner le moteur sans ce réglage donnera lieu à une performance réduite, une consommation de carburant supérieure et une augmentation des émissions. Consulter un détaillant autorisé de service Briggs & Stratton pour avoir des informations sur les ajustements de haute altitude. Il n'est pas recommandé de faire fonctionner le moteur à une altitude inférieure à 2 500 pieds (762 mètres) avec l'ajustement de haute altitude.

Pour les moteurs à système d'injection de carburant électronique (EFI), aucun ajustement de haute altitude est nécessaire.

Ajouter le carburant



AVERTISSEMENT

Le carburant et ses vapeurs sont inflammables et explosives. Un incendie ou une explosion pourrait causer des brûlures graves voire la mort.

Lors de l'ajout de carburant

- Arrêter le moteur. Lorsque vous retirez le bouchon de carburant, attendre au moins deux (2) minutes pour s'assurer que le moteur est froid.
 - Remplir le réservoir de carburant à l'extérieur ou à un endroit avec une bonne circulation d'air.
 - Ne pas mettre trop de carburant dans le réservoir. Pour l'expansion du carburant, ne pas remplir au-dessus du goulot du réservoir de carburant.
 - Garder le carburant loin des étincelles, des flammes nues, des veilleuses, de la chaleur et des autres sources d'inflammation.
 - Examiner régulièrement les conduites de carburant, le réservoir de carburant, le bouchon de carburant et les raccords pour détecter toute fissure ou fuite. Remplacer les pièces endommagées.
 - Si le carburant se renverse, attendre jusqu'à ce qu'il sèche avant de démarrer le moteur.
1. Nettoyer la zone autour du bouchon de réservoir en enlevant toute la poussière et les débris. Retirer le bouchon de carburant.
 2. Remplir le réservoir de carburant (A, Figure 6) de carburant. Puisque le carburant prendra de l'expansion, ne pas remplir au-dessus de la base du col du réservoir de carburant (B).
 3. Replacer le bouchon du réservoir de carburant.

Démarrer le moteur



AVERTISSEMENT

Une rétraction rapide du cordon du démarreur (effet de rebond) tirera votre main et votre bras vers le moteur plus rapidement que l'on ne peut relâcher le cordon du démarreur. Des os cassés, des fractures, des bleus ou des foulures peuvent en résulter. Pour empêcher les rebonds lors du démarrage du moteur, tirer le cordon du démarreur lentement jusqu'à ce qu'une résistance soit ressentie, puis tirer rapidement.



AVERTISSEMENT

Les évaporations gazeuses sont inflammables et explosives. Un incendie ou une explosion pourrait causer des brûlures graves voire la mort.

Lors du démarrage du moteur

- Veiller à ce que la bougie d'allumage, le silencieux, et le filtre à air (le cas échéant) soient correctement installés.
- Lorsque la bougie d'allumage est enlevée, ne pas mettre le moteur en marche.
- S'il y a une fuite de gaz naturel ou PL dans l'endroit où vous êtes, ne pas démarrer le moteur.



AVERTISSEMENT

RISQUE LIÉ AUX GAZ TOXIQUES. Les gaz d'échappement du moteur contiennent du monoxyde de carbone, un gaz toxique pouvant provoquer la mort en quelques minutes. Même si vous ne sentez pas de vapeurs d'échappement, vous pourriez quand même être exposé(e) au dangereux gaz de monoxyde de carbone. Si vous vous sentez malade, étourdi ou faible en utilisant ce produit, sortez au grand air IMMÉDIATEMENT. Voir un médecin. Vous pourriez être intoxiqué(e) par le monoxyde de carbone.

- Le gaz de monoxyde de carbone peut s'accumuler dans les espaces occupés. Pour réduire le risque d'accumulation de gaz de monoxyde de carbone, utiliser ce produit UNIQUEMENT à l'extérieur et à l'écart des fenêtres, portes et événements.
- Installer des avertisseurs de monoxyde de carbone fonctionnant à piles ou alimentés par câble avec batterie de secours, conformément aux directives du fabricant. Les détecteurs de fumée ne peuvent pas détecter le monoxyde de carbone.
- NE PAS utiliser ce produit dans les maisons, garages, sous-sol, vides sanitaires, ou autres espaces partiellement clos, même si des ventilateurs sont utilisés ou des portes et fenêtres sont laissées ouvertes pour de la ventilation. Après l'utilisation de ce produit, le monoxyde de carbone peut rapidement s'accumuler dans ces espaces et y rester pendant des heures.
- TOUJOURS mettre ce produit dans le sens du vent et diriger l'échappement du moteur à l'opposé des espaces occupés.

AVIS

Ce moteur a été livré par Briggs & Stratton sans huile. Les fabricants d'équipement ou concessionnaires pourraient avoir ajouté de l'huile au moteur. Avant de démarrer le moteur pour la première fois, s'assurer que l'huile est au niveau approprié. Ajouter de l'huile, conformément aux instructions dans le présent manuel. Si le moteur est démarré sans huile, des dommages se produiront et le moteur ne sera pas réparé aux termes de la garantie.

1. Contrôlez le niveau d'huile du moteur. Voir la rubrique **Contrôle du niveau d'huile**.
2. S'assurer que les commandes d'entraînement de l'équipement, si installées, sont débrayées.
3. Tourner le levier d'allumage ou de commande des gaz (A, Figure 7), si installé, à la position DÉMARRER.
4. Déplacer le levier de commande du régime moteur (B, Figure 7), si installé, à la position RAPIDE. Faites fonctionner le moteur sur la position RAPIDE.
5. Déplacer la commande d'étranglement (C, Figures 7, 8) à la position FERMÉ.

REMARQUE : L'étrangleur n'est généralement pas nécessaire lorsqu'on démarre un moteur chaud.

6. Mettre l'interrupteur d'arrêt (E, Figure 8), si installé, sur la position MARCHÉ.
7. **Démarrage à rappel, si installé :** Tenir fermement la poignée du cordon du démarreur (D, Figure 7, 8). Tirer la poignée du cordon du démarreur lentement jusqu'à ce qu'une résistance soit ressentie, puis tirer rapidement.



AVERTISSEMENT

Une rétraction rapide du cordon du démarreur (effet de rebond) tirera votre main et votre bras vers le moteur plus rapidement que l'on ne peut relâcher le cordon du démarreur. Des os cassés, des fractures, des bleus ou des foulures peuvent en résulter. Pour empêcher les rebonds lors du démarrage du moteur, tirer le cordon du démarreur lentement jusqu'à ce qu'une résistance soit ressentie, puis tirer rapidement.

8. **Démarrage électrique, si installé :** Tourner l'interrupteur de démarrage électrique (F, Figure 8) à la position MARCHÉ ou DÉMARRER.

AVIS

Pour prolonger la durée de vie du démarreur, utiliser des cycles de démarrage courts (cinq secondes maximum). Attendre une minute entre les cycles de démarrage.

9. Au fur et à mesure que le moteur se réchauffe, déplacer la commande d'étranglement (C, Figures 7, 8) à la position OUVERT.

Si le moteur ne démarre pas après plusieurs 3 ou 4 tentatives, communiquer avec un détaillant local, visiter vanguardpower.com ou composer le 1-800-999-9333.

Arrêter le moteur



AVERTISSEMENT

Le carburant et ses vapeurs sont inflammables et explosives. Un incendie ou une explosion pourrait causer des brûlures graves voire la mort.

- Ne pas étrangler le carburateur (le cas échéant) pour arrêter le moteur.

1. **Interrupteur d'arrêt, si installé :** Mettre l'interrupteur d'arrêt (E, Figure 9) sur la position STOP.
2. **Levier pour allumage et carburant, si installé :** Placer le levier d'allumage et de commande des gaz (A, Figure 10) à la position ARRÊT.
3. **Démarrage électrique, si installé :** Retirer la clé et la conserver hors de la portée des enfants.

Entretien

Information sur l'entretien



AVERTISSEMENT

Le carburant et ses vapeurs sont inflammables et explosives. Un incendie ou une explosion pourrait causer des brûlures graves voire la mort.

Durant l'entretien, s'il est nécessaire d'incliner l'appareil, s'assurer que le réservoir de carburant, si monté sur le moteur, est vide et que le côté bougie se trouve en haut. Si le réservoir de carburant n'est pas vide, une fuite peut se produire et provoquer un incendie ou une explosion. Si le moteur est incliné dans une différente direction, il ne se mettra pas en marche facilement en raison de la contamination de l'huile ou du carburant du filtre à air ou de la bougie.



AVERTISSEMENT

Une étincelle de moteur accidentelle peut causer un choc électrique ou une explosion provoquant un étranglement, une amputation traumatique ou une lacération.

Avant de faire des ajustements ou des réparations :

- Débrancher tous les câbles de bougie et les garder à l'écart des bougies.
- Débrancher le câble de batterie à la borne négative de la batterie (uniquement sur les moteurs avec démarrage électrique).
- Utiliser uniquement les outils appropriés.

Quand vous vérifiez s'il y a étincelle :

- Utiliser un vérificateur de bougies d'allumage approuvé.
- Ne pas vérifier s'il y a étincelle lorsque la bougie est enlevée.



AVERTISSEMENT

Les pièces de rechange doivent être de la même conception et installées dans la même position que les pièces d'origine. D'autres pièces pourraient causer des dommages ou une blessure.

AVIS

Pour un fonctionnement adéquat, tous les composants utilisés pour fabriquer ce moteur doivent demeurer bien en place.

Consulter un détaillant autorisé de service Briggs & Stratton pour tout entretien et toute réparation du moteur et des pièces de moteur.

Calendrier d'entretien

Les 5 premières heures
<ul style="list-style-type: none"> • Changer l'huile du moteur¹.
Aux intervalles de 8 heures ou quotidiennement
<ul style="list-style-type: none"> • Vérifier le niveau d'huile moteur. • Nettoyer la région autour des commandes et du silencieux. • Nettoyer la grille d'admission d'air.
Toutes les 25 heures de fonctionnement ou annuellement
<ul style="list-style-type: none"> • Nettoyer le filtre à air¹. • Nettoyer le pré-filtre.
Toutes les 50 heures de fonctionnement ou annuellement
<ul style="list-style-type: none"> • Vidanger l'huile moteur. • Service du système d'échappement.
Toutes les 100 heures de fonctionnement ou annuellement
<ul style="list-style-type: none"> • Remplacer l'huile pour réducteur à engrenages (le cas échéant)
Chaque année
<ul style="list-style-type: none"> • Changer la bougie. • Remplacer le filtre à air. • Remplacer l'avant-filtre. • Effectuer l'entretien du système de refroidissement¹. • Vérifier le jeu des soupapes².

¹ Nettoyer plus souvent dans des conditions poussiéreuses ou lorsque beaucoup de particules se trouvent dans l'air.

² Non nécessaire, sauf en cas de problèmes de performance du moteur.

Service de contrôle des émissions

Pour l'entretien, le remplacement ou la réparation des dispositifs et systèmes de contrôle des émissions, communiquer avec un établissement de réparations de moteur hors route ou un technicien d'entretien qualifié. Cependant, pour un service après-vente « gratuit » du contrôle des émissions, le travail doit être effectué par un détaillant autorisé de l'usine. Consulter les énoncés sur le contrôle des émissions.

Vitesse du carburateur et du moteur

Ne pas faire de réglages au carburateur, au ressort du régulateur, à la tringlerie ou à d'autres pièces pour ajuster la vitesse du moteur. Si des réglages sont nécessaires, consulter un détaillant autorisé de service de Briggs & Stratton pour un entretien.

AVIS

Le fabricant de l'équipement spécifie la vitesse maximale du moteur, tel qu'installé sur l'équipement. Ne pas dépasser cette vitesse. Si vous n'êtes pas certain(e) de la vitesse maximale de la machine ou de la vitesse à laquelle le moteur est réglé par défaut, communiquer avec un détaillant autorisé de service de Briggs & Stratton pour obtenir de l'aide. Pour un fonctionnement adéquat et sécuritaire de l'équipement, la vitesse du moteur devrait uniquement être ajustée par un technicien d'entretien qualifié.

Entretien de la bougie d'allumage

Vérifier l'écartement des électrodes (A, Figure 11) avec le calibre du fil (B). Au besoin, définir l'écartement des électrodes. Installer et serrer la bougie au couple correct. Pour les spécifications en matière d'écartement et de couple, voir la section **Spécifications**.

Entretien du système d'échappement



AVERTISSEMENT

Lors de la mise en marche, le moteur et le silencieux deviennent chauds. Si vous touchez un moteur chaud, des brûlures thermiques peuvent survenir.

Les matières combustibles telles que les feuilles, le gazon et les broussailles, peuvent s'enflammer.

- Avant de toucher le moteur ou le silencieux, arrêter le moteur et attendre deux (2) minutes. S'assurer que le moteur et le silencieux peuvent être touchés sans risque.
- Enlever les débris se trouvant à proximité du silencieux et du moteur.

L'utilisation ou le fonctionnement du moteur sur des terrains forestiers, broussailleux ou herbeux constitue une violation de la Section 4442 du Code des ressources publiques de Californie (California Public Resource Code), à moins que le système d'échappement ne soit équipé d'un pare-étincelles, comme le définit la Section 4442, maintenu en bon état de marche. D'autres États ou juridictions fédérales peuvent avoir des lois similaires; consulter le Règlement fédéral 36 CFR, section 261.52. Communiquez avec le fabricant, le détaillant ou le revendeur d'origine de l'équipement pour obtenir un pare-étincelles conçu pour le système d'échappement installé sur ce moteur.

Enlever tous débris de la section du silencieux et de la section du cylindre. Recherchez la présence de fissures, de corrosion ou d'autres dommages sur le silencieux. Déposer le déflecteur ou pare-flammes de retour (le cas échéant) et s'assurer qu'il n'y a pas de blocage de dépôts de carbone. Si des dommages sont découverts, installer les pièces de remplacement avant d'utiliser l'équipement.



AVERTISSEMENT

Les pièces de rechange doivent être de la même conception et installées dans la même position que les pièces d'origine. D'autres pièces pourraient causer des dommages ou une blessure.

Changement de l'huile à moteur



AVERTISSEMENT

Le carburant et ses vapeurs sont inflammables et explosives. Un incendie ou une explosion pourrait causer des brûlures graves voire la mort.

Lors de la mise en marche, le moteur et le silencieux deviennent chauds. Si vous touchez un moteur chaud, des brûlures thermiques peuvent survenir.

- Si la vidange de l'huile est faite par le tube de remplissage du haut, le réservoir de carburant doit être vide. Si le réservoir n'est pas vide, une fuite de carburant peut se produire et provoquer un incendie ou une explosion.
- Avant de toucher le moteur ou le silencieux, arrêter le moteur et attendre deux (2) minutes. S'assurer que le moteur et le silencieux peuvent être touchés sans risque.

L'huile vidangée est un produit de résidus dangereux et doit être jetée de la bonne façon. Ne pas la jeter avec les déchets ménagers. Communiquer avec les autorités locales, les centres de services ou le concessionnaire pour connaître les méthodes d'élimination sûres ou les installations de recyclage.

Vidange d'huile

1. Pendant que le moteur est arrêté, mais encore chaud, débrancher le câble de la bougie (D, Figure 12) et le tenir à l'écart de la bougie (E).
2. Déposer le bouchon de vidange d'huile (F, Figure 13). Vidanger l'huile dans un récipient approuvé.

REMARQUE : On peut installer tous les bouchons de vidange d'huile (G, Figure 13) sur le moteur.

3. Installer et serrer le bouchon de vidange d'huile (F, Figure 13).

Ajouter de l'huile

- S'assurer que le moteur est de niveau.
- Débarrasser de tout débris la zone de remplissage d'huile.
- Consulter la section **Spécifications** pour le volume maximal d'huile.

1. Retirer le bouchon-jauge (A, Figure 1). Essuyer l'huile avec un chiffon propre.
2. Ajouter l'huile lentement dans le tube de remplissage (C, Figure 1). **Ne pas verser trop d'huile dans le remplissage d'huile du moteur.** Attendre une minute, puis vérifier le niveau d'huile.

REMARQUE : Ne pas ajouter d'huile au niveau de la vidange d'huile rapide (si équipé).

3. Replacer et serrer le bouchon-jauge (A, figure 1).
4. Sortir la jauge et vérifier le niveau d'huile. Le niveau d'huile adéquat est au-dessus de la marque du haut de la jauge (B, Figure 1).
5. Replacer et serrer le bouchon-jauge (A, figure 1).
6. Brancher le câble des bougies aux bougies. Voir la section **Vidanger l'huile.**

Vidanger l'huile du réducteur à engrenages

Certains moteurs sont équipés d'un réducteur à engrenages. Si vous en êtes équipé, consultez les étapes suivantes pour l'un des réducteurs à engrenages suivants.

Boîte de démultiplication de la chaîne 2:1

Si le moteur est installé avec un réducteur à chaîne 2:1 (G, Figure 14), une vidange d'huile n'est pas nécessaire. L'huile dans le moteur lubrifie également la boîte de démultiplication de la chaîne.

Boîte de démultiplication 6:1

Si votre moteur est muni d'un réducteur à engrenages 6:1, procéder aux étapes suivantes :

1. Retirer le bouchon de remplissage d'huile (A, Figure 15) et le bouchon de niveau d'huile (B).
2. Retirer le bouchon de vidange d'huile (C, Figure 15) et vidanger l'huile dans un contenant approuvé.
3. Poser et serrer le bouchon de vidange d'huile (C, Figure 15).
4. Ajouter lentement de l'huile pour réducteur à engrenages (80W-90) dans l'orifice de remplissage d'huile (D, Figure 15). Continuer à ajouter de l'huile pour réducteur à engrenages (80W-90) jusqu'à ce que de l'huile sorte du trou de niveau d'huile (E).
5. Poser et serrer le bouchon de niveau d'huile (B, Figure 15).
6. Poser et serrer le bouchon de remplissage d'huile (A, Figure 15).

REMARQUE : Le bouchon de remplissage d'huile (A, Figure 15) a un trou d'évent (F) et doit être monté sur le dessus du couvercle du carter d'engrenage comme montré.

Entretien du filtre à air



AVERTISSEMENT

Les vapeurs de carburant sont inflammables et explosives. Un incendie ou une explosion pourrait causer des brûlures graves voire la mort.

- Ne jamais démarrer et faire fonctionner le moteur lorsque l'assemblage de filtre à air (le cas échéant) ou le filtre à air (le cas échéant) est retiré.

AVIS

Ne pas utiliser d'air comprimé ni de solvant pour nettoyer le filtre. L'air sous pression pourrait endommager le filtre et les solvants peuvent dissoudre le filtre.

Pour les exigences de service, voir le **Calendrier d'entretien.**

Différents modèles utiliseront un filtre en mousse ou en papier. Certains modèles pourraient également avoir un pré-filtre optionnel qui peut être nettoyé et réutilisé. Comparer les illustrations du présent manuel avec le type installé sur votre moteur et faire la maintenance correspondante.

Filtre à air en mousse

1. Desserrer l'attache ou les attaches (A, Figure 16).
2. Retirer le couvercle (B, Figure 16), l'attache (D) et la rondelle (E).
3. Retirer l'élément en mousse (C, Figure 16) de la base du filtre à air (G).
4. Retirer la coupelle de support (F, Figure 16) de l'élément en mousse (C).
5. Nettoyer l'élément en mousse (C, Figure 16) dans une solution d'eau et de détergent liquide. Presser l'élément de mousse dans un linge propre pour l'assécher.
6. Tremper l'élément en mousse (C, Figure 16) dans de l'huile moteur propre. Pour retirer l'excès d'huile, presser l'élément de mousse avec un linge propre.
7. Installer la coupelle de support (F, Figure 16) dans l'élément en mousse (C).

8. Installer l'élément en mousse (C, Figure 16) dans la base du filtre à air (G) et sur la tige filetée (H). S'assurer que l'élément de mousse est correctement fixé sur la base du filtre à air à l'aide d'une rondelle (E) et d'une attache (D).
9. Installer le couvercle (B, Figure 16) à l'aide de la ou des attache(s) (A). S'assurer que les attaches sont vissées solidement.

Filtre à air de papier

1. Desserrer l'attache ou les attaches (A, Figure 17).
2. Retirer le couvercle (B, Figure 17) et l'attache (E).
3. Retirer doucement le pré-filtre (D, Figure 17), le cas échéant, et le filtre à air (C) de la base du filtre à air (F).
4. Tapoter doucement le filtre à air (C, Figure 17) sur une surface dure. Si le filtre à air est sale, il doit être remplacé.
5. Retirer le pré-filtre (D, Figure 17), si installé, du filtre à air (C).
6. Nettoyer le pré-filtre (D, Figure 17) au détergent liquide et à l'eau. Veiller à ce que le pré-filtre soit complètement sec. **NE PAS** lubrifier le pré-filtre.
7. Assembler le pré-filtre sec (D, Figure 17), si installé, au filtre à air (C).
8. Installer la rondelle en acier (H, Figure 17), le filtre à air (C) et le pré-filtre (D), s'il est installé, sur la base du filtre à air (F) et sur la tige (G). Veiller à ce que le filtre à air soit correctement assemblé à la base du filtre à air à l'aide d'une attache (E).
9. Installer le couvercle (B, Figure 17) à l'aide de la ou des attache(s) (A). S'assurer que les attaches sont vissées solidement.

Filtre à air de papier

1. Desserrer les attaches (D, Figure 18).
2. Retirer le couvercle (A, Figure 18).
3. Retirer le pré-filtre (C, Figure 18), le cas échéant, et le filtre (B).
4. Pour faire tomber les débris, tapoter doucement le filtre (B, Figure 18) sur une surface dure. Si le filtre est sale, le remplacer par un filtre neuf.
5. Laver le pré-filtre (C, Figure 18), le cas échéant, avec un détergent liquide et de l'eau. Laisser le pré-filtre sécher complètement à l'air. **NE PAS** lubrifier le pré-filtre.
6. Réinstaller le pré-filtre sec (C, Figure 18), le cas échéant, et le filtre (B).
7. Installer le couvercle (A, Figure 18) et fixer à l'aide des attaches (D). S'assurer que les attaches sont vissées solidement.

Entretien du système de carburant



AVERTISSEMENT

Le carburant et ses vapeurs sont inflammables et explosives. Un incendie ou une explosion pourrait causer des brûlures graves voire la mort.

- Garder le carburant loin des étincelles, des flammes nues, des veilleuses, de la chaleur et des autres sources d'inflammation.
- Examiner régulièrement les conduites de carburant, le réservoir de carburant, le bouchon de carburant et les raccords pour détecter toute fissure ou fuite. Remplacer les pièces endommagées.
- Si le carburant se renverse, attendre jusqu'à ce qu'il sèche avant de démarrer le moteur.

Filtre de carburant, si installé

1. Avant de remplacer le filtre à carburant (A, Figure 19), vidanger le réservoir de carburant ou fermer le robinet d'arrêt de carburant. Si le réservoir de carburant n'est pas vidangé, une fuite de carburant peut survenir et causer un incendie ou une explosion.
2. Presser les languettes (B, Figure 19) sur les brides (C) avec des pinces. Glisser les brides en retrait du filtre à carburant (A).
3. Tourner et retirer les conduites de carburant (D, Figure 19) du filtre à carburant.
4. Examiner les conduites de carburant (D, Figure 19) pour toute présence de fissures ou fuites. Si nécessaire, remplacer les conduites de carburant.
5. Changer le filtre à carburant (A, Figure 19).
6. Fixer les conduites de carburant (D, Figure 19) avec des brides (C).

Filtre à carburant, si installé

1. Retirer le bouchon du réservoir de carburant (A, Figure 20).
2. Retirer la crépine du réservoir de carburant (B, Figure 20).
3. Si celle-ci est sale ou obstruée, la nettoyer ou la remplacer. Si vous remplacez la crépine, assurez-vous d'utiliser une pièce d'origine.

Entreposage

Système de carburant

Voir la figure : 21.

AVERTISSEMENT



Le carburant et ses vapeurs sont inflammables et explosives. Un incendie ou une explosion pourrait causer des brûlures graves voire la mort.

Entreposage de carburant

- Puisque les veilleuses et autres sources d'allumage peuvent causer des explosions, garder le carburant ou l'équipement loin des fournaies, des poêles, des chauffe-eaux ou autres appareils ayant des veilleuses.

Maintenir le moteur au niveau (position de fonctionnement normal). Remplir le réservoir de carburant (A, Figure 21) avec du carburant. Pour prendre en compte l'expansion du carburant, ne pas remplir le réservoir de carburant au-dessus de la base du col (B).

Le carburant peut se dégrader lorsqu'il est conservé dans un contenant pendant plus de 30 jours. On recommande l'utilisation d'un stabilisateur de carburant sans alcool et d'un traitement à base d'éthanol dans le contenant d'entreposage pour éviter la dégradation du carburant et garder sa fraîcheur.

Au moment de remplir le réservoir de carburant, ajouter un stabilisateur de carburant sans alcool, conformément aux instructions du fabricant. Si le carburant dans le moteur n'a pas été traité avec un stabilisateur de carburant, il doit être vidangé dans un récipient approuvé. Faire fonctionner le moteur jusqu'à ce qu'il n'y ait plus de carburant.

Huile à moteur

Pendant que le moteur est encore chaud, remplacer l'huile. Consulter la section **Changer l'huile moteur**.

Dépannage

Aide

Pour obtenir de l'aide, communiquer avec un détaillant local ou visiter **BRIGGSandSTRATTON.COM** ou composer **1-800-444-7774** (aux USA).

Spécifications

Spécifications et pièces de remplacement

Modèle : 130000	
Cylindrée	12.48 po ³ (205 cc)
Alésage	2.688 po (68,28 mm)
Course	2.2 po (55,88 mm)
Volume d'huile	20 - 22 oz (,59 - ,65 l)
Type d'huile pour réducteur à engrenages	80W-90
Volume maximal d'huile pour réducteur à engrenages	4 oz (,12 L)
Écartement des électrodes de bougie	.030 po (,76 mm)
Couple de serrage de bougie	180 lb-po (20 Nm)
Entrefer armature/carcasse	.010 - .014 po (,25 - ,36 mm)
Jeu de soupape d'admission	.004 - .006 po (,10 - ,15 mm)
Jeu de soupape d'échappement	.009 - .011 po (,23 - ,28 mm)

Modèle : 190000	
Cylindrée	18.63 po ³ (305 cc)
Alésage	3.120 po (79,24 mm)
Course	2.2 po (55,88 mm)
Volume d'huile	26 - 28 oz (,77 - ,83 l)
Type d'huile pour réducteur à engrenages	SAE 30
Volume maximal d'huile pour réducteur à engrenages	12 oz (,35 L)
Écartement des électrodes de bougie	.030 po (,76 mm)
Couple de serrage de bougie	180 lb-po (20 Nm)
Entrefer armature/carcasse	.010 - .014 po (,25 - ,36 mm)
Jeu de soupape d'admission	.004 - .006 po (,10 - ,15 mm)
Jeu de soupape d'échappement	.004 - .006 po (,10 - ,15 mm)

La puissance du moteur sera réduite de 3,5 % pour chaque 1 000 pieds (300 mètres) au-dessus du niveau de la mer, et de 1 % pour chaque 10 °F (5,6 °C) au-dessus de 77 °F (25 °C). Le moteur fonctionnera normalement jusqu'à 15° d'inclinaison. Consulter

le manuel d'utilisation de l'équipement pour connaître les limites d'utilisation sécuritaire sur les pentes.

Pièces de rechange – Modèles : 130000, 190000

Pièce de rechange	Numéro de pièce
Filtre à air mousse (Modèle 130000, Figure 17)	797376
Filtre à air papier (Modèle 130000, Figure 17)	797033
Pré-filtre (Modèle 130000, Figure 17)	798513
Filtre à air papier (Modèle 190000, Figure 18)	797032
Pré-filtre (Modèle 190000, Figure 18)	798795
Filtre à air papier (Figure 19)	474279
Pré-filtre (Figure 19)	491435S
Bougie	491055S
Clé pour bougie d'allumage	19576S, 5402
Vérificateur d'allumage	84003327

Nous recommandons de consulter un concessionnaire Briggs & Stratton agréé pour l'entretien et la réparation du moteur et des pièces de moteur.

Puissance nominale

Les valeurs brutes de puissance nominale de chaque modèle de moteur à essence sont indiquées conformément au code J1940 Procédure d'évaluation de la puissance et du couple nominaux des petits moteurs de la SAE (Society of Automotive Engineers) et sont évaluées conformément à SAE J1995. Les valeurs de couple sont dérivées à 2 600 tr/min pour les moteurs avec « tr/min » sur l'étiquette et 3 060 tr/min pour tous les autres; les valeurs de puissance sont dérivées à 3 600 tr/min. Les courbes de puissance brute peuvent être consultées au www.BRIGGSandSTRATTON.COM. Les valeurs nettes de puissance sont prises alors que l'échappement et le filtre à air sont installés alors que les valeurs brutes de puissance sont mesurées sans ces accessoires. La puissance brute réelle du moteur sera supérieure à la puissance nette du moteur et sera affectée, entre autres, par les conditions de fonctionnement ambiantes ainsi que par les différences entre moteurs. Étant donné la vaste gamme de produits sur lesquels les moteurs sont installés, le moteur à carburant peut ne pas développer la puissance nominale brute lorsqu'il est utilisé pour entraîner une pièce d'appareil donnée. Cette différence est causée par différents facteurs dont, mais sans s'y limiter, la variété des composants du moteur (filtre à air, échappement, chargement, refroidissement, carburateur, pompe à carburant, etc.), les limites de l'appareil, les conditions de fonctionnement ambiantes (température, humidité, altitude) et les différences entre les moteurs. En raison des limites de fabrication et de capacité, Briggs & Stratton peut substituer à ce moteur, un moteur d'une valeur de puissance plus élevée.

Garantie

Garantie sur les moteurs Briggs & Stratton®

En vigueur à compter d'août 2022

Garantie limitée

Briggs & Stratton garantit que, sans frais, pendant la période de couverture de la garantie précisée ci-dessous, elle réparera ou remplacera par une pièce nouvelle, remise à neuf ou reconstruite, et ce, à sa seule discrétion, toute pièce défectueuse comportant un vice de matériau ou un défaut de fabrication ou les deux. En vertu de la présente garantie, les frais de transport du produit soumis pour réparation ou remplacement sont à la charge de l'acheteur. La présente garantie sera en vigueur et soumise aux périodes et conditions stipulées ci-dessous. Pour obtenir des services en vertu de la garantie, veuillez consulter notre outil de recherche d'un détaillant sur BRIGGSandSTRATTON.COM, afin de trouver un détaillant autorisé de service dans votre région. L'acheteur doit communiquer avec le détaillant autorisé de service et mettre ensuite le produit à disposition du détaillant autorisé de service pour inspection et essai.

Il n'existe aucune autre garantie expresse. Les garanties implicites, incluant celles de qualité marchande et d'adaptation à un usage particulier, sont limitées à une période d'un an à partir de la date d'achat ou jusqu'à la limite permise par la loi. Toute garantie implicite est exclue. La responsabilité pour dommages accessoires ou indirects est exclue dans la mesure où une telle exclusion est permise par la loi. Certains états/provinces ou pays n'autorisent aucune restriction sur la durée d'une garantie implicite, et certains états/provinces ou pays n'autorisent pas l'exclusion ou la limitation des dommages consécutifs ou indirects. Par conséquent, les restrictions et exclusions décrites ci-dessus pourraient ne pas s'appliquer dans votre cas. La présente garantie vous donne des droits particuliers et vous pourriez également avoir d'autres droits qui varient d'un État, d'une province ou d'un pays à un autre.

Modalités standard de la garantie^{1, 2}

Vanguard®, Série commerciale

Usage des consommateurs – 36 mois

Modalités standard de la garantie^{1, 2}
Usage commercial – 36 mois
Série XR
Usage des consommateurs – 24 mois
Usage commercial – 24 mois
Tous les autres moteurs comportant une chemise de cylindre en fonte Dura-Bore™
Usage des consommateurs – 24 mois
Usage commercial – 12 mois
Tous les autres moteurs
Usage des consommateurs – 24 mois
Usage commercial – 3 mois

¹ Ce sont nos modalités de garantie standard, mais de temps à autre, une couverture de garantie supplémentaire non déterminée au moment de cette publication pourrait être offerte. Pour la présentation des modalités actuelles de la garantie pour votre moteur, naviguez à BRIGGSandSTRATTON.COM ou communiquez avec votre détaillant autorisé de service Briggs & Stratton.

² Aucune garantie n'est offerte pour les moteurs utilisés sur un équipement de remplacement de service utilitaire, sur les génératrices de secours utilisées à des fins commerciales, sur des véhicules utilitaires dépassant les 25 m/h, ou les moteurs utilisés dans les courses ou dans les camions commerciaux ou de location.

* En Australie – Nos produits sont couverts par des garanties qui ne peuvent pas être exclues en vertu de la loi australienne de protection du consommateur (Australian Consumer Law). Vous avez droit à un remplacement ou à un remboursement en cas de défaillance majeure et en compensation pour toute perte ou tout dommage raisonnablement prévisible. Vous avez également droit à la réparation ou au remplacement des produits si ceux-ci ne sont pas de qualité acceptable et que la défaillance n'équivaut pas à une défaillance majeure. Pour une demande de compensation sous garantie, vous pouvez rechercher le détaillant autorisé de service le plus près avec notre outil de recherche d'un détaillant sur BRIGGSandSTRATTON.COM, composer le 1300 274 447, envoyer un courriel à : salesenquiries@briggsandstratton.com.au, ou nous écrire par la poste à : Briggs & Stratton Australia Pty Ltd, 1 Moorebank Avenue, Moorebank, NSW, Australia, 2170.

La période de garantie débute à la date d'achat par le premier acheteur au détail ou par le premier utilisateur commercial final, et se prolonge pour la durée stipulée dans le tableau ci-dessus. « Usage des consommateurs » signifie que le produit sera utilisé par un consommateur au détail dans un but privé. « Usage commercial » indique toutes les autres utilisations possibles, y compris commerciales, génératrices de revenus ou locatives. Aux fins de la présente garantie, dès qu'un moteur a été utilisé commercialement une fois, il est par la suite considéré comme étant d'usage à des fins commerciales.

Pour exercer la garantie sur tout produit fabriqué par Briggs & Stratton, il n'est pas nécessaire de l'enregistrer. Veuillez garder le reçu de votre achat. Si vous ne pouvez pas fournir la preuve de la date initiale de l'achat au moment de faire une demande se rapportant à la garantie, la date de fabrication du produit sera utilisée pour déterminer la période de garantie.

À propos de votre garantie

La présente garantie limitée couvre le matériel ou main-d'œuvre associé au moteur ou un problème de main-d'œuvre seulement, mais non un remplacement ou remboursement de la machine entraînée par le moteur. La présente garantie ne couvre pas l'entretien régulier, les mises au point, réglages ou usure normale. Également, la garantie ne s'appliquera pas si le moteur a été trafiqué ou modifié, ou si son numéro de série a été enlevé ou effacé. La présente garantie ne couvre pas les dommages au moteur ou défauts de performance causés par :

- L'utilisation de pièces qui ne sont pas Briggs & Stratton
- Le fonctionnement du moteur sans avoir suffisamment d'huile ou ayant de l'huile contaminée ou de grade inadéquat;
- L'utilisation de carburant contaminé ou éventé, de l'essence formulée avec de l'éthanol à plus de 10 %, ou l'utilisation de variante de carburant comme le gaz de pétrole liquéfié ou le gaz naturel sur un moteur non conçu et produit à l'origine par Briggs & Stratton pour fonctionner avec de tels carburants;
- De la saleté introduite dans le moteur pour cause d'entretien inadéquat du filtre à air ou de son remontage incorrect;
- Frapper un objet avec la lame d'une tondeuse à gazon rotative, ou adaptateur de lame de coupe, turbine ou autre dispositif accouplé au vilebrequin desserré ou mal installé ou courroie trop serrée;
- Pièces ou ensembles accessoires comme embrayage, boîte de vitesse, commande d'équipement, etc. non fournis par Briggs & Stratton;
- Surchauffe pour cause d'accumulation d'herbe, saleté et débris ou nids de vermine qui obstruent les ailettes de refroidissement ou l'aire du volant, ou faire fonctionner le moteur sans aération adéquate;

- Vibration excessive due à une survitesse, un montant de moteur desserré, une lame ou turbine desserrée ou déséquilibrée, ou un mauvais accouplement de composants sur le vilebrequin;
- Abus d'utilisation, ou manque d'entretien régulier, mauvaise manipulation de transport et d'entreposage ou mauvais montage du moteur.

Les services liés à la garantie sont uniquement disponibles par l'entremise d'un détaillant autorisé de service Briggs & Stratton. Localiser le détaillant autorisé de service le plus près avec notre outil de recherche d'un détaillant sur le site BRIGGSandSTRATTON.COM ou en composant le 1-800-444-7774 (aux États-Unis).

80114782 (révision A)

Garantie d'émissions Briggs & Stratton

Énoncé de garantie de contrôle des émissions évaporatoires de la Californie, de l'EPA des États-Unis et de Briggs & Stratton LLC - Vos droits et obligations en vertu de la garantie

Pour modèles de moteurs Briggs & Stratton avec compléments désignés « F » (N° de représentation de Modèle - Type - Garniture : xxxxxx xxxx Fx)

L'Air Resources Board de la Californie, l'Environmental Protection Agency des États-Unis et Briggs & Stratton (B&S) ont le plaisir d'expliquer la garantie du système de contrôle de l'échappement et des émissions évaporatoires (« émissions ») de votre moteur 2022-2024. En Californie, le nouvel équipement qui utilise de petits moteurs tout terrain doit être conçu, fabriqué et équipé pour satisfaire aux normes antismog rigoureuses de l'État. B&S doit garantir le système de contrôle des émissions de votre moteur/équipement pour les durées ci-dessous dans la mesure où il n'y a pas abus, négligence ou entretien inadéquat de votre petit moteur ou équipement tout terrain occasionnant la défaillance du système de contrôle des émissions.

Votre système de contrôle des émissions peut comprendre des pièces comme le carburateur ou le système d'injection de carburant, le système d'allumage, le convertisseur catalytique, les réservoirs de carburant, les conduites de carburant (pour le carburant liquide et les vapeurs de carburant), les capuchons, les valves, les cartouches, les filtres, les brides et autres composants pertinents. Peuvent aussi être inclus tuyaux, courroies, connecteurs et autres assemblages liés aux émissions.

Dans les situations couvertes, B&S réparera votre moteur ou équipement sans frais, incluant le diagnostic, les pièces et la main-d'œuvre.

Couverture de garantie du fabricant :

Le système de contrôle des émissions et émissions évaporatives sur votre moteur/équipement est accompagné d'une garantie de deux ans. Si une pièce liée au système de contrôle des émissions évaporatoires de votre équipement est défectueuse, B&S la réparera ou la remplacera.

Responsabilités du propriétaire dans le cadre de la garantie :

- En tant que propriétaire du moteur/matériel, il vous incombe d'effectuer l'entretien requis indiqué dans le manuel d'utilisation. B&S recommande de conserver tous les reçus en rapport avec l'entretien du moteur; toutefois, B&S ne peut refuser la garantie uniquement parce que vous êtes dans l'impossibilité de produire les reçus ou que vous n'avez pas effectué toutes les étapes de l'entretien prévu.
- Néanmoins, vous devez savoir, en tant que propriétaire de moteur/équipement, que B&S peut refuser le bénéfice de la garantie si votre moteur/équipement, ou une pièce, est défaillant en raison d'abus, de négligence, d'entretien inadéquat ou de modifications non approuvées.
- Dès qu'un problème survient, vous avez la responsabilité de faire examiner votre moteur/équipement à un centre de distribution ou d'entretien B&S. Les réparations couvertes par la garantie seront effectuées dans un délai raisonnable, n'excédant pas 30 jours. Si vous avez une question au sujet de vos droits et responsabilités dans le cadre de la garantie, veuillez communiquer avec un représentant de B&S au 1-800-444-7774 (aux États-Unis) ou BRIGGSandSTRATTON.COM.

Dispositions de la garantie du contrôle d'émissions Briggs & Stratton

Les dispositions qui suivent sont spécifiques à la couverture de garantie du contrôle des émissions. Elles sont un ajout à la garantie de moteur B&S pour les moteurs non régulés, figurant dans le manuel d'utilisation.

- Pièces d'émissions garanties
La couverture de la présente garantie comprend seulement les pièces énumérées ci-dessous (pièces du système de contrôle d'émissions) dans la mesure que celles-ci étaient présentées sur le moteur B&S et/ou sur le système de carburant fourni par B&S.
 - Système de contrôle d'alimentation en carburant
 - Dispositif d'enrichissement pour démarrage à froid (étrangler à glissement)
 - Carburateur ou système d'injection de carburant
 - Capteur d'oxygène
 - Unité de commande électronique
 - Module de la pompe à carburant

- Conduite de carburant (pour carburant liquide ou vapeurs de carburant), raccords de conduite de carburant, brides
 - Réservoir de carburant, bouchon et attache
 - Cartouche à charbon et ferrure de montage
 - Soupapes de décharge
 - Séparateur liquide/vapeur
- b. Circuit d'entrée d'air
- Filtre à air
 - Collecteur d'admission
 - Conduite de purge et d'évacuation
- c. Système d'allumage
- Bougie(s) d'allumage
 - Système d'allumage à magnéto
- d. Système de catalyseur
- Convertisseur catalytique
 - Collecteur d'échappement
 - Système d'injection d'air ou valeur d'impulsions
- e. Éléments divers utilisés dans les systèmes précédemment mentionnés
- Soupapes et interrupteurs de dépression, de température, de position, à délai critique
 - Connecteurs et ensembles
 - Commandes électroniques

2. Durée de la couverture

La couverture est pour une période de deux ans à partir de la date de livraison à l'acheteur original ou pour la durée indiquée à l'énoncé de garantie du produit ou du moteur selon l'éventualité la plus longue. B&S garantit à l'acheteur original et à chaque acquéreur subséquent, que le moteur est conçu, fabriqué, et équipé de manière à se conformer à toutes les réglementations applicables adoptées par l'Air Resources Board, qu'il est exempt de vices de fabrication et de matériaux qui pourraient causer la défaillance d'une pièce sous garantie, et qu'il est identique à tous égards au moteur décrit dans la demande de certification du fabricant. La période de garantie débute à la date à laquelle le moteur ou l'équipement a été remis à l'acheteur final.

La garantie sur les pièces d'émissions est la suivante :

- Toute pièce couverte par la garantie dont le remplacement n'est pas planifié dans le cadre de l'entretien obligatoire décrit dans le manuel d'utilisation fourni est garantie pendant la période indiquée ci-dessus. Si une telle pièce est défectueuse pendant la période de couverture de la garantie, la pièce sera réparée ou remplacée par B&S sans frais pour le propriétaire. Une telle pièce réparée ou remplacée sous la garantie sera couverte pour la période restante de la garantie.
 - Toute pièce couverte par la garantie dont seul l'examen est planifié dans le manuel d'utilisation fourni est garantie pendant la période indiquée ci-dessus. Cette pièce réparée ou remplacée dans le cadre de la garantie restera garantie pendant la période de garantie restante.
 - Toute pièce couverte par la garantie dont le remplacement fait partie de l'entretien obligatoire dans le manuel d'utilisation est garantie pendant la période jusqu'au premier remplacement prévu pour cette pièce. Si la pièce est défectueuse avant le remplacement prévu, la pièce sera réparée ou remplacée par B&S sans frais pour le propriétaire. Une telle pièce réparée ou remplacée au titre de la garantie sera couverte pour la période restante avant le premier remplacement prévu de cette pièce.
 - Les pièces ajoutées ou modifiées ne faisant pas partie d'une exemption par l'Air Resources Board ne doivent pas être utilisées. L'utilisation de toute pièce ajoutée ou modifiée par le propriétaire sera une raison de refus d'une réclamation sous garantie. Le fabricant n'a pas la responsabilité de garantir les défauts des pièces garanties causées par l'utilisation de pièces ajoutées ou modifiées qui ne font pas partie d'une exemption.
3. Couverture indirecte
La couverture s'étend à toute défaillance de l'un des composants du moteur consécutive à la défectuosité d'une des pièces d'émissions garanties encore couverte par la garantie.
4. Réclamations et exclusions de couverture
Les demandes de compensation sous garantie devront être remplies selon les provisions de la Politique de garantie de moteur B&S. La couverture de garantie ne s'applique pas aux défauts de pièces de contrôle d'émissions qui ne sont pas des pièces d'origine B&S ou pour raison d'abus, de négligence ou d'entretien inadéquat comme stipulé dans la Politique de garantie de moteur B&S. B&S ne se tiendra pas responsable de la couverture de garantie de pièces de contrôle d'émissions défectueuses en raison d'utilisation de pièce modifiée ou non approuvée.

Rechercher la période de durabilité des émissions et l'indice de pollution atmosphérique sur l'étiquette d'émissions du petit moteur hors route

Les renseignements concernant la période de durabilité des émissions et l'indice de pollution atmosphérique doivent être fournis avec les petits moteurs hors route qui répondent aux normes relatives aux émissions de la California Air Resources Board (CARB). Briggs & Stratton rend cette information disponible aux consommateurs sur les étiquettes des émissions. L'étiquette des émissions du moteur fournit des renseignements sur la certification.

La **période de durabilité des émissions** décrit le nombre d'heures pendant lesquelles le moteur peut fonctionner en respectant les normes relatives aux émissions, en supposant que l'entretien est effectué conformément au Calendrier d'entretien. Les catégories utilisées sont les suivantes :

Modéré :

Les moteurs de 80 cc de cylindrée et moins peuvent fonctionner pendant 50 heures tout en respectant la norme relative aux émissions. Les moteurs de plus de 80 cc de cylindrée peuvent fonctionner pendant 125 heures tout en respectant la norme relative aux émissions.

Intermédiaire :

Les moteurs de 80 cc de cylindrée et moins peuvent fonctionner pendant 125 heures tout en respectant la norme relative aux émissions. Les moteurs de plus de 80 cc de cylindrée peuvent fonctionner pendant 250 heures tout en respectant la norme relative aux émissions.

Prolongé :

Les moteurs de 80 cc de cylindrée et moins peuvent fonctionner pendant 300 heures tout en respectant la norme relative aux émissions. Les moteurs de plus de 80 cc de cylindrée peuvent fonctionner pendant 500 heures tout en respectant la norme relative aux émissions.

Par exemple, l'utilisation d'une tondeuse poussée est d'environ 20 à 25 heures par année. Donc, la **période de durabilité des émissions** pour un moteur avec un classement **intermédiaire** équivaut de 10 à 12 années.

Les moteurs Briggs & Stratton sont certifiés conformes aux normes de phase 2 ou phase 3 sur les émissions de l'USEPA (United States Environmental Protection Agency). La période de conformité des émissions indiquée sur l'étiquette de conformité des émissions indique le nombre d'heures de fonctionnement pendant lesquelles le moteur a démontré qu'il respectait les exigences fédérales en matière d'émissions.

Pour les moteurs de 80 cc de cylindrée et moins :

Catégorie C = 50 heures, Catégorie B = 125 heures, Catégorie A = 300 heures

Pour les moteurs de plus de 80 cc de cylindrée et moins à 225 cc de cylindrée :

Catégorie C = 125 heures, Catégorie B = 250 heures, Catégorie A = 500 heures

Pour les moteurs de 225 cc et plus de cylindrée :

Catégorie C = 250 heures, Catégorie B = 500 heures, Catégorie A = 1 000 heures

80111491 (Révision A)

Garantie d'émissions Briggs & Stratton

Énoncé de garantie de contrôle des émissions évaporatoires de la Californie, de l'EPA des États-Unis et de Briggs & Stratton LLC - Vos droits et obligations en vertu de la garantie

Pour modèles de moteurs Briggs & Stratton avec compléments désignés « B » ou « G » (N° de représentation de Modèle - Type - Garniture : xxxxxx xxxx Bx ou xxxxxx xxxx Gx)

Le California Air Resources Board, l'EPA des États-Unis et Briggs & Stratton (B&S) ont le plaisir d'expliquer la garantie du système de contrôle des émissions (« émissions ») de votre moteur 2022-2024. En Californie, les nouveaux petits moteurs tout terrain et les gros moteurs à bougie de moins de ou équivalents à 1,0 litre doivent être conçus, fabriqués et équipés pour satisfaire aux normes antismog rigoureuses de l'État. B&S doit garantir le système de contrôle des émissions de votre moteur pour les durées ci-dessous dans la mesure où il n'y a pas abus, négligence ou entretien inadéquat de votre petit moteur ou équipement tout terrain occasionnant la défaillance du système de contrôle des émissions.

Votre système de contrôle des émissions peut comprendre des pièces comme le carburateur ou le système d'injection de carburant, le système d'allumage, le convertisseur catalytique, les réservoirs de carburant, les conduites de carburant (pour le carburant liquide et les vapeurs de carburant), les capuchons, les valves, les cartouches, les filtres, les brides et autres composants pertinents. Peuvent aussi être inclus tuyaux, courroies, connecteurs et autres assemblages liés aux émissions.

Dans le cas d'un défaut couvert par la garantie, B&S réparera votre petit moteur hors route/votre matériel sans frais et ce, incluant le diagnostic, les pièces et la main d'œuvre.

Couverture de garantie du fabricant :

Le système de contrôle des émissions de votre moteur est garanti pendant deux ans. Si toute pièce liée aux émissions de votre moteur est défectueuse, B&S la réparera ou la remplacera.

Responsabilités du propriétaire dans le cadre de la garantie :

- En tant que propriétaire du moteur, vous êtes responsable de l'exécution de l'entretien requis indiqué dans le manuel d'utilisation. B&S recommande de conserver tous les reçus en rapport avec l'entretien du moteur; toutefois, B&S ne peut refuser la garantie uniquement parce que vous êtes dans l'impossibilité de produire les reçus ou que vous n'avez pas effectué toutes les étapes de l'entretien prévu.
- Néanmoins, vous devez savoir, en tant que propriétaire de moteur, que B&S peut refuser le bénéfice de la garantie si votre moteur, ou une pièce, est défaillant en raison d'abus, de négligence, d'entretien inadéquat ou de modifications non approuvées.
- Dès qu'un problème survient, vous avez la responsabilité que votre moteur soit examiné à un centre de distribution ou d'entretien B&S. Les réparations couvertes par la garantie seront effectuées dans un délai raisonnable, n'excédant pas 30 jours. Si vous avez une question au sujet de vos droits et responsabilités dans le cadre de la garantie, veuillez communiquer avec un représentant de B&S au 1-800-444-7774 (aux États-Unis) ou BRIGGSandSTRATTON.COM.

Dispositions de la garantie du contrôle d'émissions Briggs & Stratton

Les dispositions qui suivent sont spécifiques à la couverture de garantie du contrôle des émissions. Elles sont un ajout à la garantie de moteur B&S pour les moteurs non régulés, figurant dans le manuel d'utilisation.

1. Pièces d'émissions garanties

La couverture de cette garantie n'englobe que les pièces énumérées ci-dessous (pièces du dispositif antipollution) dans la mesure où ces pièces étaient présentes sur le moteur B&S.

- a. Système de contrôle d'alimentation en carburant
 - Dispositif d'enrichissement pour démarrage à froid (étrangleur à glissement)
 - Carburateur ou système d'injection de carburant
 - Capteur d'oxygène
 - Unité de commande électronique
 - Module de la pompe à carburant
- b. Circuit d'entrée d'air
 - Filtre à air
 - Collecteur d'admission
- c. Système d'allumage
 - Bougie(s) d'allumage
 - Système d'allumage à magnéto
- d. Système de catalyseur
 - Convertisseur catalytique
 - Collecteur d'échappement
 - Système d'injection d'air ou valeur d'impulsions
- e. Éléments divers utilisés dans les systèmes précédemment mentionnés
 - Soupapes et interrupteurs de dépression, de température, de position, à délai critique
 - Connecteurs et ensembles
 - Commandes électroniques

2. Durée de la couverture

La couverture est pour une période de deux ans à partir de la date de livraison à l'acheteur original ou pour la durée indiquée à l'énoncé de garantie du produit ou du moteur selon l'éventualité la plus longue. B&S garantit à l'acheteur original et à chaque acquéreur subséquent, que le moteur est conçu, fabriqué, et équipé de manière à se conformer à toutes les réglementations applicables adoptées par l'Air Resources Board, qu'il est exempt de vices de fabrication et de matériaux qui pourraient causer la défaillance d'une pièce sous garantie, et qu'il est identique à tous égards au moteur décrit dans la demande de certification du fabricant. La période de garantie débute à la date à laquelle le moteur ou l'équipement a été remis à l'acheteur final.

La garantie sur les pièces d'émissions est la suivante :

- Toute pièce couverte par la garantie dont le remplacement n'est pas planifié dans le cadre de l'entretien obligatoire décrit dans le manuel d'utilisation fourni est garantie pendant la période indiquée ci-dessus. Si une telle pièce est défectueuse pendant la période de couverture de la garantie, la pièce sera réparée ou remplacée par B&S sans frais pour le propriétaire. Une telle pièce réparée ou remplacée sous la garantie sera couverte pour la période restante de la garantie.

- Toute pièce couverte par la garantie dont seul l'examen est planifié dans le manuel d'utilisation fourni est garantie pendant la période indiquée ci-dessus. Cette pièce réparée ou remplacée dans le cadre de la garantie restera garantie pendant la période de garantie restante.
 - Toute pièce couverte par la garantie dont le remplacement fait partie de l'entretien obligatoire dans le manuel d'utilisation est garantie pendant la période jusqu'au premier remplacement prévu pour cette pièce. Si la pièce est défectueuse avant le remplacement prévu, la pièce sera réparée ou remplacée par B&S sans frais pour le propriétaire. Une telle pièce réparée ou remplacée au titre de la garantie sera couverte pour la période restante avant le premier remplacement prévu de cette pièce.
 - Les pièces ajoutées ou modifiées ne faisant pas partie d'une exemption par l'Air Resources Board ne doivent pas être utilisées. L'utilisation de toute pièce ajoutée ou modifiée par le propriétaire sera une raison de refus d'une réclamation sous garantie. Le fabricant n'a pas la responsabilité de garantir les défauts des pièces garanties causées par l'utilisation de pièces ajoutées ou modifiées qui ne font pas partie d'une exemption.
3. Couverture indirecte
La couverture s'étend à toute défaillance de l'un des composants du moteur consécutive à la défectuosité d'une des pièces d'émissions garanties encore couverte par la garantie.
 4. Réclamations et exclusions de couverture
Les demandes de compensation sous garantie devront être remplies selon les provisions de la Politique de garantie de moteur B&S. La couverture de garantie ne s'applique pas aux défectuosités de pièces de contrôle d'émissions qui ne sont pas des pièces d'origine B&S ou pour raison d'abus, de négligence ou d'entretien inadéquat comme stipulé dans la Politique de garantie de moteur B&S. B&S ne se tiendra pas responsable de la couverture de garantie de pièces de contrôle d'émissions défectueuses en raison d'utilisation de pièce modifiée ou non approuvée.

Rechercher la période de durabilité des émissions et l'indice de pollution atmosphérique sur l'étiquette d'émissions du petit moteur hors route

Les renseignements concernant la période de durabilité des émissions et l'indice de pollution atmosphérique doivent être fournis avec les petits moteurs hors route qui répondent aux normes relatives aux émissions de la California Air Resources Board (CARB). Briggs & Stratton rend cette information disponible aux consommateurs sur les étiquettes des émissions. L'étiquette des émissions du moteur fournit des renseignements sur la certification.

La **période de durabilité des émissions** décrit le nombre d'heures pendant lesquelles le moteur peut fonctionner en respectant les normes relatives aux émissions, en supposant que l'entretien est effectué conformément au Calendrier d'entretien. Les catégories utilisées sont les suivantes :

Modéré :

Les moteurs de 80 cc de cylindrée et moins peuvent fonctionner pendant 50 heures tout en respectant la norme relative aux émissions. Les moteurs de plus de 80 cc de cylindrée peuvent fonctionner pendant 125 heures tout en respectant la norme relative aux émissions.

Intermédiaire :

Les moteurs de 80 cc de cylindrée et moins peuvent fonctionner pendant 125 heures tout en respectant la norme relative aux émissions. Les moteurs de plus de 80 cc de cylindrée peuvent fonctionner pendant 250 heures tout en respectant la norme relative aux émissions.

Prolongé :

Les moteurs de 80 cc de cylindrée et moins peuvent fonctionner pendant 300 heures tout en respectant la norme relative aux émissions. Les moteurs de plus de 80 cc de cylindrée peuvent fonctionner pendant 500 heures tout en respectant la norme relative aux émissions.

Par exemple, l'utilisation d'une tondeuse poussée est d'environ 20 à 25 heures par année. Donc, la **période de durabilité des émissions** pour un moteur avec un classement **intermédiaire** équivaut de 10 à 12 années.

Les moteurs Briggs & Stratton sont certifiés conformes aux normes de phase 2 ou phase 3 sur les émissions de l'USEPA (United States Environmental Protection Agency). La période de conformité des émissions indiquée sur l'étiquette de conformité des émissions indique le nombre d'heures de fonctionnement pendant lesquelles le moteur a démontré qu'il respectait les exigences fédérales en matière d'émissions.

Pour les moteurs de 80 cc de cylindrée et moins :

Catégorie C = 50 heures, Catégorie B = 125 heures, Catégorie A = 300 heures

Pour les moteurs de plus de 80 cc de cylindrée et moins à 225 cc de cylindrée :

Catégorie C = 125 heures, Catégorie B = 250 heures, Catégorie A = 500 heures

Pour les moteurs de 225 cc et plus de cylindrée :

Catégorie C = 250 heures, Catégorie B = 500 heures, Catégorie A = 1 000 heures

VANGUARD®