

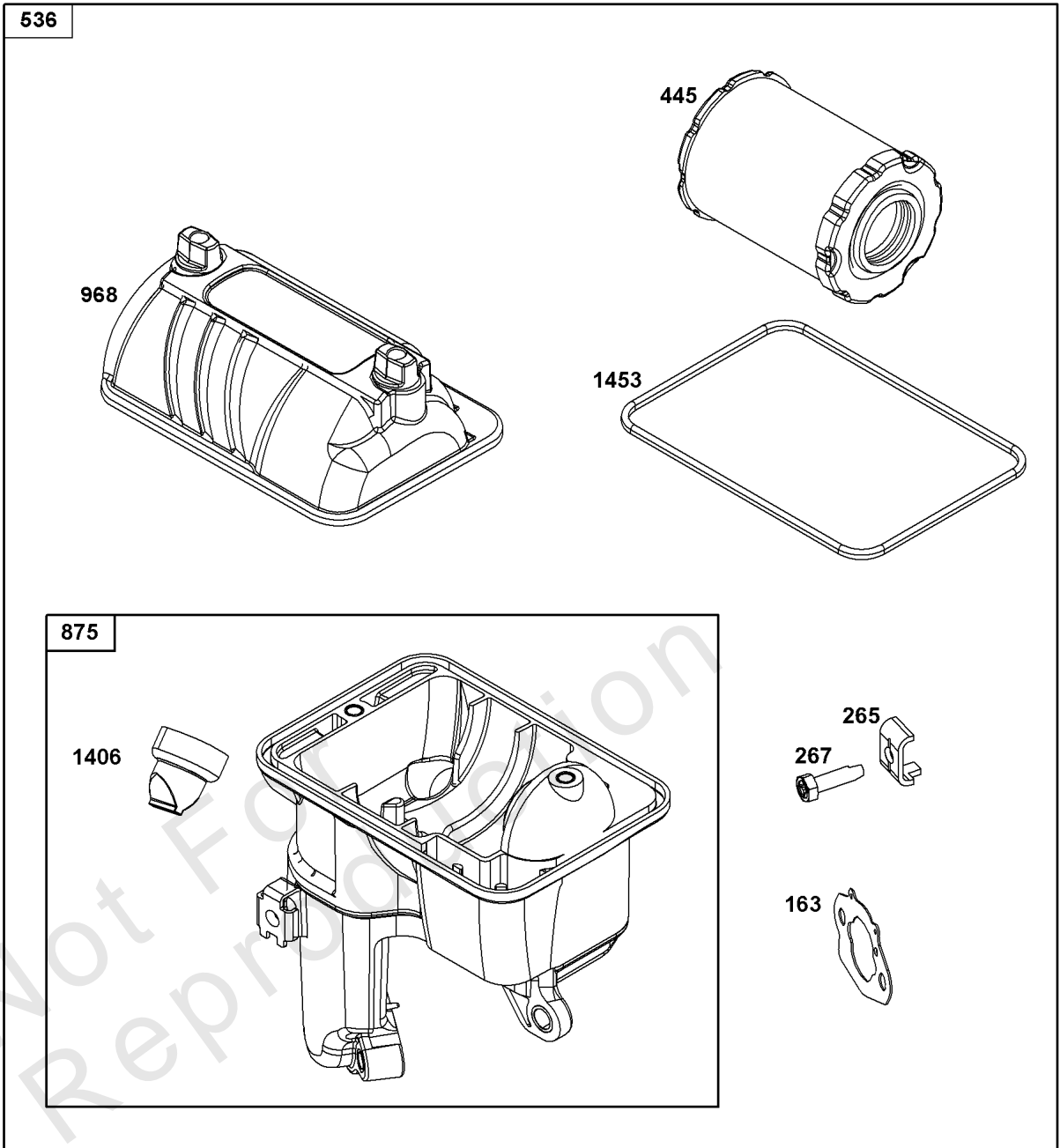


Parts Manual

Mfg. No: 10V332-0001-F1

| Model Components | Page |
|---|-------------|
| Air Cleaner Group..... | 4 |
| Blower Housing Group..... | 6 |
| Carburetor Group..... | 8 |
| Controls Group..... | 10 |
| Crankcase Cover/Sump and Lubrication Group..... | 12 |
| Crankshaft Group..... | 14 |
| Cylinder Group..... | 16 |
| Cylinder Head Group..... | 18 |
| Exhaust Group..... | 22 |
| Flywheel, Ignition, and Starter Group..... | 24 |
| Fuel Supply Group..... | 26 |

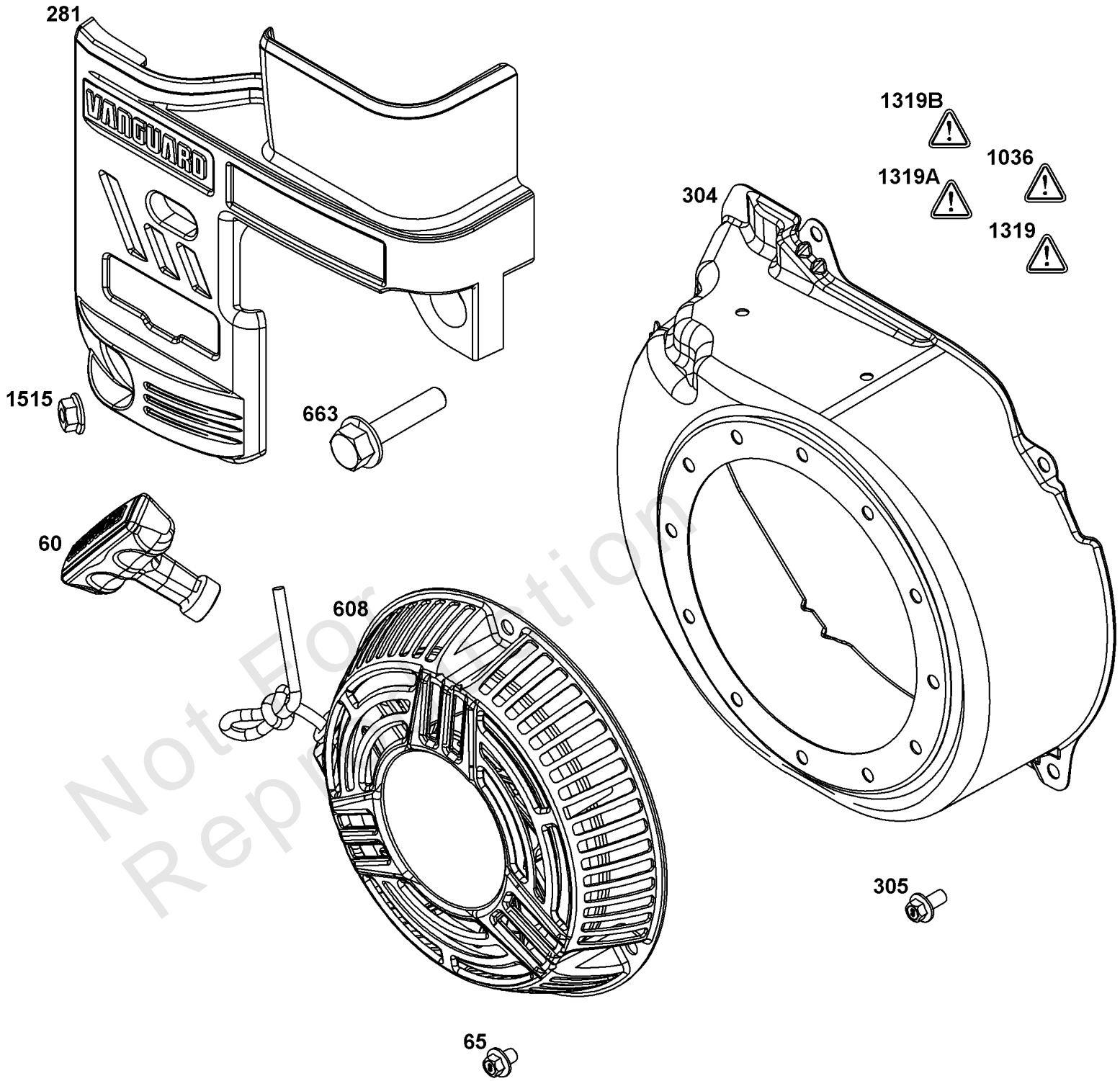
Not For
Reproduction



Air Cleaner Group

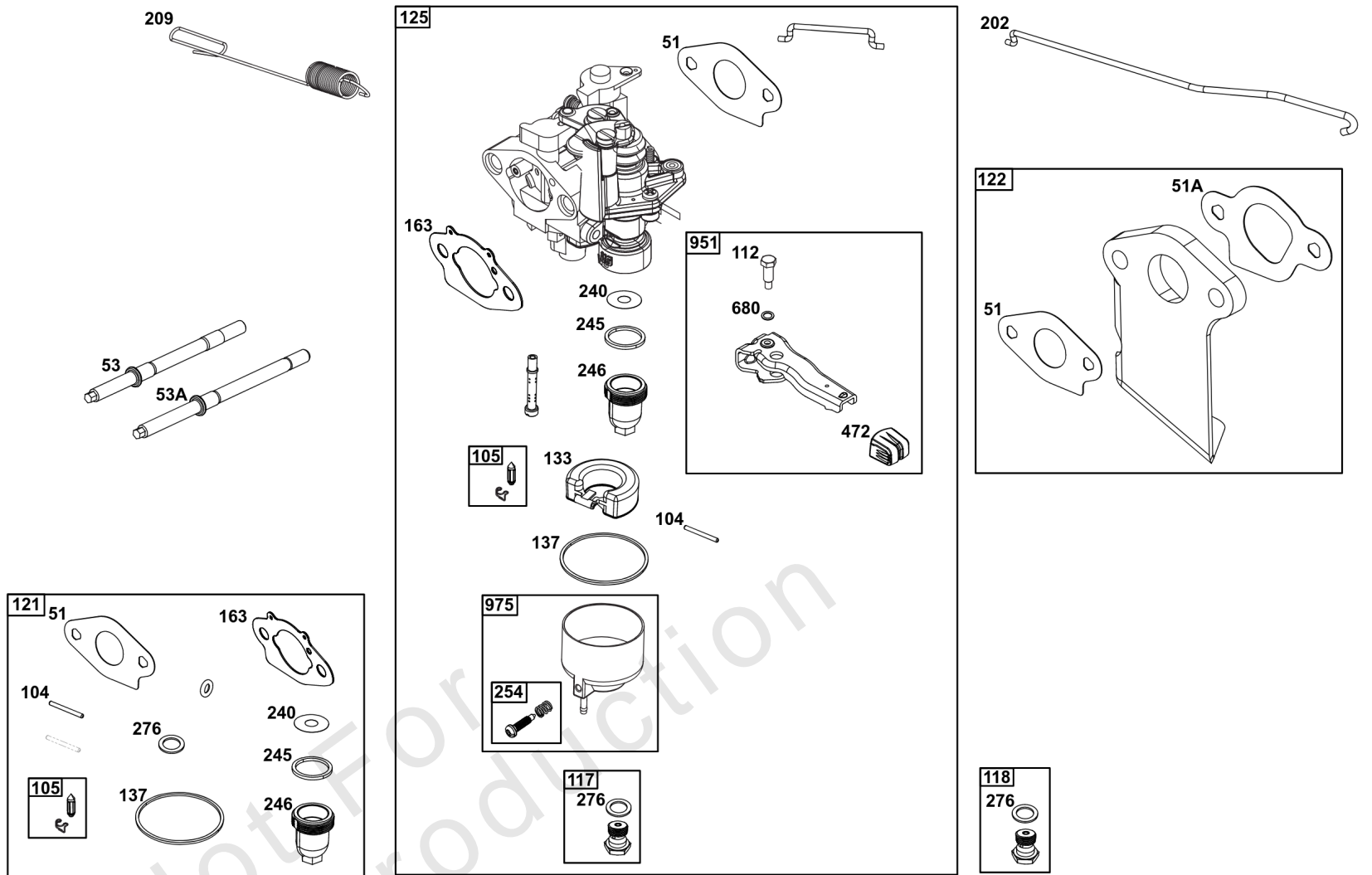
| REF NO | PART NO | QTY | DESCRIPTION |
|---------------|----------------|------------|---|
| 11 | 597013 | 1 | TUBE, Breather |
| 163 | 596768 | 1 | GASKET, Air Cleaner |
| 185 | 590692 | 3 | NUT -(Air Cleaner Base) |
| 265 | ----- | 1 | CLAMP, Casing -(Part information located in Controls Group.) |
| 267 | ----- | 1 | SCREW -(Part information located in Controls Group.) |
| 445 | 84002309 | 1 | FILTER, A/C Cartridge |
| 536 | 84005299 | 1 | CLEANER, AIR |
| 875 | 84005297 | 1 | BASE, Air Cleaner |
| 968 | 84005353 | 1 | COVER, Air Cleaner |
| 1406 | 597065 | 1 | VALVE, Debris |
| 1453 | 84005298 | 1 | SEAL, Air Cleaner Cover |

Not For Reproduction



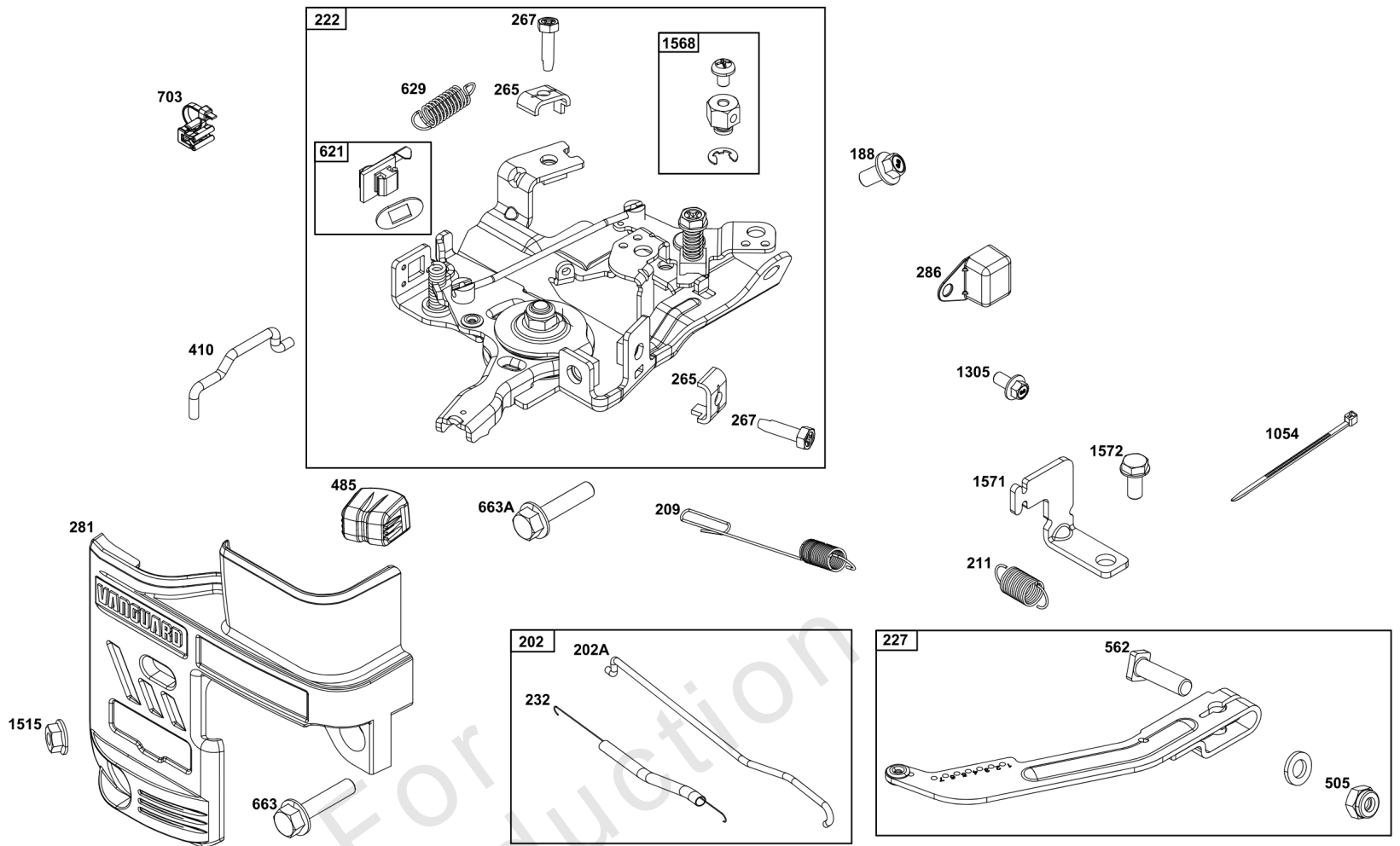
Blower Housing Group

| REF NO | PART NO | QTY | DESCRIPTION |
|--------|----------|-----|---|
| 60 | ----- | 1 | GRIP, Starter Rope -(Part information located in Flywheel/Ignition/Starter Group.) |
| 65 | ----- | 1 | SCREW -(Part information located in Flywheel/Ignition/Starter Group.) |
| 281 | ----- | 1 | PANEL, Control -(Part information located in Controls Group.) |
| 304 | 597073 | 1 | HOUSING, Blower |
| 305 | 597078 | 4 | SCREW -(Blower Housing) |
| 608 | ----- | 1 | STARTER, Rewind -(Part information located in Flywheel/Ignition/Starter Group.) |
| 663 | ----- | 1 | SCREW -(Part information located in Controls Group.) |
| 1036 | ----- | 1 | LABEL, Emissions -(Available from a Briggs & Stratton Authorized Dealer) |
| 1319 | 794467 | 1 | LABEL, Warning -(REQUIRED When Replacing Parts With Warning Labels Affixed) |
| 1319A | 797669 | 1 | LABEL, Warning -(REQUIRED When Replacing Parts With Warning Labels Affixed) |
| 1319B | 278911GS | 1 | LABEL, Warning -(REQUIRED When Replacing Parts With Warning Labels Affixed) |
| 1515 | 590692 | 1 | NUT -(Part information located in Controls Group.) |



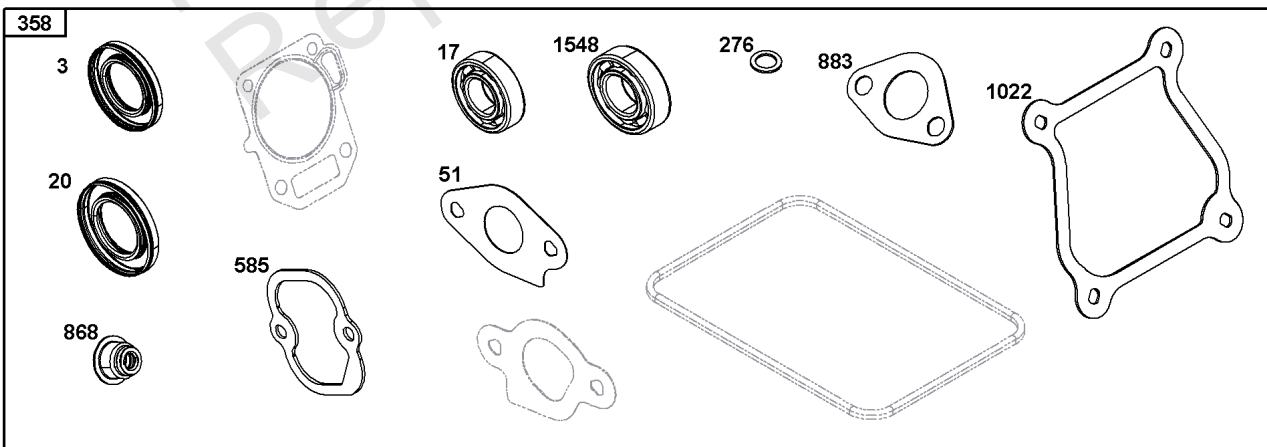
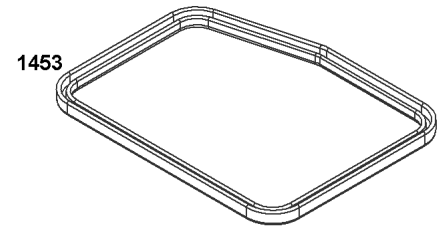
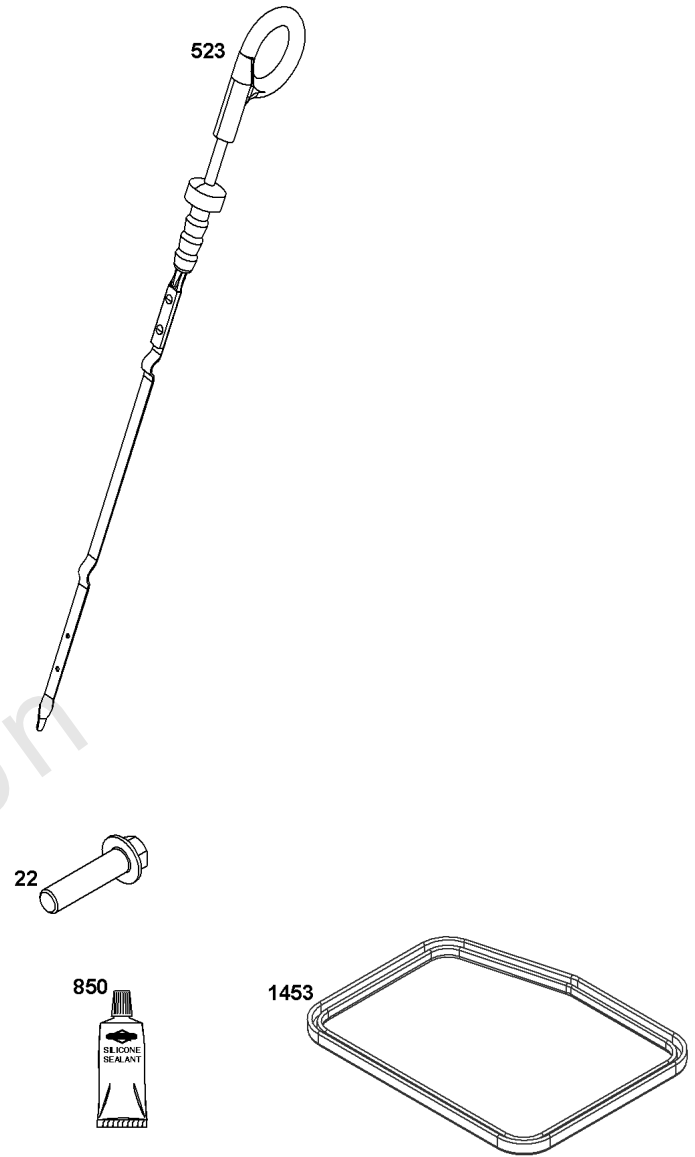
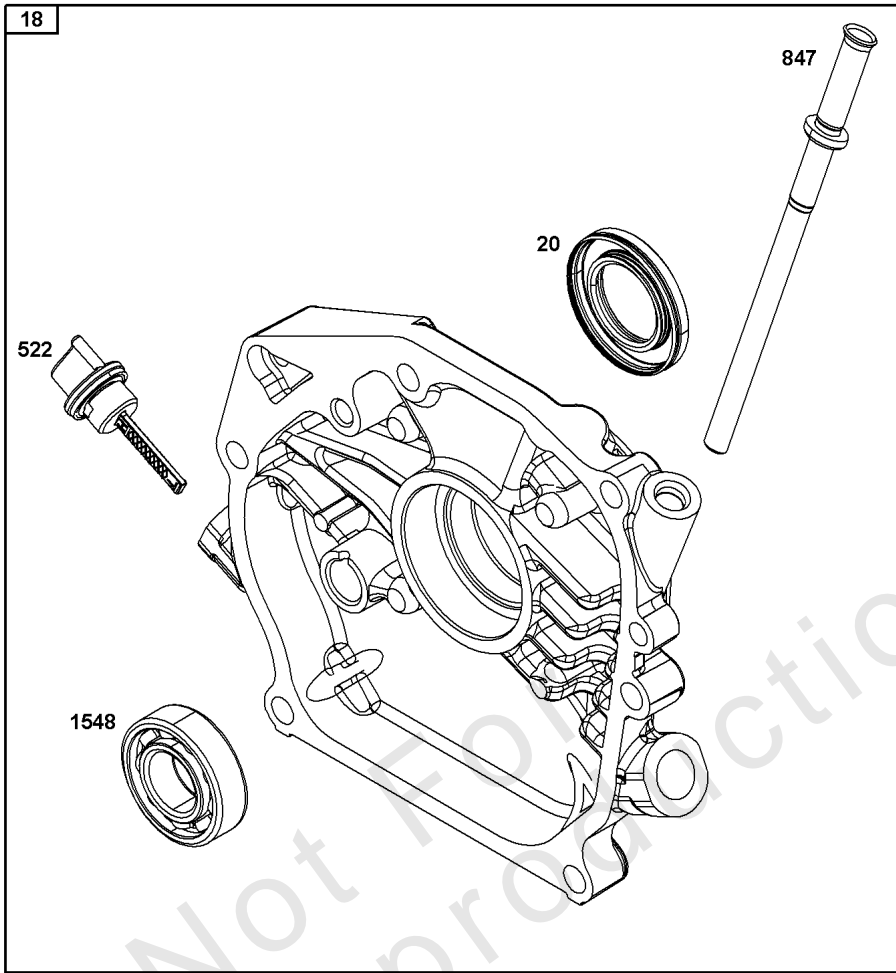
Carburetor Group

| REF NO | PART NO | QTY | DESCRIPTION |
|--------|----------|-----|--|
| 51 | ----- | 1 | GASKET, Intake -(Part information located in Cylinder Head Group.) |
| 51A | ----- | 1 | GASKET, Intake -(Part information located in Cylinder Head Group.) |
| 53 | 597052 | 1 | STUD -(Carburetor) (Short) |
| 53A | 597051 | 1 | STUD -(Carburetor) (Long) |
| 104 | 597533 | 1 | PIN, Float Hinge |
| 105 | 797139 | 1 | VALVE, Float Needle |
| 112 | 84003640 | 1 | SCREW -(Choke Lever) |
| 117 | 597454 | 1 | JET, Main -(Standard) |
| 118 | 84004636 | 1 | JET, MAIN -(High Altitude) |
| 121 | 597138 | 1 | KIT, Carburetor Overhaul -(Service Kits may include extra parts not specific to this engine.) |
| 122 | 84005442 | 1 | SPACER, Carburetor |
| 125 | 84004632 | 1 | CARBURETOR |
| 133 | 597473 | 1 | FLOAT, Carburetor |
| 137 | 798932 | 1 | GASKET, Float Bowl |
| 163 | ----- | 1 | GASKET, Air Cleaner -(Part information located in Air Cleaner Group.) |
| 202 | ----- | 1 | LINK, Mechanical Governor -(Part information located in Controls Group.) |
| 209 | ----- | 1 | SPRING, Governor -(Part information located in Controls Group.) |
| 240 | 597039 | 1 | FILTER, Fuel |
| 245 | 597735 | 1 | GASKET, Fuel Bowl |
| 246 | 597043 | 1 | BOWL, Fuel Filter |
| 254 | 595322 | 1 | DRAIN, Carburetor Bowl |
| 276 | 797632 | 1 | WASHER, Sealing |
| 472 | 84002963 | 1 | KNOB, Control |
| 680 | 84005074 | 1 | WASHER -(Choke Lever) |
| 951 | 597044 | 1 | LEVER, Choke |
| 975 | 597049 | 1 | BOWL, Float |



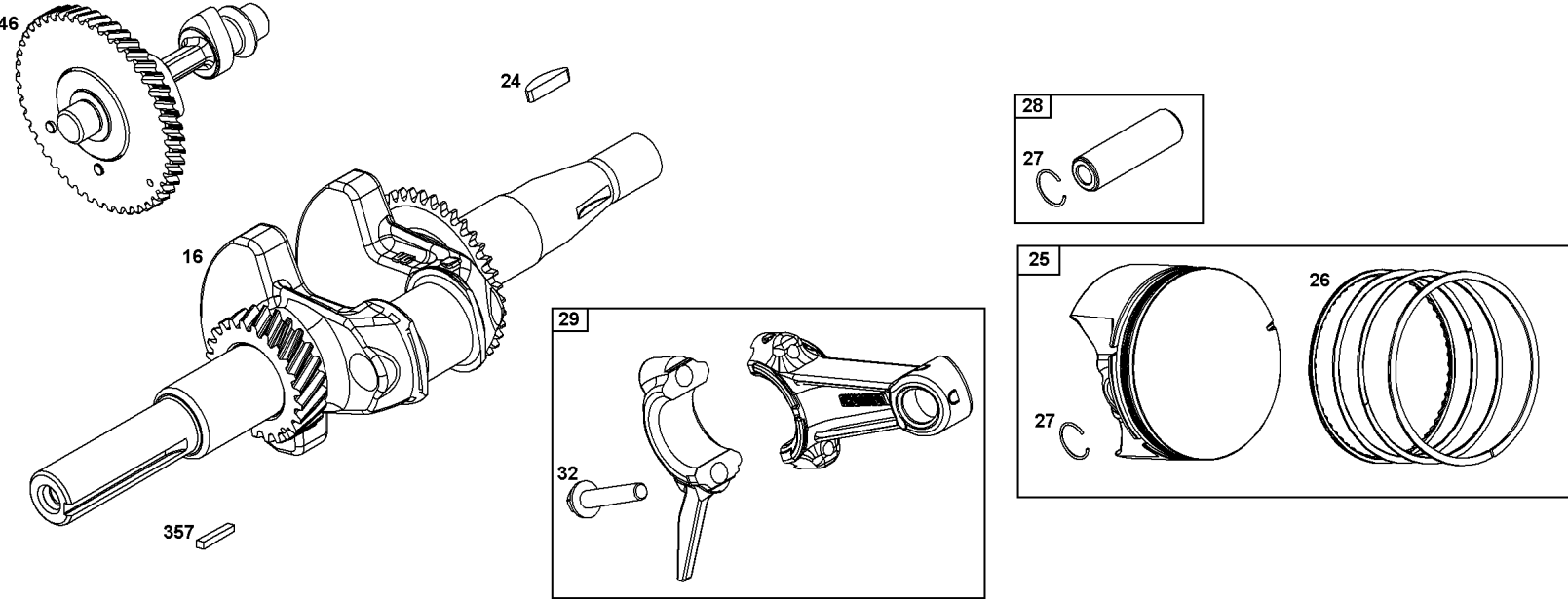
Controls Group

| REF NO | PART NO | QTY | DESCRIPTION |
|--------|----------|-----|--|
| 188 | 590850 | 2 | SCREW -(Control Bracket) |
| 202 | 597032 | 1 | LINK, Mechanical Governor |
| 202A | 597033 | 1 | LINK, Mechanical Governor |
| 209 | 597111 | 1 | SPRING, Governor |
| 211 | 691278 | 1 | SPRING, Governor |
| 222 | 84006188 | 1 | BRACKET, Control |
| 227 | 84003330 | 1 | LEVER, Governor Control |
| 232 | 597034 | 1 | SPRING, Governor Link |
| 265 | 691024 | 2 | CLAMP, Casing |
| 265 | 84004472 | 1 | CLAMP, Casing |
| 267 | 84004279 | 1 | SCREW -(Casing Clamp) |
| 281 | 84005296 | 1 | PANEL, CONTROL |
| 286 | 594949 | 1 | MODULE, Oil Sensor |
| 410 | 597024 | 1 | LINK, Control |
| 485 | 84004631 | 1 | KNOB, Control |
| 505 | 590641 | 1 | NUT -(Governor Control Lever) |
| 562 | 597121 | 1 | BOLT -(Governor Control Lever) |
| 621 | 84007989 | 1 | SWITCH, Stop |
| 629 | 597022 | 1 | SPRING, Throttle Return |
| 663 | 597460 | 1 | SCREW -(Control Panel) |
| 663A | 84003635 | 6 | SCREW -(Control Panel) |
| 703 | 84008531 | 1 | CLIP |
| 1054 | 280275 | 1 | TIE, Cable |
| 1305 | 590703 | 1 | SCREW -(Oil Sensor Module) |
| 1515 | 590692 | 1 | NUT -(Control Panel) |
| 1568 | 84005188 | 2 | RETAINER, Wire |
| 1568 | 84005188 | 2 | RETAINER, Wire |
| 1571 | 597035 | 1 | BRACKET, Governor Control |
| 1572 | 597036 | 1 | SCREW -(Governed Idle Spring Bracket) |



Crankcase Cover/Sump and Lubrication Group

| REF NO | PART NO | QTY | DESCRIPTION |
|--------|---------|-----|---|
| 3 | ----- | 1 | SEAL, Oil -(Part information located in Cylinder Group.) |
| 7 | ----- | 1 | GASKET, Cylinder Head -(Part information located in Cylinder Head Group.) |
| 17 | ----- | 1 | BEARING, Ball -(Part information located in Cylinder Group.) |
| 18 | 596986 | 1 | COVER, Crankcase |
| 20 | 596991 | 1 | SEAL, Oil -(PTO Side) |
| 22 | 590714 | 6 | SCREW -(Crankcase Cover/Sump) |
| 51 | ----- | 1 | GASKET, Intake -(Part information located in Cylinder Head Group.) |
| 51A | ----- | 1 | GASKET, Intake -(Part information located in Cylinder Head Group.) |
| 276 | ----- | 1 | WASHER, Sealing -(Part information located in Carburetor Group.) |
| 358 | ----- | 1 | GASKET SET, Engine -(Part information located in Cylinder Group.) |
| 522 | 590716 | 1 | PLUG, Dipstick/Fill |
| 522 | 590716 | 1 | PLUG, Dipstick/Fill |
| 523 | 596992 | 1 | DIPSTICK |
| 585 | ----- | 1 | GASKET, Breather Passage -(Part information located in Cylinder Head Group.) |
| 847 | 596989 | 1 | DIPSTICK/TUBE ASSEMBLY |
| 850 | 100106 | 1 | SEALANT, Liquid |
| 868 | ----- | 1 | SEAL, Valve -(Part information located in Cylinder Head Group.) |
| 883 | ----- | 1 | GASKET, Exhaust -(Part information located in Exhaust Group.) |
| 1022 | ----- | 1 | GASKET, Rocker Cover -(Part information located in Cylinder Head Group.) |
| 1453 | ----- | 1 | SEAL, Air Cleaner Cover -(Part information located in Air Cleaner Group.) |
| 1548 | 596990 | 1 | BEARING, Ball -(Crankcase Cover/Sump) |

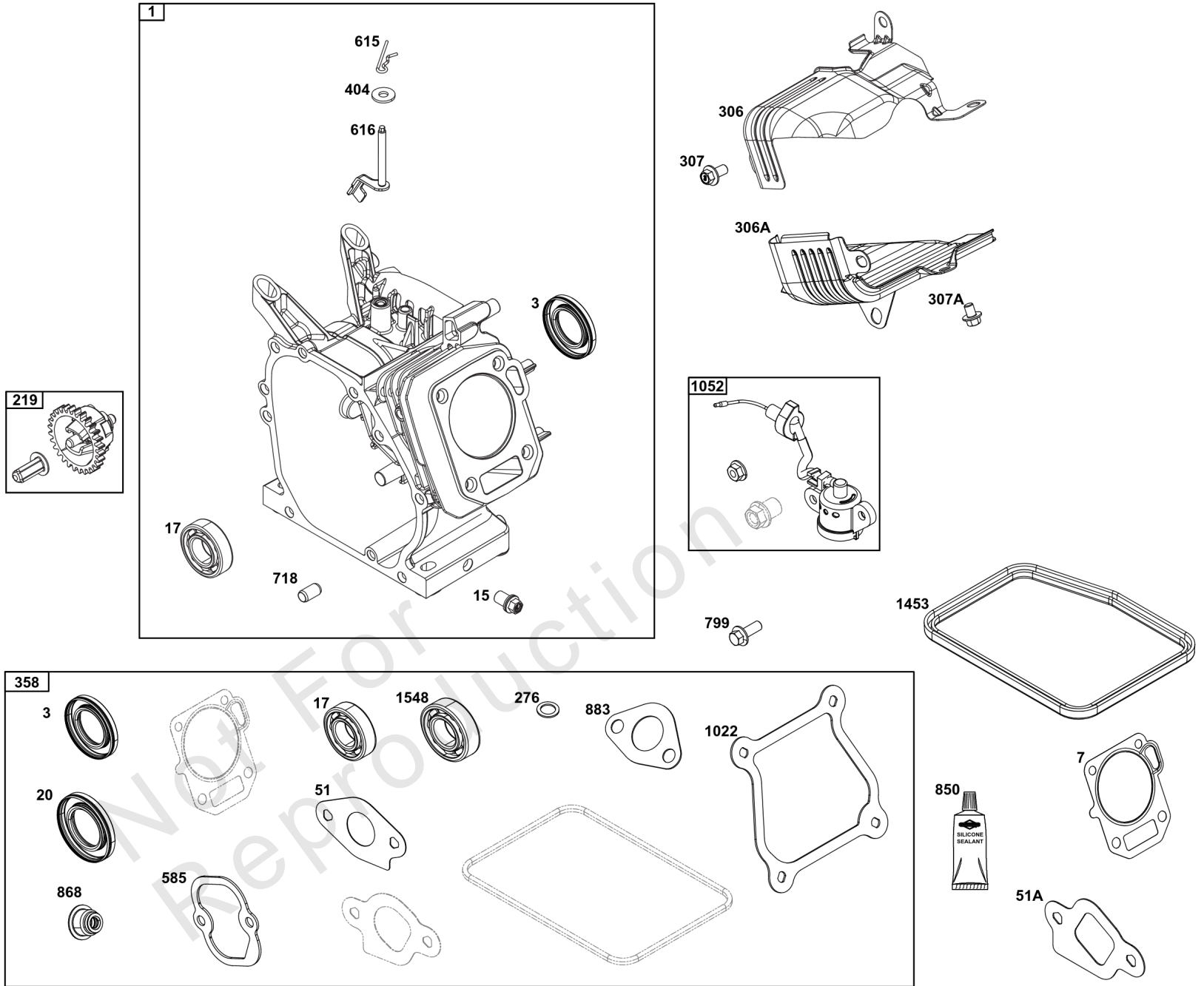


Not For
Reproduction

Crankshaft Group

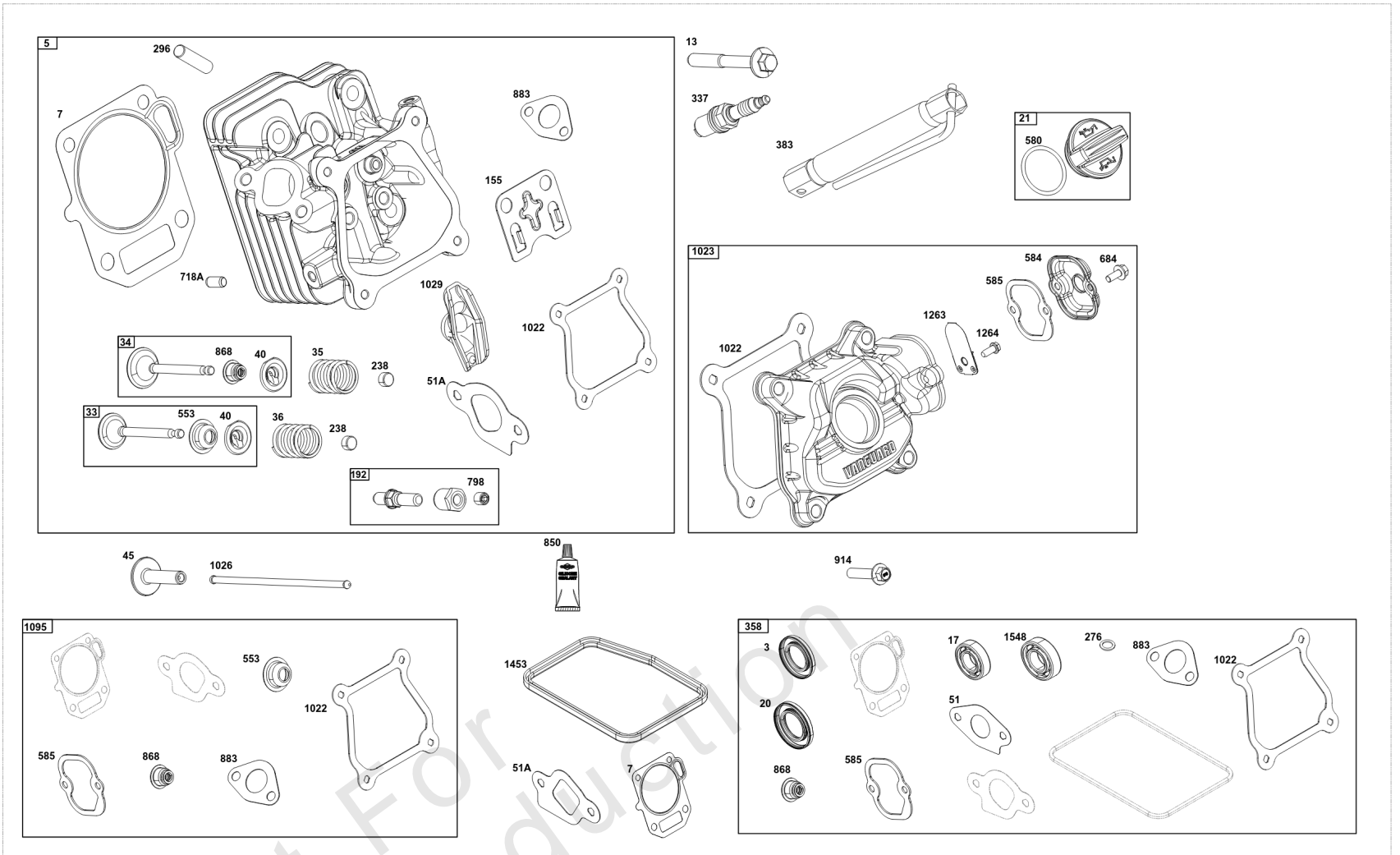
| REF NO | PART NO | QTY | DESCRIPTION |
|--------|----------|-----|--------------------------------------|
| 16 | 84004649 | 1 | CRANKSHAFT |
| 24 | 596976 | 1 | KEY, Flywheel |
| 25 | 84004674 | 1 | PISTON ASSEMBLY |
| 25 | 84005433 | 1 | PISTON ASSEMBLY -(.020" Oversize) |
| 26 | 84005435 | 1 | SET, Ring |
| 26 | 84005437 | 1 | SET, Ring -(.020" Oversize) |
| 27 | 596982 | 1 | LOCK, Piston Pin |
| 28 | 84005441 | 1 | PIN, Piston |
| 29 | 84005444 | 1 | ROD, Connecting |
| 32 | 596984 | 2 | SCREW -(Connecting Rod) |
| 46 | 84005295 | 1 | CAMSHAFT |
| 357 | 692191 | 1 | KEY, Drive Pulley |

Not For Reproduction



Cylinder Group

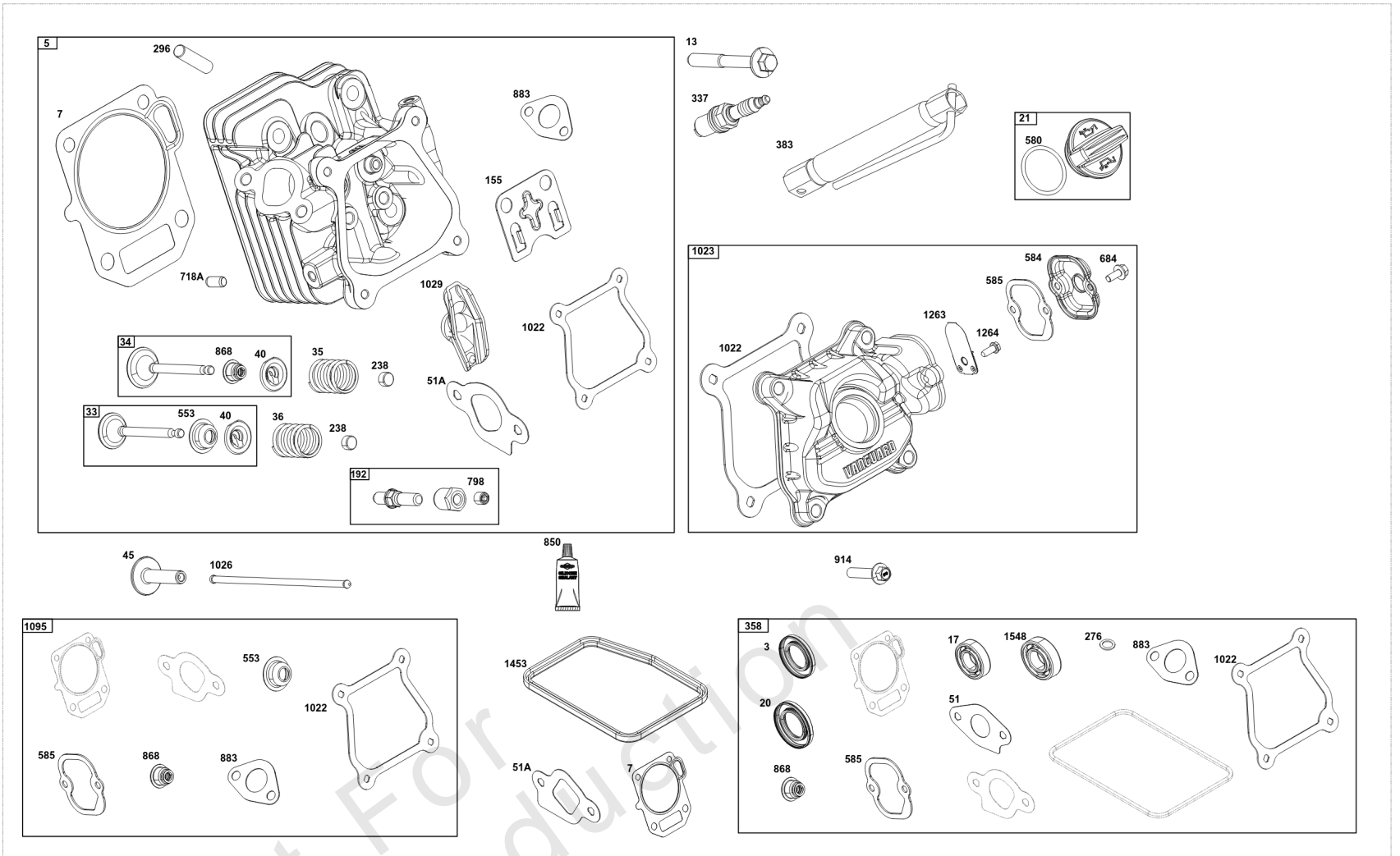
| REF NO | PART NO | QTY | DESCRIPTION |
|--------|----------|-----|---|
| 1 | 84005446 | 1 | CYLINDER ASSEMBLY |
| 3 | 84002132 | 1 | SEAL, Oil -(Magneto Side) |
| 7 | ----- | 1 | GASKET, Cylinder Head -(Part information located in Cylinder Head Group.) |
| 15 | 590678 | 2 | PLUG, Oil Drain |
| 17 | 596990 | 1 | BEARING, Ball -(Cylinder) |
| 20 | ----- | 1 | SEAL, Oil -(Part information located in Crankcase Cover/Sump and Lubrication Group.) |
| 51 | ----- | 1 | GASKET, Intake -(Part information located in Cylinder Head Group.) |
| 51A | ----- | 1 | GASKET, Intake -(Part information located in Cylinder Head Group.) |
| 219 | 597038 | 1 | GEAR, Governor |
| 276 | ----- | 1 | WASHER, Sealing -(Part information located in Carburetor Group.) |
| 306 | 84007614 | 1 | SHIELD, Cylinder |
| 306A | 597076 | 1 | SHIELD, Cylinder |
| 307 | 590850 | 1 | SCREW -(Cylinder Shield) |
| 307A | 590683 | 2 | SCREW -(Cylinder Shield) |
| 358 | 597139 | 1 | GASKET SET, Engine -(Service Kits may include extra parts not specific to this engine.) |
| 404 | 597030 | 1 | WASHER -(Governor Crank) |
| 585 | ----- | 1 | GASKET, Breather Passage -(Part information located in Cylinder Head Group.) |
| 615 | 597031 | 1 | RETAINER, Governor Shaft |
| 616 | 597029 | 1 | CRANK, Governor |
| 718 | 590713 | 2 | PIN, Locating |
| 799 | 590703 | 2 | SCREW -(Oil Sensor) |
| 850 | ----- | 1 | SEALANT, Liquid -(Part information located in Crankcase Cover/Sump and Lubrication Group.) |
| 868 | ----- | 1 | SEAL, Valve -(Part information located in Cylinder Head Group.) |
| 883 | ----- | 1 | GASKET, Exhaust -(Part information located in Exhaust Group.) |
| 1022 | ----- | 1 | GASKET, Rocker Cover -(Part information located in Cylinder Head Group.) |
| 1052 | 84004948 | 1 | SENSOR, Oil |
| 1453 | ----- | 1 | SEAL, Air Cleaner Cover -(Part information located in Air Cleaner Group.) |
| 1548 | ----- | 1 | BEARING, Ball -(Part information located in Crankcase Cover/Sump and Lubrication Group.) |



Not For
Reproduction

Cylinder Head Group

| REF NO | PART NO | QTY | DESCRIPTION |
|--------|----------|-----|---|
| 3 | ----- | 1 | SEAL, Oil -(Part information located in Cylinder Group.) |
| 5 | 84005288 | 1 | HEAD, Cylinder |
| 7 | 84005440 | 1 | GASKET, Cylinder Head |
| 13 | 597008 | 4 | SCREW -(Cylinder Head) |
| 17 | ----- | 1 | BEARING, Ball -(Part information located in Cylinder Group.) |
| 20 | ----- | 1 | SEAL, Oil -(Part information located in Crankcase Cover/Sump and Lubrication Group.) |
| 21 | 84006593 | 1 | CAP, Oil Fill |
| 33 | 84005287 | 1 | VALVE, Exhaust |
| 34 | 84005280 | 1 | VALVE, Intake |
| 35 | 597002 | 2 | SPRING, Valve -(Intake) |
| 36 | 597002 | 2 | SPRING, Valve -(Exhaust) |
| 40 | 590654 | 2 | RETAINER, Valve |
| 45 | 591449 | 2 | TAPPET, Valve |
| 51 | 596769 | 1 | GASKET, Intake |
| 51A | 84005443 | 1 | GASKET, Intake |
| 155 | 592874 | 1 | PLATE, Cylinder Head |
| 192 | 597006 | 2 | ADJUSTER, Rocker Arm |
| 238 | 590649 | 2 | CAP, Valve |
| 276 | ----- | 1 | WASHER, Sealing -(Part information located in Carburetor Group.) |
| 296 | 590631 | 2 | STUD -(Muffler) |
| 337 | 597383 | 1 | PLUG, Spark |
| 358 | ----- | 1 | GASKET SET, Engine -(Part information located in Cylinder Group.) |
| 383 | 19576S | 1 | WRENCH, Spark Plug |
| 553 | 597003 | 1 | RETAINER, Valve Spring |
| 580 | 809894 | 1 | SEAL, O-Ring -(Oil Fill Cap) |
| 584 | 597011 | 1 | COVER, Breather Passage |
| 585 | 597010 | 1 | GASKET, Breather Passage |
| 684 | 597012 | 2 | SCREW -(Breather Passage Cover) |
| 718A | 590637 | 2 | PIN, Locating |
| 798 | 597000 | 2 | SCREW -(Rocker Arm) |
| 850 | ----- | 1 | SEALANT, Liquid -(Part information located in Crankcase Cover/Sump and Lubrication Group.) |
| 868 | 597001 | 1 | SEAL, Valve |
| 883 | ----- | 1 | GASKET, Exhaust -(Part information located in Exhaust Group.) |
| 914 | 597016 | 4 | SCREW -(Rocker Cover) |
| 1022 | 597015 | 1 | GASKET, Rocker Cover |
| 1023 | 597009 | 1 | COVER, Rocker |
| 1026 | 597017 | 2 | ROD, Push |
| 1029 | 596999 | 2 | ARM, Rocker |
| 1095 | 597140 | 1 | GASKET SET, Valve -(Service Kits may include extra parts not specific to this engine.) |
| 1263 | 697124 | 1 | REED, Breather |

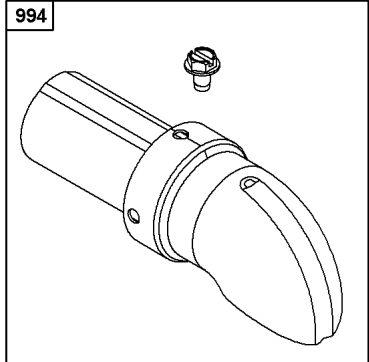
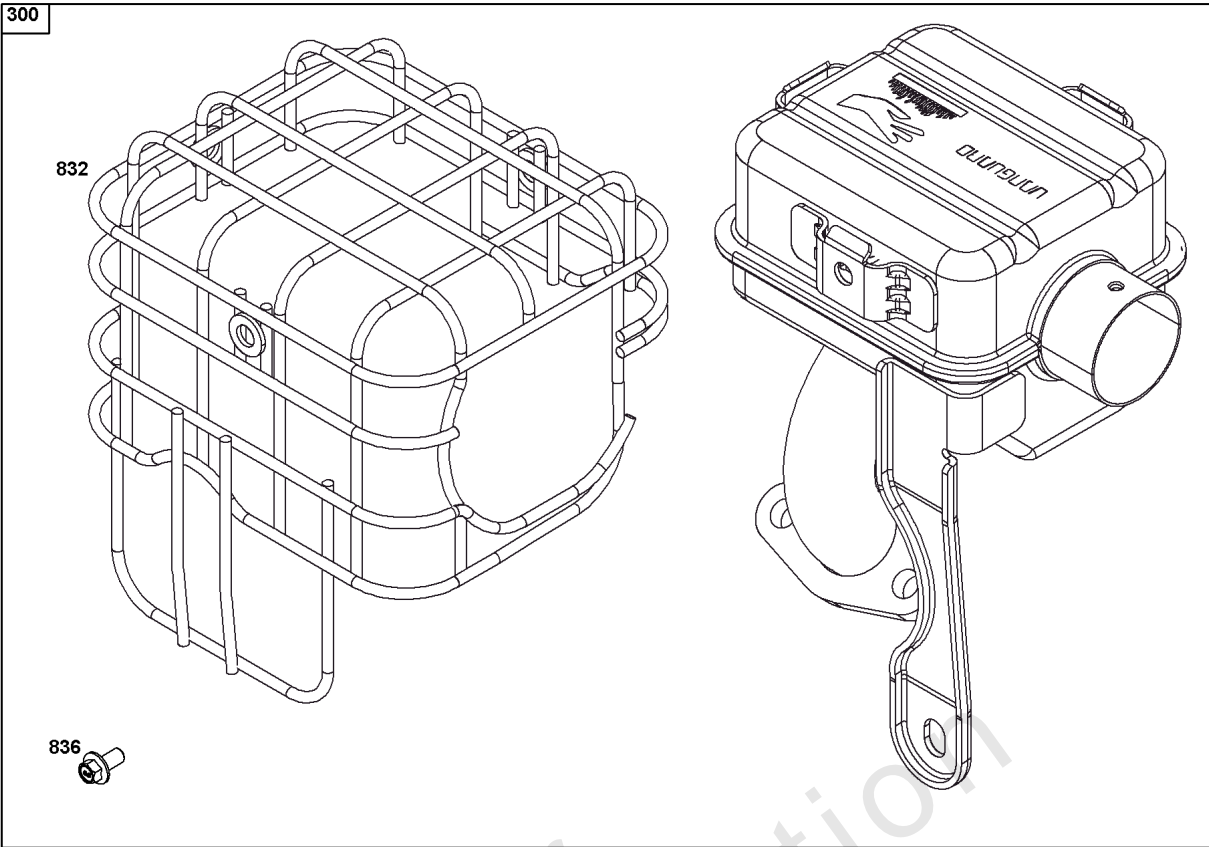


Not For
Reproduction

Cylinder Head Group

| REF NO | PART NO | QTY | DESCRIPTION |
|--------|---------|-----|---|
| 1264 | 793453 | 1 | SCREW -(Breather Reed) |
| 1453 | ----- | 1 | SEAL, Air Cleaner Cover -(Part information located in Air Cleaner Group.) |
| 1548 | ----- | 1 | BEARING, Ball -(Part information located in Crankcase Cover/Sump and Lubrication Group.) |

Not For Reproduction

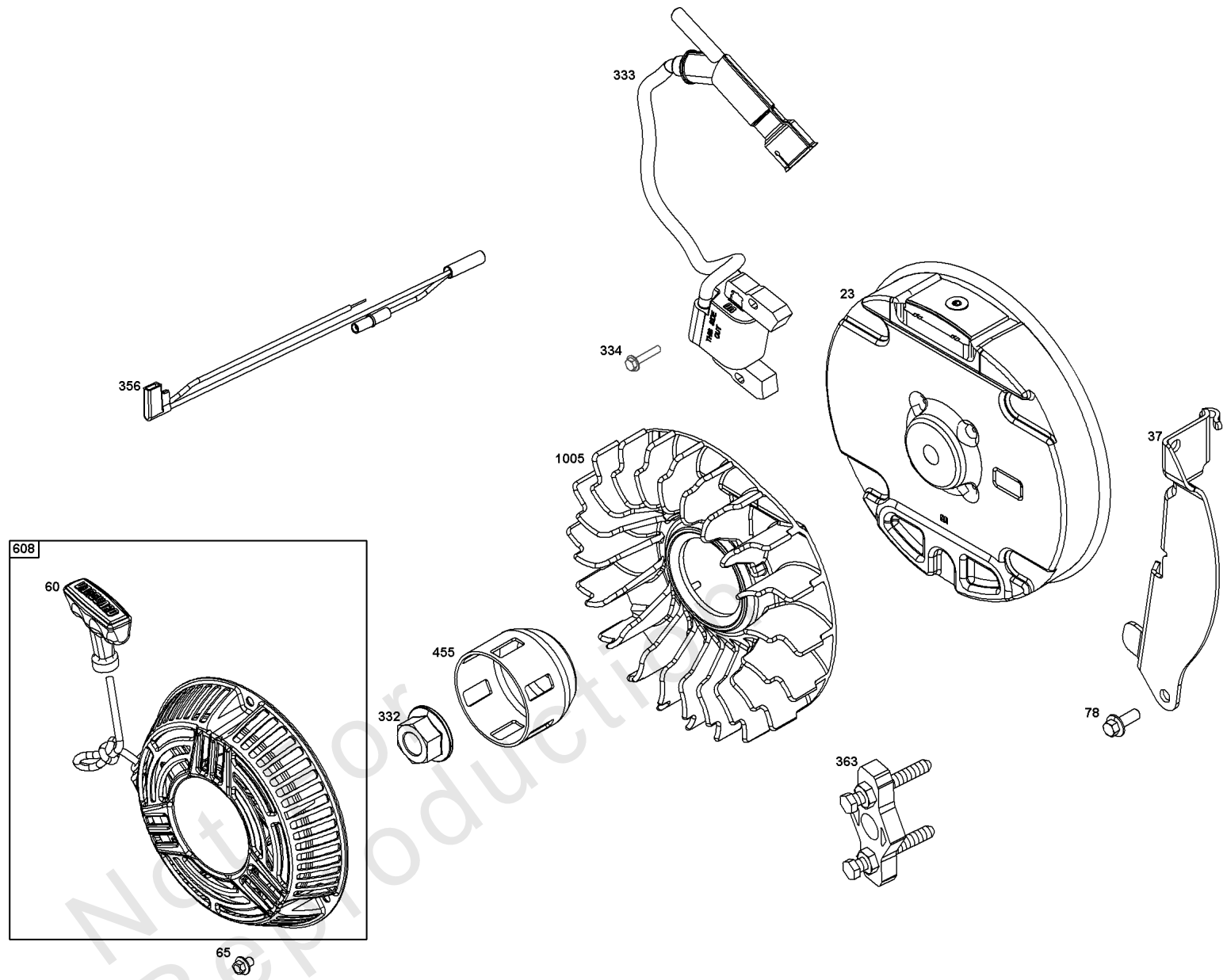


Not For
Reproduction

Exhaust Group

| REF NO | PART NO | QTY | DESCRIPTION |
|--------|----------|-----|---------------------------|
| 300 | 84005147 | 1 | MUFFLER |
| 832 | 84005354 | 1 | GUARD, Muffler |
| 836 | 590850 | 3 | SCREW -(Muffler Guard) |
| 883 | 597072 | 1 | GASKET, Exhaust |
| 994 | 593207 | 1 | ARRESTOR, Spark |
| 1177 | 590632 | 2 | NUT -(Muffler) |
| 1449 | 590633 | 2 | WASHER -(Muffler) |

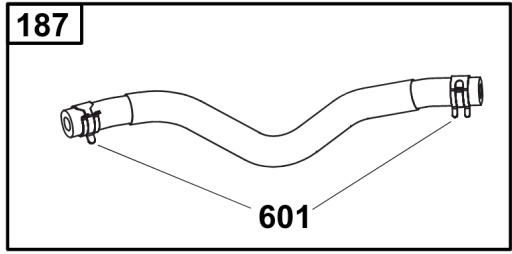
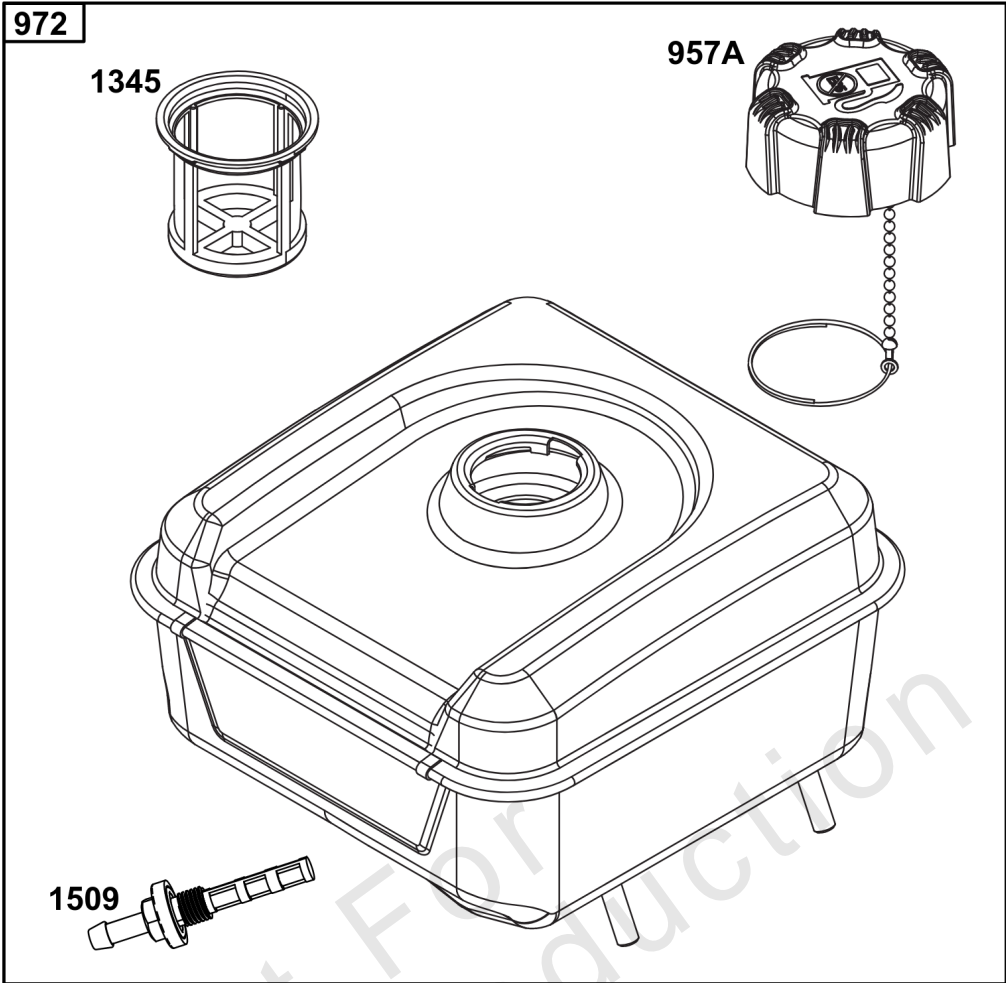
Not For Reproduction



Flywheel, Ignition, and Starter Group

| REF NO | PART NO | QTY | DESCRIPTION |
|---------------|----------------|------------|------------------------------|
| 23 | 597085 | 1 | FLYWHEEL |
| 37 | 84005259 | 1 | GUARD, Flywheel |
| 60 | 597080 | 1 | GRIP, Starter Rope |
| 65 | 590683 | 3 | SCREW -(Rewind Starter) |
| 78 | 590703 | 1 | SCREW -(Flywheel Guard) |
| 332 | 591988 | 1 | NUT -(Flywheel) |
| 333 | 84004673 | 1 | ARMATURE, Magneto |
| 334 | 699477 | 2 | SCREW -(Magneto Armature) |
| 356 | 597054 | 1 | WIRE, Stop |
| 363 | 19203 | 1 | PULLER, Flywheel |
| 455 | 597088 | 1 | CUP, Flywheel |
| 608 | 596772 | 1 | STARTER, Rewind |
| 1005 | 794273 | 1 | FAN, Flywheel |

Not For Reproduction



Fuel Supply Group

| REF NO | PART NO | QTY | DESCRIPTION |
|--------|----------|-----|-----------------------|
| 187 | 597058 | 1 | LINE, Fuel |
| 190 | 591476 | 1 | SCREW -(Fuel Tank) |
| 601 | 791850 | 2 | CLAMP, Hose |
| 705 | 707919 | 2 | NUT -(Fuel Tank) |
| 957A | 596765 | 1 | CAP, Fuel Tank |
| 972 | 84004779 | 1 | TANK, FUEL |
| 1345 | 792917 | 1 | FILTER, Filler Neck |
| 1509 | 797346 | 1 | OUTLET, Tank |

Not For Reproduction

