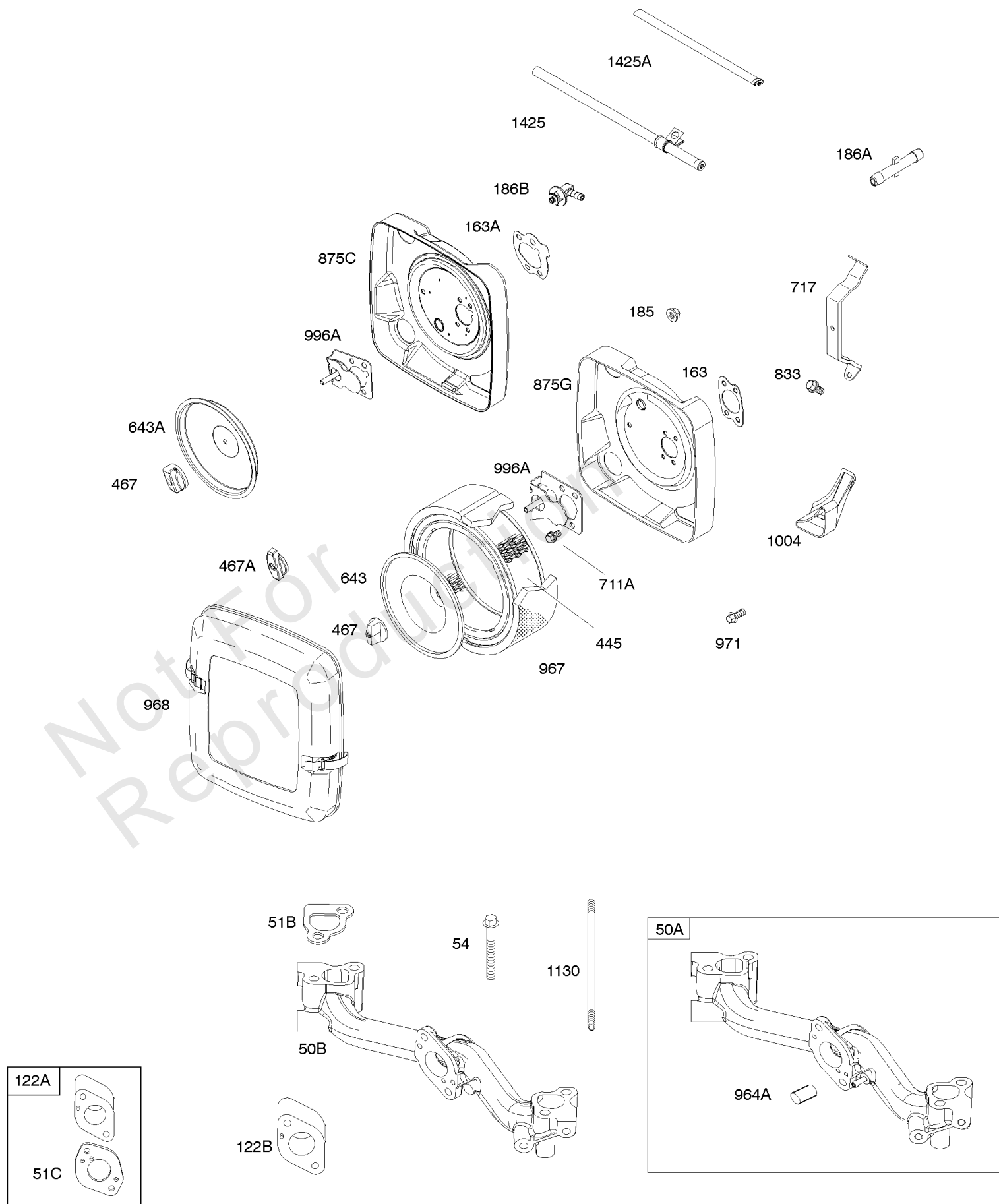




Parts Manual

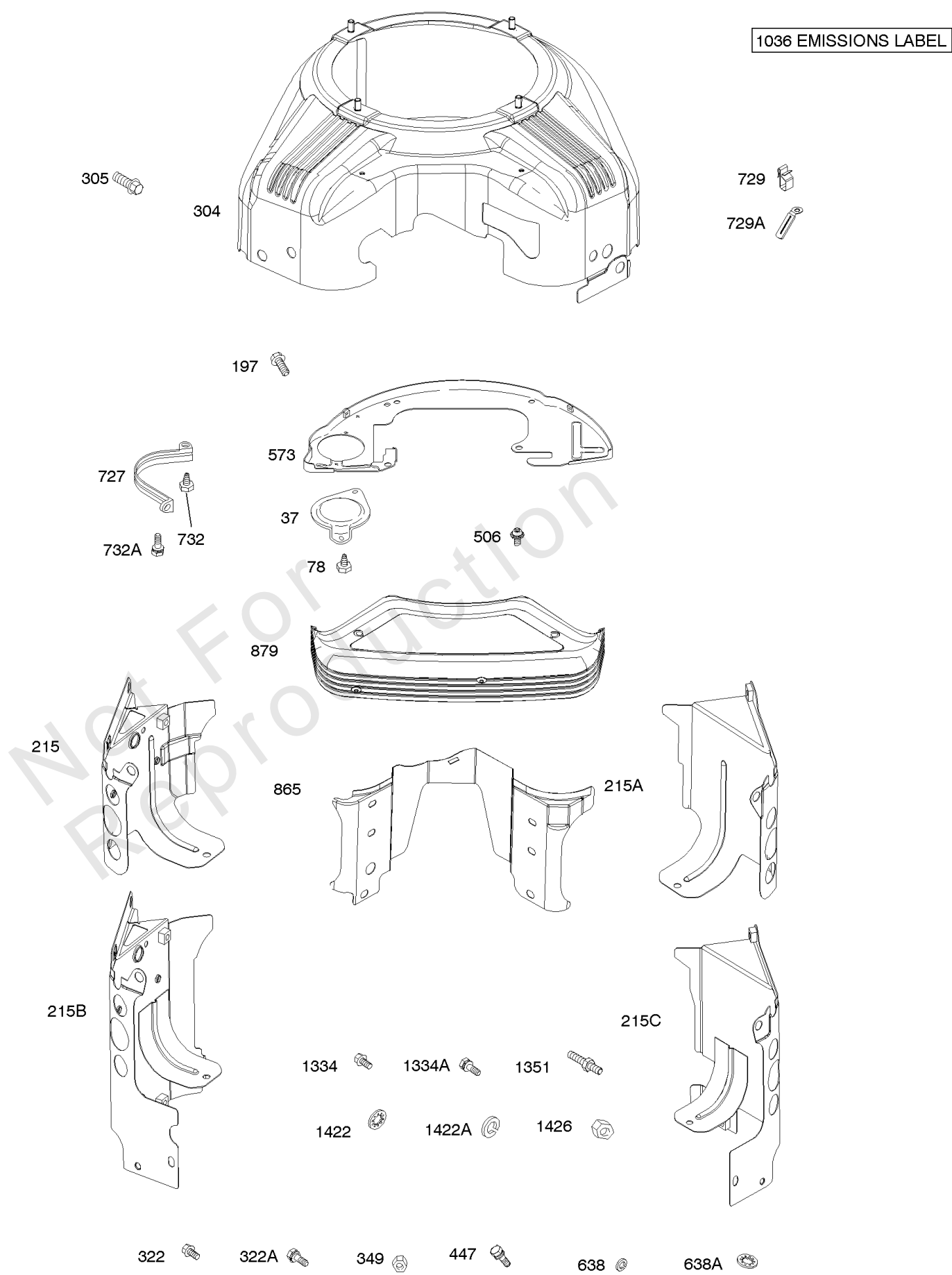
Mfg. No: 305772-0001-B1

Model Components	Page
Air Cleaner, Intake Manifold, Carburetor Spacer.	4
Blower Housing, Air Guides, Back Plate.	6
Carburetor (Ruixing).	8
Carburetor Overhaul Kit, Engine/Valve Gasket Sets.	10
Carburetor, Fuel Pump, Fuel Filter, Fuel Hose.	14
Controls, Wires, Springs, Alternators, Ignition.	20
Cylinder Heads, Rocker Covers, Spark Plug.	24
Cylinder, Crankshaft, Piston/Rings/Connecting Rod, Engine Sump, Camshaft, Breather.	26
Lubrication, Oil Fill, Electric Starter.	30
Muffler, Exhaust Manifold.	34
Replacement Engine - Europe, Middle East & Africa.	36
Replacement Engine - US & Canada.	37
Rewind Starter, Flywheel, Rotating/Debris Screen.	38
Model 29, 30, 35 & 38 Engine Accessories Catalog.	40
Maintenance Kits.	41
Lubrication.	43
Starter Motor Side Outlet Mufflers.	45
Oil Filter Side Outlet Mufflers.	47
Oil Filter Side Outlet Manifolds.	49
Starter Motor Side Outlet Manifolds.	51
Mufflers.	53
Center Outlet Mufflers.	55
Muffler Guards and Shields.	57
Spark Arrestors and Deflectors.	59
Muffler Mounting Hardware.	61
Flywheel and Air Intake Guards.	63
PTO.	65
Electrical.	67
Speed Control.	69



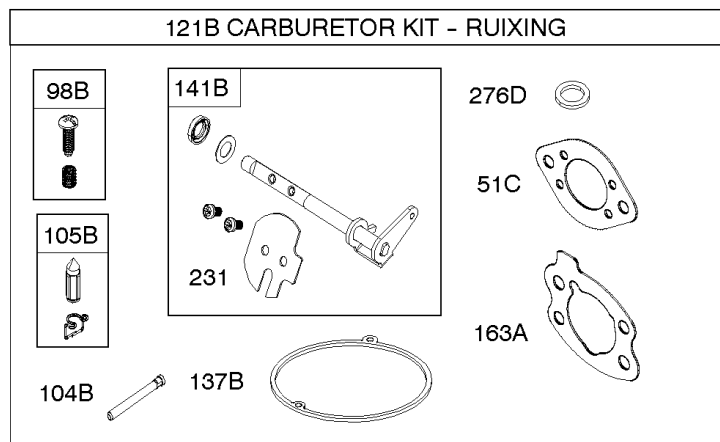
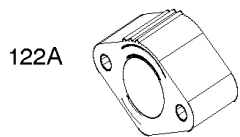
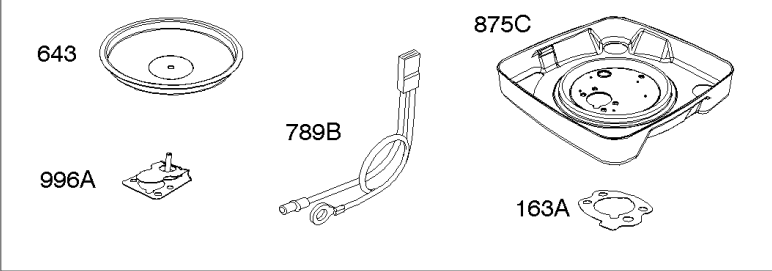
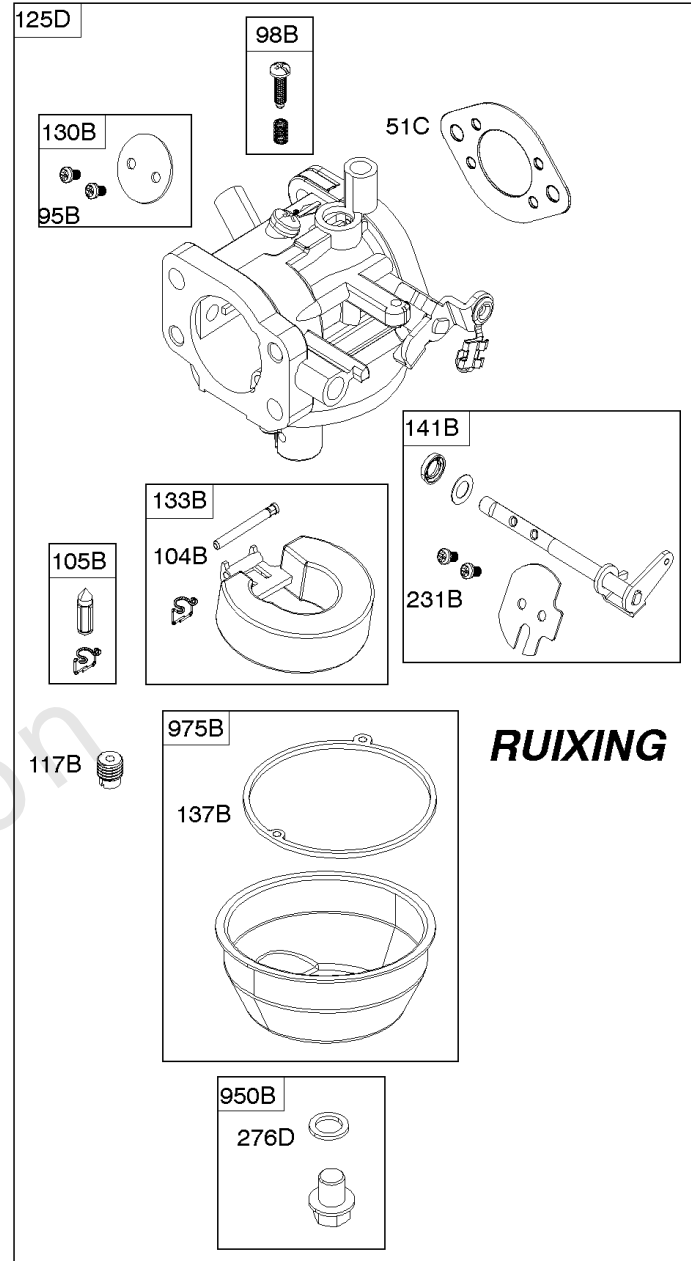
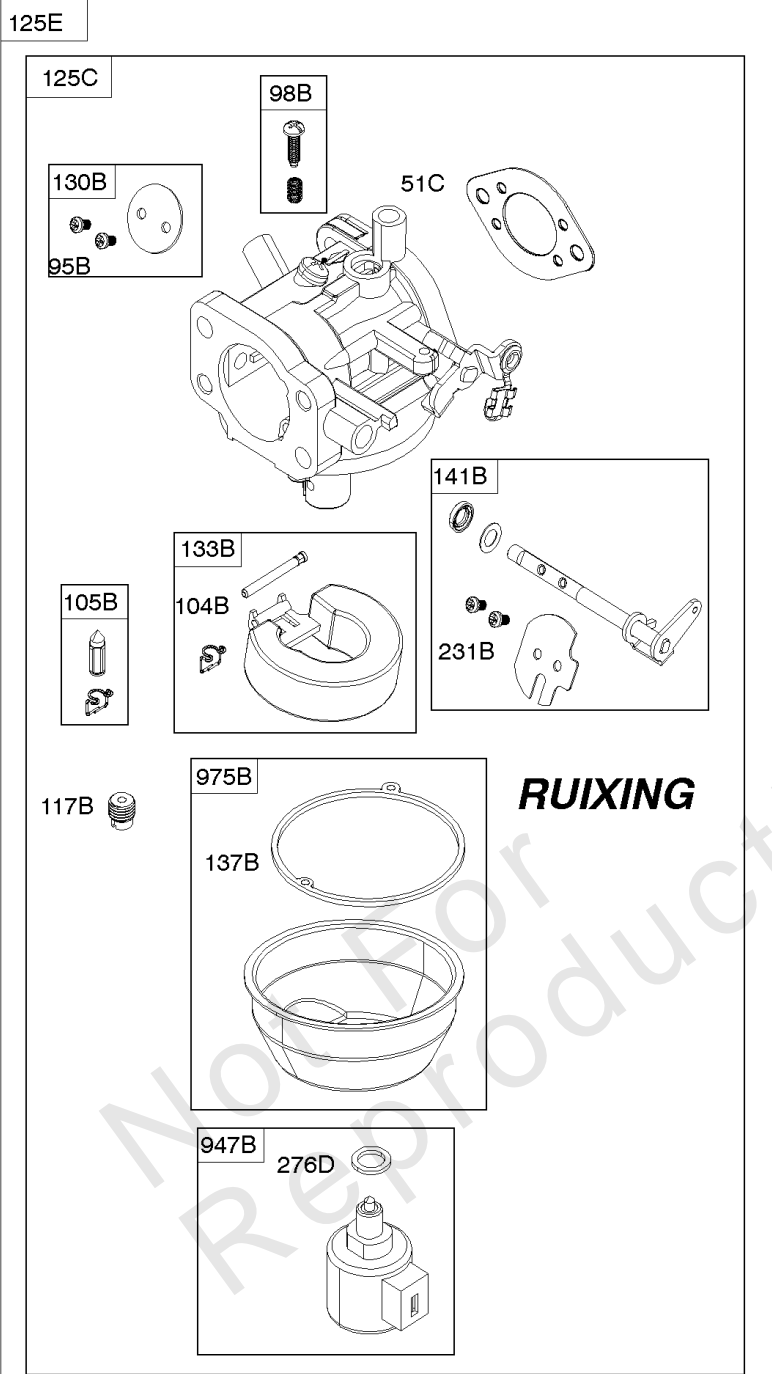
Air Cleaner, Intake Manifold, Carburetor Spacer

REF NO	PART NO	QTY	DESCRIPTION
50B	690754		MANIFOLD, Intake
51B	692035		GASKET, Intake -(Intake Manifold to Cylinder Head)
51C	846597		GASKET, Intake -(Intake Manifold To Carburetor)
54	846604		SCREW -(Intake Manifold) (M8x67mm) (Dog Point)
122A	846596		SPACER, Carburetor -Used After Code Date 10010600
122B	690753		SPACER, Carburetor -Used Before Code Date 10010700
163	692081		GASKET, Air Cleaner -(Air Cleaner)
163A	844931		GASKET, Air Cleaner
185	690939		NUT -(Air Cleaner Base)
186A	845121		CONNECTOR, Hose
186B	845141		CONNECTOR, Hose
445	394018S		FILTER, A/C Cartridge
467	844618		KNOB, Air Cleaner Cover -Used Before Code Date 14102400
467A	846431		KNOB, Air Cleaner Cover -Used After Code Date 14102300
643	692079		RETAINER, Air Filter -Used Before Code Date 10010700
643A	844932		RETAINER, Air Cleaner -Used After Code Date 10010600
711A	841233		SCREW -(Carburetor Shield)
717	692542		STRAP/STUD, Air Cleaner Mounting
833	807084		SCREW -(Air Cleaner Mounting Strap/Stud) (M6x14mm)
875C	844929		BASE, Air Cleaner -Used After Code Date 10010600
875G	846046		BASE-AIR CLEANER -Used Before Code Date 10010700
964A	809640		CAP, Connector
967	272490S		FILTER, Pre Cleaner
968	699959		COVER, Air Cleaner
971	807084		SCREW -(Air Cleaner Base to Carburetor/Throttle Body)
996A	844930		SHIELD, Carburetor
1004	841656		DUCT, Air
1130	690746		STUD -(Intake Manifold) (M6x94mm)



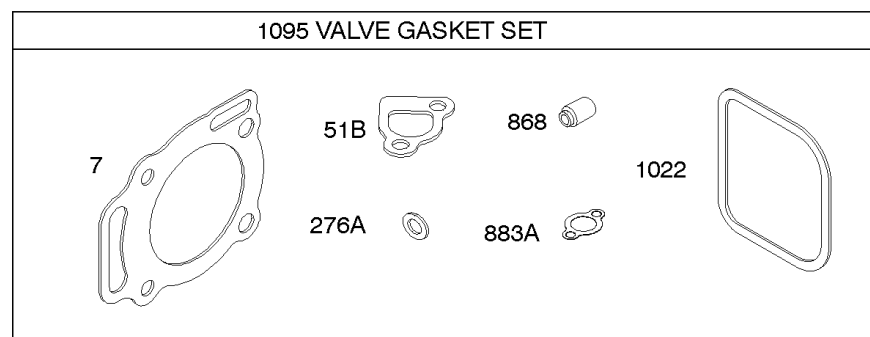
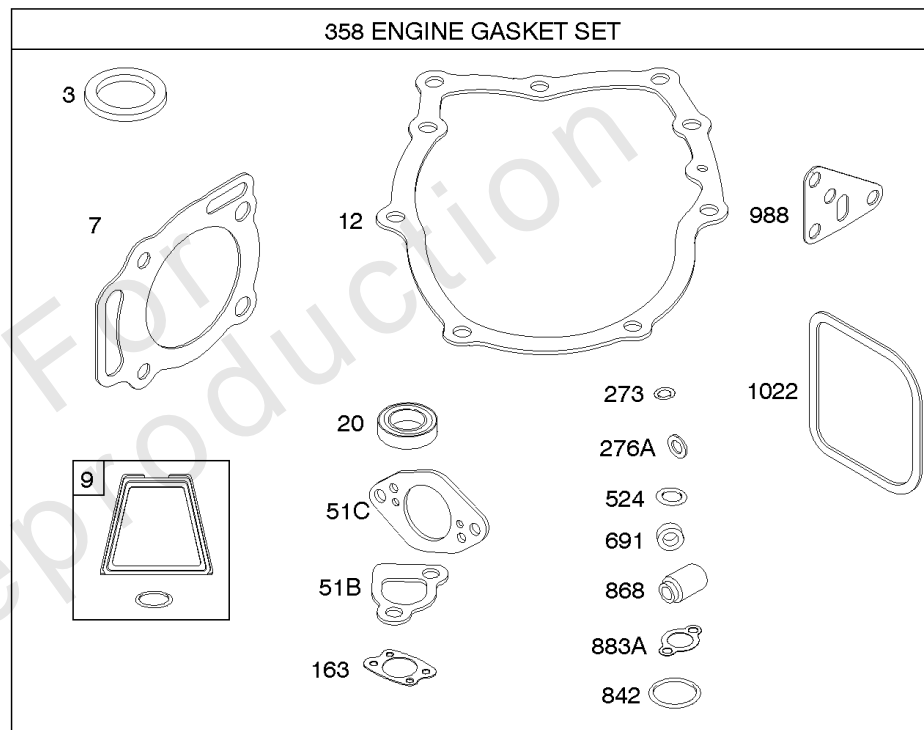
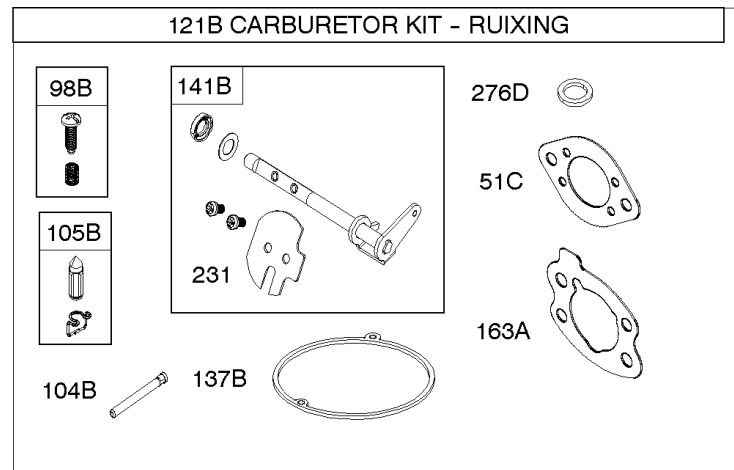
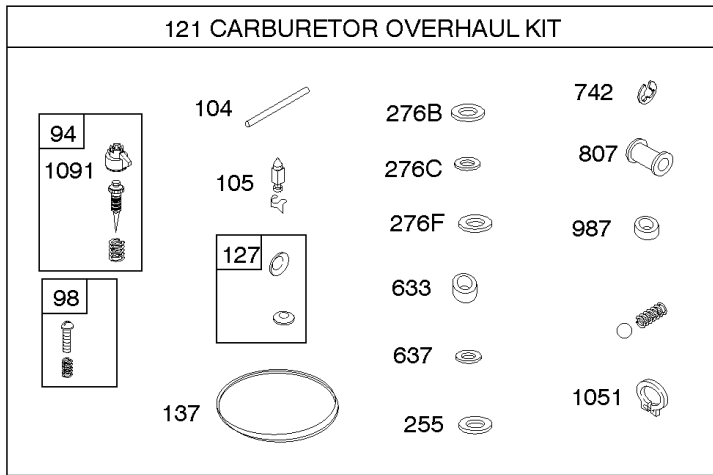
Blower Housing, Air Guides, Back Plate

REF NO	PART NO	QTY	DESCRIPTION
37	841309		GUARD, Flywheel
78	690688		SCREW -(Flywheel Guard)
197	807163		SCREW -(Back Plate)
215	841183		GUIDE, Air -(Cylinder 1)
215A	841182		GUIDE, Air -(Cylinder 2)
304	842681		HOUSING, Blower
305	692056		SCREW -(Blower Housing)
322	841233		SCREW -(Cylinder Head Cover) (M6x10mm)
322A	692067		SCREW -(Cylinder Head Cover) (M6x12mm)
349	690238		NUT -(Cylinder Head Cover) (M6)
447	807163		SCREW -(Air Guide Cover) (M6x10mm)
506	807120		SCREW -(Carburetor/EFI Cover)
573	841310		PLATE, Back
638	691551		WASHER -(Cylinder Head Cover) -Used Before Code Date 03110100
638A	690706		WASHER -(Cylinder Head Cover)
727	841313		COVER, Starter Drive
729	690586		CLIP, Wire
729A	805965		CLIP, Wire
732	690688		SCREW -(Starter Drive Cover) (Self Threading) (8mm)
732A	841233		SCREW -(Starter Drive Cover) (M6x10mm)
865	843768		COVER, Air Guide
879	593789		COVER, Carburetor/EFI
1036	-----		LABEL, Emissions -(Available From A Briggs & Stratton Authorized Dealer)
1334	841233		SCREW -(Air Guide) (M6x10mm)
1334A	692067		SCREW -(Air Guide) (M6x12mm)
1351	690682		STUD -(Cylinder Shield) (M6)
1422	691551		WASHER -(Air Guide) (Internal Tooth Lockwasher)
1422A	690706		WASHER -(Air Guide) (Lockwasher)
1426	690238		NUT -(Air Guide) (M6)



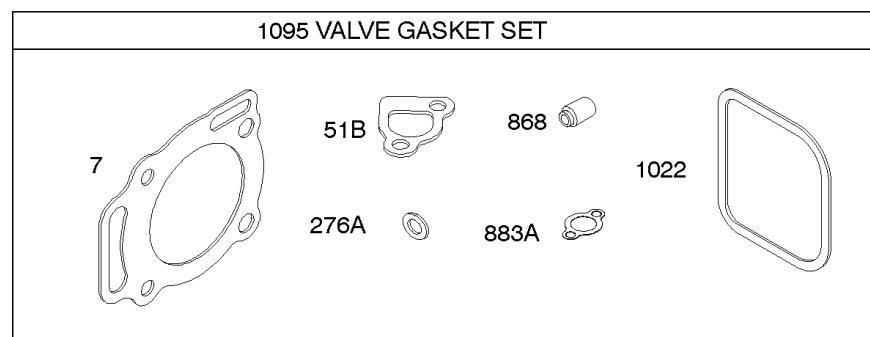
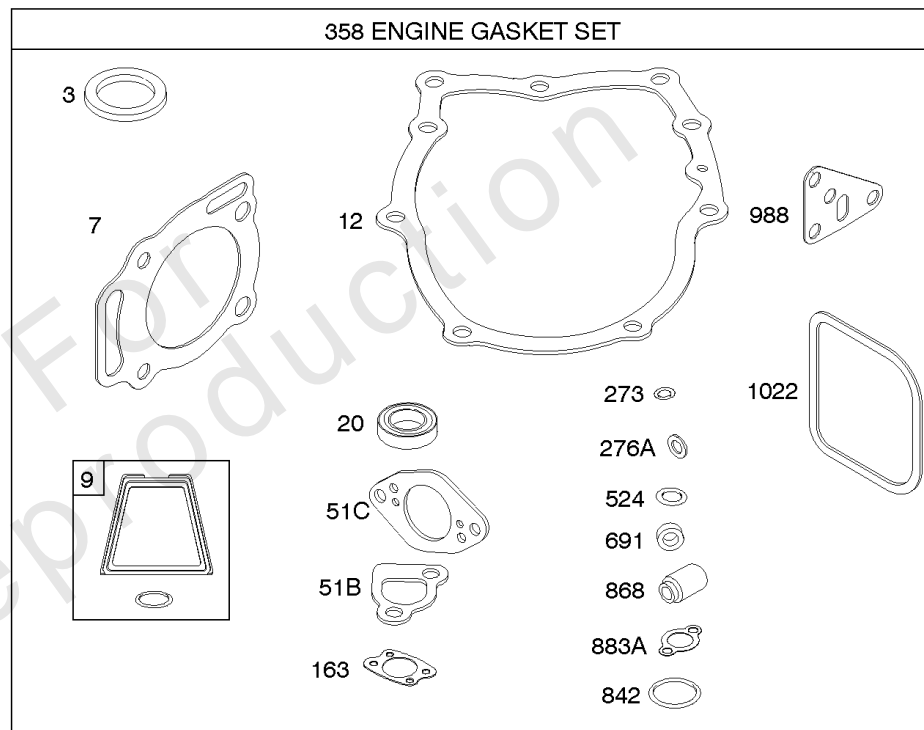
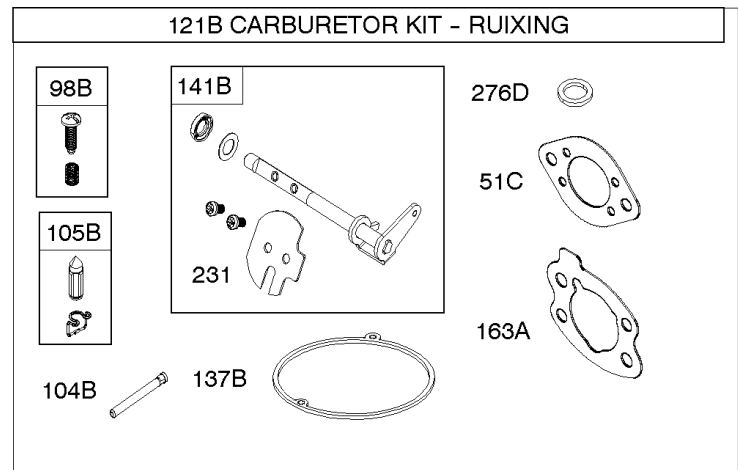
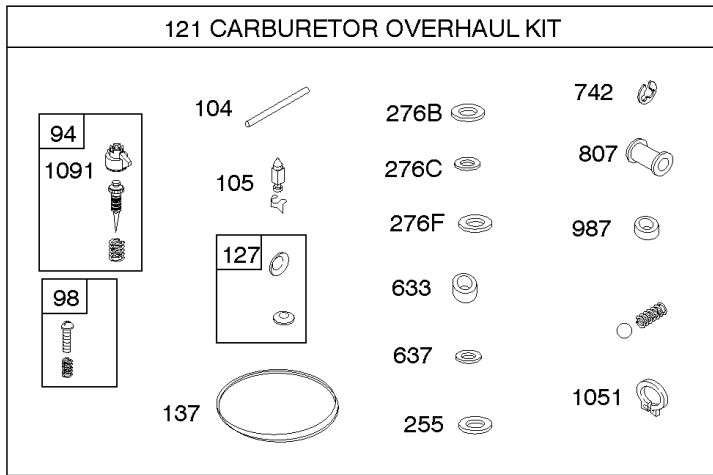
Carburetor (Ruixing)

REF NO	PART NO	QTY	DESCRIPTION
51C	846597		GASKET, Intake -(Intake Manifold To Carburetor)
95B	846644		SCREW -(Throttle Valve) (Ruixing)
98B	846649		KIT, Idle Speed -(Ruixing)
104B	846646		PIN, Float Hinge -(Ruixing)
105B	846643		VALVE, Float Needle -(Ruixing)
117B	846647		JET, Main -(Standard) (Ruixing)
118B	846589		JET, Main -(High Altitude) (HIGH ALITITUDE 9000 ft. - Ruixing)
118B	846590		JET, Main -(High Altitude) (HIGH ALITITUDE 5000 ft. - Ruixing)
121B	847318		KIT, Carburetor Overhaul -(Ruixing)
122A	846596		SPACER, Carburetor -Used After Code Date 10010600
125D	846594		CARBURETOR -(Ruixing) -Used After Code Date 16053100
130B	846638		VALVE, Throttle -(Ruixing)
133B	846645		FLOAT, Carburetor -(Ruixing)
137B	846642		GASKET, Float Bowl -(Ruixing)
141B	846637		KIT, Choke Shaft -(Ruixing)
163A	844931		GASKET, Air Cleaner
231	690718		SCREW -(Choke Valve)
231B	846644		SCREW -(Choke Valve) (Ruixing)
276D	846640		WASHER, Sealing -(Ruixing)
643	692079		RETAINER, Air Filter -Used Before Code Date 10010700
789B	844914		HARNES, Wiring -(Fuel Solenoid)
875C	844929		BASE, Air Cleaner -Used After Code Date 10010600
947B	846639		SOLENOID, Fuel -(Ruixing)
950B	846648		SCREW -(Float Bowl) (Ruixing)
975B	846641		BOWL, Float -(Ruixing)
996A	844930		SHIELD, Carburetor



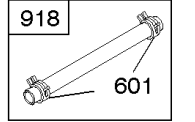
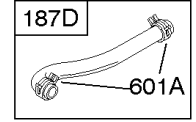
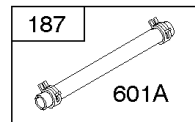
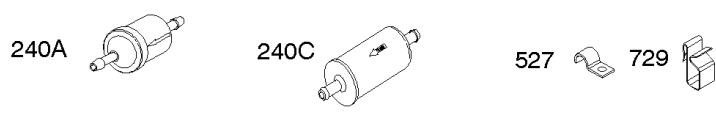
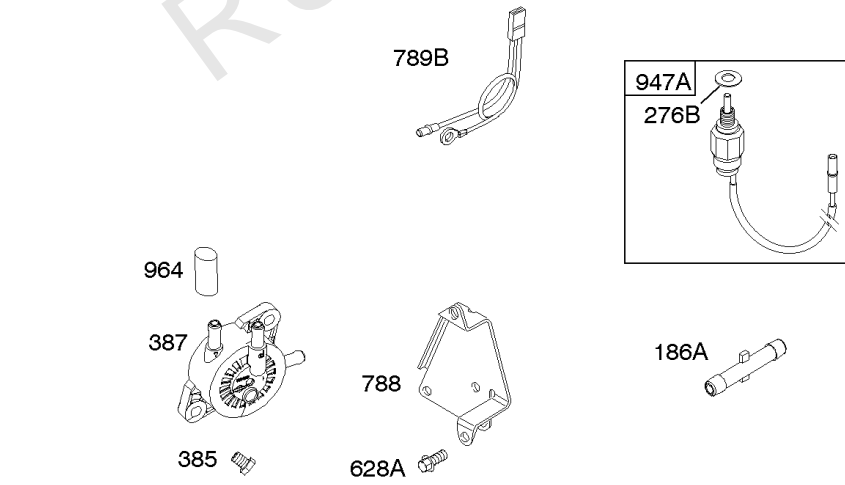
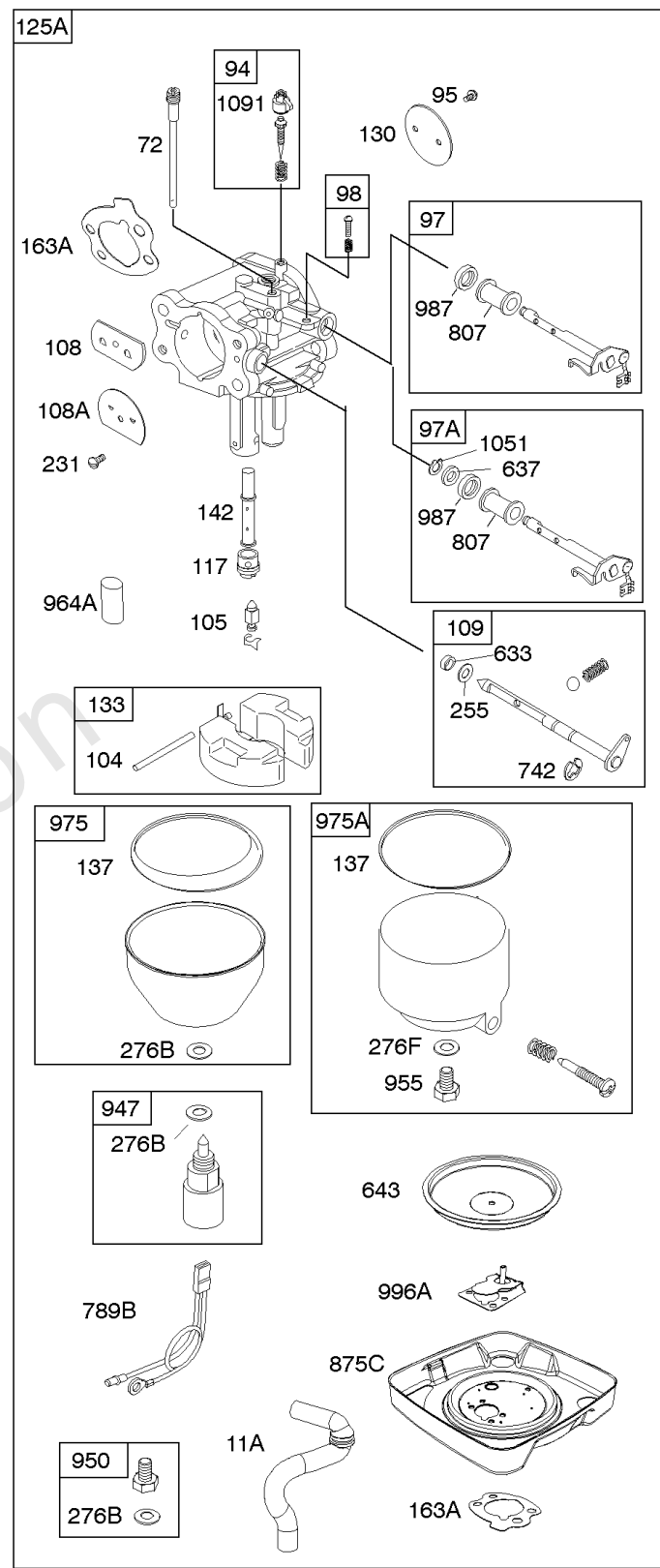
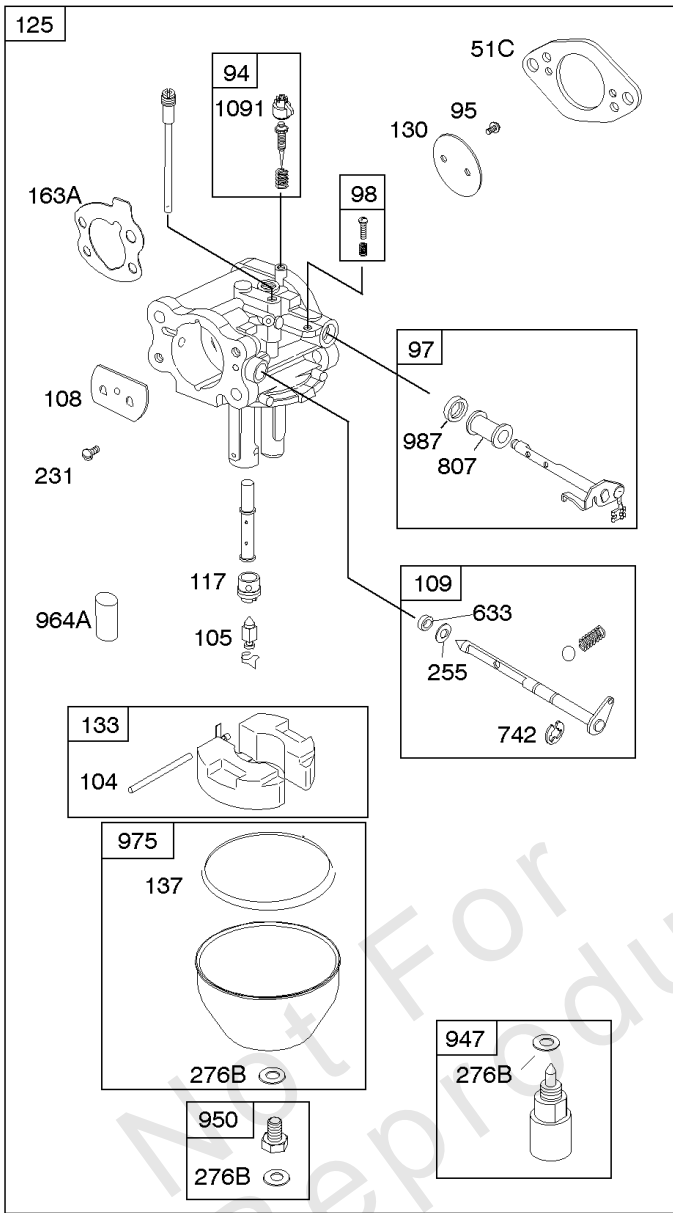
Carburetor Overhaul Kit, Engine/Valve Gasket Sets

REF NO	PART NO	QTY	DESCRIPTION
3	805101S		SEAL, Oil -(Magneto Side)
7	806085S		GASKET, Cylinder Head
9	844986		GASKET, Breather
12	846487		GASKET, Crankcase
20	805049S		SEAL, Oil -(PTO Side)
51B	692035		GASKET, Intake -(Intake Manifold to Cylinder Head)
51C	846597		GASKET, Intake -(Intake Manifold To Carburetor)
94	808258		VALVE, Idle Mixture -Used Before Code Date 06122500
94	844912		KIT, Idle Mixture -Used After Code Date 10010600
94	842888		KIT, Idle Mixture -Used After Code Date 06122400 -Used Before Code Date 10010700
98	807705		KIT, Idle Speed -(Idle Speed)
98B	846649		KIT, Idle Speed -(Ruixing)
104	690739		PIN, Float Hinge -Used Before Code Date 10010700
104	844906		PIN, Float Hinge -Used After Code Date 10010600
104B	846646		PIN, Float Hinge -(Ruixing)
105	844907		VALVE, Float Needle -Used After Code Date 10010600
105	807706		VALVE, Float Needle -Used Before Code Date 10010700
105B	846643		VALVE, Float Needle -(Ruixing)
121	842890		KIT, Carburetor Overhaul
121B	847318		KIT, Carburetor Overhaul -(Ruixing)
127	690731		PLUG, Welch
137	844908		GASKET, Float Bowl -Used After Code Date 10010600
137	806481		GASKET, Float Bowl -Used Before Code Date 10010700
137B	846642		GASKET, Float Bowl -(Ruixing)
141B	846637		KIT, Choke Shaft -(Ruixing)
163	692081		GASKET, Air Cleaner -(Air Cleaner)
163A	844931		GASKET, Air Cleaner
231	690718		SCREW -(Choke Valve)
255	690737		BUSHING, Choke Shaft
273	690681		SEAL, O-Ring -(Oil Pump)
276A	807085		WASHER, Sealing -(Rocker Cover)
276B	806476		WASHER, Sealing -(Carburetor)
276C	806477		WASHER, Sealing -(Carburetor)



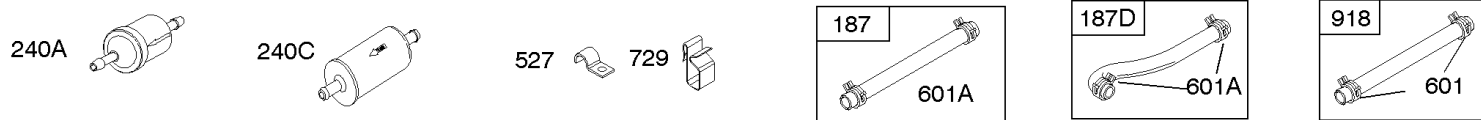
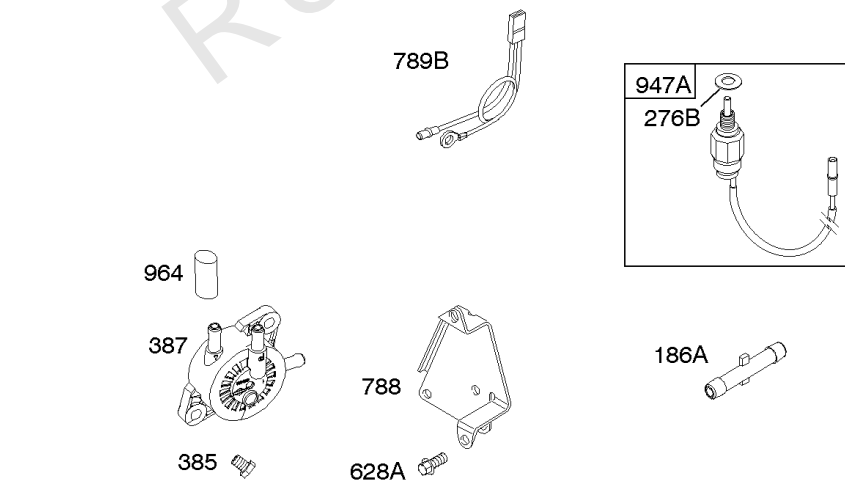
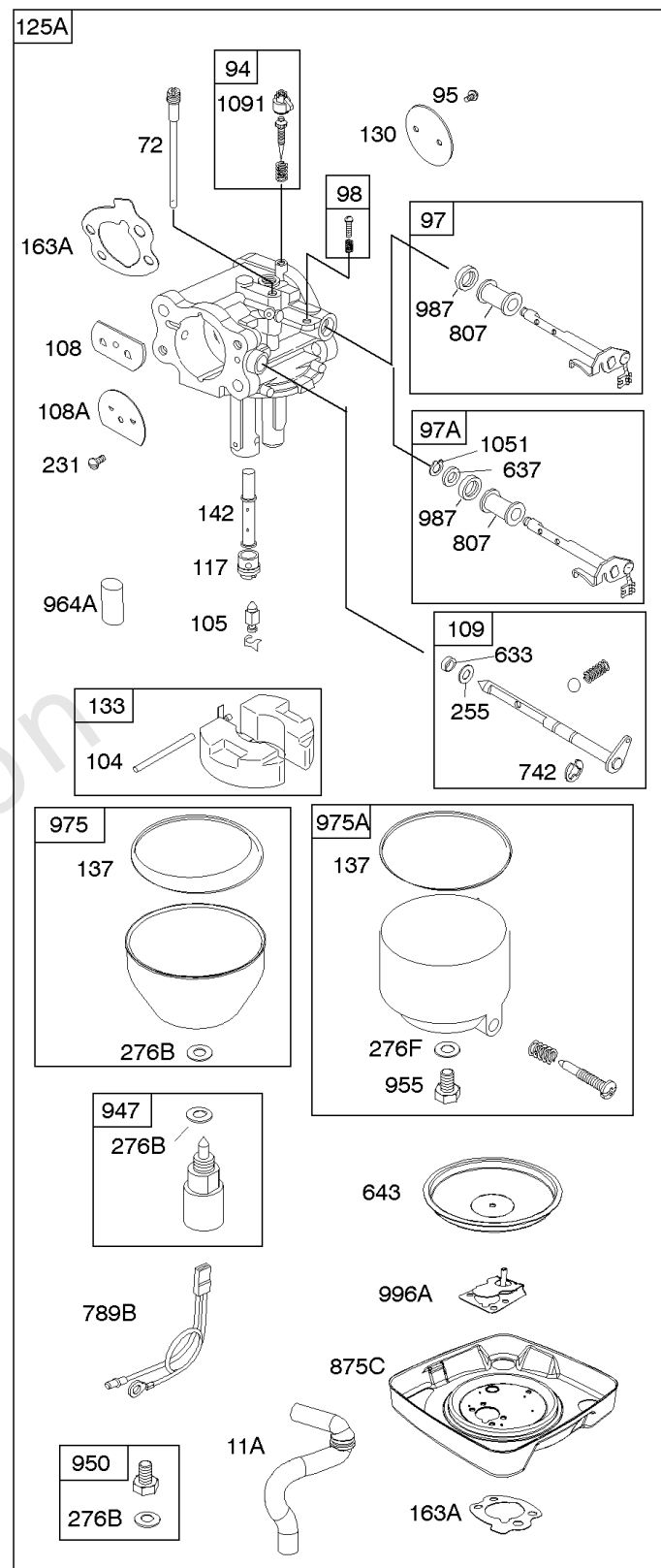
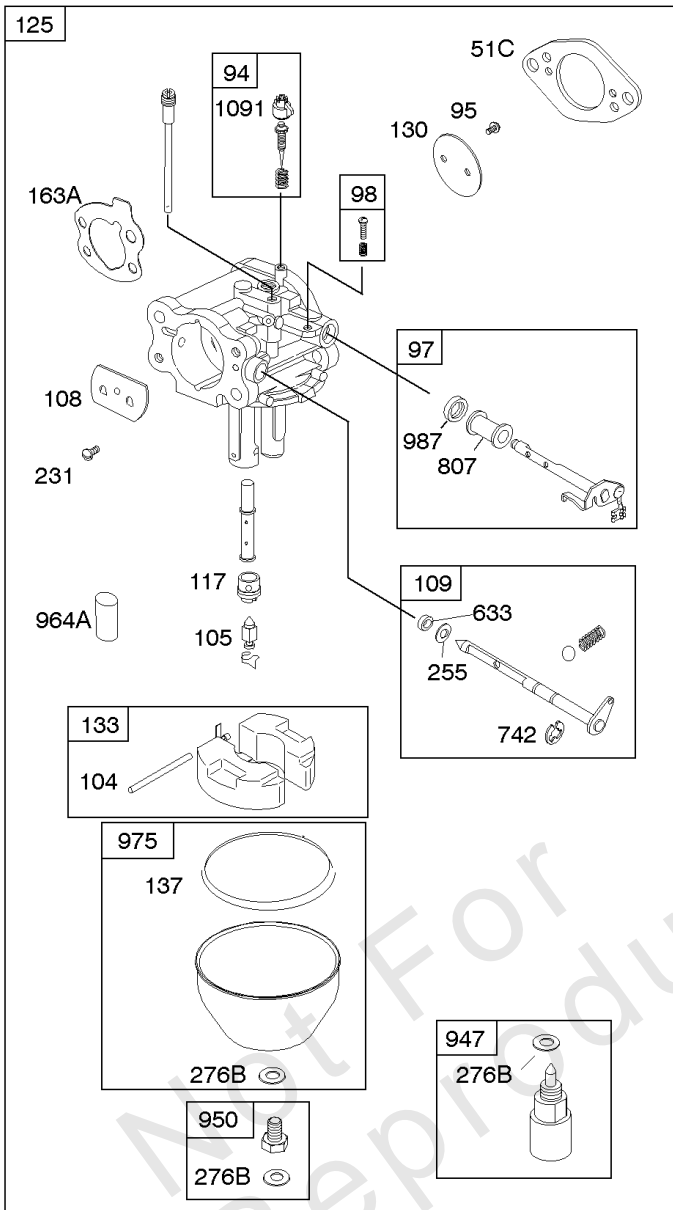
Carburetor Overhaul Kit, Engine/Valve Gasket Sets

REF NO	PART NO	QTY	DESCRIPTION
276D	846640		WASHER, Sealing -(Ruixing)
276F	692343		WASHER, Sealing
358	808704		GASKET SET, Engine
524	692053		SEAL, O-Ring -(Dipstick Tube)
633	690738		SEAL, Choke/Throttle Shaft -(Choke Shaft)
637	690735		WASHER -(Throttle Shaft)
691	842826		SEAL, Governor Shaft
742	805578		RETAINER, E Ring -(Choke Shaft)
807	690733		SPACER -(Throttle)
842	691870		SEAL, O-Ring -(Dipstick Tube)
868	691963		SEAL, Valve
883A	691613		GASKET, Exhaust
987	691548		SEAL, Choke/Throttle Shaft
988	692063		GASKET, Oil Adapter
1022	806039S		GASKET, Rocker Cover
1051	690736		RING, Retaining -(Throttle Shaft)
1091	691515		CAP, Limiter
1095	842723		GASKET SET, Valve



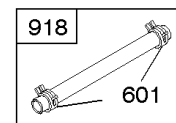
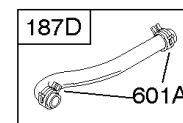
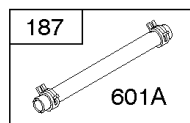
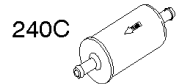
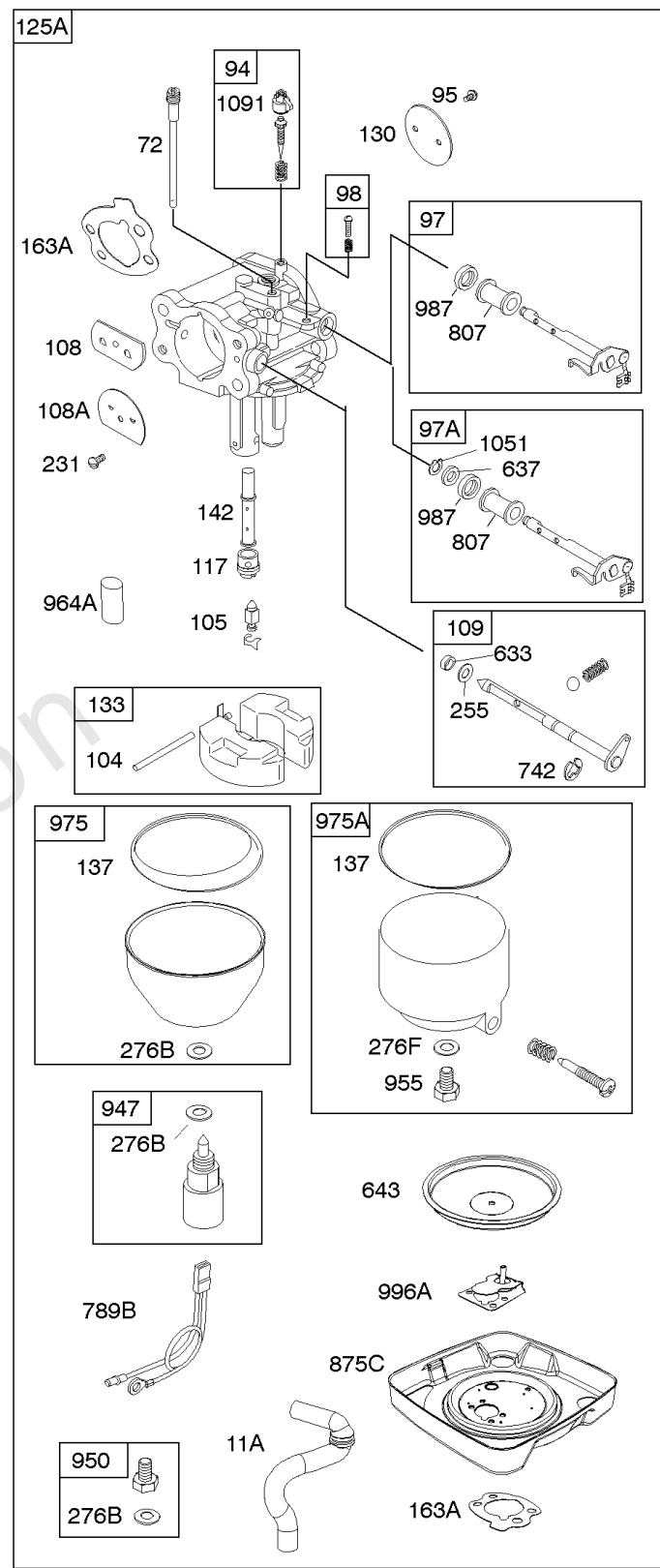
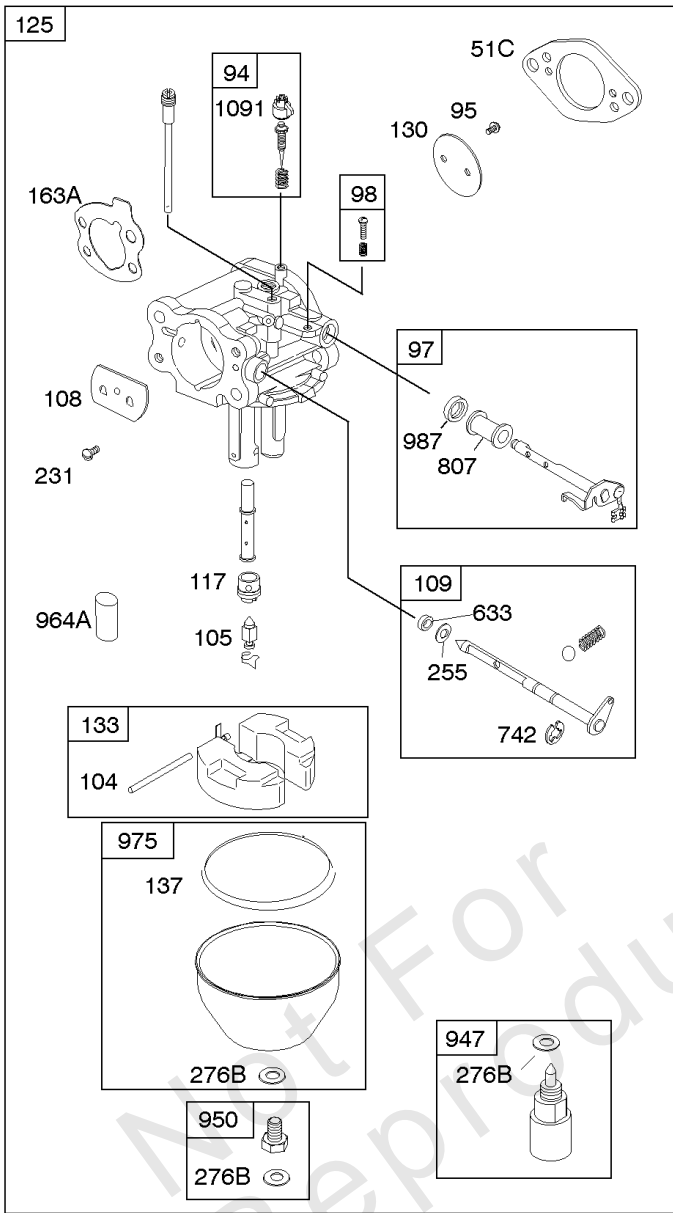
Carburetor, Fuel Pump, Fuel Filter, Fuel Hose

REF NO	PART NO	QTY	DESCRIPTION
11A	844921		TUBE, Breather -Used After Code Date 10010600
51C	846597		GASKET, Intake -(Intake Manifold To Carburetor)
72	806488		TUBE, Jet -(Standard) -Used Before Code Date 10010700
94	844912		KIT, Idle Mixture -Used After Code Date 10010600
94	808258		VALVE, Idle Mixture -Used Before Code Date 06122500
94	842888		KIT, Idle Mixture -Used After Code Date 06122400 -Used Before Code Date 10010700
95	690718		SCREW -(Throttle Valve)
97	844917		SHAFT, Throttle -Used After Code Date 10010600
97A	808323		SHAFT, Throttle -Used Before Code Date 10010700
98	807705		KIT, Idle Speed -(Idle Speed)
104	690739		PIN, Float Hinge -Used Before Code Date 10010700
104	844906		PIN, Float Hinge -Used After Code Date 10010600
105	807706		VALVE, Float Needle -Used Before Code Date 10010700
105	844907		VALVE, Float Needle -Used After Code Date 10010600
108	844903		VALVE, Choke -(, For Replacement See Reference 125) -Used After Code Date 10010600
108A	690729		VALVE, Choke -Used Before Code Date 10010700
109	844913		SHAFT, Choke -Used After Code Date 10010600
109	807711		SHAFT, Choke -Used Before Code Date 10010700
117	844910		JET, Main -(Standard) -Used After Code Date 10010600
117	806487		JET, Main -(Standard) -Used Before Code Date 10010700
118	845545		JET, Main -(High Altitude) (High Altitude) -Used After Code Date 10010600
118	806634		JET, Main -(High Altitude) (High Altitude) -Used Before Code Date 10010700
125	844918		CARBURETOR -(Non-Fuel Solenoid) -Used After Code Date 10010600 -Used Before Code Date 16060100
125A	846053		CARBURETOR -(Non-Fuel Solenoid) -Used Before Code Date 10010600
130	690732		VALVE, Throttle
133	807710		FLOAT, Carburetor -Used Before Code Date 10010700



Carburetor, Fuel Pump, Fuel Filter, Fuel Hose

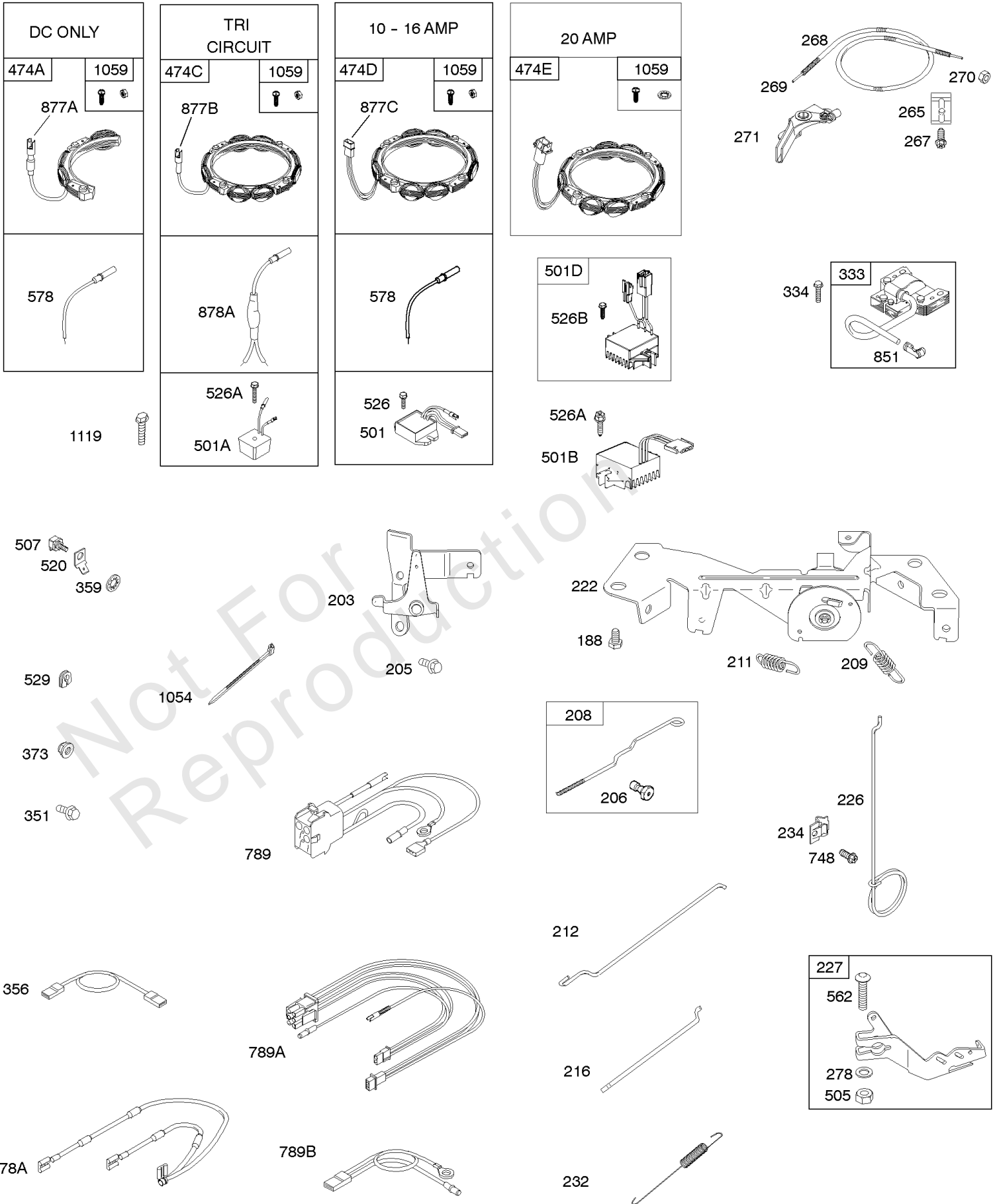
REF NO	PART NO	QTY	DESCRIPTION
133	844905		FLOAT, Carburetor -Used After Code Date 10010600
137	844908		GASKET, Float Bowl -Used After Code Date 10010600
137	806481		GASKET, Float Bowl -Used Before Code Date 10010700
142	806635		NOZZLE, Carburetor -Used Before Code Date 10010700
163A	844931		GASKET, Air Cleaner
186A	845121		CONNECTOR, Hose
187	791745		LINE, Fuel -(23) (Cut to Required Length)
187	791766		LINE, Fuel -(15" Long)(Cut to Required Length)
187D	791744		LINE, Fuel -(Formed)(14 Inches Long)(Cut To Required Length)
231	690718		SCREW -(Choke Valve)
240A	84001895		FILTER, Fuel
240C	845125		FILTER, Fuel
255	690737		BUSHING, Choke Shaft
276B	806476		WASHER, Sealing -(Carburetor)
276F	692343		WASHER, Sealing
385	807084		SCREW -(Fuel Pump)
387	808656		PUMP, Fuel
527	690423		CLAMP, Tube
601	791850		CLAMP, Hose -(Green)
601A	691038		CLAMP, Hose -(Black)
628A	806660		SCREW -(Fuel Pump Bracket)
633	690738		SEAL, Choke/Throttle Shaft -(Choke Shaft)
637	690735		WASHER -(Throttle Shaft)
643	692079		RETAINER, Air Filter -Used Before Code Date 10010700
729	690586		CLIP, Wire
742	805578		RETAINER, E Ring -(Choke Shaft)
788	691559		BRACKET, Fuel Pump
789B	844914		HARNESS, Wiring -(Fuel Solenoid)
807	690733		SPACER -(Throttle)
875C	844929		BASE, Air Cleaner -Used After Code Date 10010600
918	791880		HOSE, Vacuum -(Cut To Required Length)
947	844911		SOLENOID, Fuel -Used After Code Date 10010600
947A	806472		SOLENOID, Fuel -Used Before Code Date 10010700
950	844916		SCREW -(Float Bowl) -Used After Code Date 10010600



Carburetor, Fuel Pump, Fuel Filter, Fuel Hose

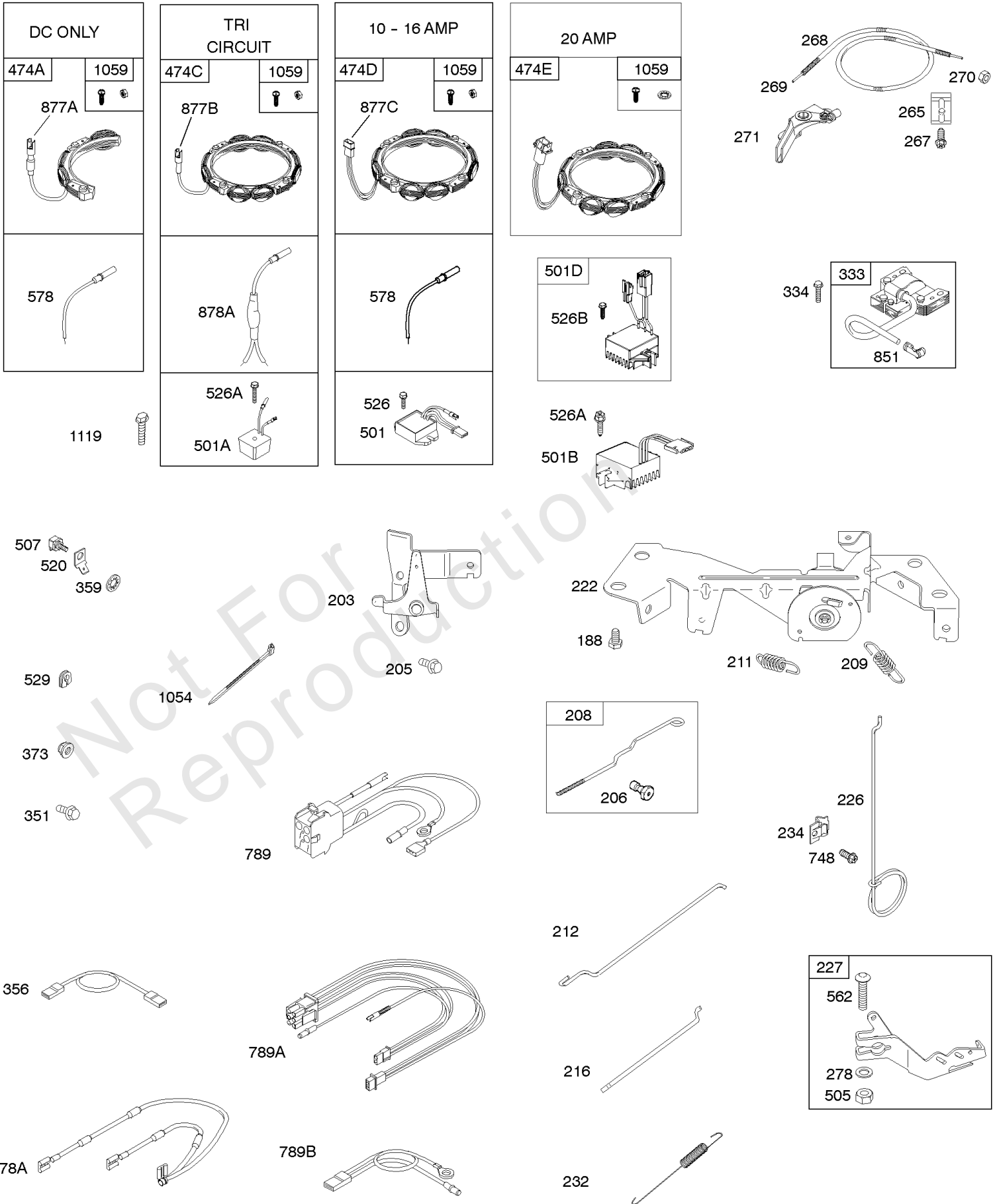
REF NO	PART NO	QTY	DESCRIPTION
955	691511		PLUG, Carburetor -Used Before Code Date 10010700
964	590799		CAP, Connector
964A	809640		CAP, Connector
975	844909		BOWL, Float -Used After Code Date 10010600
975A	807715		BOWL, Float -Used Before Code Date 10010700
987	691548		SEAL, Choke/Throttle Shaft
996A	844930		SHIELD, Carburetor
1051	690736		RING, Retaining -(Throttle Shaft)
1091	691515		CAP, Limiter

Not For Reproduction



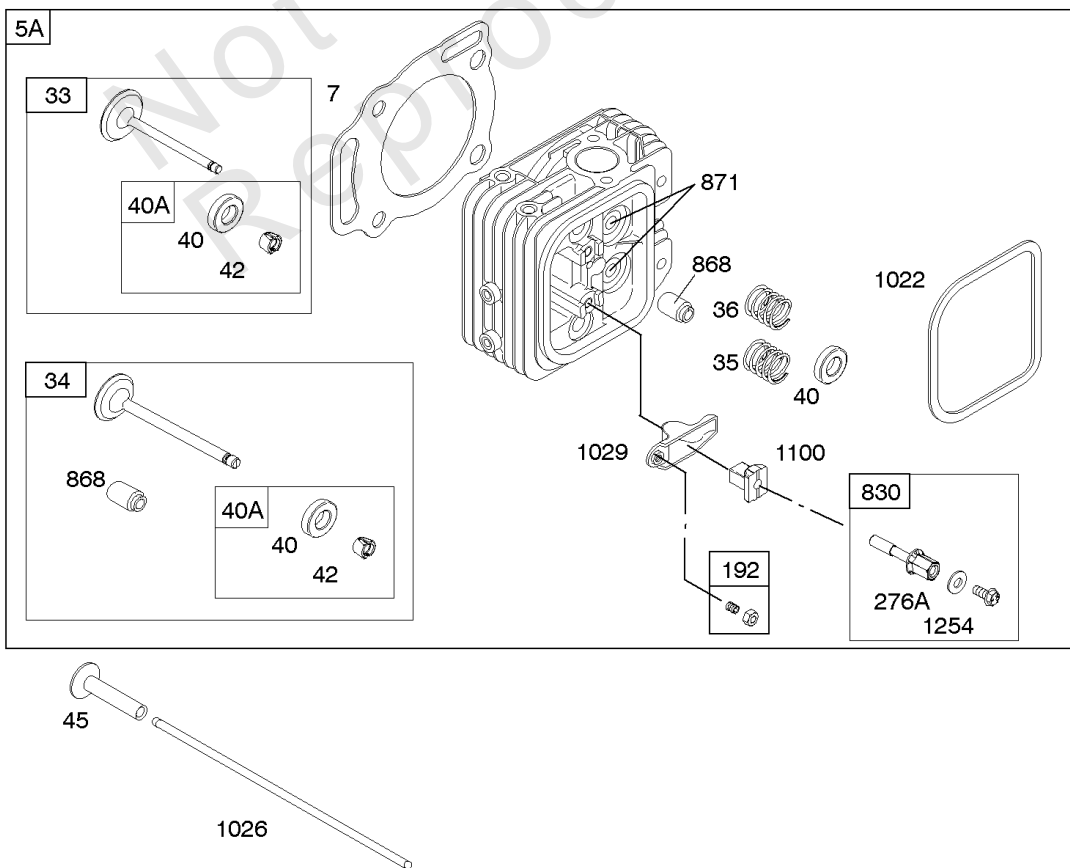
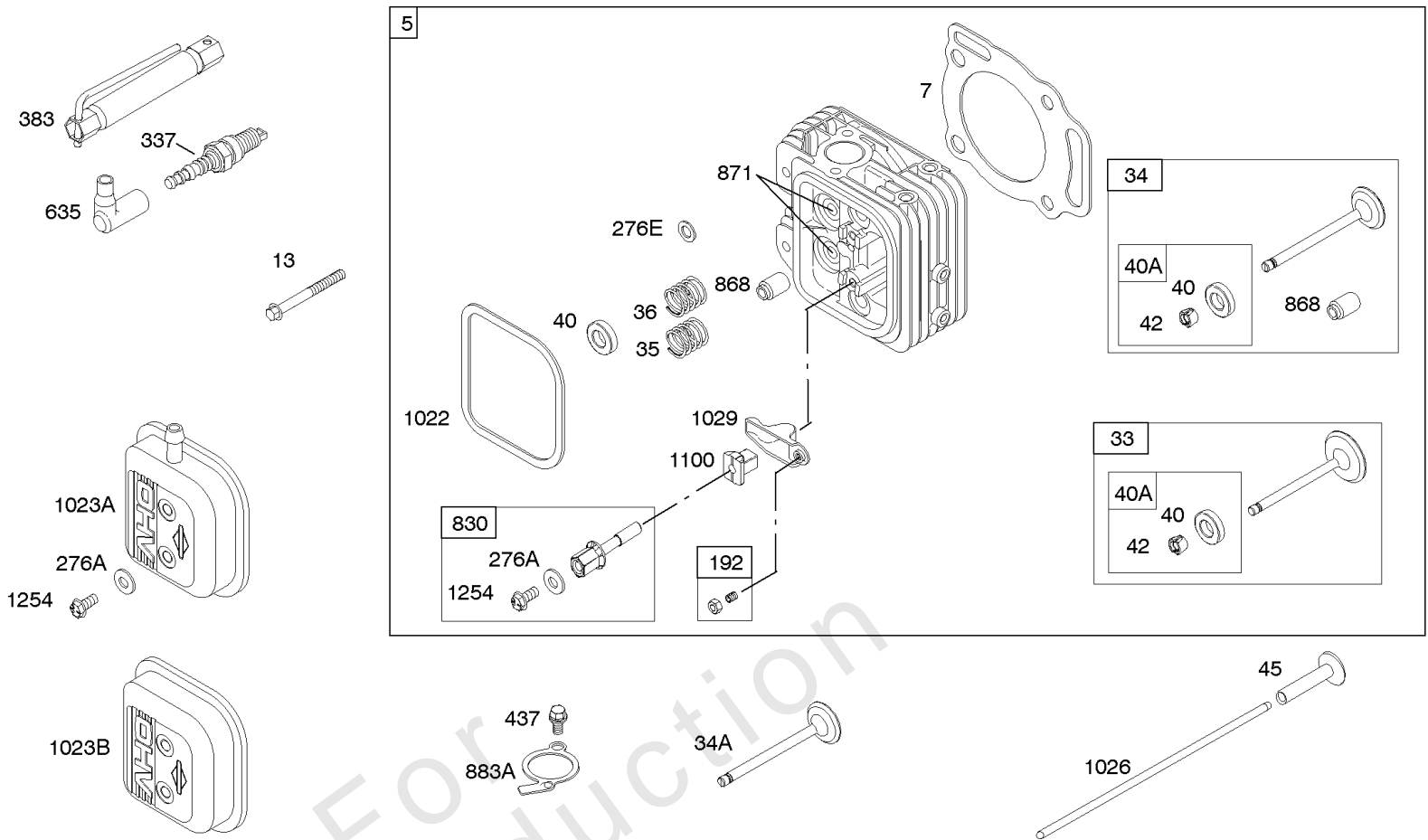
Controls, Wires, Springs, Alternators, Ignition

REF NO	PART NO	QTY	DESCRIPTION
10	690751		SCREW -(Breather Assembly)
20	805049S		SEAL, Oil -(PTO Side)
188	692062		SCREW -(Control Bracket)
203	690923		CRANK, Bell
205	841552		SCREW -(Bell Crank) (M5x20mm)
205	692083		SCREW -(Bell Crank) (M5x12mm)
206	691244		NUT, Governor Adjusting
208	808453		ROD, Governor Control
209	690710		SPRING, Governor -(No Color)
211	692069		SPRING, Governed Idle -(Red)
212	847015		LINK, Throttle
216	690705		LINK, Choke
222	845305		BRACKET, Control
226	692075		ROD, Choke
227	690236		LEVER, Governor Control
232	692073		SPRING, Governor Link
234	691723		CLIP, Control Rod
265	691024		CLAMP, Casing
267	692083		SCREW -(Casing Clamp) (M5x12mm)
267	841552		SCREW -(Casing Clamp) (M5x20mm)
268	691025		CASING, Control Wire -(Cut To Required Length)
269	691026		WIRE, Control -(Cut To Required Length)
270	691027		NUT -(Control Wire Casing)
271	691028		LEVER, Control
278	842122		WASHER -(Governor Control Lever)
333	845606		ARMATURE, Magneto
334	692066		SCREW -(Magneto Armature)
351	692083		SCREW -(Ground Terminal)
359	691077		WASHER -(Ground Terminal)
373	691612		NUT -(Ground Terminal)
474D	592830		ALTERNATOR
501	845907		REGULATOR
505	690238		NUT -(Governor Lever)
507	691972		INSULATOR
520	691084		TERMINAL, Ground
526	692067		SCREW -(Regulator) (M6x12mm)
526A	690717		SCREW -(Regulator) (M6x30mm)



Controls, Wires, Springs, Alternators, Ignition

REF NO	PART NO	QTY	DESCRIPTION
526B	691547		SCREW -(Regulator) (M6x28mm)
529	690744		GROMMET
562	690239		BOLT -(Governor Control Lever)
578	692306		WIRE ASSEMBLY
578A	844547		HARNESS, Wiring
748	692083		SCREW -(Control Rod Clip)
789	698332		HARNESS, Wiring
789A	695050		HARNESS, Wiring
789B	844914		HARNESS, Wiring -(Fuel Solenoid)
851	493880S		TERMINAL-SPARK PLUG
877A	393814		WIRE/CONNECTOR, Alternator -(10 Amp Regulated)
877B	399916		WIRE/CONN-ALTERNATOR
877C	393456		WIRE/CONNECTOR, Alternator
878A	398661		HARNESS, Wiring
1054	280275		TIE, Cable
1059	698516		KIT, Screw/Washer -(Alternator)
1119	691552		SCREW -(Alternator)

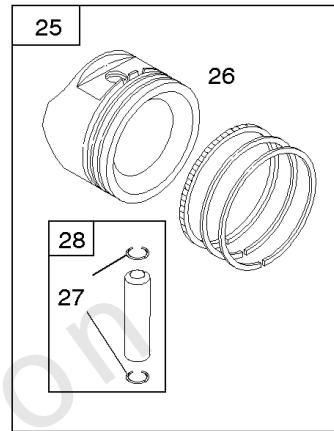
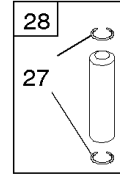
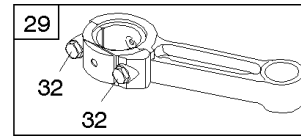
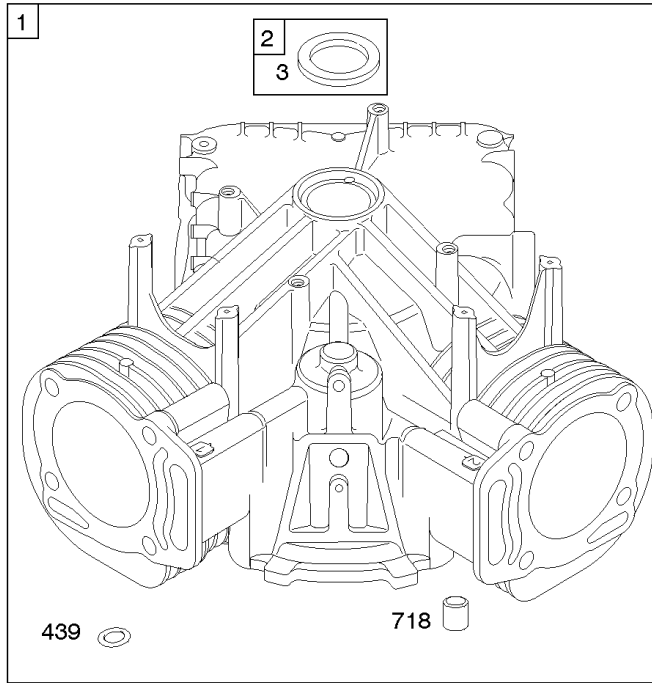


Cylinder Heads, Rocker Covers, Spark Plug

REF NO	PART NO	QTY	DESCRIPTION
5	809200		HEAD, Cylinder -(Cylinder 1)
5A	809201		HEAD, Cylinder -(Cylinder 2)
7	806085S		GASKET, Cylinder Head
13	692059		SCREW -(Cylinder Head)
33	807681		VALVE, Exhaust
34	843751		VALVE, Intake -Used After Code Date 12021300
34A	807680		VALVE, Intake -Used Before Code Date 12021400
35	692084		SPRING, Valve -(Intake)
36	692084		SPRING, Valve -(Exhaust)
40	692058		RETAINER, Valve
40A	844895		RETAINER, Valve
42	807683		KEEPER, Valve
45	843379		TAPPET, Valve
192	807623		ADJUSTER, Rocker Arm
276A	807085		WASHER, Sealing -(Rocker Cover)
276E	691766		WASHER, Sealing
337	792015		PLUG, Spark -(Resistor EMS)
383	19576S		WRENCH, Spark Plug
437	691902		SCREW -(Exhaust Manifold) (M8x20mm)
635	692076		BOOT, Spark Plug
830	809157		STUD, Rocker Arm -(Rocker Arm)
868	691963		SEAL, Valve
871	692057		BUSHING, Valve Guide
883A	691613		GASKET, Exhaust
1022	806039S		GASKET, Rocker Cover
1023A	691558		COVER, Rocker
1023B	691494		COVER, Rocker
1026	691758		ROD, Push -(Exhaust)(Aluminum)
1026	691836		ROD, Push -(Intake)(Steel)
1029	807323		ARM, Rocker
1100	791959		PIVOT, Rocker Arm
1254	807084		SCREW -(Rocker Arm Stud)

Cylinder, Crankshaft, Piston/Rings/Connecting Rod, Engine Sump, Camshaft, Breather

Mfg. No: 305772-0001-B1



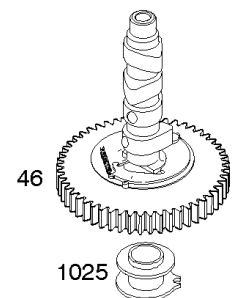
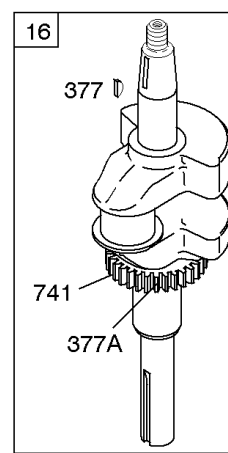
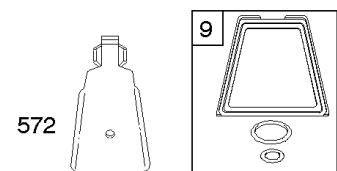
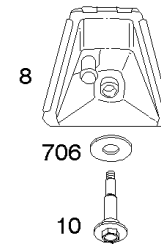
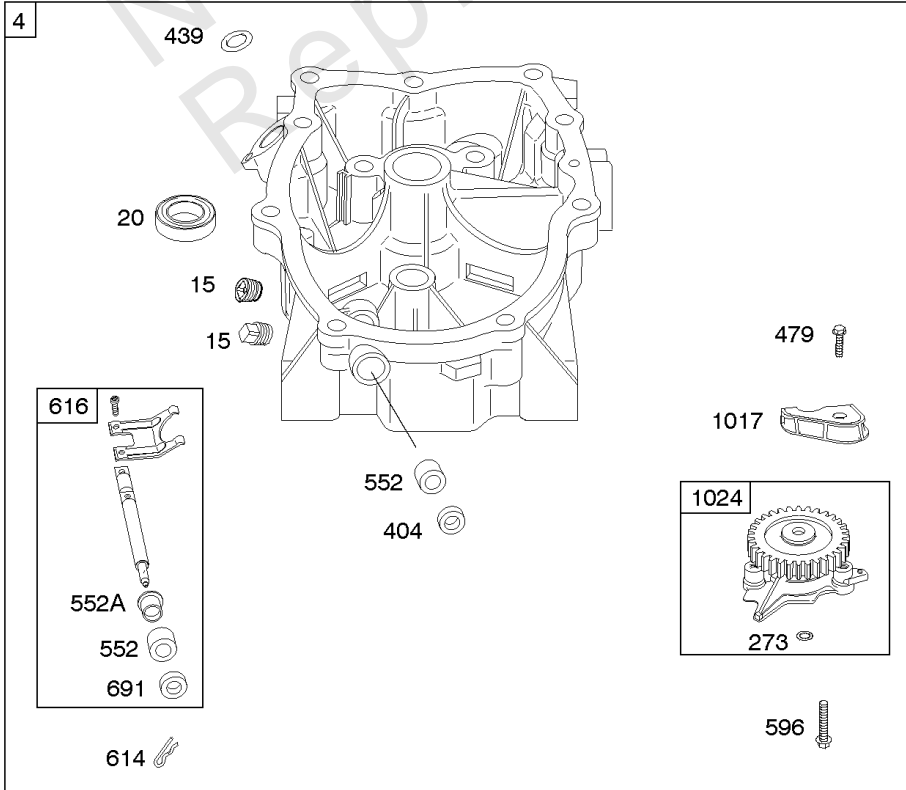
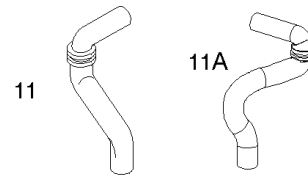
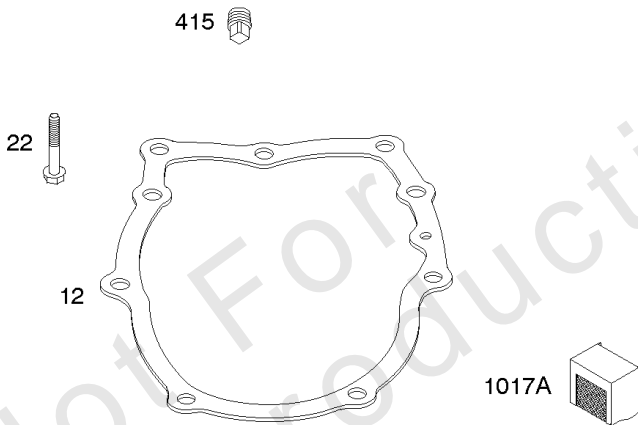
1036 EMISSIONS LABEL

1330 REPAIR MANUAL

1319 WARNING LABEL

WARNING	
	Read and follow Operating Instructions before running engine.
	Gasoline is flammable. Allow engine to cool at least 2 minutes before refueling.
	Engines emit carbon monoxide, DO NOT run in enclosed area.
	Muffler area temperature may exceed 150°F. Do not touch hot parts.

REQUIRED when replacing parts with warning labels affixed.

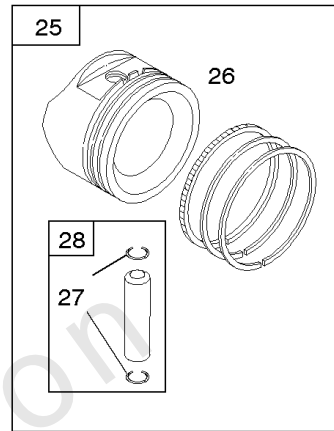
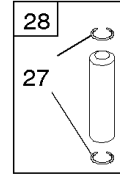
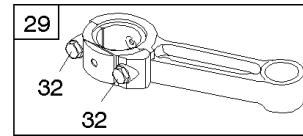
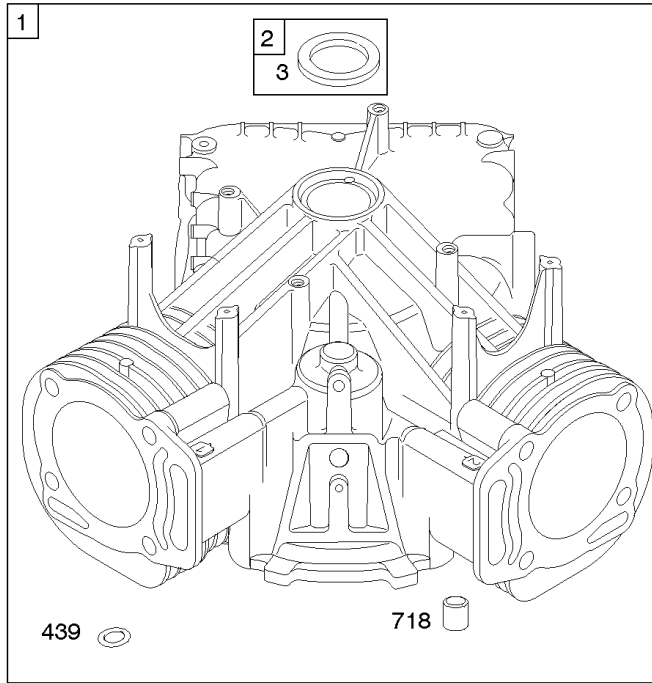


Cylinder, Crankshaft, Piston/Rings/Connecting Rod, Engine Sump, Camshaft, Breather

REF NO	PART NO	QTY	DESCRIPTION
1	692543		CYLINDER ASSY
2	808534		KIT, Bushing/Seal -(Magneto Side)
3	805101S		SEAL, Oil -(Magneto Side)
4	843954		SUMP, Engine
8	808988		BREATHER ASSEMBLY
9	844986		GASKET, Breather
10	690751		SCREW -(Breather Assembly)
11	806083S		TUBE, Breather -Used Before Code Date 10010700
11A	844921		TUBE, Breather -Used After Code Date 10010600
12	846487		GASKET, Crankcase
15	691680		PLUG, Oil Drain -(3/8"-18 NPTF - Internal 3/8" Sq)
15	690946		PLUG, Oil Drain -(3/8"-18 NPTF-External 7/16" Sq)
16	692159		CRANKSHAFT
20	805049S		SEAL, Oil -(PTO Side)
22	807362		SCREW -(Crankcase Cover/Sump)
25	843958		PISTON ASSEMBLY -(.020 Oversize)
25	843951		PISTON ASSEMBLY -(Standard)
26	843957		SET, Ring -(.020 Oversize)
26	843953		SET, Ring -(Standard)
27	690683		LOCK, Piston Pin
28	844541		PIN, Piston -(2.118) -Used After Code Date 07122300
28	807621		PIN, Piston -Used Before Code Date 07122400
29	807900S		ROD, Connecting
32	690698		SCREW -(Connecting Rod)
46	845649		CAMSHAFT
273	690681		SEAL, O-Ring -(Oil Pump)
357	691483		KEY, Drive Pulley
377	808095		KEY, Flywheel
377A	691639		KEY, Woodruff
404	690704		WASHER -(Governor Crank) (Governor Shaft)
415	794903		PLUG
439	692154		O-RING, Oil Gallery -(Crankcase Cover/Sump or Cylinder Assembly)
479	843961		SCREW -(Oil Pump Screen)
552	690701		BUSHING, Governor Crank
552A	806686		BUSHING, Governor Crank
572	690686		BAFFLE, Breather

Cylinder, Crankshaft, Piston/Rings/Connecting Rod, Engine Sump, Camshaft, Breather

Mfg. No: 305772-0001-B1



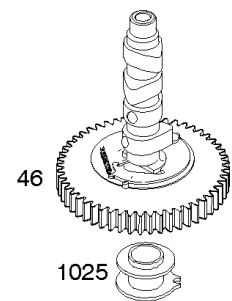
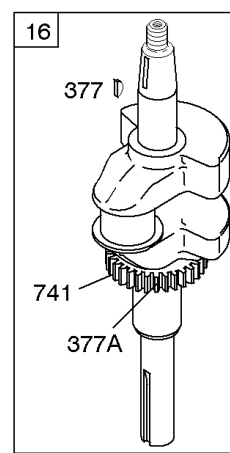
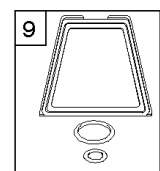
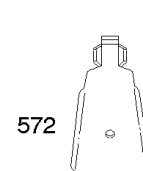
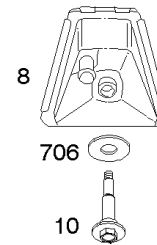
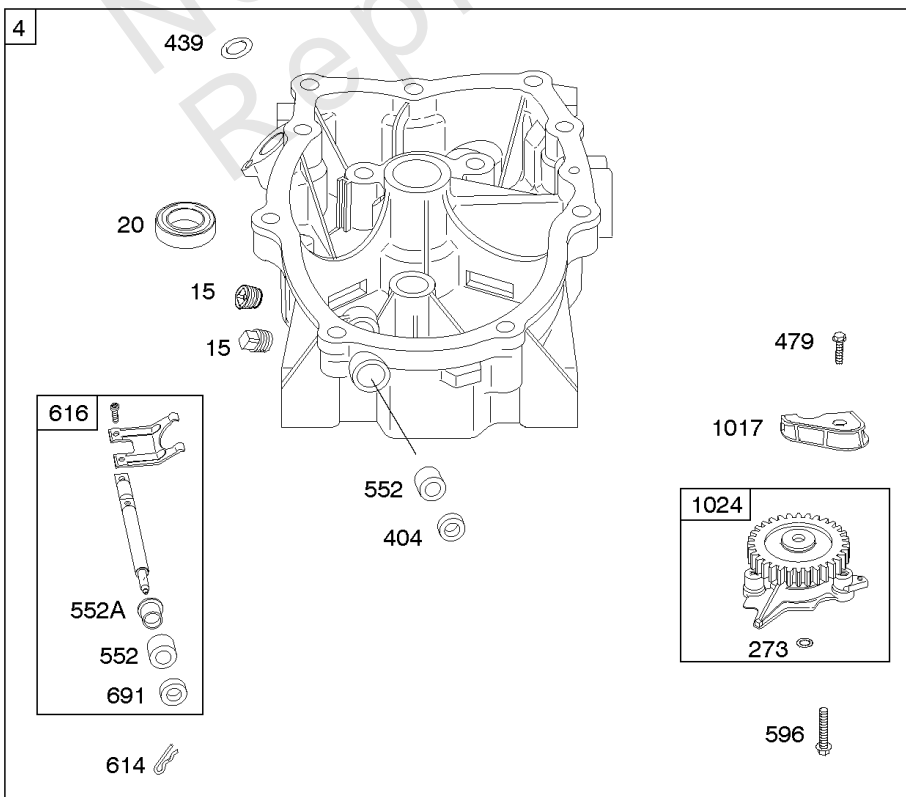
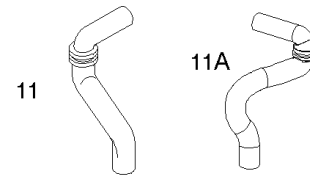
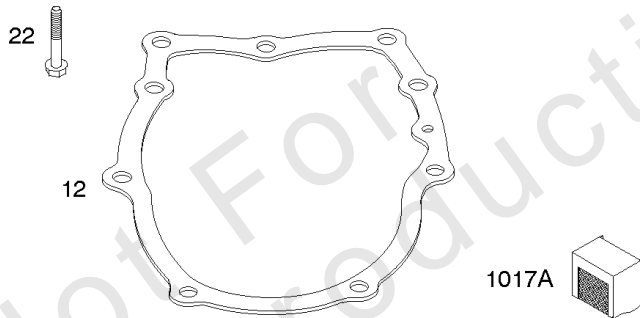
1036 EMISSIONS LABEL

1330 REPAIR MANUAL

1319 WARNING LABEL

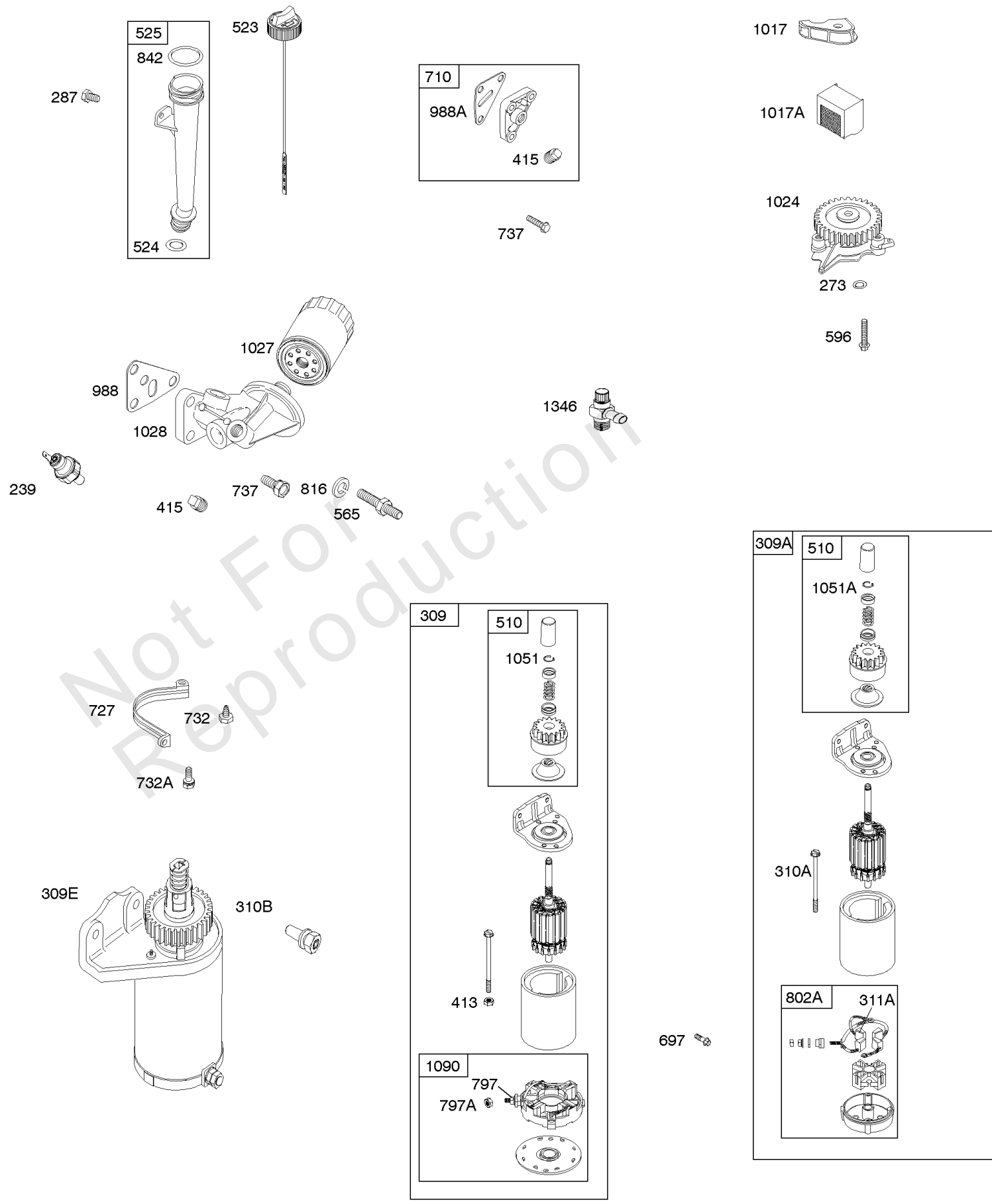
WARNING	
	Read and follow Operating Instructions before running engine.
	Gasoline is flammable. Allow engine to cool at least 2 minutes before refueling.
	Engines emit carbon monoxide, DO NOT run in enclosed area.
	Muffler area temperature may exceed 150°F. Do not touch hot parts.

REQUIRED when replacing parts with warning labels affixed.



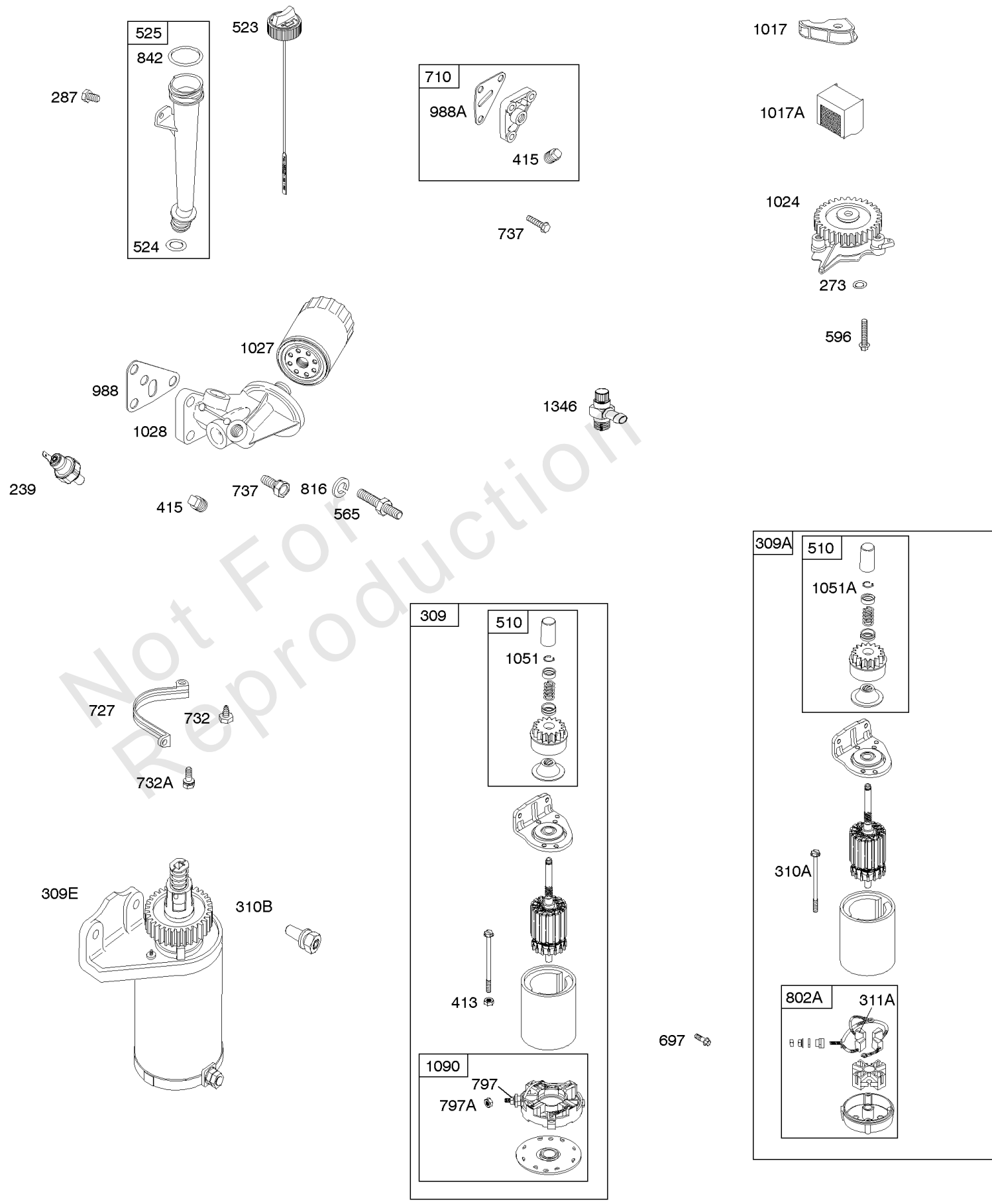
Cylinder, Crankshaft, Piston/Rings/Connecting Rod, Engine Sump, Camshaft, Breather

REF NO	PART NO	QTY	DESCRIPTION
596	691492		SCREW -(Oil Pump) (M6x30mm) -Used Before Code Date 08022700
596	807389		SCREW -(Oil Pump) (M6x45mm) -Used After Code Date 08022600
614	691550		PIN, Cotter
616	806685		CRANK, Governor
691	842826		SEAL, Governor Shaft
706	805484		WASHER -(Breather Assembly)
718	806469		PIN, Locating
741	846085		GEAR, Timing
1017	843960		SCREEN, Oil Pump -Used After Code Date 08022600
1017A	690878		SCREEN, Oil Pump -Used Before Code Date 08022700
1024	-----		Pump-Oil -(NO LONGER AVAILABLE) -Used Before Code Date 08022700
1024	843959		PUMP, Oil -Used After Code Date 08022600
1025	690689		SPOOL, Governor
1036	-----		LABEL, Emissions -(Available From A Briggs & Stratton Authorized Dealer)
1319	794467		LABEL, Warning
1330	272144		MANUAL, Repair



Lubrication, Oil Fill, Electric Starter

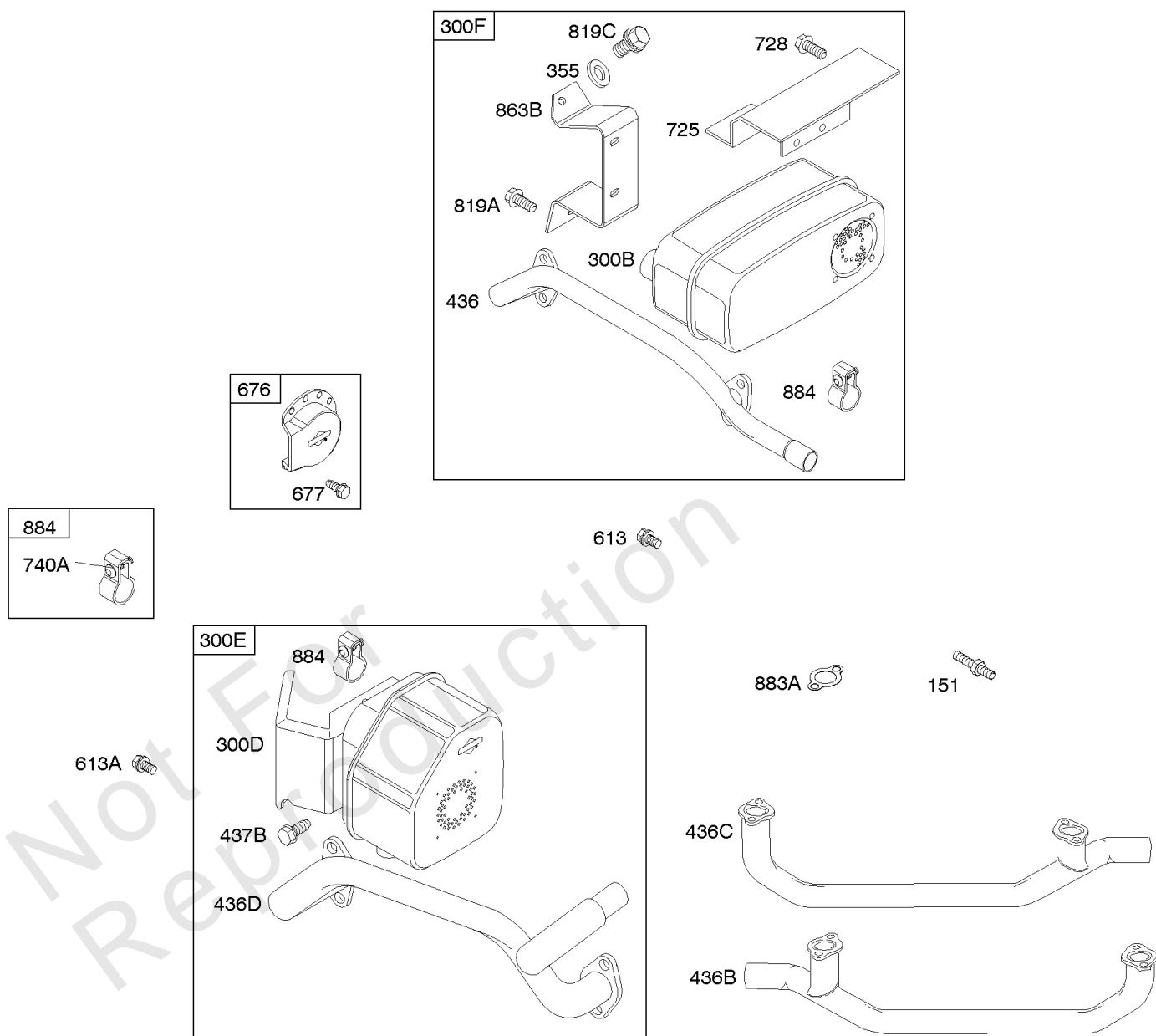
REF NO	PART NO	QTY	DESCRIPTION
239	690233		SWITCH, Oil Pressure
273	690681		SEAL, O-Ring -(Oil Pump)
287	807084		SCREW -(Dipstick Tube)
309A	-----		Motor-Starter -(No Longer Available)(For Replacement, Order Replacement 309E)
309E	844717		MOTOR, Starter
310A	690323		SCREW -(Starter Motor) (#10-24x4.4" Long)
310B	691902		SCREW -(Starter Motor) (M8x20mm)
311A	497608		SET, Brush
413	693587		NUT -(Starter Motor)
415	794903		PLUG
510	496881		DRIVE, Starter -(Steel Pinion Gear)
523	692101		DIPSTICK
524	692053		SEAL, O-Ring -(Dipstick Tube)
525	692093		TUBE, Dipstick
565	690682		STUD -(Oil Filter Adapter)
596	691492		SCREW -(Oil Pump) (M6x30mm) -Used Before Code Date 08022700
596	807389		SCREW -(Oil Pump) (M6x45mm) -Used After Code Date 08022600
697	692062		SCREW -(Starter Motor) (Drive Cap)
710	807689		COVER, Oil Filter
727	841313		COVER, Starter Drive
732	690688		SCREW -(Starter Drive Cover) (Self Threading) (8mm)
732A	841233		SCREW -(Starter Drive Cover) (M6x10mm)
737	690679		SCREW -(Oil Filter Adapter) (M6x21mm)
797	693167		NUT -(Brush Retainer) (Serrated)
797A	691029		NUT -(Brush Retainer)
802A	691286		CAP, End
816	690706		WASHER -(Oil Filter Adapter)
842	691870		SEAL, O-Ring -(Dipstick Tube)
988	692063		GASKET, Oil Adapter
988A	690687		GASKET, Oil Adapter
1017	843960		SCREEN, Oil Pump -Used After Code Date 08022600
1017A	690878		SCREEN, Oil Pump -Used Before Code Date 08022700
1024	843959		PUMP, Oil -Used After Code Date 08022600
1024	-----		Pump-Oil -(NO LONGER AVAILABLE) -Used Before Code Date 08022700



Lubrication, Oil Fill, Electric Starter

REF NO	PART NO	QTY	DESCRIPTION
1027	842921		FILTER, Oil
1028	808235		ADAPTER, Oil Filter
1051	690736		RING, Retaining -(Throttle Shaft)
1051A	691124		RING, Retaining -(Starter Drive)
1090	496813		RETAINER, Brush
1346	492031		VALVE, Oil Drain Shut Off

Not For Reproduction



Muffler, Exhaust Manifold

REF NO	PART NO	QTY	DESCRIPTION
151	841185		STUD -(Exhaust Manifold) (M8 Stud)
300B	498984S		MUFFLER
300F	807752		MUFFLER
300D	807953		MUFFLER
300E	807969		MUFFLER
355	842122		WASHER -(Muffler Bracket)
436	805609		MANIFOLD, Exhaust
437B	692062		SCREW -(Exhaust Manifold) (M8x18mm)
613	690297		SCREW -(Muffler) (1/4-20 x 0.62)
613A	691902		SCREW -(Muffler) (M8x20mm)
676	795036		DEFLECTOR, Muffler
677	690661		SCREW -(Muffler Deflector) (#8-18 x 0.375 lg)
725	806102		SHIELD, Heat
728	690297		SCREW -(Heat Shield)
740A	793859		NUT -(Muffler Bracket)
819A	692056		SCREW -(Muffler Bracket) (M6x14mm)
819C	807084		SCREW -(Muffler Bracket) (M8x14mm)
863B	806759		BRACKET, Muffler
883A	691613		GASKET, Exhaust
884	691956		CLAMP, Muffler

Replacement Engine - Europe, Middle East & Africa

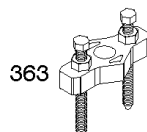
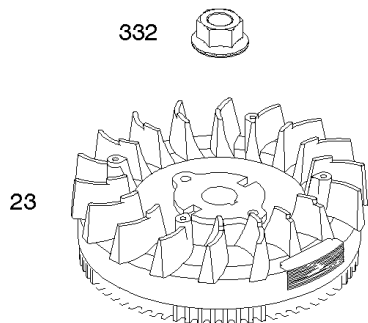
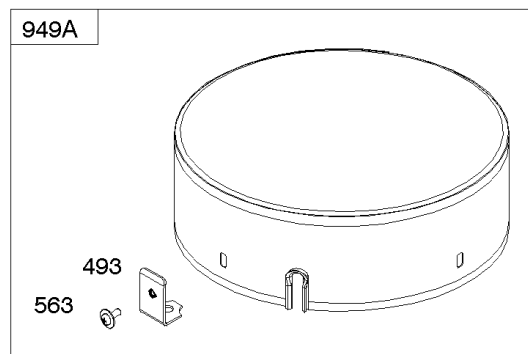
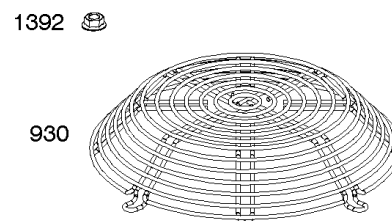
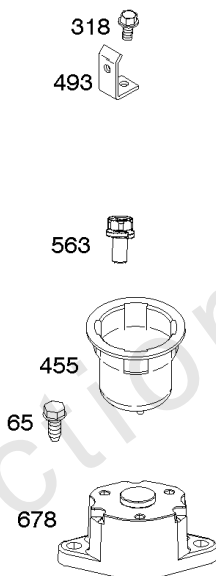
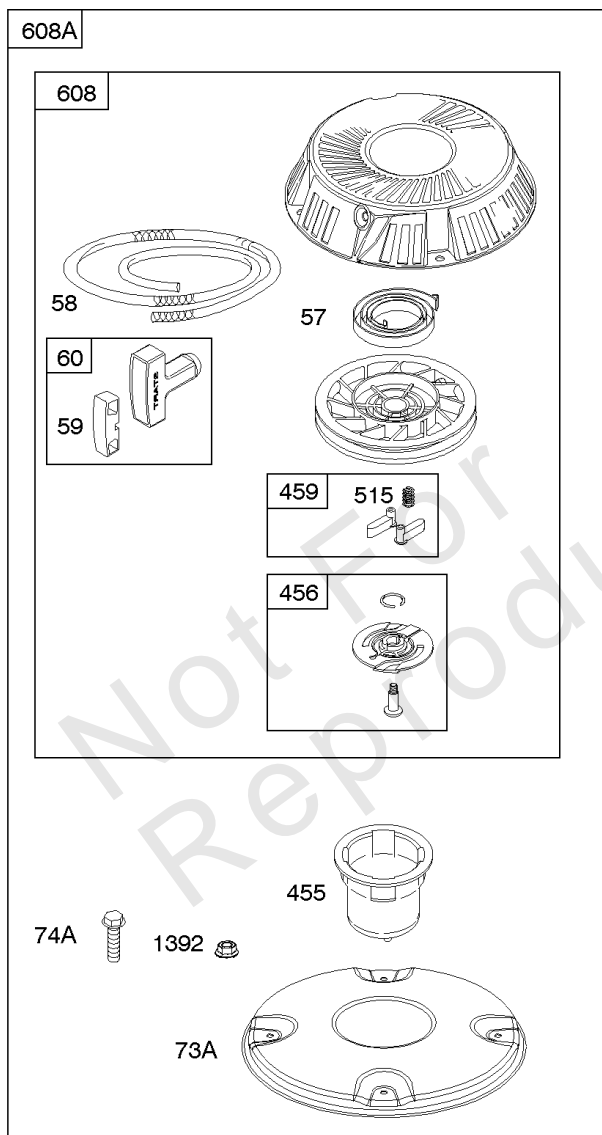
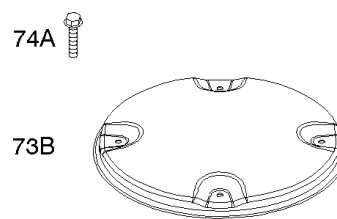
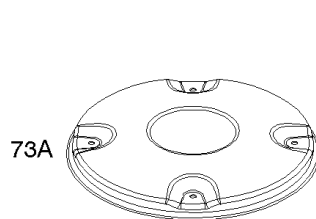
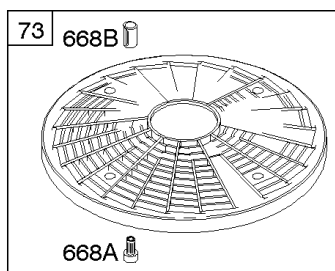
REF NO	PART NO	QTY	DESCRIPTION
	3057770162B5U0001		Replacement Engine
	-----		Top No-Load Speed: 3600
	-----		Service Note: ELECTRIC START
	-----		Service Note: 16A REGULATED ALTERNATOR

Not For Reproduction

Replacement Engine - US & Canada

REF NO	PART NO	QTY	DESCRIPTION
--------	---------	-----	-------------

Not For Reproduction



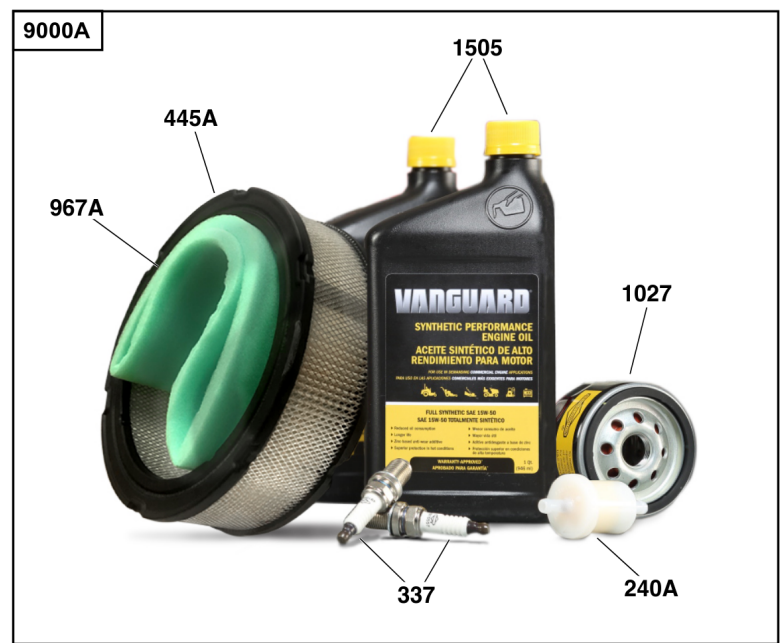
Rewind Starter, Flywheel, Rotating/Debris Screen

REF NO	PART NO	QTY	DESCRIPTION
23	841908		FLYWHEEL
57	692086		SPRING, Rewind Starter
58	66574		ROPE, Starter -(Cut To Required Length)
59	805957		INSERT, Grip
60	808167		GRIP, Starter Rope
65	691982		SCREW -(Rewind Starter) (M6x8mm)
65A	841441		SCREW -(Rewind Starter) (M5x14mm)
73	494439		SCREEN, Rotating
73A	841662		SCREEN, Rotating
73B	841440		SCREEN, Rotating
74A	841441		SCREW -(Rotating Screen)
318	841233		SCREW -(Mounting Bracket)
332	690887		NUT -(Flywheel)
363	19203		PULLER, Flywheel
455	841794		CUP, Flywheel
456	845219		PLATE, Pawl Friction
459	845218		PAWL, Ratchet
493	845729		BRACKET, Mounting
515	691528		SPRING, Pawl
563	841735		SCREW -(Debris Screen Guard)
592	690939		NUT -(Rewind Starter)
608	841729		STARTER, Rewind
608A	844821		STARTER, Rewind
668A	691500		SPACER
668B	691215		SPACER
678	841730		SPACER -(Rewind)
930	846284		GUARD, Flywheel Fan
949A	845728		GUARD, Debris Screen
1392	690939		NUT -(Rewind Guard)



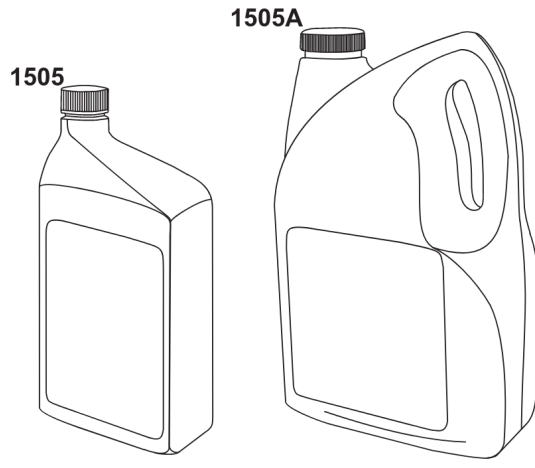
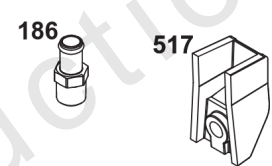
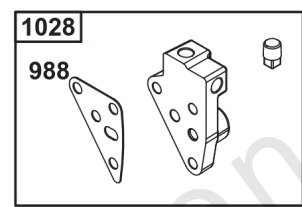
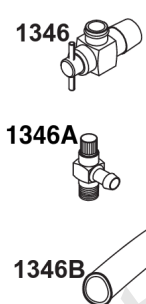
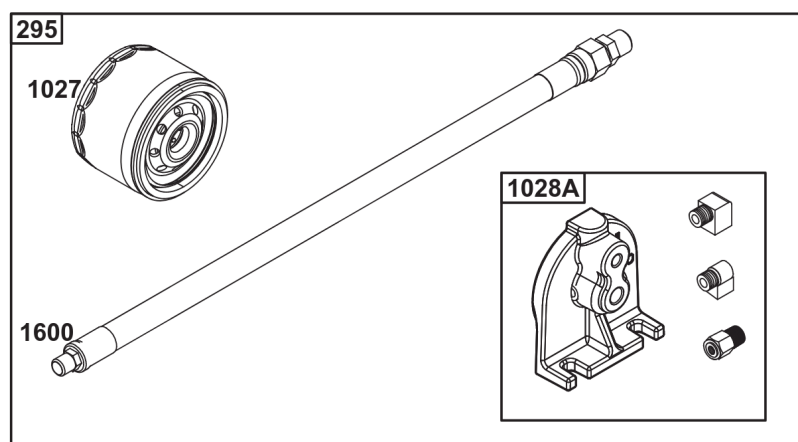
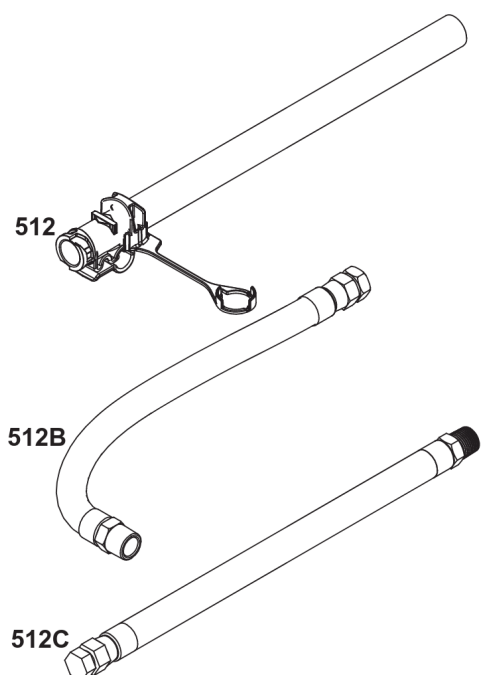
Model 29, 30, 35 & 38 Engine Accessories Catalog

Not For
Reproduction



Maintenance Kits

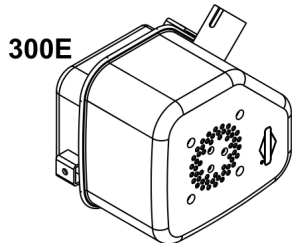
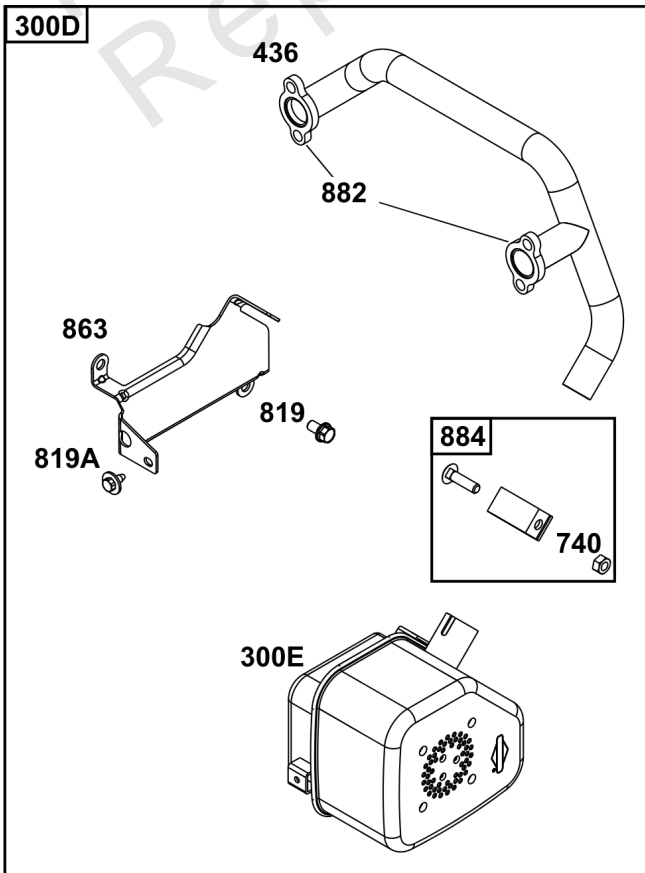
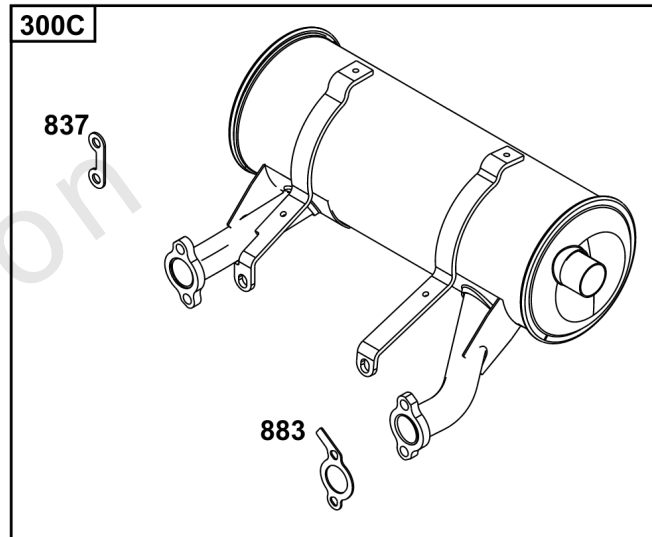
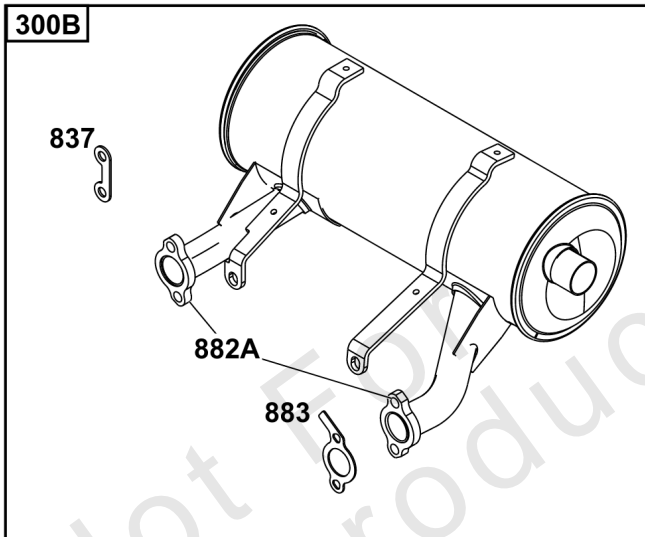
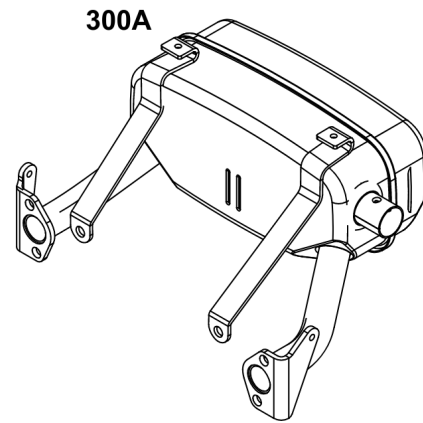
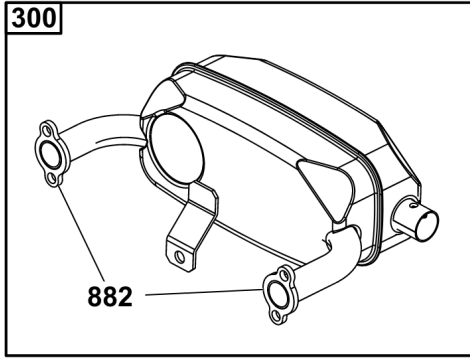
REF NO	PART NO	QTY	DESCRIPTION
9000	84004936		KIT, Maintenance -(Non-Oil Guard™ Engines) (20 - 23 HP)
9000A	84004937		KIT, Maintenance -(Non-Oil Guard™ Engines) (12.5 - 18 HP)
9000B	84002315		KIT, Maintenance -(Non-Oil Guard™ Engines)
240	845125	1	FILTER, Fuel
240A	84001895	1	FILTER, Fuel
337	491055S	2	PLUG, Spark
337	84007216	2	PLUG, SPARK -(China Only)
445	692519	1	FILTER, A/C Cartridge -"Professional / PXi" & "Commercial / CXi".
445A	394018S	1	FILTER, A/C Cartridge -"Professional / PXi" & "Commercial / CXi".
445B	841497	1	FILTER, A/C Cartridge -"Professional / PXi" & "Commercial / CXi".
967	692520	1	FILTER, Pre Cleaner
967A	272490S	1	FILTER, Pre Cleaner
1027	842921	1	FILTER, Oil -(Vanguard®)
1505	100169		OIL-1QT VANGUARD (CASE) -(1 qt. Bottle)



Not For
Reproduction

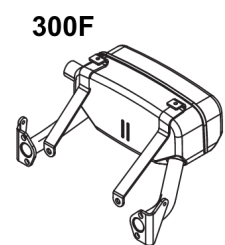
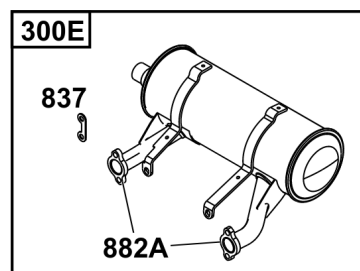
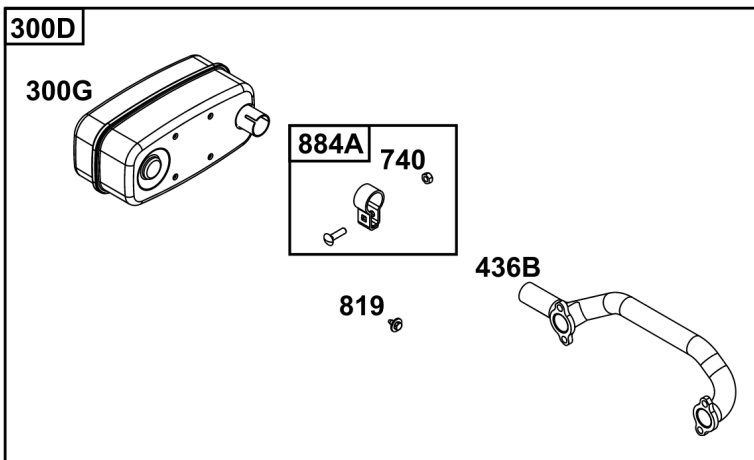
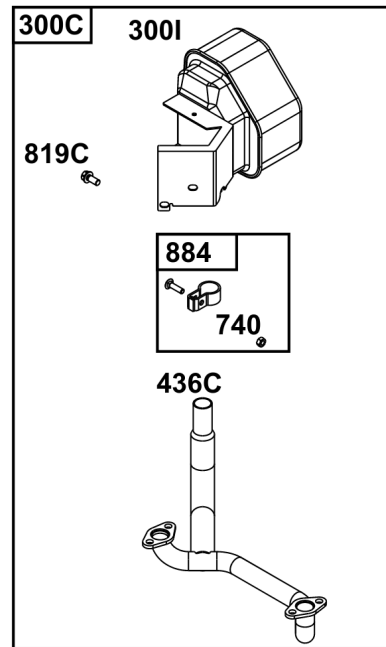
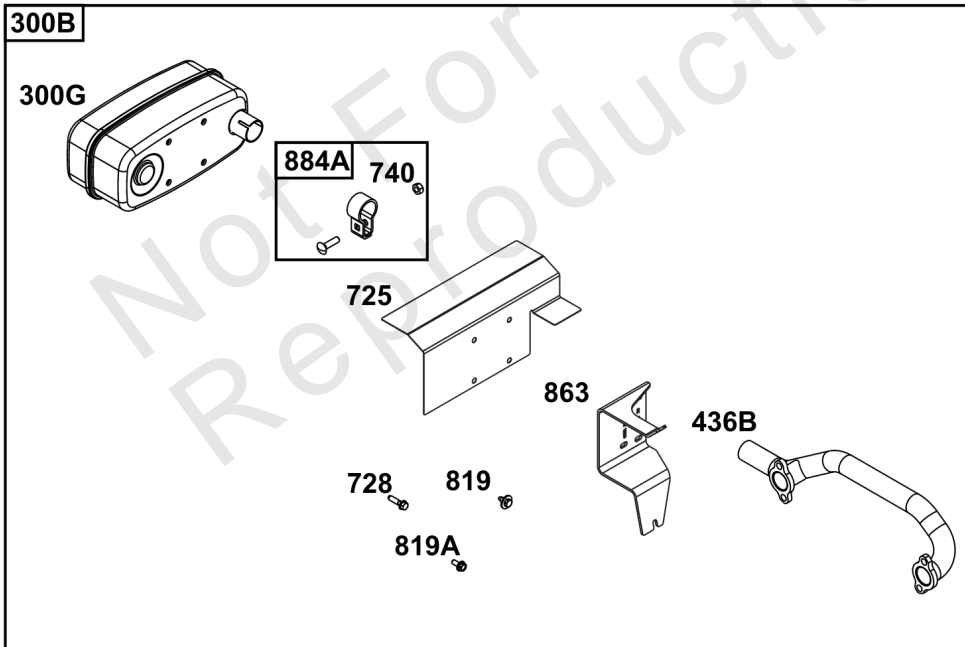
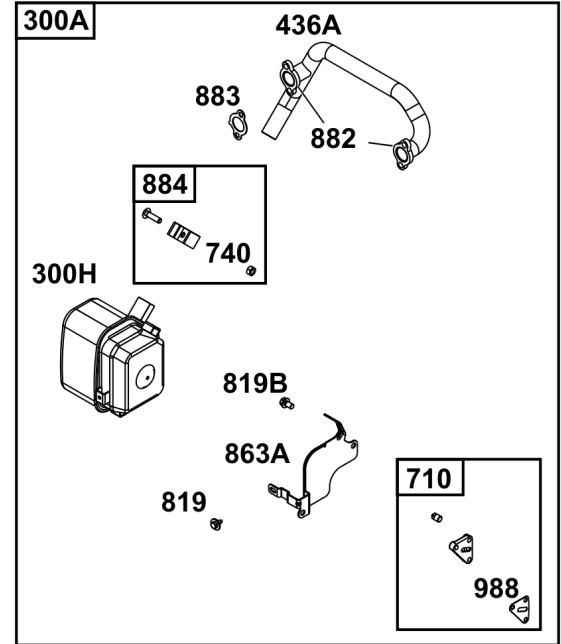
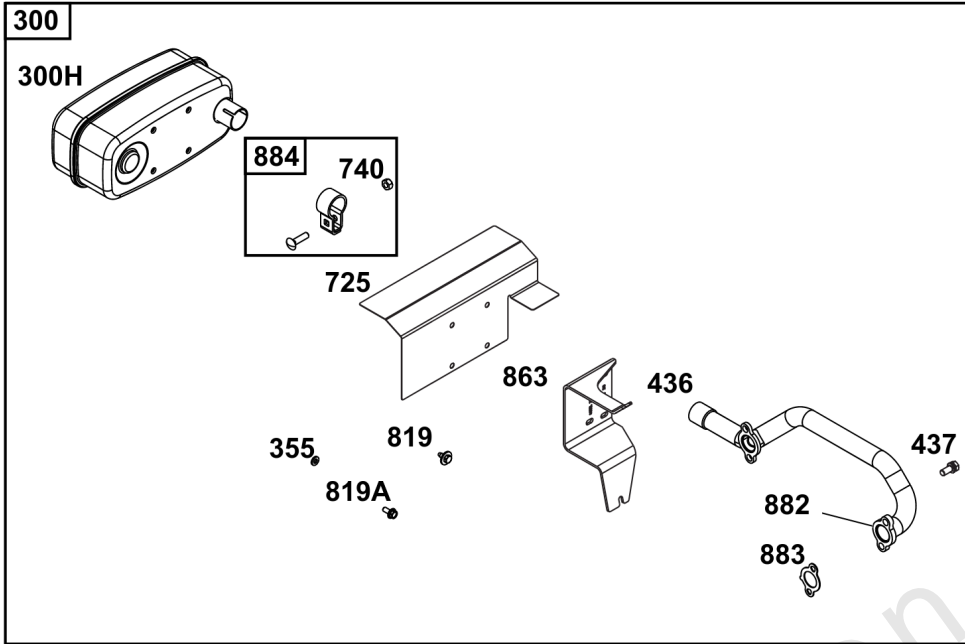
Lubrication

REF NO	PART NO	QTY	DESCRIPTION
186	796532	1	CONNECTOR, Hose -(Threaded Engine Block Connector for EZ-Oil Drain Hose)(Order hose separate)
239	690233	1	SWITCH, Oil Pressure -(2-4 PSI Normally-Closed Switch)
239A	491657S	1	SWITCH, Oil Pressure -(3-5 PSI Normally-Closed Switch)
239B	841281	1	SWITCH, Oil Pressure -(7-10 PSI Normally-Closed Switch)
239C	694115	1	SWITCH, Oil Pressure -(9-13 PSI Normally-Closed Switch)
239D	697049	1	SWITCH, Oil Pressure -(3-6 PSI Normally-Open Switch)
295	492061	1	ADAPTER, Remote Oil Filter -(Remote oil filter head with 18" (48 cm) hoses)
295	492062	1	ADAPTER, Remote Oil Filter -(Remote oil filter head with 30" (76 cm) hoses)
512	594200	1	HOSE, Oil Drain -(EZ-Oil Drain Hose, 10.5")(Order threaded engine block connector separate)
512	593635	1	HOSE, Oil Drain -(EZ-Oil Drain Hose, 13.75")(Order threaded engine block connector separate)
512B	1723165SM	1	HOSE, Oil Drain, 10-1/2" Long, 3/8-18 Fittings -(10.5")
512C	5048681SM	1	HOSE, OIL DRAIN -(12.5")
517	593633	1	RETAINER, Oil Drain
988	692063	1	GASKET, Oil Adapter
1027	492932S	1	FILTER, Oil
1028	492687	1	ADAPTER, Oil Filter -(Adapter Kit for mounting remote oil filter)
1028A	495244	1	ADAPTER-OIL FILTER -(Remote oil filter mounting head with fittings)
1346	844802	1	VALVE, Oil Drain Shut Off
1346A	492031	1	VALVE, Oil Drain Shut Off
1346B	5401WEB	1	VALVE, Oil Drain Shut Off -(1/4 Turn Oil Drain Valve with Hose)
1505	100169		OIL-1QT VANGUARD (CASE) -(1 qt. Bottle)
1505A	100170		OIL-5QT VANGUARD (CASE) -(5 qt. Bottle)
1600	494724	2	HOSE, Remote Oil Filter -(Hoses only (2) 18" (48 cm))
1600	494725	2	HOSE, Remote Oil Filter -(Hoses only (2) 30" (76 cm))



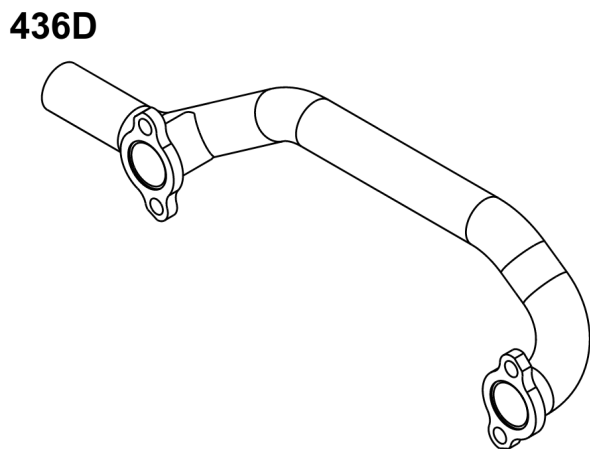
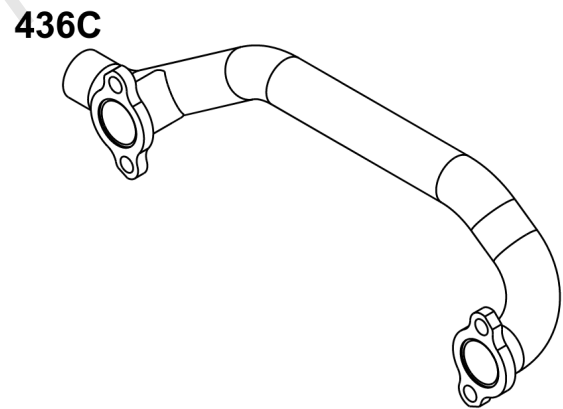
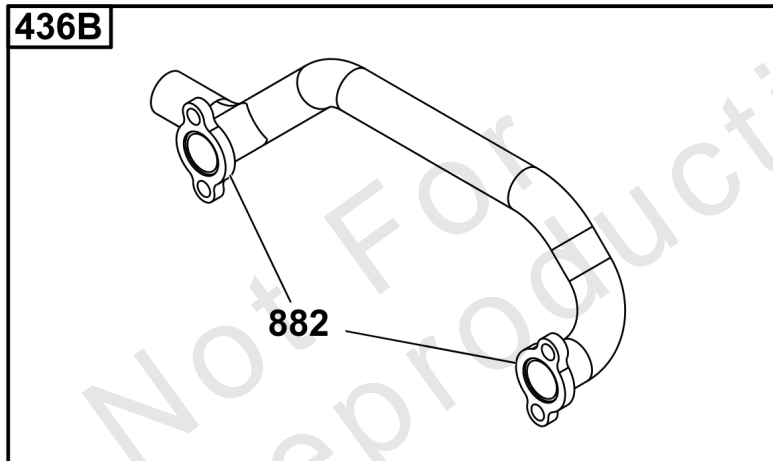
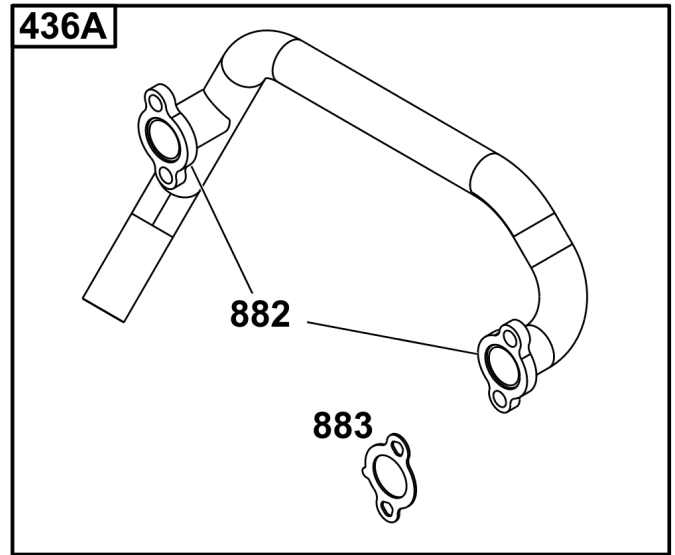
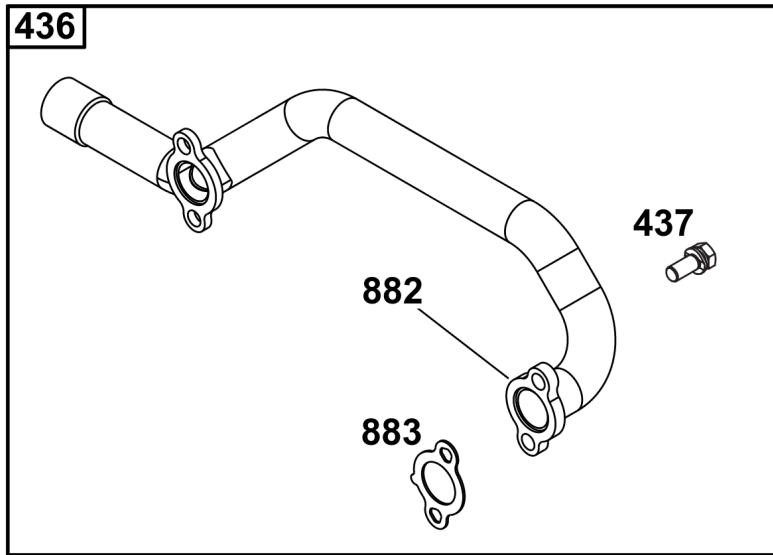
Starter Motor Side Outlet Mufflers

REF NO	PART NO	QTY	DESCRIPTION
300	690931	1	MUFFLER -(Super Lo-Tone) (Horizontal: 3054, 3564)
300A	690906	1	MUFFLER -(Super Lo-Tone) (Horizontal: 3054, 3564)
300B	808705	1	MUFFLER -(5" Round) (Horizontal: 3854, 3864)
300C	845873	1	MUFFLER -(5" Round, Stainless Steel) (Horizontal: 3854, 3864)
300D	995005	1	MUFFLER ASSY -(Lo-Tone) (Horizontal: 3054, 3564)
300E	692099	1	MUFFLER -(Lo Mount)
436	691499	1	MANIFOLD, Exhaust -(Cylinder 1) (Side Outlet)
740	793859	1	NUT
819	692056	2	SCREW -(Muffler Bracket) (M8x1.25)
819A	691514	2	SCREW -(Muffler Bracket) (M6 X 1.0)
837	808085	2	SPACER, Muffler -(Includes 2)
863	690756	1	BRACKET, Muffler -(Cylinder 1) (Side Outlet)
882	692074	2	FLANGE, Exhaust
882A	806965	2	FLANGE, Exhaust
883	806425	2	GASKET, Exhaust
884	690898	1	CLAMP, Muffler



Oil Filter Side Outlet Mufflers

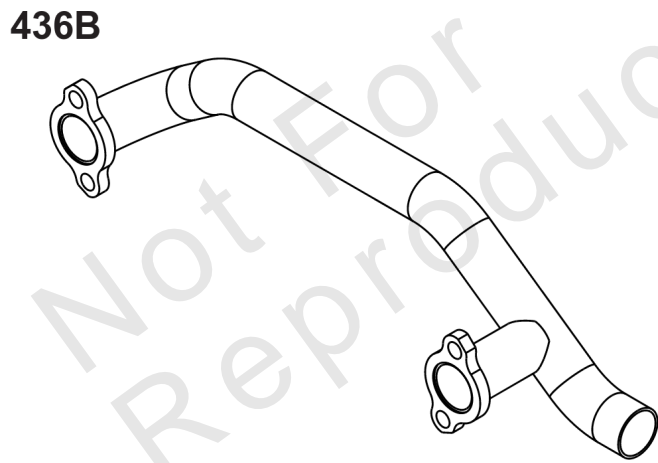
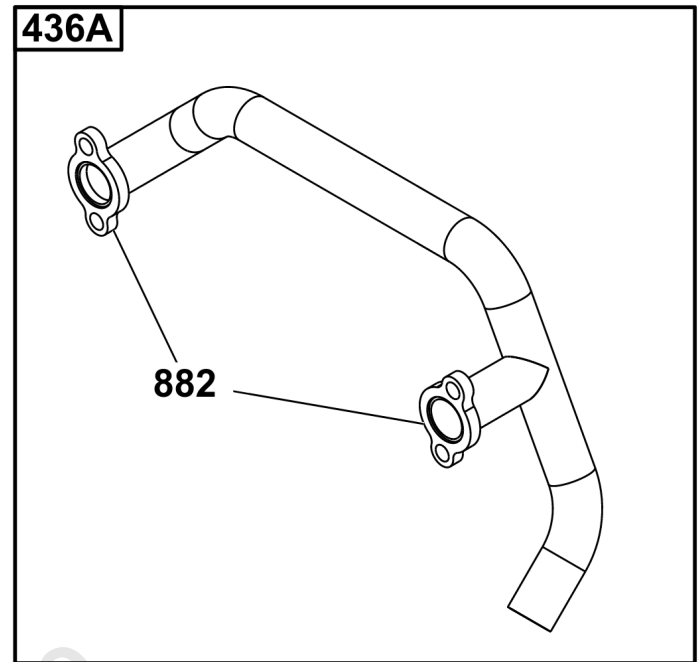
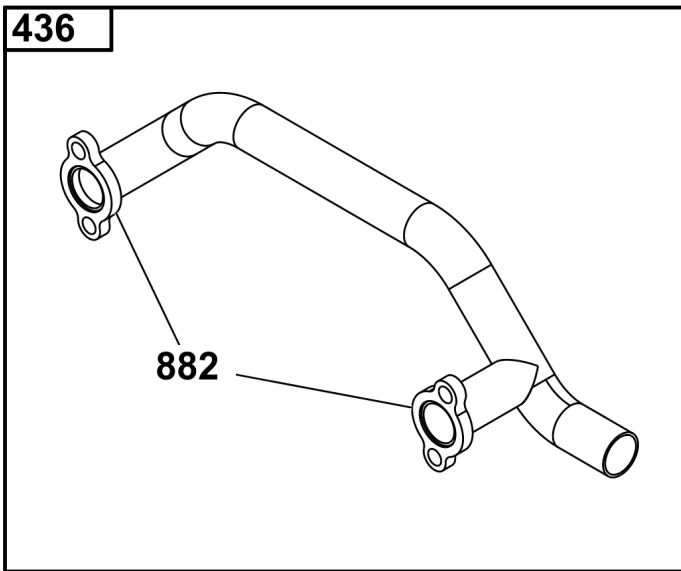
REF NO	PART NO	QTY	DESCRIPTION
300	995002	1	HIGH MNT SPR LO-TONE OIL FLTR SIDE -(Super Lo-Tone) (Horizontal: 3054, 3564) (Vertical: 3567)
300A	995000	1	OIL FILTER SIDE LO-MT -(Lo-Tone) (Horizontal: 3054, 3564) (Requires 808033 Oil Filter Adaptor)
300B	995004	1	HI MNT SPR LO-TONE OIL FLT SIDE -(Super Lo-Tone) (Horizontal: 3854, 3864) (Vertical: 3867)
300C	995009	1	COMMERCIAL MOWERS KIT -(For Wide Area Walker) (Vertical: 3567)
300D	995010	1	COMMERCIAL MOWERS KIT -(Vertical: 3867)
300E	808896	1	MUFFLER
300F	691562	1	MUFFLER -(Super Lo-Tone) (Horizontal: 3054, 3564)
300G	498984S	1	MUFFLER -(Super Lo Tone)
300H	692099	1	MUFFLER -(Lo Mount)
300I	807953	1	MUFFLER
355	842122	2	WASHER -(Muffler Bracket)
436	805609	1	MANIFOLD, Exhaust -(Cylinder 2) (Side Outlet)
436A	692061	1	MANIFOLD, Exhaust -(Cylinder 2) (Side Outlet)
436B	808916	1	MANIFOLD, Exhaust -(Cylinder 2) (Side Outlet)
436C	805778	1	MANIFOLD, Exhaust -(Wide Area Walker)
437	691902	4	SCREW -(Exhaust Manifold)
710	807689	1	COVER, Oil Filter
725	806102	1	SHIELD, Heat
728	690297	2	SCREW
740	793859	1	NUT
819	691514	2	SCREW -(Muffler Bracket) (M6 X 1.0)
819A	807084	2	SCREW -(Muffler Bracket)
819B	692056	2	SCREW -(Muffler Bracket) (M8x1.25)
819C	692062	2	SCREW -(Muffler Bracket)
837	808085	2	SPACER, Muffler -(Includes 2)
863	806759	1	BRACKET, Muffler
863A	691513	1	BRACKET, Muffler
882	692074	2	FLANGE, Exhaust -(3054 & 3564)
882A	806965	2	FLANGE, Exhaust
883	691613	2	GASKET, Exhaust
884	690898	1	CLAMP, Muffler
884A	691956	1	CLAMP, Muffler
988	690687	1	GASKET, Oil Adapter



Oil Filter Side Outlet Manifolds

REF NO	PART NO	QTY	DESCRIPTION
436	805609	1	MANIFOLD, Exhaust -(Vertical: 3567)
436A	692061	1	MANIFOLD, Exhaust -(Horizontal: 3054, 3564)
436B	691501	1	MANIFOLD, Exhaust -(Horizontal: 3054, 3564)
436C	808908	1	MANIFOLD, Exhaust -(Horizontal: 3854, 3864)
436D	808916	1	MANIFOLD, Exhaust -(Horizontal: 3854, 3864) (Vertical: 3867)
437	691902	4	SCREW -(Exhaust Manifold)
882	692074	2	FLANGE, Exhaust
883	691613	2	GASKET, Exhaust

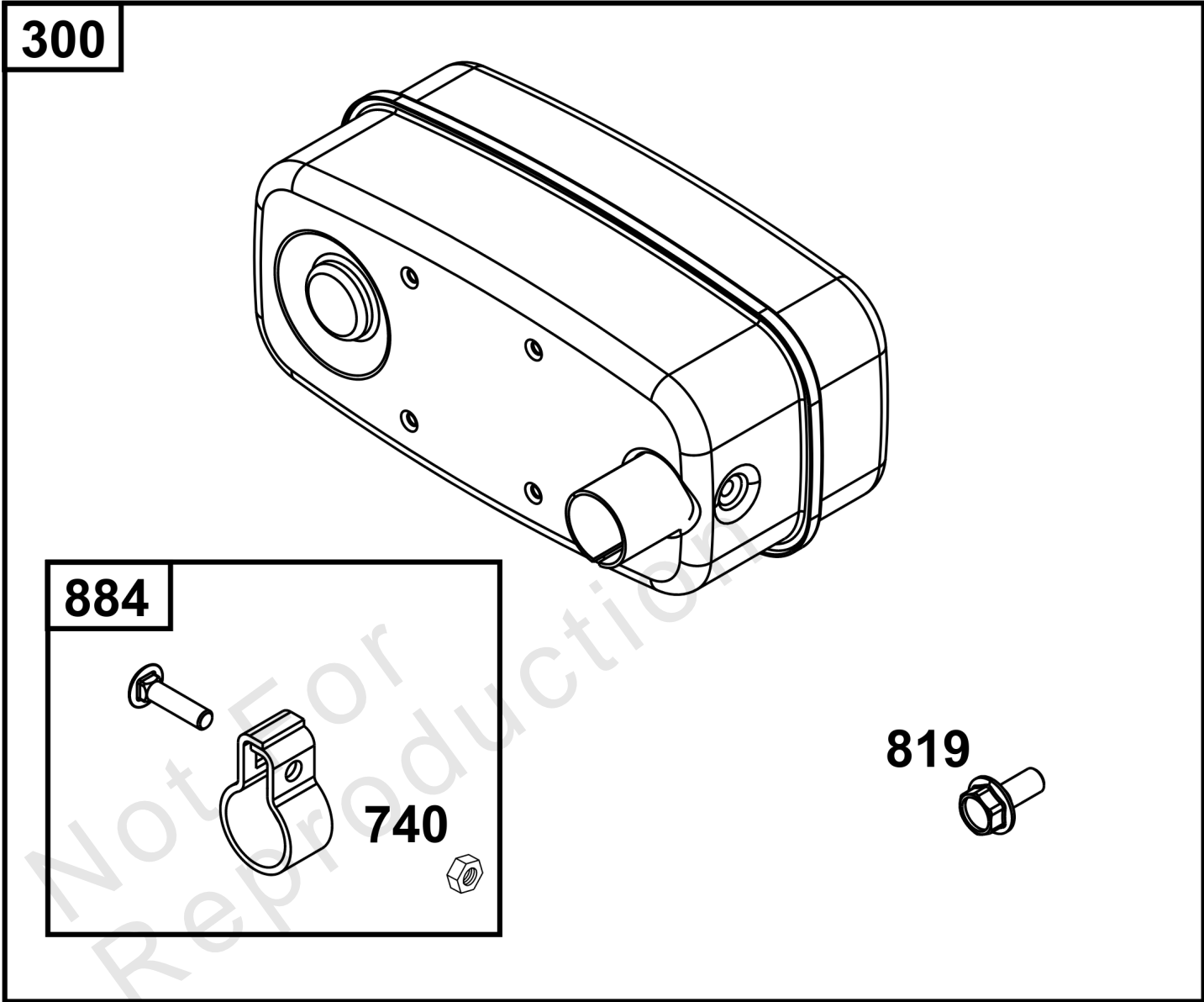
Not For Reproduction



Starter Motor Side Outlet Manifolds

REF NO	PART NO	QTY	DESCRIPTION
436	691502	1	MANIFOLD, Exhaust -(Horizontal: 3054, 3564)
436A	691499	1	MANIFOLD, Exhaust -(Horizontal: 3054, 3564)
436B	808909	1	MANIFOLD, Exhaust -(Horizontal: 3854, 3864) (Vertical: 3867)
882	692074	2	FLANGE, Exhaust

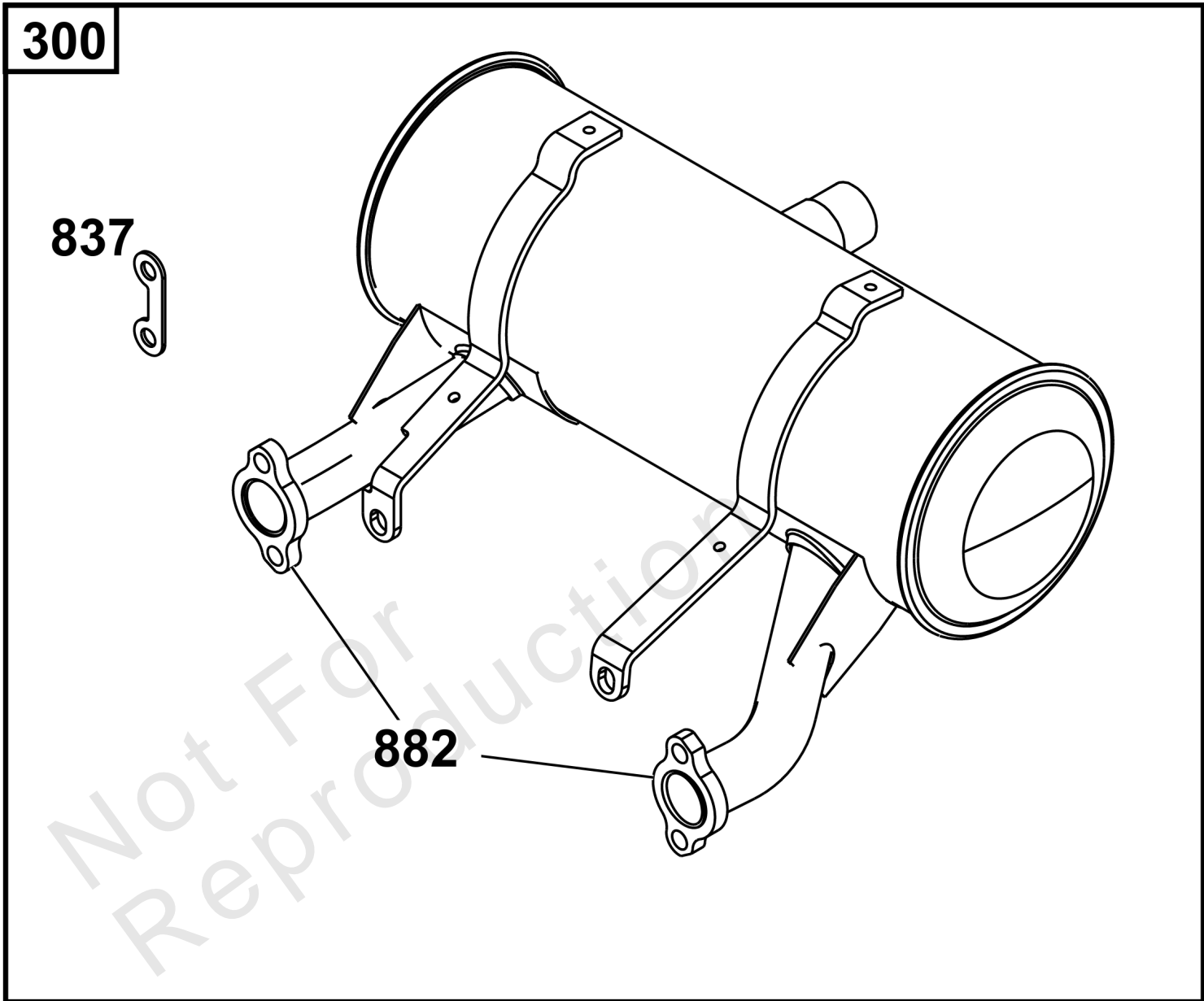
Not For Reproduction



Mufflers

REF NO	PART NO	QTY	DESCRIPTION
300	995018	1	MUFFLER -(Inlet I.D. 1.14" (28.9mm))
740	793859	1	NUT
819	807084	4	SCREW
884	691956	1	CLAMP, Muffler

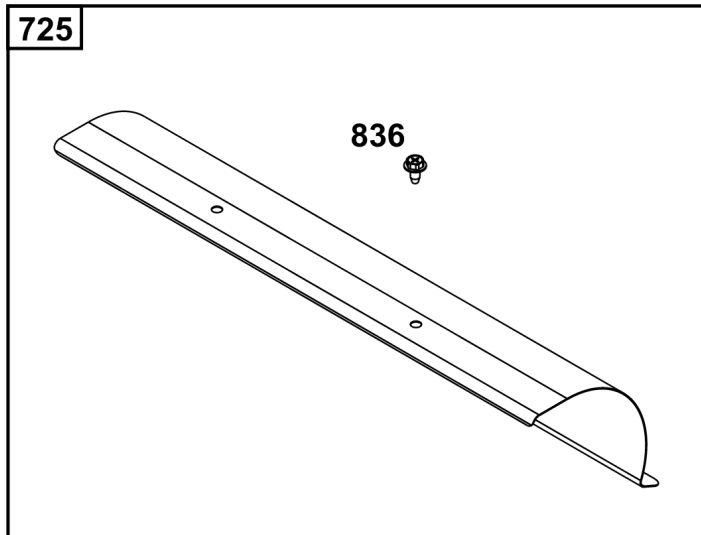
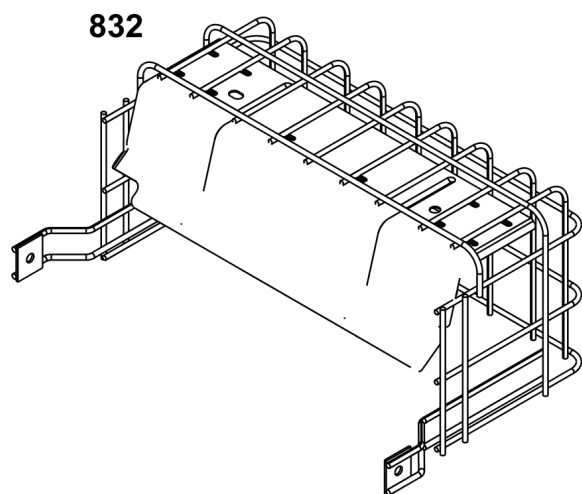
Not For Reproduction



Center Outlet Mufflers

REF NO	PART NO	QTY	DESCRIPTION
300	808911	1	MUFFLER -(5" Round) (Horizontal: 3854, 3864)
837	808085	2	SPACER, Muffler
882	806965	2	FLANGE, Exhaust

Not For Reproduction

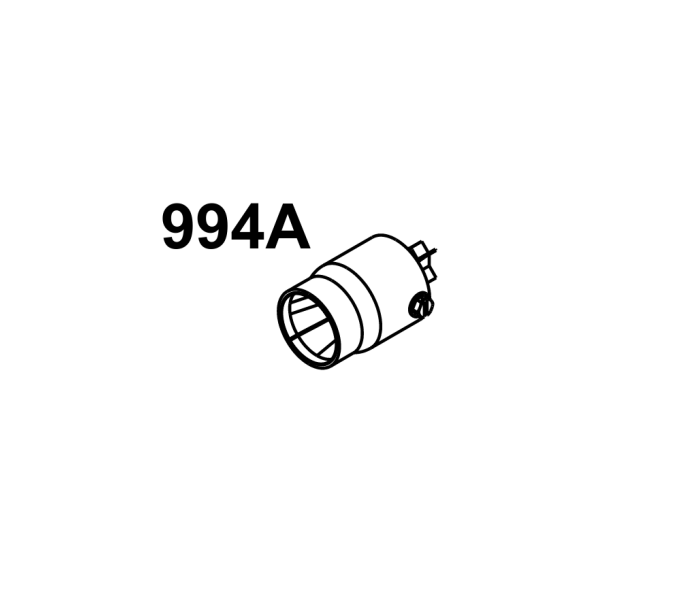
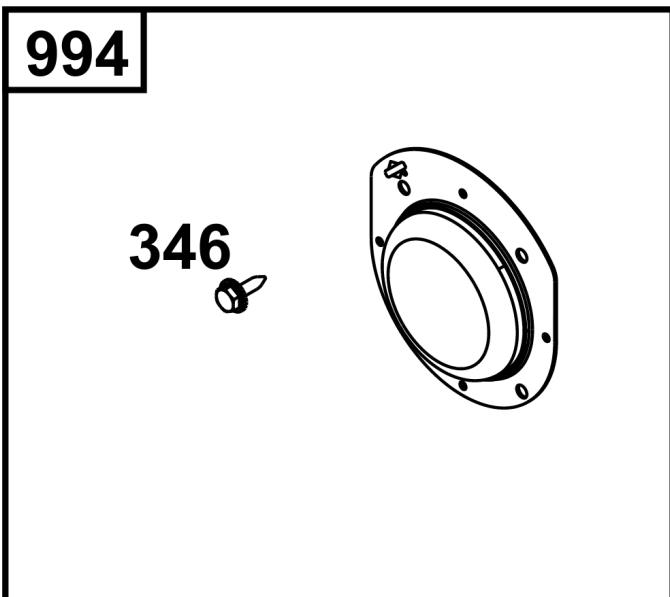
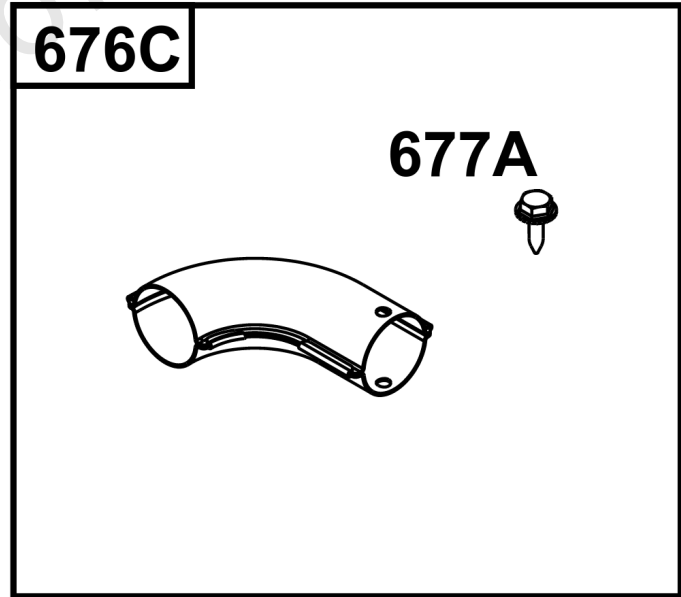
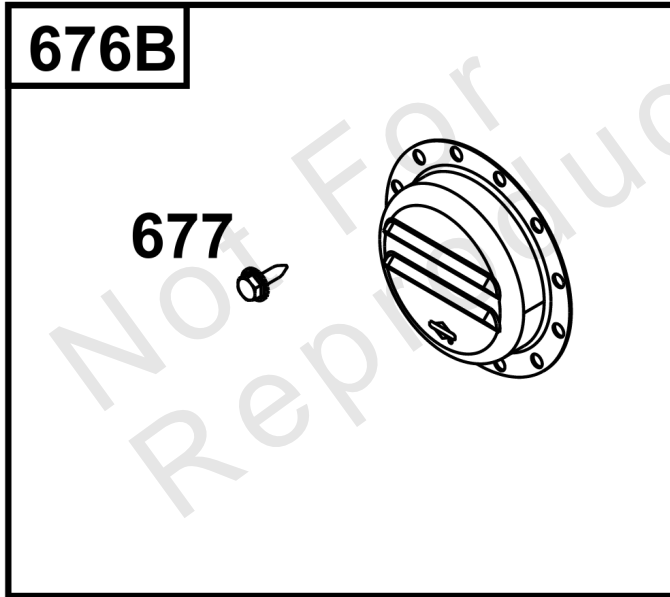
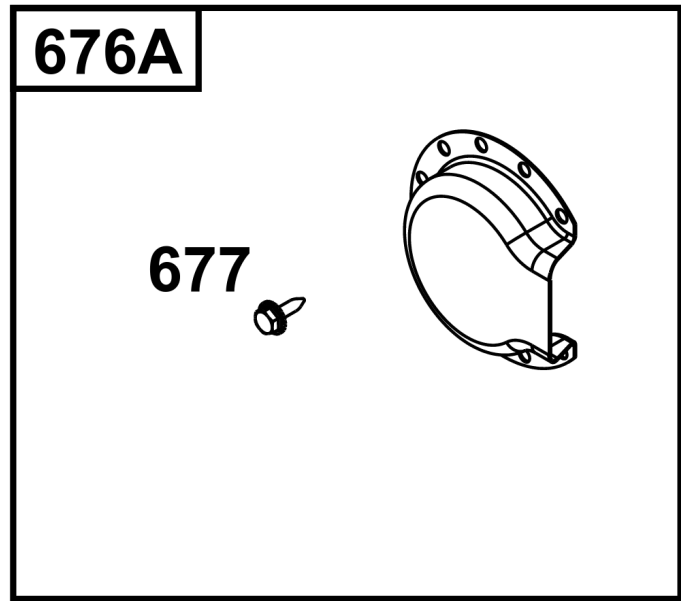
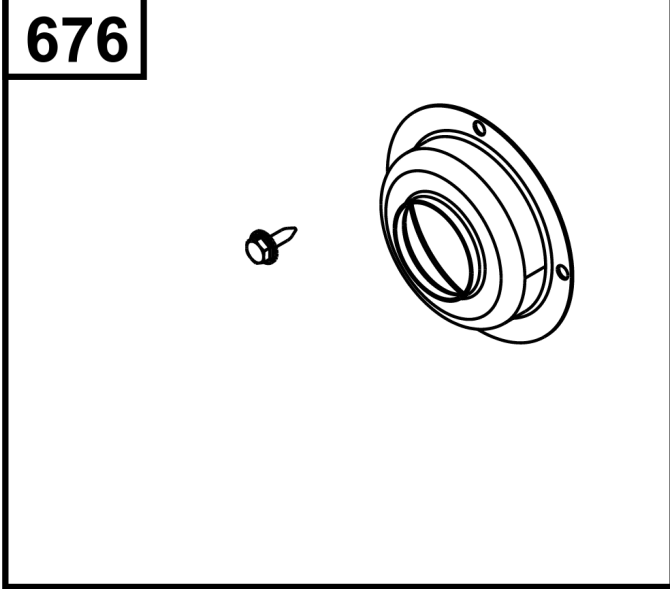


Not For
Reproduction

Muffler Guards and Shields

REF NO	PART NO	QTY	DESCRIPTION
725	846568	1	SHIELD, Heat -(For 5" Round Mufflers) (Horizontal: 3854, 3864)
832	691571	1	GUARD, Muffler -(Assembly for 690906 & 691562) (Horizontal: 3054, 3564)
836	692067	4	SCREW

Not For Reproduction



Spark Arrestors and Deflectors

REF NO	PART NO	QTY	DESCRIPTION
346	794845	4	SCREW -(Spark Arrestor)
676	396903	1	DEFLECTOR, Muffler -(Direct Outlet) (Face Mounting with 4 Screws)
676A	795036	1	DEFLECTOR, Muffler -(Deflector 90 Degree) (Face Mounting with 4 Screws)
676B	795038	1	DEFLECTOR, Muffler -(Deflector Louvered) (Face Mounting with 4 Screws)
676C	495518	1	DEFLECTOR, Muffler -(Elbow for Muffler Assembly) (For Exit Pipe O.D. of 1.10" (28mm))
677	794845	4	SCREW -(Muffler Deflector)
677A	810079	1	SCREW -(Muffler Deflector)
994	794945	1	ARRESTOR, Spark -(Spark Arrestor) (Face Mounting with 4 Screws)
994A	594562	1	ARRESTOR-SPARK -(Spark Arrestor) (For Exit Pipe O.D. of 1.10" (28mm))

Not For Reproduction

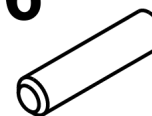
613



1177



296



883



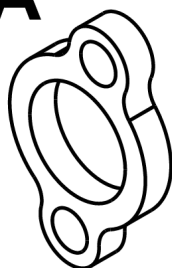
883A



882



882A

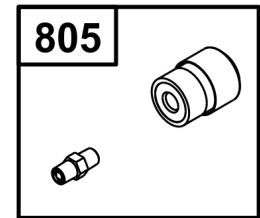
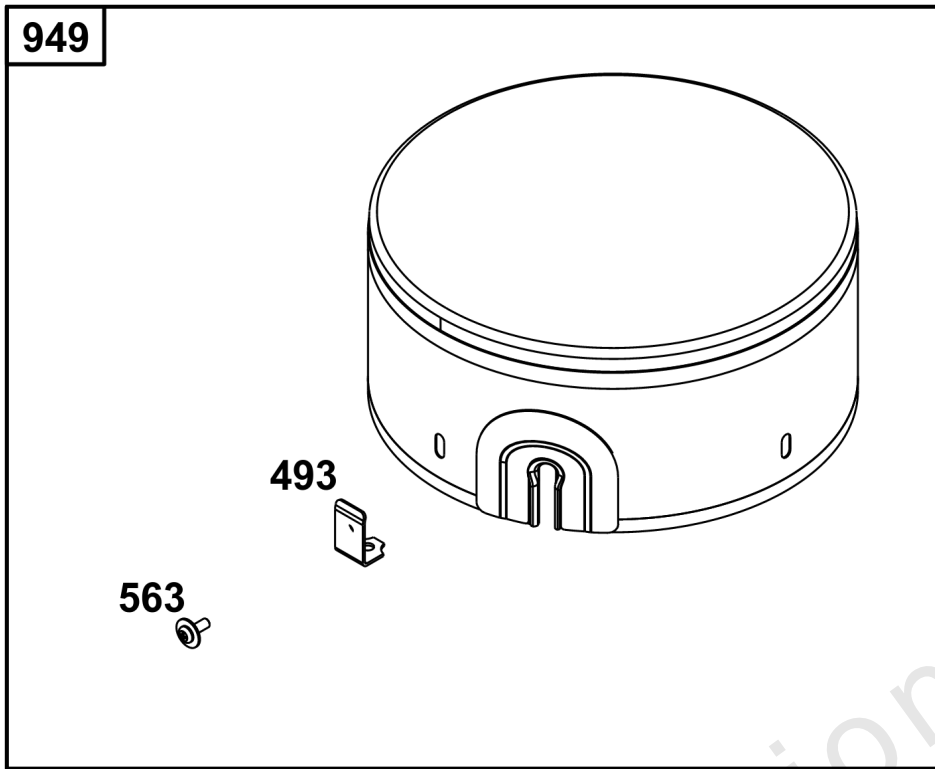


Not for
Reproduction

Muffler Mounting Hardware

REF NO	PART NO	QTY	DESCRIPTION
296	841185	4	STUD -(Mounting Mufflers)
613	691902	4	SCREW -(Mounting Mufflers)
882	692074	2	FLANGE, Exhaust -(3054 & 3564)
882A	806965	2	FLANGE, Exhaust -(3854 & 3864)
883	806425	2	GASKET, Exhaust -(Horizontal: 3854, 3864) (Vertical: 3567)
883A	691613	2	GASKET, Exhaust -(Horizontal: 3054, 3564) (Vertical: 3567)
1177	842067	4	NUT -(Required if Using 841185)

Not For Reproduction

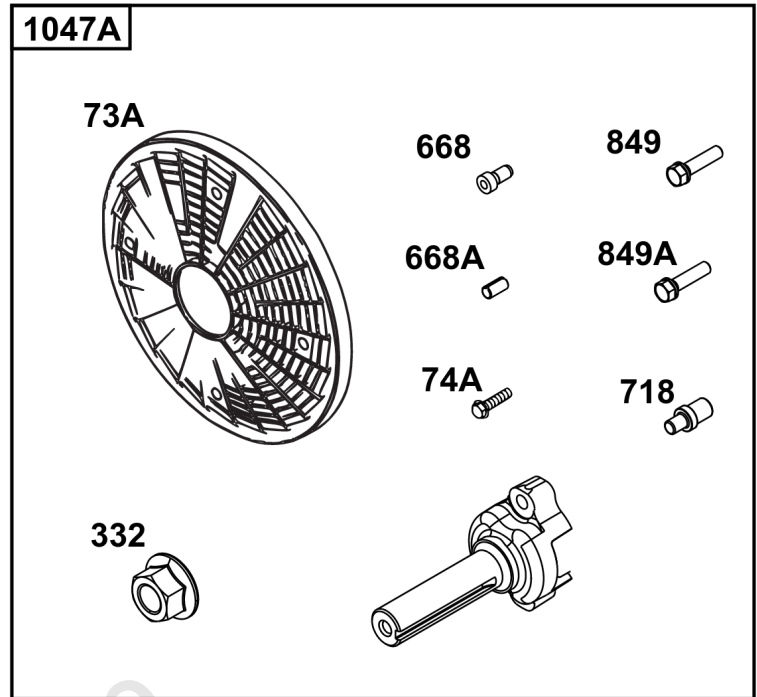
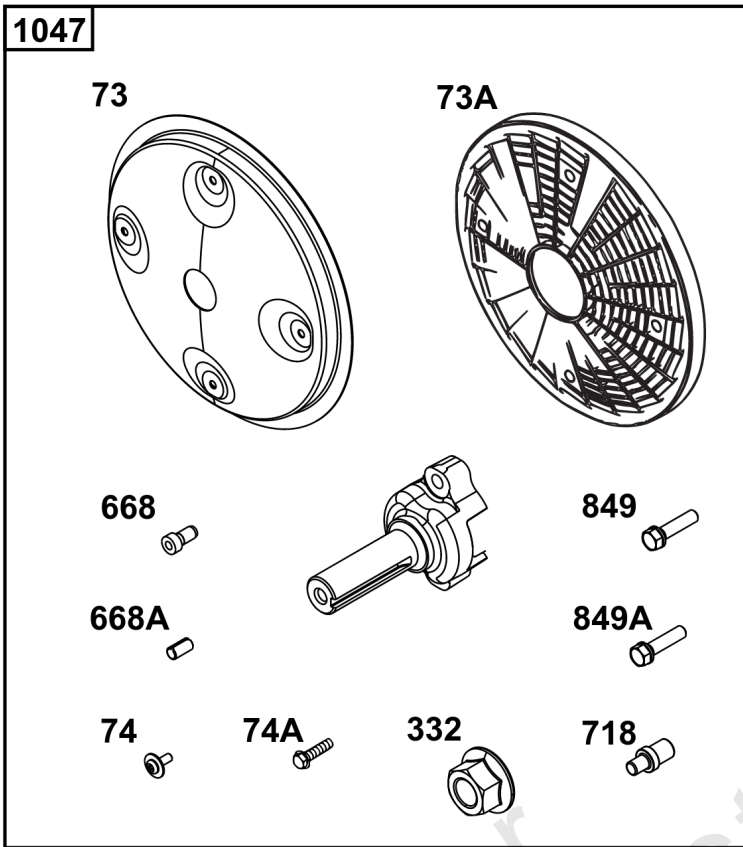


Not For
Reproduction

Flywheel and Air Intake Guards

REF NO	PART NO	QTY	DESCRIPTION
493	845729	4	BRACKET, Mounting
563	841441	4	SCREW
805	843024	1	MINDER, Filter -(For Engines with Cyclonic Air Filter)
930	846284	1	GUARD, Flywheel Fan
949	845728	1	GUARD, Debris Screen -(Vertical: 3867)

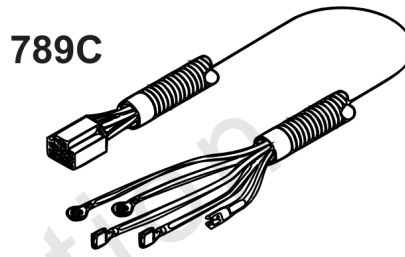
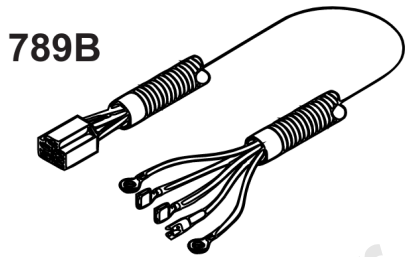
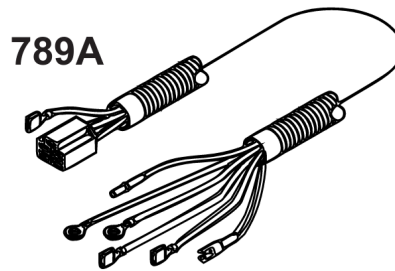
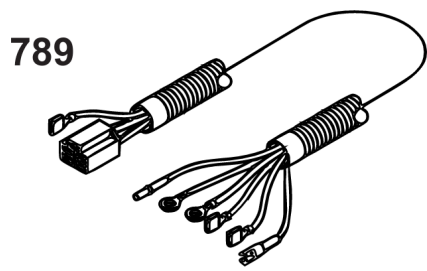
Not For Reproduction



Not For
Reproduction

PTO

REF NO	PART NO	QTY	DESCRIPTION
73	841582	1	SCREEN, Rotating
73A	494439	1	SCREEN, Rotating
74	841441	4	SCREW -(Rotating Screen)
74A	691647	4	SCREW -(Rotating Screen)
332	690887	1	NUT -(Flywheel)
668	691500	4	SPACER -(Rotating Screen)
668A	691215	4	SPACER -(Rotating Screen)
718	841581	1	PIN, Locating -(32MM)
849	691088	2	SCREW -(Stub Shaft)
849A	846236	2	SCREW -(Stub Shaft)
1047	841580	1	SHAFT, Stub -(1" Diameter) (4.75" Length)
1047A	842655	1	SHAFT, Stub -(1" Diameter) (5.43" Length)



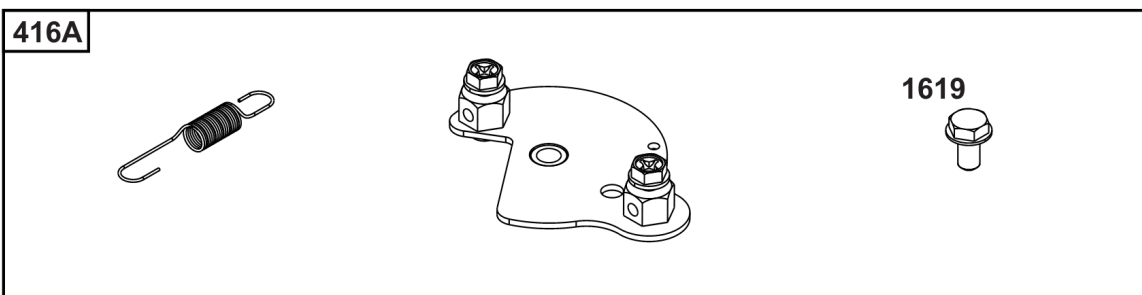
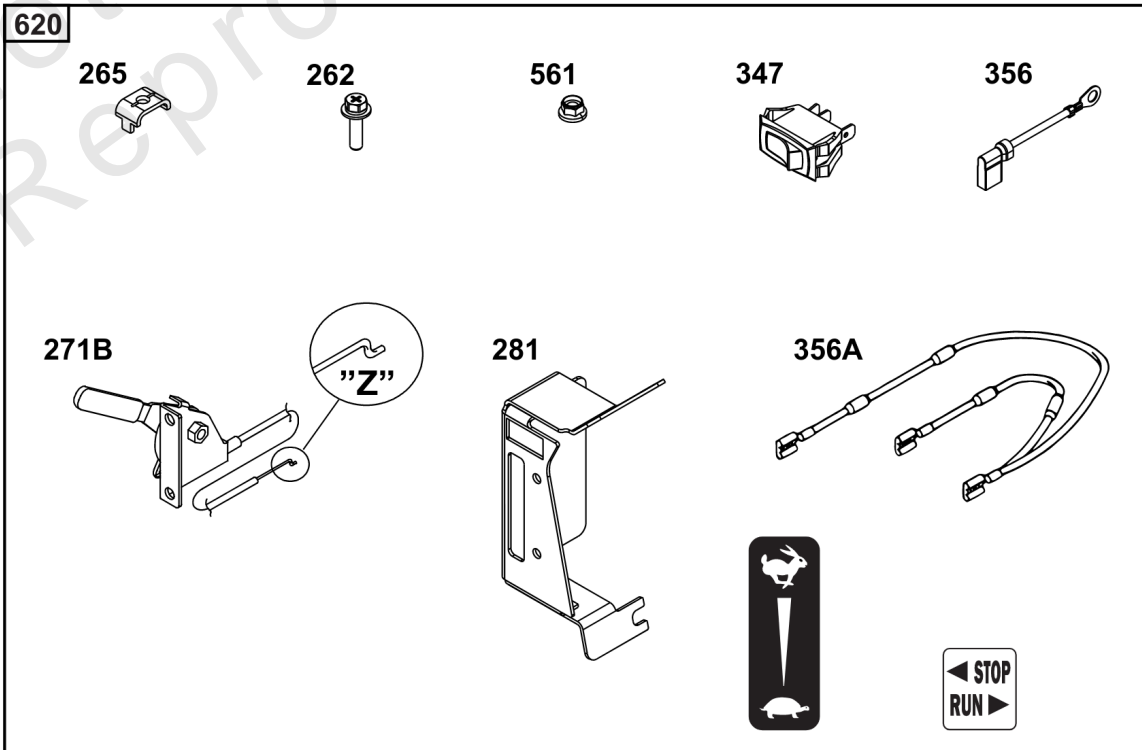
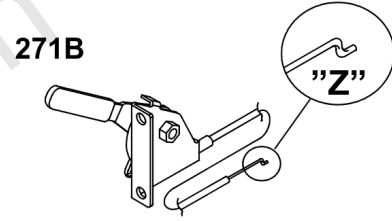
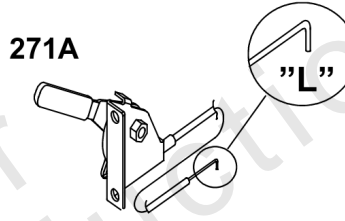
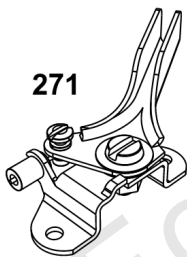
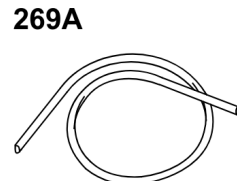
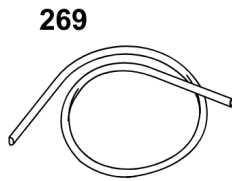
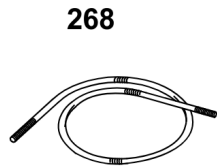
578

A wiring harness consisting of ten individual wires of different colors: orange, light orange, black, purple, blue, green, yellow, red, yellow, and grey. Each wire has a specific connector at the end. To the right, a diagram shows a 'LOOSE CONNECTOR' (TE # 1-480704-0) being inserted into a 'MATE-N-LOK 6 POSITION HOUSING'.

Electrical

REF NO	PART NO	QTY	DESCRIPTION
415	1714480SM	1	PLUG -(Plug for Ignition Switch Removal)
578	84007350	1	WIRE ASSEMBLY -(Aids in Repowering Engine Application with 6-Pin Connector and Wires with Terminals to Create Custom Adapter Configurations)
789	691996	1	HARNESS, Wiring -(For 16 Amp Alternators)
789A	841318	1	HARNESS, Wiring -(For 16 Amp Alternators with Solenoid Shift Starter)
789B	847601	1	HARNESS, Wiring -(For 20 Amp Alternators)
789C	847602	1	HARNESS, Wiring -(For 20 Amp Alternators with Solenoid Shift Starter)

Not For Reproduction



Speed Control

REF NO	PART NO	QTY	DESCRIPTION
262	841552	1	SCREW
265	691024	1	CLAMP, Casing -(Casing Clamp for Hard Casing)
265A	690798	1	CLAMP, Casing -(Casing Clamp for Soft Casing)
267	792629	1	SCREW -(Screw for Casing Clamp)
268	691025	1	CASING, Control Wire -(Wire Casing 72")
269	26634	1	WIRE, Control -(Control Wire 78")
269A	93907	1	WIRE, Control -(Control Wire 100")
270	691027	1	NUT -(Nut for Wire Casing)
271	691028	1	LEVER, Control -(Speed Control Lever Assembly)
271A	692105	1	LEVER, Control -(Speed Control Lever Assembly) ('L' Shaped End)
271B	692541	1	LEVER, Control -(Speed Control Lever Assembly) ('Z' Shaped End)
281	690742	1	PANEL, Control
347	691995	1	SWITCH-ROCKER
356	690796	1	WIRE, Stop
356A	691999	1	WIRE ASSEMBLY
416	595196	1	BRACKET, Throttle Cable -(Casing Clamp for Snap-In Casing)
416A	84006945	1	BRACKET, Throttle Cable
561	806447	1	NUT
620	494052	1	BRACKET, Control -(Throttle Control for Vanguard V-Twin Horizontal Small Block)
1619	691693	1	SCREW

