



COMMERCIAL POWER



- en** *Operator's Manual*
- bg** *Инструкции за експлоатация*
- cs** *Návod k obsluze*
- et** *Kasutusjuhend*
- hr** *Priručnik za operatora*
- hu** *Kezelési útmutató*
- it** *Naudojimo instrukcija*
- lv** *Operatora rokasgrāmata*
- pl** *Instrukcja obsługi*
- ro** *Manual de utilizare*
- ru** *Руководство по эксплуатации*
- sl** *Priročnik za uporabo*

Model 290000

Model 300000

**Vanguard™
Gasoline**

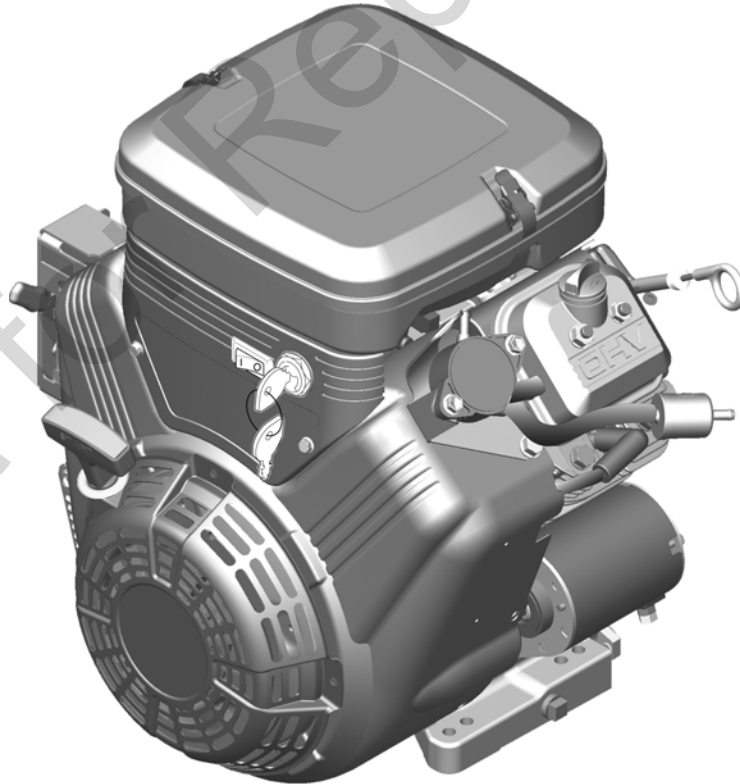
**Vanguard™
Gasoline**

Model 350000

Model 380000

**Vanguard™
Gasoline**

**Vanguard™
Gasoline**



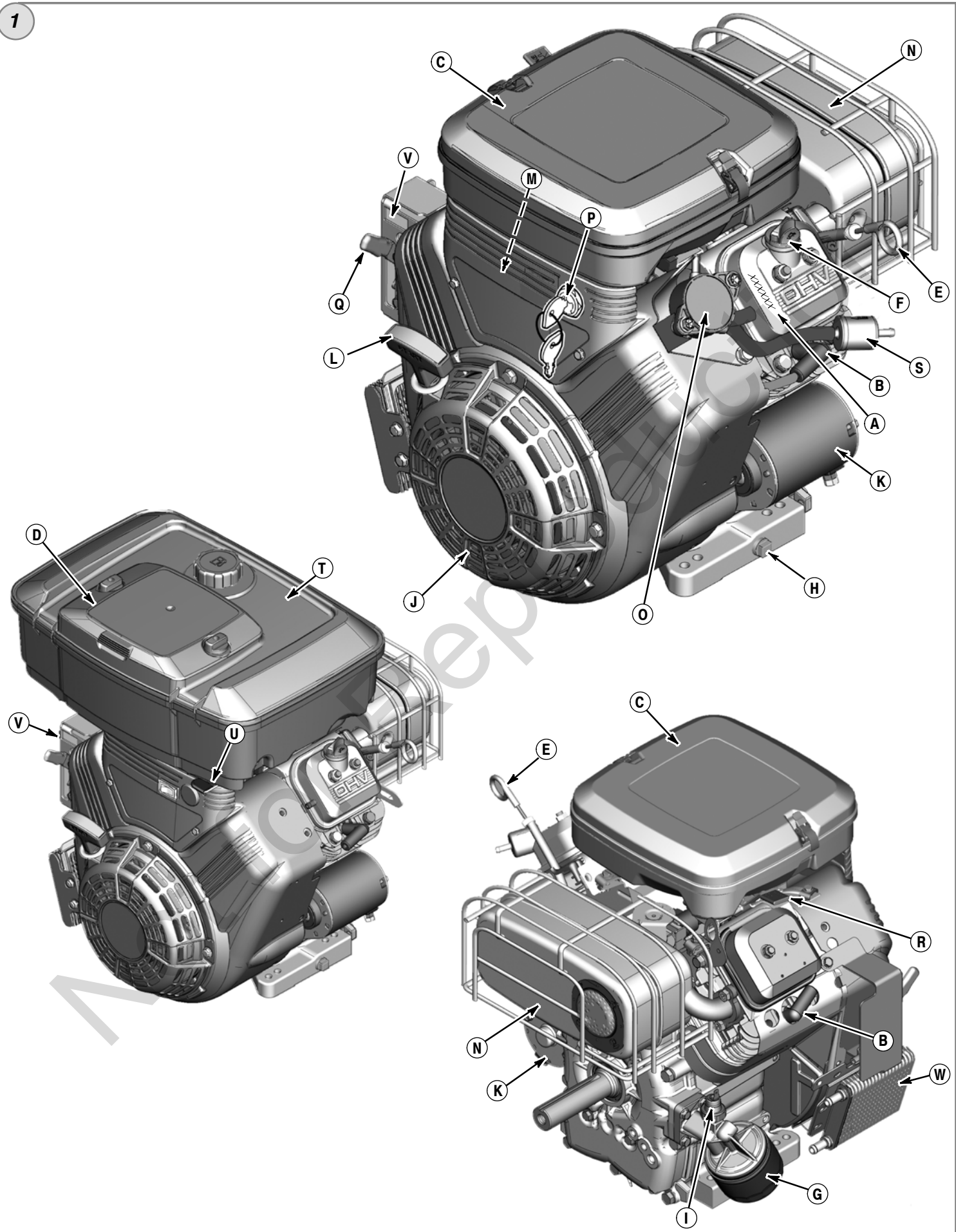
Briggs & Stratton is a registered trademark of Briggs & Stratton Corporation

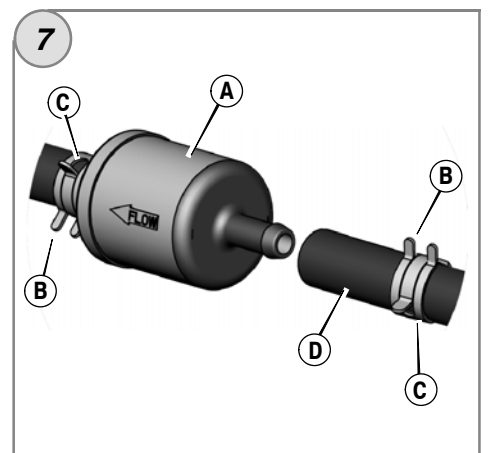
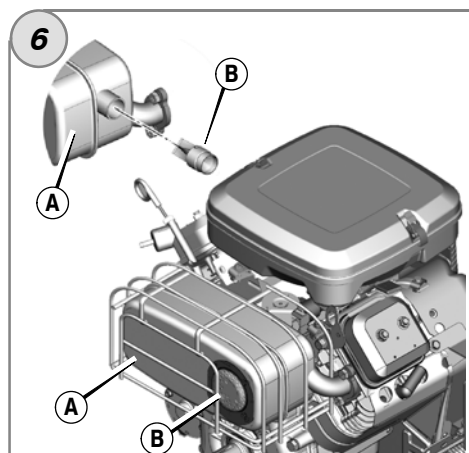
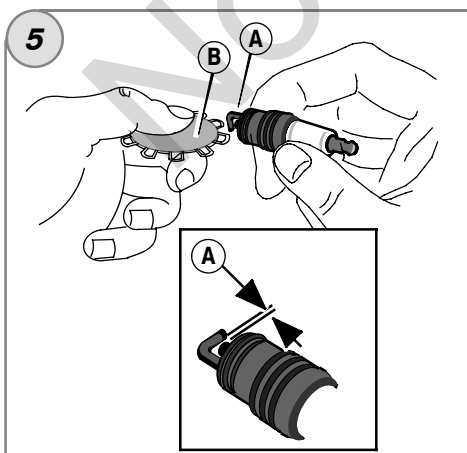
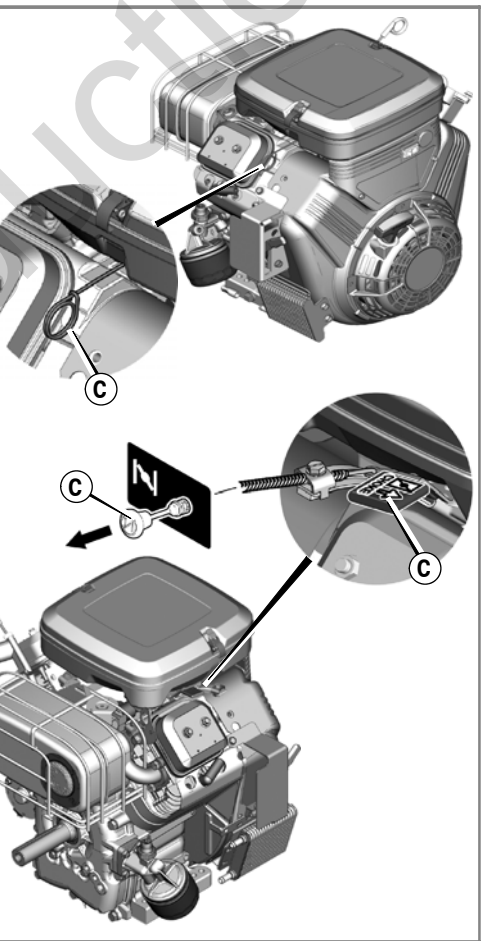
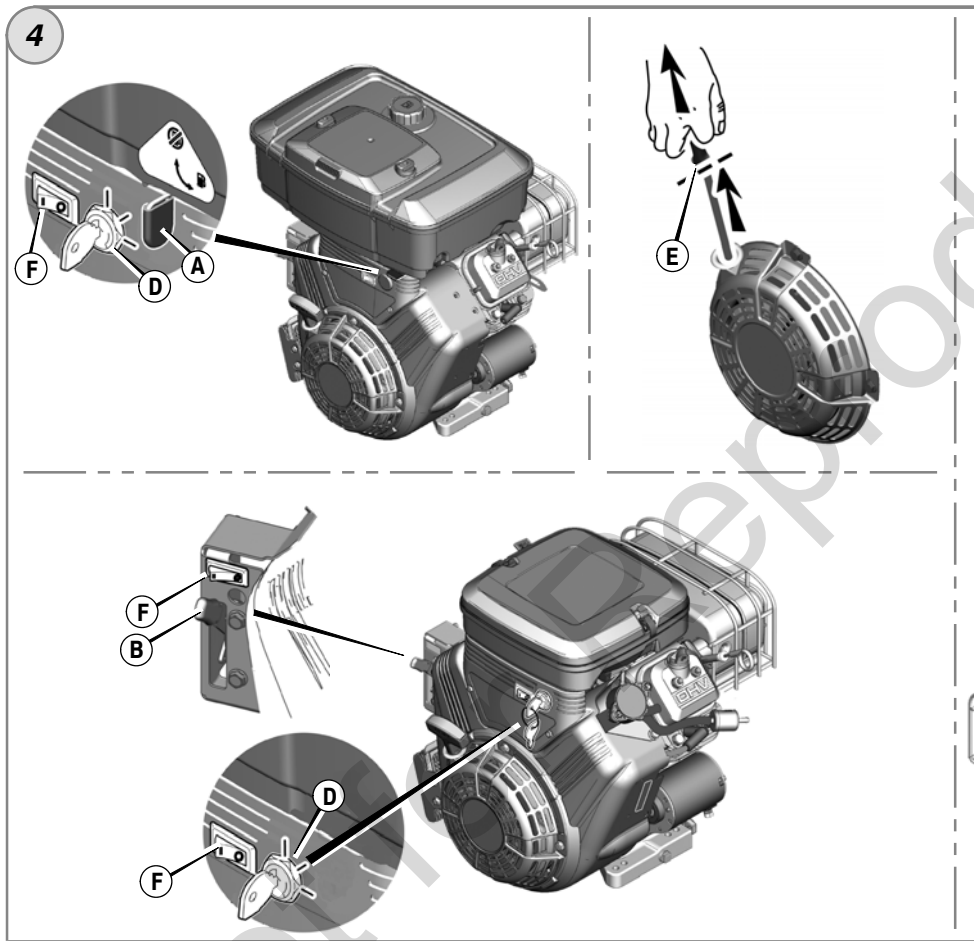
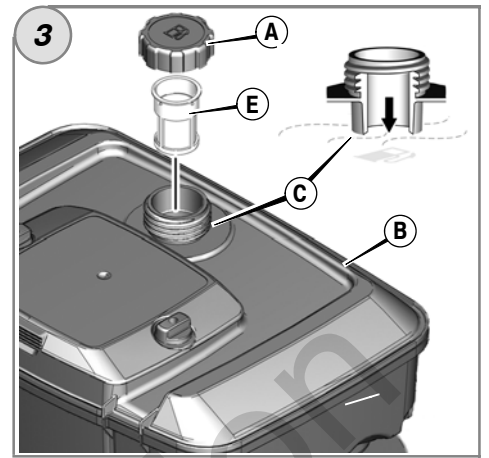
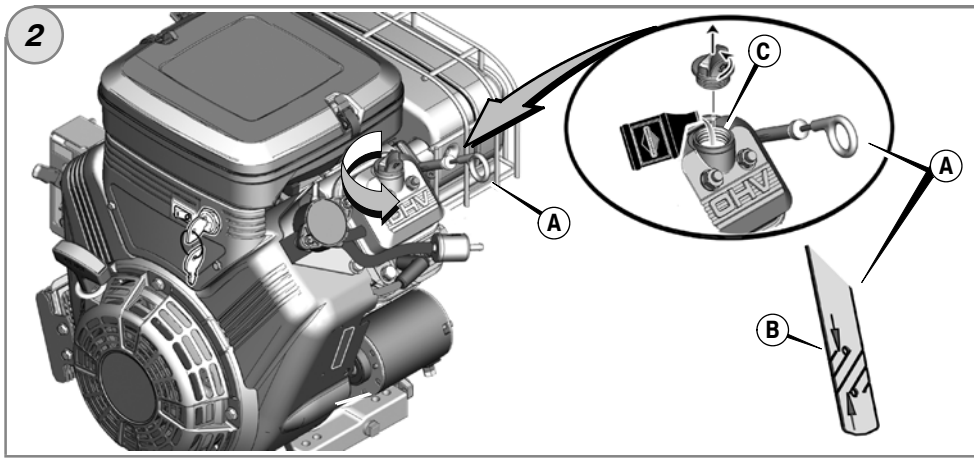
© 2010 Briggs & Stratton Corporation, Milwaukee, WI, USA. All rights reserved.

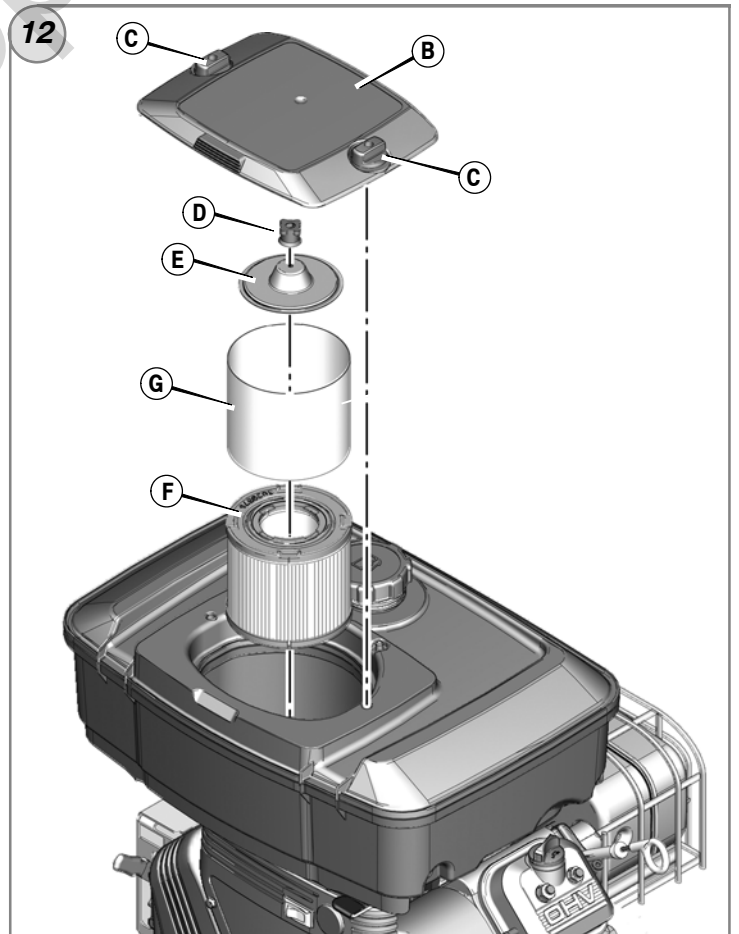
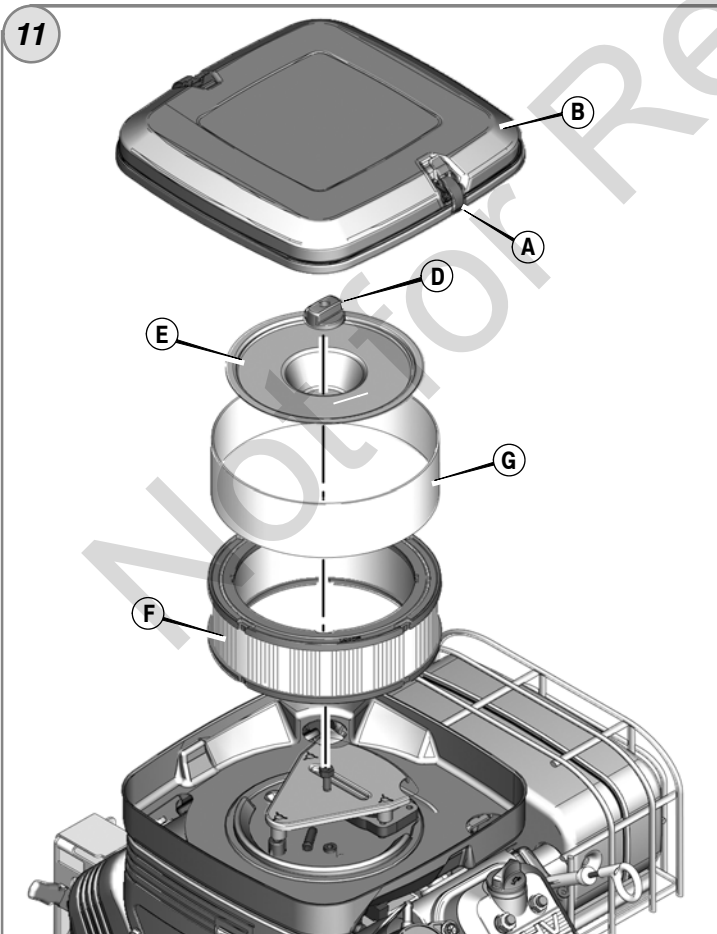
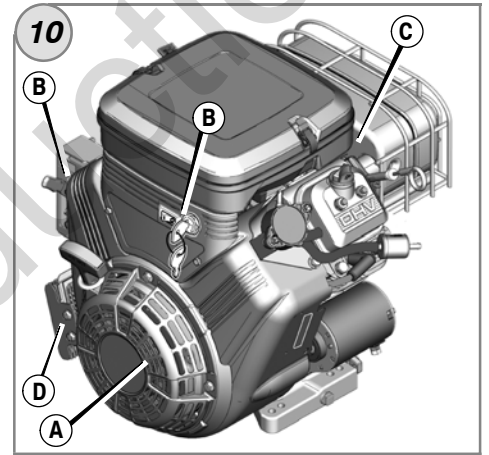
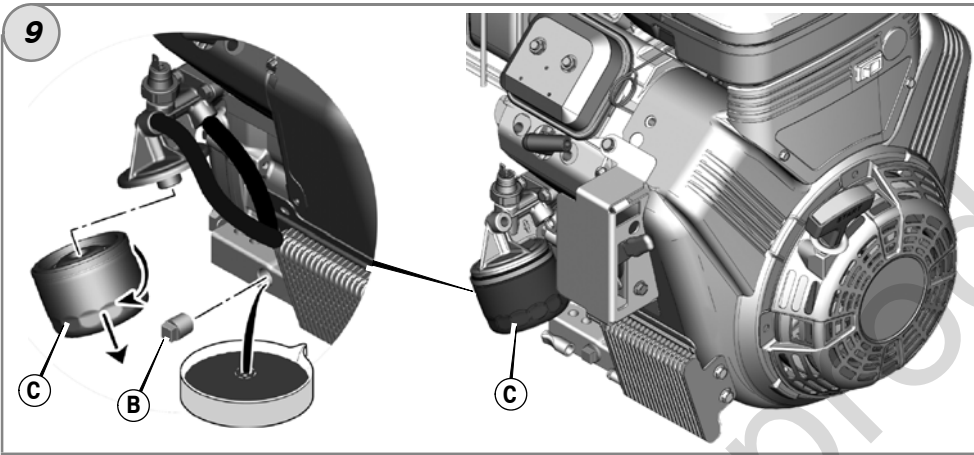
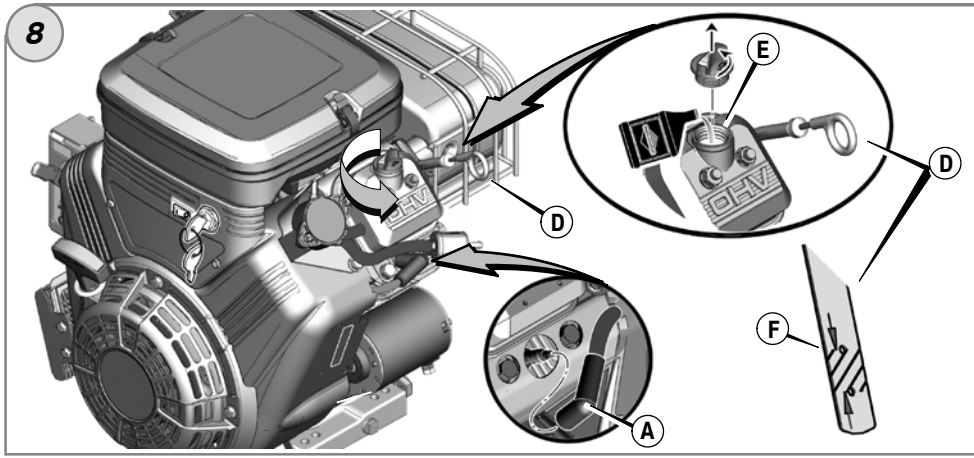
Form No. 277106EST
Revision: D

English	Български	Čeština	eesti keel	Hrvatski	Magyar	Lietuvių	Latviešu	Polski	Română	Русский	Slovenija
en	bg	cs	et	hr	hu	lt	lv	pl	ro	ru	sl

1







General Information

This manual contains safety information to make you aware of the hazards and risks associated with engines and how to avoid them. It also contains instructions for the proper use and care of the engine. Because Briggs & Stratton Corporation does not necessarily know what equipment this engine will power, it is important that you read and understand these instructions and the instructions for the equipment. **Save these original instructions for future reference.**

For replacement parts or technical assistance, record below the engine model, type, and code numbers along with the date of purchase. These numbers are located on your engine (see the **Features and Controls** page).

Date of purchase: _____
MM/DD/YYYY

Engine model: _____
Model: Type: Code:


Engine Power Rating Information


The gross power rating for individual gas engine models is labeled in accordance with SAE (Society of Automotive Engineers) code J1940 (Small Engine Power & Torque Rating Procedure), and rating performance has been obtained and corrected in accordance with SAE J1995 (Revision 2002-05). Torque values are derived at 3060 RPM; horsepower values are derived at 3600 RPM. Actual gross engine power will be lower and is affected by, among other things, ambient operating conditions and engine-to-engine variability. Given both the wide array of products on which engines are placed and the variety of environmental issues applicable to operating the equipment, the gas engine will not develop the rated gross power when used in a given piece of power equipment (actual "on-site" or net power). This difference is due to a variety of factors including, but not limited to, accessories (air cleaner, exhaust, charging, cooling, carburetor, fuel pump, etc.), application limitations, ambient operating conditions (temperature, humidity, altitude), and engine-to-engine variability. Due to manufacturing and capacity limitations, Briggs & Stratton may substitute an engine of higher rated power for this Series engine.


Operator Safety


SAFETY AND CONTROL SYMBOLS



The safety alert symbol  is used to identify safety information about hazards that can result in personal injury. A signal word (DANGER, WARNING, or CAUTION) is used with the alert symbol to indicate the likelihood and the potential severity of injury. In addition, a hazard symbol may be used to represent the type of hazard.

 **DANGER** indicates a hazard which, if not avoided, **will result in death or serious injury.**

 **WARNING** indicates a hazard which, if not avoided, **could result in death or serious injury.**

 **CAUTION** indicates a hazard which, if not avoided, **could result in minor or moderate injury.**

NOTICE indicates a situation that **could result in damage to the product.**

WARNING

Certain components in this product and its related accessories contain chemicals known to the State of California to cause cancer, birth defects, or other reproductive harm. Wash hands after handling.

WARNING

The engine exhaust from this product contains chemicals known to the State of California to cause cancer, birth defects, or other reproductive harm.

WARNING

Briggs & Stratton does not approve or authorize the use of these engines on 3-wheel All Terrain Vehicles (ATVs), motor bikes, fun/recreational go-karts, aircraft products, or vehicles intended for use in competitive events. Use of these engines in such applications could result in property damage, serious injury (including paralysis), or even death.

NOTICE: This engine was shipped from Briggs & Stratton without oil. Before you start the engine, make sure you add oil according to the instructions in this manual. If you start the engine without oil, it will be damaged beyond repair and will not be covered under warranty.

WARNING

 **Fuel and its vapors are extremely flammable and explosive. Fire or explosion can cause severe burns or death.**

When Adding Fuel

- Turn engine off and let engine cool at least 2 minutes before removing the fuel cap.
- Fill fuel tank outdoors or in well-ventilated area.
- Do not overfill fuel tank. To allow for expansion of the fuel, do not fill above the bottom of the fuel tank neck.
- Keep fuel away from sparks, open flames, pilot lights, heat, and other ignition sources.
- Check fuel lines, tank, cap, and fittings frequently for cracks or leaks. Replace if necessary
- If fuel spills, wait until it evaporates before starting engine.

When Starting Engine

- Ensure that spark plug, muffler, fuel cap and air cleaner (if equipped) are in place and secured.
- Do not crank engine with spark plug removed.
- If engine floods, set choke (if equipped) to OPEN/RUN position, move throttle (if equipped) to FAST position and crank until engine starts.

When Operating Equipment

- Do not tip engine or equipment at angle which causes fuel to spill.
- Do not choke the carburetor to stop engine.
- Never start or run the engine with the air cleaner assembly (if equipped) or the air filter (if equipped) removed.

When Changing Oil

- If you drain the oil from the top oil fill tube, the fuel tank must be empty or fuel can leak out and result in a fire or explosion.


When Transporting Equipment

- Transport with fuel tank EMPTY or with fuel shut-off valve OFF.

When Storing Fuel Or Equipment With Fuel In Tank


- Store away from furnaces, stoves, water heaters or other appliances that have pilot lights or other ignition sources because they can ignite fuel vapors.

WARNING

 **Starting engine creates sparking. Sparking can ignite nearby flammable gases. Explosion and fire could result.**

- If there is natural or LP gas leakage in area, do not start engine.
- Do not use pressurized starting fluids because vapors are flammable.

WARNING

 **Engines give off carbon monoxide, an odorless, colorless, poison gas. Breathing carbon monoxide can cause nausea, fainting or death.**

- Start and run engine outdoors.
- Do not start or run engine in enclosed area, even if doors or windows are open.



WARNING



Rapid retraction of starter cord (kickback) will pull hand and arm toward engine faster than you can let go.

Broken bones, fractures, bruises or sprains could result.

- When starting engine, pull the starter cord slowly until resistance is felt and then pull rapidly to avoid kickback.
- Remove all external equipment/engine loads before starting engine.
- Direct-coupled equipment components such as, but not limited to, blades, impellers, pulleys, sprockets, etc., must be securely attached.



WARNING



Rotating parts can contact or entangle hands, feet, hair, clothing, or accessories.

Traumatic amputation or severe laceration can result.

- Operate equipment with guards in place.
- Keep hands and feet away from rotating parts.
- Tie up long hair and remove jewelry.
- Do not wear loose-fitting clothing, dangling drawstrings or items that could become caught.



WARNING



Running engines produce heat. Engine parts, especially muffler, become extremely hot.

Severe thermal burns can occur on contact.



Combustible debris, such as leaves, grass, brush, etc. can catch fire.

- Allow muffler, engine cylinder and fins to cool before touching.
- Remove accumulated debris from muffler area and cylinder area.
- It is a violation of California Public Resource Code, Section 4442, to use or operate the engine on any forest-covered, brush-covered, or grass-covered land unless the exhaust system is equipped with a spark arrester, as defined in Section 4442, maintained in effective working order. Other states or federal jurisdictions may have similar laws. Contact the original equipment manufacturer, retailer, or dealer to obtain a spark arrester designed for the exhaust system installed on this engine.



WARNING



Unintentional sparking can result in fire or electric shock.

Unintentional start-up can result in entanglement, traumatic amputation, or laceration.



Fire hazard



Before performing adjustments or repairs:

- Disconnect the spark plug wire and keep it away from the spark plug.
- Disconnect battery at negative terminal (only engines with electric start.)
- Use only correct tools.
- Do not tamper with governor spring, links or other parts to increase engine speed.
- Replacement parts must be of the same design and installed in the same position as the original parts. Other parts may not perform as well, may damage the unit, and may result in injury.
- Do not strike the flywheel with a hammer or hard object because the flywheel may later shatter during operation.

When testing for spark:

- Use approved spark plug tester.
- Do not check for spark with spark plug removed.

Features and Controls

Compare the illustration **1** with your engine to familiarize yourself with the location of various features and controls.

- A. Engine Identification
Model Type Code
- B. Spark Plug
- C. Air Cleaner (without Fuel Tank)
- D. Air Cleaner, (with Fuel Tank)
- E. Dipstick
- F. Oil Fill
- G. Oil Filter (optional)
- H. Oil Drain Plug
- I. Oil Pressure Sensor
- J. Finger Guard
- K. Electric Starter
- L. Rewind Starter (optional)
- M. Carburetor
- N. Muffler (optional)
- O. Fuel Pump
- P. Starter Switch *
- Q. Throttle Control *
- R. Choke Control *
- S. Fuel Filter (optional)
- T. Fuel Tank (optional)
- U. Fuel Shut Off (optional) *
- V. Stop Switch (optional) *
- W. Oil Cooler (optional)

* Some engines and equipment have remote controls. See the equipment manual for location and operation of remote controls.

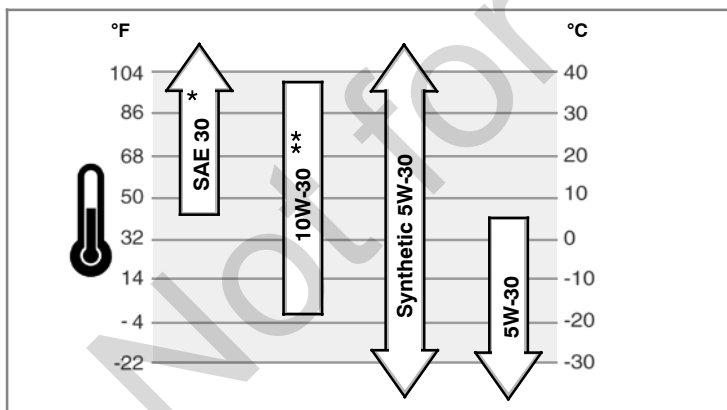
Operation

Oil capacity (see the **Specifications** section)

Oil Recommendations

We recommend the use of Briggs & Stratton Warranty Certified oils for best performance. Other high-quality detergent oils are acceptable if classified for service SF, SG, SH, SJ or higher. Do not use special additives.

Outdoor temperatures determine the proper oil viscosity for the engine. Use the chart to select the best viscosity for the outdoor temperature range expected.



* Below 40°F (4°C) the use of SAE 30 will result in hard starting.

** Above 80°F (27°C) the use of 10W-30 may cause increased oil consumption. Check oil level more frequently.

How To Check/Add Oil - Figure 2

Before adding or checking the oil

- Place engine level.
 - Clean the oil fill area of any debris.
1. Remove the dipstick (A) and wipe with a clean cloth (Figure 2).
 2. Fully insert the dipstick.

en

3. Remove the dipstick and check the oil level. It should be at the top of the full indicator (B) on the dipstick.
4. If low, add oil slowly into the engine oil fill (C). **Do not overfill.** After adding oil, wait one minute and then recheck the oil level.
5. Fully insert the dipstick.

Oil Pressure

If the oil pressure is too low, a pressure switch (if equipped) will either stop the engine or activate a warning device on the equipment. If this occurs, stop the engine and check the oil level with the dipstick.

If the oil level is below the ADD mark, add oil until it reaches the FULL mark. Start the engine and check for proper pressure before continuing to operate.

If the oil level is between the ADD and FULL marks, **do not start** the engine. Contact an Authorized Briggs & Stratton Dealer to have the oil pressure problem corrected.

Fuel Recommendations

Fuel must meet these requirements:

- Clean, fresh, unleaded gasoline.
- A minimum of 87 octane/87 AKI (91 RON). High altitude use, see below.
- Gasoline with up to 10% ethanol (gasohol) or up to 15% MTBE (methyl tertiary butyl ether) is acceptable.

CAUTION: Do not use unapproved gasolines, such as E85. Do not mix oil in gasoline or modify the engine to run on alternate fuels. This will damage the engine components and void the engine warranty.

To protect the fuel system from gum formation, mix a fuel stabilizer into the fuel. See **Storage**. All fuel is not the same. If starting or performance problems occur, change fuel providers or change brands. This engine is certified to operate on gasoline. The emissions control system for this engine is EM (Engine Modifications).

High Altitude

At altitudes over 5,000 feet (1524 meters), a minimum 85 octane/85 AKI (89 RON) gasoline is acceptable. To remain emissions compliant, high altitude adjustment is required. Operation without this adjustment will cause decreased performance, increased fuel consumption, and increased emissions. See a Briggs & Stratton Authorized Dealer for high altitude adjustment information.

Operation of the engine at altitudes below 2,500 feet (762 meters) with the high altitude kit is not recommended.

How To Add Fuel - Figure 3



WARNING



Fuel and its vapors are extremely flammable and explosive. Fire or explosion can cause severe burns or death.

When Adding Fuel

- Turn engine off and let engine cool at least 2 minutes before removing the fuel cap.
- Fill fuel tank outdoors or in well-ventilated area.
- Do not overfill fuel tank. To allow for expansion of the fuel, do not fill above the bottom of the fuel tank neck.
- Keep fuel away from sparks, open flames, pilot lights, heat, and other ignition sources.
- Check fuel lines, tank, cap, and fittings frequently for cracks or leaks. Replace if necessary
- If fuel spills, wait until it evaporates before starting engine.

1. Clean the fuel cap area of dirt and debris. Remove the fuel cap (A, Figure 3).
2. Fill the fuel tank (B) with fuel. To allow for expansion of the fuel, do not fill above the bottom of the fuel tank neck (C).
3. Reinstall the fuel cap.

How To Start The Engine - Figure 4



WARNING



Rapid retraction of starter cord (kickback) will pull hand and arm toward engine faster than you can let go. Broken bones, fractures, bruises or sprains could result.

- When starting engine, pull the starter cord slowly until resistance is felt and then pull rapidly to avoid kickback.



WARNING



Fuel and its vapors are extremely flammable and explosive.
Fire or explosion can cause severe burns or death.

When Starting Engine

- Ensure that spark plug, muffler, fuel cap and air cleaner (if equipped) are in place and secured.
- Do not crank engine with spark plug removed.
- If engine floods, set choke (if equipped) to OPEN/RUN position, move throttle (if equipped) to FAST position and crank until engine starts.



WARNING



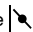


Engines give off carbon monoxide, an odorless, colorless, poison gas.
Breathing carbon monoxide can cause nausea, fainting or death.

- Start and run engine outdoors.
- Do not start or run engine in enclosed area, even if doors or windows are open.

NOTICE: This engine was shipped from Briggs & Stratton without oil. Before you start the engine, make sure you add oil according to the instructions in this manual. If you start the engine without oil, it will be damaged beyond repair and will not be covered under warranty.

Note: Some engines and equipment have remote controls. See the equipment manual for location and operation of remote controls.

1. Check the oil level. See the **How To Check/Add Oil** section.
2. Make sure equipment drive controls, if equipped, are disengaged.
3. Turn the fuel shut-off valve (A), if equipped, to the on position (Figure 4).
4. Push the stop switch (F), if equipped, to the on position.
5. Move the throttle control (B) to the fast  position. Operate the engine in the fast  position.
6. Move the choke control (C) to the choke  position.

Note: Choke is usually unnecessary when restarting a warm engine.

7. **Rewind Start:** Turn the key switch (D), if equipped, to the run position.
8. **Rewind Start:** Firmly hold the starter cord handle (E). Pull the starter cord handle slowly until resistance is felt, then pull rapidly.

Note: If the engine does not start after repeated attempts, go to **BRIGGSandSTRATTON.COM** or call **1-800-233-3723** (in USA).



WARNING: Rapid retraction of the starter cord (kickback) will pull your hand and arm toward the engine faster than you can let go. Broken bones, fractures, bruises or sprains could result. When starting engine, pull the starter cord slowly until resistance is felt and then pull rapidly to avoid kickback.

9. **Electric Start:** Turn the electric start switch (D) to the on/start position.

Note: If the engine does not start after repeated attempts, go to **BRIGGSandSTRATTON.COM** or call **1-800-233-3723** (in USA).

NOTICE: To extend the life of the starter, use short starting cycles (five seconds maximum). Wait one minute between starting cycles.

10. As the engine warms up, move the choke control (C) to the run  position.

How To Stop The Engine - Figure 4




WARNING



Fuel and its vapors are extremely flammable and explosive.
Fire or explosion can cause severe burns or death.

- Do not choke the carburetor to stop engine.

1. With the throttle control (B) in the slow  position, turn the key switch (D) to the off position (Figure 4). Remove the key and keep in a safe place out of the reach of children.
2. Push the stop switch (F) to the off position.
3. After the engine stops, turn the fuel shut-off valve (A), if equipped, to the closed position.

Maintenance

We recommend that you see any Briggs & Stratton Authorized Dealer for all maintenance and service of the engine and engine parts.

NOTICE: All the components used to build this engine must remain in place for proper operation.

Emissions Control

Maintenance, replacement, or repair of the emissions control devices and systems may be performed by any non-road engine repair establishment or individual.

However, to obtain "no charge" emissions control service, the work must be performed by a factory authorized dealer. See the Emissions Warranty.



WARNING



Unintentional sparking can result in fire or electric shock.



Unintentional start-up can result in entanglement, traumatic amputation, or laceration.



Fire hazard

Before performing adjustments or repairs:

- Disconnect the spark plug wire and keep it away from the spark plug.
- Disconnect battery at negative terminal (only engines with electric start.)
- Use only correct tools.
- Do not tamper with governor spring, links or other parts to increase engine speed.
- Replacement parts must be of the same design and installed in the same position as the original parts. Other parts may not perform as well, may damage the unit, and may result in injury.
- Do not strike the flywheel with a hammer or hard object because the flywheel may later shatter during operation.

When testing for spark:

- Use approved spark plug tester.
- Do not check for spark with spark plug removed.

Maintenance Chart

First 5 Hours
<ul style="list-style-type: none"> • Change oil
Every 8 Hours or Daily
<ul style="list-style-type: none"> • Check engine oil level • Clean area around muffler and controls
Every 100 Hours or Annually
<ul style="list-style-type: none"> • Clean air filter * • Clean pre-cleaner (if equipped) * • Change engine oil and filter • Replace spark plug • Check muffler and spark arrester • Check valve clearance **
Every 400 Hours or Annually
<ul style="list-style-type: none"> • Change air filter • Replace fuel filter • Clean air cooling system * • Clean oil cooler fins *

* In dusty conditions or when airborne debris is present, clean more often.

** Not required unless engine performance problems are noted.

Carburetor Adjustment

Never make adjustments to the carburetor. The carburetor was set at the factory to operate efficiently under most conditions. However, if adjustments are required, see a Briggs & Stratton Authorized Dealer for service.

NOTICE: The manufacturer of the equipment on which this engine is installed specifies the top speed at which the engine will be operated. **Do not exceed** this speed.

How To Replace The Spark Plug - Figure 5

Check the gap (A, Figure 5) with a wire gauge (B). If necessary, reset the gap. Install and tighten the spark plug to the recommended torque. For gap setting or torque, see the **Specifications** section.

Note: In some areas, local law requires using a resistor spark plug to suppress ignition signals. If this engine was originally equipped with a resistor spark plug, use the same type for replacement.

Inspect Muffler And Spark Arrester - Figure 6



WARNING



Running engines produce heat. Engine parts, especially muffler, become extremely hot.



Severe thermal burns can occur on contact.



Combustible debris, such as leaves, grass, brush, etc. can catch fire.

- Allow muffler, engine cylinder and fins to cool before touching.
- Remove accumulated debris from muffler area and cylinder area.
- It is a violation of California Public Resource Code, Section 4442, to use or operate the engine on any forest-covered, brush-covered, or grass-covered land unless the exhaust system is equipped with a spark arrester, as defined in Section 4442, maintained in effective working order. Other states or federal jurisdictions may have similar laws. Contact the original equipment manufacturer, retailer, or dealer to obtain a spark arrester designed for the exhaust system installed on this engine.

Remove accumulated debris from muffler area and cylinder area. Inspect the muffler (A, Figure 6) for cracks, corrosion, or other damage. Remove the spark arrester (B), if equipped, and inspect for damage or carbon blockage. If damage is found, install replacement parts before operating.



WARNING: Replacement parts must be of the same design and installed in the same position as the original parts. Other parts may not perform as well, may damage the unit, and may result in injury.

How To Change The Oil - Figure 8 9

Used oil is a hazardous waste product and must be disposed of properly. Do not discard with household waste. Check with your local authorities, service center, or dealer for safe disposal/recycling facilities.

Remove Oil

1. With engine off but still warm, disconnect the spark plug wire (A) and keep it away from the spark plug (Figure 8).
2. Remove the oil drain plug (B, Figure 9). Drain the oil into an approved container.
3. After the oil has drained, install and tighten the oil drain plug.

Change The Oil Filter (if equipped)

Some models are equipped with oil filter. For replacement intervals, see the **Maintenance** chart.

1. Drain the oil from the engine. See **Remove Oil** section.
2. Remove the oil filter (C) and dispose of properly. See Figure 9.
3. Before you install the new oil filter, lightly lubricate the oil filter gasket with fresh, clean oil.
4. Install the oil filter by hand until the gasket contacts the oil filter adapter, then tighten the oil filter 1/2 to 3/4 turns.
5. Add oil. See **Add Oil** section.
6. Start and run the engine. As the engine warms up, check for oil leaks.
7. Stop the engine and check the oil level. It should be at the top of the full indicator (F) on the dipstick (Figure 8).

Add Oil

- Place engine level.
 - Clean the oil fill area of any debris.
 - See the **Specifications** section for oil capacity.
1. Remove the dipstick (D) and wipe with a clean cloth (Figure 8).
 2. Pour the oil slowly into the engine oil fill (E). **Do not overfill.** After adding oil, wait one minute and then check the oil level.
 3. Install and tighten the dipstick.
 4. Remove the dipstick and check the oil level. It should be at the top of the full indicator (F) on the dipstick.
 5. Install and tighten the dipstick.

en

How To Service The Air Filter - Figure 11 12



WARNING



Fuel and its vapors are extremely flammable and explosive. Fire or explosion can cause severe burns or death.



- Never start or run the engine with the air cleaner assembly (if equipped) or the air filter (if equipped) removed.

NOTICE: Do not use pressurized air or solvents to clean the filter. Pressurized air can damage the filter and solvents will dissolve the filter.

Two types of air filter systems are shown. See the **Maintenance Chart** for service requirements.

1. **Models without Fuel Tank:** Open the latches (A) and remove the cover (B). See Figure 11.
2. **Models with Fuel Tank:** Remove the knob (C) and the cover (B). See Figure 12.
3. Remove the nut (D) and the retainer (E). See Figure 11 and 12.
4. Remove the air filter (F).
5. Remove the pre-cleaner (G), if equipped, from the air filter.
6. To loosen debris, gently tap the air filter on a hard surface. If the air filter is excessively dirty, replace with a new air filter.
7. Wash the pre-cleaner in liquid detergent and water. Then allow it to thoroughly air dry. **Do not** oil the pre-cleaner.
8. Assemble the dry pre-cleaner to the air filter.
9. Install the air filter and secure with retainer and nut.
10. Install and secure the cover.

How To Replace The Fuel Filter - Figure 7



WARNING



Fuel and its vapors are extremely flammable and explosive. Fire or explosion can cause severe burns or death.



- Keep fuel away from sparks, open flames, pilot lights, heat, and other ignition sources.
- Check fuel lines, tank, cap, and fittings frequently for cracks or leaks. Replace if necessary.
- Before replacing the fuel filter, drain the fuel tank or close the fuel shut-off valve.
- Replacement parts must be the same and installed in the same position as the original parts.
- If fuel spills, wait until it evaporates before starting engine.

1. Before replacing the fuel filter (A, Figure 7), if equipped, drain the fuel tank or close the fuel shut-off valve. Otherwise, fuel can leak out and cause a fire or explosion.
2. Use pliers to squeeze tabs (B) on the clamps (C), then slide the clamps away from the fuel filter. Twist and pull the fuel lines (D) off the fuel filter.
3. Check the fuel lines for cracks or leaks. Replace if necessary.
4. Replace the fuel filter with an original equipment replacement filter.
5. Secure the fuel lines with the clamps as shown.

Note: Engines equipped with a factory mounted fuel tank may have a fuel tank strainer (E), see Figure 3.

How To Clean The Air Cooling System - Figure 10



WARNING



Running engines produce heat. Engine parts, especially muffler, become extremely hot.



Severe thermal burns can occur on contact.



Combustible debris, such as leaves, grass, brush, etc. can catch fire.

- Allow muffler, engine cylinder and fins to cool before touching.
- Remove accumulated debris from muffler area and cylinder area.

NOTICE: Do not use water to clean the engine. Water could contaminate the fuel system. Use a brush or dry cloth to clean the engine.

This is an air cooled engine. Dirt or debris can restrict air flow and cause the engine to overheat, resulting in poor performance and reduced engine life.

Use a brush or dry cloth to remove debris from the finger guard (A). Keep linkage, springs and controls (B) clean. Keep the area around and behind the muffler (C) free of any combustible debris (Figure 10). Make sure that the oil cooler fins (D) are free of dirt and debris.

Storage



WARNING



Fuel and its vapors are extremely flammable and explosive. Fire or explosion can cause severe burns or death.

When Storing Fuel Or Equipment With Fuel In Tank

- Store away from furnaces, stoves, water heaters or other appliances that have pilot lights or other ignition sources because they can ignite fuel vapors.

Fuel System

Fuel can become stale when stored over 30 days. Stale fuel causes acid and gum deposits to form in the fuel system or on essential carburetor parts. To keep fuel fresh, use Briggs & Stratton FRESH START® fuel stabilizer, available as a liquid additive or a drip concentrate cartridge.

There is no need to drain gasoline from the engine if a fuel stabilizer is added according to instructions. Run the engine for 2 minutes to circulate the stabilizer throughout the fuel system. The engine and fuel can then be stored up to 24 months.

If gasoline in the engine has not been treated with a fuel stabilizer, it must be drained into an approved container. Run the engine until it stops from lack of fuel. The use of a fuel stabilizer in the storage container is recommended to maintain freshness.

Engine Oil

While the engine is still warm, change the engine oil.

Troubleshooting

Need Assistance? Go to BRIGGSandSTRATTON.COM or call 1-800-233-3723.

Specifications

Engine Specifications	
Model	290000
Displacement	29.23 ci (479 cc)
Bore	2.677 in (68 mm)
Stroke	2.598 in (66 mm)
Oil Capacity	46 - 48 oz (1.36 - 1.42 L)

Engine Specifications	
Model	300000
Displacement	29.23 ci (479 cc)
Bore	2.677 in (68 mm)
Stroke	2.598 in (66 mm)
Oil Capacity	46 - 48 oz (1.36 - 1.42 L)

Engine Specifications	
Model	350000
Displacement	34.78 ci (570 cc)
Bore	2.835 in (72 mm)
Stroke	2.756 in (70 mm)
Oil Capacity	46 - 48 oz (1.36 - 1.42 L)

Engine Specifications	
Model	380000
Displacement	38.26 ci (627 cc)
Bore	2.972 in (75.5 mm)
Stroke	2.756 in (70 mm)
Oil Capacity	46 - 48 oz (1.36 - 1.42 L)

Tune-up Specifications *	
Model	290000, 300000
Spark Plug Gap	0.030 in (0.76 mm)
Spark Plug Torque	180 lb-in (20 Nm)
Armature Air Gap	0.008 - 0.012 in (0.20 - 0.30 mm)
Intake Valve Clearance	0.004 - 0.006 in (0.10 - 0.15 mm)
Exhaust Valve Clearance	0.004 - 0.006 in (0.10 - 0.15 mm)

Tune-up Specifications *	
Model	350000, 380000
Spark Plug Gap	0.030 in (0.76 mm)
Spark Plug Torque	180 lb-in (20 Nm)
Armature Air Gap	0.008 - 0.012 in (0.20 - 0.30 mm)
Intake Valve Clearance	0.004 - 0.006 in (0.10 - 0.15 mm)
Exhaust Valve Clearance	0.004 - 0.006 in (0.10 - 0.15 mm)

* Engine power will decrease 3.5% for each 1,000 feet (300 meters) above sea level and 1% for each 10° F (5.6° C) above 77° F (25° C). The engine will operate satisfactorily at an angle up to 15°. Refer to the equipment operator's manual for safe allowable operating limits on slopes.

Common Service Parts ✓

Service Part	Part Number
Air Filter - with fuel tank	393957
Air Filter - except model 380000	394018
Air Filter - model 380000	692519
Air Filter Pre-cleaner - with fuel tank	271794
Air Filter Pre-cleaner - except model 380000	272490
Air Filter Pre-cleaner - model 380000	692520
Oil - SAE 30	100028
Oil Filter - 6 cm long	492932
Oil Filter - 9 cm long	491056

Service Part	Part Number
Fuel Filter - with fuel tank	808116
Fuel Filter - with fuel pump	691035
Fuel Filter - without fuel pump	298090
Fuel Additive	5041
Resistor Spark Plug	491055
Long Life Platinum Spark Plug	5066
Spark Plug Wrench	19374
Spark Tester	19368

✓ We recommend that you see any Briggs & Stratton Authorized Dealer for all maintenance and service of the engine and engine parts.

LIMITED WARRANTY

Briggs & Stratton Corporation will repair or replace, free of charge, any part(s) of the engine that is defective in material or workmanship or both. Transportation charges on product submitted for repair or replacement under this warranty must be borne by purchaser. This warranty is effective for and is subject to the time periods and conditions stated below. For warranty service, find the nearest Authorized Service Dealer in our dealer locator map at BRIGGSandSTRATTON.COM, or by calling 1-800-233-3723, or as listed in the 'Yellow Pages'.

There is no other expressed warranty. Implied warranties, including those of merchantability and fitness for a particular purpose, are limited to one year from purchase, or to the extent permitted by law. All other implied warranties are excluded. Liability for incidental or consequential damages are excluded to the extent exclusion is permitted by law. Some states or countries do not allow limitations on how long an implied warranty lasts, and some states or countries do not allow the exclusion or limitation of incidental or consequential damages, so the above limitation and exclusion may not apply to you. This warranty gives you specific legal rights and you may also have other rights which vary from state to state and country to country.

STANDARD WARRANTY TERMS * ▲

Brand/Product Type	Consumer Use	Commercial Use
Vanguard™	2 years	2 years
Extended Life Series™; I/C®; Intek™ I/C®; Intek™ Pro; Professional Series™ with Dura-Bore™ Cast Iron Sleeve; 850 Series™ with Dura-Bore™ Cast Iron Sleeve; Snow Series MAX™ with Dura-Bore™ Cast Iron Sleeve All Other Briggs & Stratton Engines Featuring Dura-Bore™ Cast Iron Sleeve	2 years	1 year
All Other Briggs & Stratton Engines	2 years	90 days

* These are our standard warranty terms, but occasionally there may be additional warranty coverage that was not determined at time of publication. For a listing of current warranty terms for your engine, go to BRIGGSandSTRATTON.COM or contact your Authorized Briggs & Stratton Service Dealer.

▲ Engines used on Home Standby Generator applications are warranted under consumer use only. This warranty does not apply to engines on equipment used for prime power in place of a utility. **Engines used in competitive racing or on commercial or rental tracks are not warranted.**

The warranty period begins on the date of purchase by the first retail consumer or commercial end user, and continues for the period of time stated in the table above. "Consumer use" means personal residential household use by a retail consumer. "Commercial use" means all other uses, including use for commercial, income producing or rental purposes. Once an engine has experienced commercial use, it shall thereafter be considered as a commercial use engine for purposes of this warranty.

No warranty registration is necessary to obtain warranty on Briggs & Stratton Products. Save your proof of purchase receipt. If you do not provide proof of the initial purchase date at the time warranty service is requested, the manufacturing date of the product will be used to determine the warranty period.

About Your Warranty

Briggs & Stratton welcomes warranty repair and apologizes to you for being inconvenienced. Any Authorized Service Dealer may perform warranty repairs. Most warranty repairs are handled routinely, but sometimes requests for warranty service may not be appropriate.

If a customer differs with the decision of the Service Dealer, an investigation will be made to determine whether the warranty applies. Ask the Service Dealer to submit all supporting facts to his Distributor or the Factory for review. If the Distributor or the Factory decides that the claim is justified, the customer will be fully reimbursed for those items that are defective. To avoid misunderstanding which might occur between the customer and the Dealer, listed below are some of the causes of engine failure that the warranty does not cover.

Normal wear: Engines, like all mechanical devices, need periodic parts service and replacement to perform well. Warranty will not cover repair when normal use has exhausted the life of a part or an engine. Warranty would not apply if engine damage occurred because of misuse, lack of routine maintenance, shipping, handling, warehousing or improper installation. Similarly, warranty is void if the serial number of the engine has been removed or the engine has been altered or modified.

Improper maintenance: The life of an engine depends upon the conditions under which it operates, and the care it receives. Some applications, such as tillers, pumps and rotary mowers, are very often used in dusty or dirty conditions, which can cause what appears to be premature wear. Such wear, when caused by dirt, dust, spark plug cleaning grit, or other abrasive material that has entered the engine because of improper maintenance, is not covered by warranty.

This warranty covers engine related defective material and/or workmanship only, and not replacement or refund of the equipment to which the engine may be mounted. Nor does the warranty extend to repairs required because of:

- 1 Problems caused by parts that are not original Briggs & Stratton parts.
- 2 Equipment controls or installations that prevent starting, cause unsatisfactory engine performance, or shorten engine life. (Contact equipment manufacturer.)
- 3 Leaking carburetors, clogged fuel pipes, sticking valves, or other damage, caused by using contaminated or stale fuel.

- 4 Parts which are scored or broken because an engine was operated with insufficient or contaminated lubricating oil, or an incorrect grade of lubricating oil (check and refill when necessary, and change at recommended intervals). OIL GARD may not shut down running engine. Engine damage may occur if oil level is not properly maintained.
- 5 Repair or adjustment of associated parts or assemblies such as clutches, transmissions, remote controls, etc., which are not manufactured by Briggs & Stratton.
- 6 Damage or wear to parts caused by dirt, which entered the engine because of improper air cleaner maintenance, re-assembly, or use of a non-original air cleaner element or cartridge. At recommended intervals, clean and/or replace the filter as stated in the Operator's Manual.
- 7 Parts damaged by over-speeding, or overheating caused by grass, debris, or dirt, which plugs or clogs the cooling fins, or flywheel area, or damage caused by operating the engine in a confined area without sufficient ventilation. Clean engine debris at recommended intervals as stated in the Operator's Manual.
- 8 Engine or equipment parts broken by excessive vibration caused by a loose engine mounting, loose cutter blades, unbalanced blades or loose or unbalanced impellers, improper attachment of equipment to engine crankshaft, over-speeding or other abuse in operation.
- 9 A bent or broken crankshaft, caused by striking a solid object with the cutter blade of a rotary lawn mower, or excessive v-belt tightness.
- 10 Routine tune-up or adjustment of the engine.
- 11 Engine or engine component failure, i.e., combustion chamber, valves, valve seats, valve guides, or burned starter motor windings, caused by the use of alternate fuels such as, liquified petroleum, natural gas, altered gasolines, etc.

Warranty service is available only through authorized service dealers by Briggs & Stratton Corporation. Locate your nearest Authorized Service Dealer in our dealer locator map on BRIGGSandSTRATTON.COM or by calling 1-800-233-3723, or as listed in the 'Yellow Pages'.

California, U.S. EPA, and Briggs & Stratton Corporation Emissions Control Warranty Statement Your Warranty Rights And Obligations

The California Air Resources Board, U.S. EPA, and Briggs & Stratton (B&S) are pleased to explain the emissions control system warranty on your Model Year 2009 and later engine/equipment. In California, new small off-road engines and large spark ignited engines less than or equal to 1.0 liter must be designed, built, and equipped to meet the State's stringent anti-smog standards. B&S must warrant the emissions control system on your engine/equipment for the periods of time listed below provided there has been no abuse, neglect, or improper maintenance of your engine or equipment.

Your emissions control system may include parts such as the carburetor or fuel injection system, fuel tank, ignition system, and catalytic converter. Also included may be hoses, belts, connectors, sensors, and other emissions-related assemblies.

Where a warrantable condition exists, B&S will repair your engine/equipment at no cost to you including diagnosis, parts, and labor.

Manufacturer's Warranty Coverage:

Small off-road engines and large spark ignited engines less than or equal to 1.0 liter are warranted for two years. If any emissions-related part on your engine/equipment is defective, the part will be repaired or replaced by B&S.

Owner's Warranty Responsibilities:

- As the engine/equipment owner, you are responsible for the performance of the required maintenance listed in your owner's manual. B&S recommends that you retain all receipts covering maintenance on your engine/equipment, but B&S cannot deny warranty solely for the lack of receipts or your failure to ensure the performance of all scheduled maintenance.
- As the engine/equipment owner, you should however be aware that B&S may deny you warranty coverage if your engine/equipment or a part has failed due to abuse, neglect, improper maintenance, or unapproved modifications.
- You are responsible for presenting your engine/equipment to a B&S distribution center, servicing dealer, or other equivalent entity, as applicable, as soon as a problem exists. The warranty repairs should be completed in a reasonable amount of time, not to exceed 30 days. If you have any questions regarding your warranty rights and responsibilities, you should contact B&S at (414) 259-5262.

Briggs & Stratton Emissions Control Warranty Provisions

The following are specific provisions relative to your Emissions Control Warranty Coverage. It is in addition to the B&S engine warranty for non-regulated engines found in the Operator's Manual.

1. Warranted Emissions Parts

Coverage under this warranty extends only to the parts listed below (the emissions control systems parts) to the extent these parts were present on the engine purchased.

- Fuel Metering System
 - Cold start enrichment system (soft choke)
 - Carburetor and internal parts
 - Fuel pump
 - Fuel line, fuel line fittings, clamps
 - Fuel tank, cap and tether
 - Carbon canister
- Air Induction System
 - Air cleaner
 - Intake manifold
 - Purge and vent line
- Ignition System
 - Spark plug(s)
 - Magneto ignition system
- Catalyst System
 - Catalytic converter
 - Exhaust manifold
 - Air injection system or pulse valve
- Miscellaneous Items Used in Above Systems
 - Vacuum, temperature, position, time sensitive valves and switches
 - Connectors and assemblies

2. Length of Coverage

For a period of two years from date of original purchase, B&S warrants to the original purchaser and each subsequent purchaser that the engine is designed, built, and equipped so as to conform with all applicable regulations adopted by the Air Resources Board; that it is free from defects in material and workmanship that could cause the failure of a warranted part; and that it is identical in all material respects to the engine described in the manufacturer's application for certification. The warranty period begins on the date the engine is originally purchased.

The warranty on emissions-related parts is as follows:

- Any warranted part that is not scheduled for replacement as required maintenance in the owner's manual supplied, is warranted for the warranty period stated above. If any such part fails during the period of warranty coverage, the part will be repaired or replaced by B&S at no charge to the owner. Any such part repaired or replaced under the warranty will be warranted for the remaining warranty period.
 - Any warranted part that is scheduled only for regular inspection in the owner's manual supplied, is warranted for the warranty period stated above. Any such part repaired or replaced under warranty will be warranted for the remaining warranty period.
 - Any warranted part that is scheduled for replacement as required maintenance in the owner's manual supplied, is warranted for the period of time prior to the first scheduled replacement point for that part. If the part fails prior to the first scheduled replacement, the part will be repaired or replaced by B&S at no charge to the owner. Any such part repaired or replaced under warranty will be warranted for the remainder of the period prior to the first scheduled replacement point for the part.
 - Add on or modified parts that are not exempted by the Air Resources Board may not be used. The use of any non exempted add on or modified parts by the owner will be grounds for disallowing a warranty claim. The manufacturer will not be liable to warrant failures of warranted parts caused by the use of a non exempted add on or modified part.
- Consequential Coverage

Coverage shall extend to the failure of any engine components caused by the failure of any warranted emissions parts.
 - Claims and Coverage Exclusions

Warranty claims shall be filed according to the provisions of the B&S engine warranty policy. Warranty coverage does not apply to failures of emissions parts that are not original equipment B&S parts or to parts that fail due to abuse, neglect, or improper maintenance as set forth in the B&S engine warranty policy. B&S is not liable for warranty coverage of failures of emissions parts caused by the use of add-on or modified parts.

Look For Relevant Emissions Durability Period and Air Index Information On Your Small Off-Road Engine Emissions Label

Engines that are certified to meet the California Air Resources Board (CARB) small off-road Emissions Standard must display information regarding the Emissions Durability Period and the Air Index. Briggs & Stratton makes this information available to the consumer on our emissions labels. The engine emissions label will indicate certification information.

The **Emissions Durability Period** describes the number of hours of actual running time for which the engine is certified to be emissions compliant, assuming proper maintenance in accordance with the Operating & Maintenance Instructions. The following categories are used:

Moderate:

Engine is certified to be emissions compliant for 125 hours of actual engine running time.

Intermediate:

Engine is certified to be emissions compliant for 250 hours of actual engine running time.

Extended:

Engine is certified to be emissions compliant for 500 hours of actual engine running time. For example, a typical walk-behind lawn mower is used 20 to 25 hours per year.

Therefore, the **Emissions Durability Period** of an engine with an **intermediate** rating would equate to 10 to 12 years.

Briggs & Stratton engines are certified to meet the United States Environmental Protection Agency (USEPA) Phase 2 emissions standards. For Phase 2 certified engines, the Emissions Compliance Period referred to on the Emissions Compliance label indicates the number of operating hours for which the engine has been shown to meet Federal emissions requirements.

For engines less than 225 cc displacement.

Category C = 125 hours, Category B = 250 hours, Category A = 500 hours

For engines of 225 cc or more displacement.

Category C = 250 hours, Category B = 500 hours, Category A = 1000 hours

Обща информация

Това ръководство съдържа сведения за безопасна работа, за да сте наясно с аварията и опасностите, свързани с тези двигатели и как да ги избягвате. То съдържа и инструкции за правилната им употреба и поддръжка. Тъй като в Корпорация Briggs & Stratton не биха могли да знаят каква машина ще се задвижва с този двигател, важно е да прочетете и разберете тези инструкции и инструкциите за задвижваната машина. **Запишете тези оригинални инструкции за бъдещи справки.**

За резервни части или техническа помощ запишете отдолу модела на двигателя, типа и кодовите номера с датата на купуването му. Тези номера се намират върху двигателя ви. (направете справка на страницата с раздел **Елементи и Управления**).

Дата на купуване: _____

MM/DD/YYYY

Модел на двигателя: _____

Модел: Тип: Код:

Информация за номиналната мощност на двигателите

Пълната мощност върху отделните модели бензинови двигатели е отбелязана в съответствие със създадения от SAE (Дружество на инженерите от автомобилната промишленост и транспорта) Правилник за техническа експлоатация J1940 (Методика за определяне на номиналната мощност и въртящия момент на малки двигатели), а номиналната им мощност бе получена и коригирана в съответствие с версията на Правилника за техническа експлоатация J1995 на SAE (Редакция от 2002-05 г.). Стойностите на въртящия момент са изведени при 3060 об/мин.; стойностите на мощността — при 3600 об/мин. Действителната пълна мощност на двигателите ще бъде по-ниска и се влияе, между другото, от околната среда, в която оборудването се експлоатира и от характеристиките на всеки отделен двигател. При широкия набор от машини, върху които се поставят двигателите и при разнообразието на екологичните изисквания, в която оборудването работи, бензиновият двигател няма да развие указаната от производителя пълна мощност, когато е монтиран на дадено енергийно оборудване (действителната мощност "на обекта" или ефективната мощност). Тази разлика се дължи на голям брой фактори, включително на аксесоарите към двигателя (въздушен филтър, ауслух, система за зареждане, система за охлаждане, карбуратор, горивна помпа и т. н.), на характерните ограничения за използването му, на условията в околната среда, в която двигателят работи (температура, влажност, надморска височина), на различията във всеки отделен двигател. Поради технологични и производствени ограничения фирмата Briggs & Stratton може да замени даден двигател с по-висока номинална мощност с двигател от тези серии.

Техника за безопасност на оператора

СИМВОЛИ ЗА БЕЗОПАСНОСТ И УПРАВЛЕНИЕ



Предупредителният символ за опасност определя предпазителна информация за рискове, които могат да доведат до нараняване на персонала. Сигнализираща дума (ОПАСНО, ПРЕДУПРЕЖДЕНИЕ или ВНИМАНИЕ) се поставя заедно с предупредителен символ, за да посочи вероятността и потенциалната сериозност на нараняването. Допълнително, един символ за опасност може да показва вида на опасността.

ОПАСНО посочва опасност, която, ако не бъде избегната, ще доведе до смърт или сериозно нараняване.

ПРЕДУПРЕЖДЕНИЕ посочва опасност, която, ако не бъде избегната, може да доведе до смърт или сериозно нараняване.

ВНИМАНИЕ посочва опасност, която, ако не бъде избегната, може да доведе до малка или средна степен на нараняване.
ПРЕДУПРЕЖДЕНИЕ посочва ситуация, която би могла да доведе до повреждане на продукта.

ПРЕДУПРЕЖДЕНИЕ

Някои от съставните елементи на този продукт и свързаните с тях приспособления съдържат химични вещества, известни в щата Калифорния като причинители на рак, увреда на новородените или други увреди на репродуктивната способност. След работа с тях, измивайте ръцете си.

ПРЕДУПРЕЖДЕНИЕ

Изгорелите газове от този двигател съдържат химически съединения, известни на щата Калифорния като причинители на рак, увреждания при раждане, или други увреждания, свързани с репродуктивността.

ПРЕДУПРЕЖДЕНИЕ

Корпорация Briggs & Stratton не одобрява и не позволява използването на тези двигатели върху всъеходи на 3 колела, мотоциклети, увеселителни колички/картинг, летателни апарати или транспортни средства за участие в състезателни мероприятия. Използването на тези двигатели на такива машини може да доведе до материални щети, сериозни наранявания (включително парализа) и дори до смърт.

ПРЕДУПРЕЖДЕНИЕ: Настоящият двигател се доставя от Briggs & Stratton без масло. Преди да стартирате двигателя се уверете, че сте налили масло в него според инструкциите в това ръководство. Ако го стартирате без масло, той ще се повреди, без да бъде възможно да се ремонтира и без покритие от гаранцията.

ПРЕДУПРЕЖДЕНИЕ

Горивото и неговите пари са изключително огнеопасни и избухливи.
 Пожар или взрив могат да причинят сериозни обгаряния или смърт.

При доливане на гориво

- Изключете двигателя и го оставете да се охлади най-малко 2 минути, преди да свалите капачката на резервоара за гориво.
- Пълнете резервоара за гориво на открито или в добре вентилирано помещение.
- не препълвайте резервоара за гориво. За да позволите разширение на бензина, не пълнете над долната основа на гърловината за наливане на гориво.
- Дръжте горивото далеч от искри, открити пламъци, сигнални лампи, топлина и други запалителни източници.
- Проверявайте често горивопроводите, резервоара, капачката и съединенията за пукнатини или течове. Заменете ги, ако е необходимо.
- Ако горивото се разлее, изчакайте докато то се изпари, преди да стартирате двигателя.

При стартиране на двигателя

- Уверете се, че запалителната свещ, шумозаглушителя, капачката на резервоара за гориво и въздушния филтър (ако има такива) са на мястото си и са обезопасени.
- Не развъртайте двигателя с извадена запалителна свещ.
- Ако двигателят се задави, поставете смукача (ако има такъв) на позиция OPEN/RUN, придвижете ръчната газ (ако има такава) на позиция FAST и развъртайте, докато двигателят стартира.

При работеща машина

- Не наклонявайте двигателя или машината под ъгъл, който води до разливане на горивото.
- Не запушвайте камерата на карбуратора, за да спрете двигателя.
- Никога не стартирайте и не работете с двигателя при отстранен комплект на въздушния филтър (ако има такъв) или при отстранен въздушен филтър (ако има такъв).

При смяна на маслото

- Ако източвате маслото от горната тръба за пълнене с масло, резервоарът за гориво трябва да бъде празен, или то може да потече и да причини пожар или експлозия.

При транспортиране на машината

- Транспортирайте с ПРАЗЕН резервоар, или с кран за подаване на гориво на позиция OFF.

При складиране на гориво или на машина с гориво в резервоара

- Складирайте далеч от пещи, печки, водонагреватели или други електрически прибори, които имат сигнални лампи или други запалителни източници, защото те могат да възпламенят изпаренията от горивото.



ПРЕДУПРЕЖДЕНИЕ



Пускането на двигателя създава искрене.
Искренето може да възпламени намиращите се наоколо запалими газове.

Това може да доведе до експлозия и пожар.

- Ако има изтичане на природен или втечен газ пропан в помещението, не стартирайте двигателя.
- Не използвайте горива за начално запалване под налягане, защото парите им са запалителни.



ПРЕДУПРЕЖДЕНИЕ



Двигателите изпускат въглероден окис, който е отровен газ, без мирис и цвят.

Вдишването на въглероден окис може да причини гадене, припадък или смърт.

- Стартирайте и работете с двигателя навън.
- Не стартирайте и не работете с двигателя в затворено помещение, дори и при отворени врати или прозорци.



ПРЕДУПРЕЖДЕНИЕ



Бързото притегляне на пусковото въже (обратен удар) придържа ръката към двигателя по-бързо, отколкото вие можете да я отдърпнете.

Това може да причини счупени кости, фрактури, контузии и навяхвания.

- При стартиране на двигателя, изтеглете внимателно въжето на ръчния стартер, докато усетите съпротивление, а след това дръпнете рязко, за да избегнете обратния удар.
- Изключете всяко външно оборудване/задвижвано от двигателя, преди да го стартирате.
- Директно прикачените към двигателя машинни елементи като ножове, перки, лебедки, зъбни колела, задвижващи вериги и други, трябва да бъдат сигурно прикрепени.



ПРЕДУПРЕЖДЕНИЕ



Въртящите се части могат да допрат или захванат ръце, крака, коса, облекло или принадлежности.

Може да се достигне до травматична ампутация или сериозно нараняване.

- Работете с двигателя при поставени защитни капаци.
- Дръжте ръцете и краката си далеч от въртящи се части.
- Привързвайте дългите коси и сваляйте украшенията.
- Не носете по себе си широко облекло, висящи шнурове или вещи, които могат да бъдат захванати.



ПРЕДУПРЕЖДЕНИЕ



Работещите двигатели отделят топлина. Частите на двигателите, особено шумозаглушителя, стават изключително горещи.

При допир може да получите сериозно изгаряне.



Горимите отпадъци, като листа, треви, хресталак и други, могат да се запалят.

- Оставете шумозаглушителя, цилиндъра на двигателя и ребрата да се охладят, преди да ги докосвате.
- Отстранете натрупаните отломки около шумозаглушителя и цилиндъра.
- Използването или работата с двигателя, по залесени с гори, храсти или с треви площи, според Правилника на Калифорния за обществените ресурси, Раздел 4442, представлява нарушение, освен ако двигателят не е снабден с искрогасител, поддържан в ефикасно работно състояние, както е определено в Раздел 4442. В другите щати и федерални юрисдикции може да има подобни закони. Свържете се с производителя, продавача на дребно или дистрибутора на оригиналното съоръжение, за да получите искрогасител, проектиран за монтираната на този двигател изпускателна система.



ПРЕДУПРЕЖДЕНИЕ



Случайно искрене може да доведе до пожар или поразяване от електрически ток.



Неволно стартиране може да доведе до захващане, травматична ампутация или до раняване.



Опасност от пожар

Преди извършване на регулировки и поправки:

- Откачете кабела на запалителната свещ и го дръжте далеч от нея.
- Откачете минус-клемата на акумулатора (само при двигатели с електрически стартер).
- Използвайте само подходящи инструменти.
- Не застопорявайте с регулиращата пружина, лостовите системи или с други части, за да повишите оборотите на двигателя.
- Резервните части трябва да бъдат със същата конструкция и да се монтират в същото положение, както оригиналните части. Части от друг производител може да не работят добре, може да повредят агрегата или да доведат до нараняване.
- Не удряйте маховика с чук или твърд предмет, защото той може да се строши по време на работа.

При изпробване за искра:

- Използвайте одобрен тип тестер за свещи.
- Не правете проверка за искра при извадена запалителна свещ.

Елементи и управления

Сравнете илюстрацията **1** с вашия двигател, за да се запознаете с разположението на различните елементи и управления.

- A. Маркировка на двигателя
Модел Тип Код
- B. Запалителна свещ
- C. Въздушен филтър (без резервоар за гориво)
- D. Въздушен филтър, (с резервоар за гориво)
- E. Нивоказател
- F. Отвор за наливане на масло
- G. Маслен филтър (по опция)
- H. Пробка за източване на маслото
- I. Датчик за налягане на маслото
- J. Предпазител за пръсти
- K. Електрически стартер
- L. Ръчен стартер (по опция)
- M. Карбуратор
- N. Шумозаглушител (по опция)
- O. Помпа за подаване на горивото
- P. Стартерен ключ *
- Q. Ръчна газ *
- R. Управление на смукача *
- S. Филтър за гориво (по опция)
- T. Резервоар за гориво (по опция)
- U. Спиране на горивото (по опция) *
- V. Стоп-ключ (по опция) *
- W. Охладител на маслото (по опция)

* Някои двигатели и оборудване са снабдени с устройства за дистанционно управление. Направете справка в Ръководството за работа с оборудването за разположението и работата с устройствата за дистанционно управление.

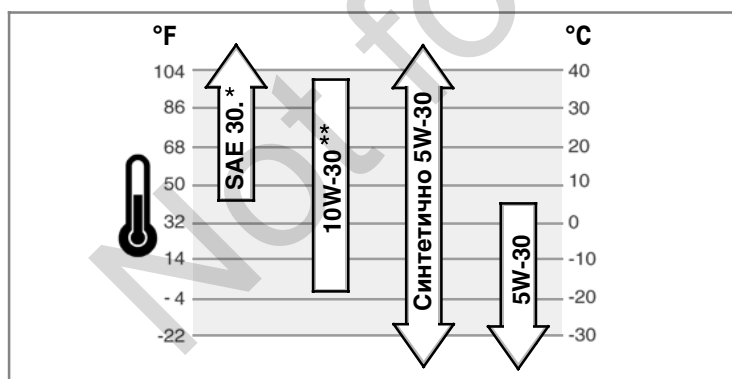
Работа

Вместимост за масло (направете справка в раздел **Технически данни**)

Препоръки за маслото

За получаване на най-добри технически показатели препоръчваме използването на маслата на Briggs & Stratton с гаранция и сертификата за качество. Други висококачествени масла с миелци присадки са приемливи, ако са класифицирани за работни режими SF, SG, SH, SJ или по-високи. Да не се използват специални добавки.

Външните температури определят правилния вискозитет на маслото за двигателя. Използвайте таблицата, за да изберете най-добрия вискозитет за очаквания диапазон на външните температури.



* Ако при температури под 40°F (4°C) се използва масло SAE 30, това ще доведе до трудно стартиране на двигателя.

** При температури над 80°F (27°C) използването на масло 10 W-30 може да повиши консумацията на масло. Проверявайте по често нивото му.

Как се проверява/налива масло - Фигура **2**

Преди наливане или проверяване на маслото

- Разположете хоризонтално двигателя.
- Почистете мястото около отвор за наливане на масло от всички отломки.

bg

1. Свалете нивоказателя за маслото (A) и го избършете с чист плат (Фигура 2).
2. Напълно вмъкнете нивоказателя за горивото.
3. Свалете нивоказателя и проверете нивото на маслото. То трябва да бъде до най-високия знак за напълване (B) на нивоказателя.
4. Ако е ниско, налейте внимателно масло през отвора за пълнене (C). **Не препълвайте.** След наливане на масло, изчакайте една минута и после пак проверете нивото му.
5. Напълно вмъкнете нивоказателя за горивото.

Налягане на маслото

Ако нивото на маслото е много ниско един датчик за налягане (ако има такъв), или ще спре двигателя, или ще задейства аларменото му устройство. Ако това се случи, спрете двигателя и проверете нивото на маслото с нивоказателя.

Ако нивото на маслото е под маркировката ADD, добавете масло, докато достигне маркировката FULL. Стартирайте двигателя и проверете налягането, преди да продължите да работите.

Ако нивото на маслото е между маркировките ADD и FULL **не стартирайте** двигателя. Обърнете се към Упълномощен представител на Briggs & Stratton, за да отстраните проблема с налягането на маслото.

Препоръки за горивото

Горивото трябва да отговаря на следните изисквания:

- Чист, пресен, безоловен бензин.
- Минимално октаново число от 87/87 AKI (91 RON). За голяма надморска височина, вижте по-долу.
- Бензин със съдържание на не повече от 10% етанол (бензоспирт) или до 15% МТВЕ (три-метил бутилов етер) е приемлив.

ПРЕДУПРЕЖДЕНИЕ: Не използвайте неодобрени бензини като E85. Не смесвайте бензина с масло, не го модифицирайте за работа с алтернативни горива. Това ще повреди компонентите на двигателя и **ще анулира гаранцията му.**

За да предпазите горивната система от образуване на смоли, добавете стабилизатор в горивото. Направете справка в **Складиране**. Горивата не са едни същи. Ако настъпи проблем със стартирането или техническите показатели, сменете доставчиците или марките на горивото. Настоящият двигател има сертификата за работа с бензин. Системата за борба с вредните емисии за този двигател е EM (Модификации на двигателите).

Голяма надморска височина

При надморски височини над 5000 фута (1524 метра), бензин с минимално октаново число 85/85 AKI (89 RON), е приемлив. За да остане съвместим с изискванията за нивото на емисиите, се налага настройка на двигателя в съответствие с голямата надморска височина. Работата без такава настройка ще доведе до понижаване на техническите показатели, повишаване на консумацията на гориво и увеличени вредни емисии. Направете справка при Упълномощен представител на Briggs & Stratton за сведения относно настройката за голяма надморска височина.

Не се препоръчва работа на двигателя с регулиращ комплект за голяма надморска височина при височини под 2500 фута (762 метра).

Как се налива масло - Фигура **3**



ПРЕДУПРЕЖДЕНИЕ



Горивото и неговите пари са изключително огнеопасни и избухливи.



Пожар или взрив могат да причинят сериозни обгаряния или смърт.

При доливане на гориво

- Изключете двигателя и го оставете да се охлади най-малко 2 минути, преди да свалите капачката на резервоара за гориво.
- Пълнете резервоара за гориво на открито или в добре вентилирано помещение.
- не препълвайте резервоара за гориво. За да позволите разширение на бензина, не пълнете над долната основа на гърловината за наливане на гориво.
- Дръжте горивото далеч от искри, открити пламъци, сигнални лампи, топлина и други запалителни източници.
- Проверявайте често горивопроводите, резервоара, капачката и съединенията за пукнатини или течове. Заменете ги, ако е необходимо.
- Ако горивото се разлее, изчакайте докато то се изпари, преди да стартирате двигателя.

1. Почистете пространството около капачката на резервоара за гориво от мръсотия и наслоявания. Свалете капачката (A, Фигура 3).
2. Напълнете резервоара за гориво (B) с гориво. За да позволите разширение на горивото, не пълнете над долната основа на гърловината за наливане на гориво (C).
3. Поставете обратно капачката.

Как се стартира двигателя - Фигура 4



ПРЕДУПРЕЖДЕНИЕ



Бързото притегляне на пусковото въже (обратен удар) придържа ръката към двигателя по-бързо, отколкото вие можете да я отдръпнете.

Това може да причини счупени кости, фрактури, контузии и навяхвания.

- При стартиране на двигателя, изтеглете внимателно въжето на ръчния стартер, докато усетите съпротивление, а след това дръпнете рязко, за да избегнете обратния удар.



ПРЕДУПРЕЖДЕНИЕ



Горивото и неговите пари са изключително огнеопасни и избухливи.



Пожар или взрив могат да причинят сериозни обгаряния или смърт.

При стартиране на двигателя

- Уверете се, че запалителната свещ, шумозаглушителя, капачката на резервоара за гориво и въздушния филтър (ако има такива) са на мястото си и са обезопасени.
- Не развъртайте двигателя с извадена запалителна свещ.
- Ако двигателят се задави, поставете смукача (ако има такъв) на позиция OPEN/RUN, придвижете ръчната газ (ако има такава) на позиция FAST и развъртайте, докато двигателят стартира.



ПРЕДУПРЕЖДЕНИЕ



Двигателите изпускат въглероден окис, който е отровен газ, без мирис и цвят.

Вдишването на въглероден окис може да причини гадене, припадък или смърт.

- Стартирайте и работете с двигателя навън.
- Не стартирайте и не работете с двигателя в затворено помещение, дори и при отворени врати или прозорци.

ПРЕДУПРЕЖДЕНИЕ: Настоящият двигател се доставя от Briggs & Stratton без масло. Преди да стартирате двигателя се уверете, че сте налили масло в него според инструкциите в това ръководство. Ако го стартирате без масло, той ще се повреди без да бъде възможно да се ремонтира и гаранцията няма да покрива щетата.

Забележка: Някои двигатели и оборудване са снабдени с устройства за дистанционно управление. Направете справка в Ръководството за работа с оборудването за разположението и работата с устройствата за дистанционно управление.

1. Проверете нивото на маслото. Направете справка в раздела **Как се проверява/налива масло**.
2. Уверете се, че управленията на съоръжението, ако има такива, са изключени.
3. Завъртете кранчето за подаване на гориво (A), ако има такова, на позиция "оп" (Фигура 4).
4. Натиснете стоп ключа (F), ако има такъв, до позиция оп (вкл.).

5. Преместете лоста на ръчната газ (B) на позиция за бързи обороти

Работете с двигателя при позиция

6. Преместете лоста на смукача (C) газ на позиция смукач

Забележка: Обикновено смукачът не е необходим при повторно стартиране на топъл двигател.

7. **Ръчен стартер:** Завъртете ключа на двигателя (D), ако има такъв, на позиция гуп (работен режим).

8. **Ръчен стартер:** Здраво дръжте ръкохватката на въжето на стартера (E). Изтеглете бавно ръкохватката на въжето на стартера, докато почувствате съпротивление, след което го дръпнете рязко.

Забележка: Ако двигателят не стартира след повтарящи се опити, идете на интернет адрес **BRIGGSandSTRATTON.COM** или се обадете на **1-800-233-3723** (в САЩ).



ПРЕДУПРЕЖДЕНИЕ:

Бързото оттегляне на въжето на стартера (обратен удар) ще притегли цялата ви ръка към двигателя по-бързо, отколкото вие можете да я оттеглите. Това би могло да доведе до счупени кости, фрактури, навяхвания и контузии. При стартиране на двигателя изтеглете бавно въжето на стартера, докато почувствате съпротивление, след което го дръпнете рязко, за да избегнете обратния удар.

9. **Електрически стартер:** Завъртете ключа (D) за електрическия стартер на позиция on/start (вкл./старт).

Забележка: Ако двигателят не стартира след повтарящи се опити, идете на интернет адрес **BRIGGSandSTRATTON.COM** или се обадете на **1-800-233-3723** (в САЩ).

ПРЕДУПРЕЖДЕНИЕ: За да продължите живота на стартера, използвайте кратки стартови цикли (пет секунди максимум). Изчаквайте една минута между отделните стартови цикли.

10. Щом двигателят загрее, поставете лоста на смукача (C) на позиция гуп (работен режим)

Как да спрете двигателя - Фигура 4



ПРЕДУПРЕЖДЕНИЕ



Горивото и неговите пари са изключително огнеопасни и избухливи.



Пожар или взрив могат да причинят сериозни обгаряния или смърт.

- Не запушвайте камерата на карбуратора, за да спрете двигателя.

1. Преместете лоста на ръчната газ (B) на позиция за бавни
2. Натиснете стоп ключа (F), ако има такъв, до позиция off (изкл.).
3. След спиране на двигателя, завъртете кранчето за подаване на горивото (A), ако има такова, на затворено положение.

Техническо обслужване

Ние ви препоръчваме да посетите Оторизиран сервизен представител на Briggs & Stratton за всички операции по техническото и сервизното обслужване на двигателя и резервните части.

ПРЕДУПРЕЖДЕНИЕ: Всички компоненти, използвани при производството на този двигател, трябва да бъдат на мястото си за правилната му работа.

Контрол на емисиите

Поддръжката, смяната или ремонтът на устройствата за контрол на вредните емисии могат да бъдат извършвани от всеки ремонтен цех или техник, ремонтиращи двигатели, които не се използват за транспортни цели. Все пак, за да получите "безплатно" обслужване на устройствата за контрол на вредните емисии, работата трябва да бъде извършена от упълномощен заводски представител. Направете справка в Гаранцията относно вредните емисии.



ПРЕДУПРЕЖДЕНИЕ



Случайно искрене може да доведе до пожар или поразяване от електрически ток.



Неволно стартиране може да доведе до захващане, травматична ампутация или до раняване.



Опасност от пожар



Преди извършване на регулировки и поправки:

- Откачете кабела на запалителната свещ и го дръжте далеч от нея.
- Откачете минус-клемата на акумулатора (само при двигатели с електрически стартер).
- Използвайте само подходящи инструменти.
- Не застопорявайте с регулиращата пружина, лостовите системи или с други части, за да повишите оборотите на двигателя.
- Резервните части трябва да бъдат със същата конструкция и да се монтират в същото положение, както оригиналните части. Части от друг производител може да не работят добре, може да повредят агрегата или да доведат до нараняване.
- Не удряйте маховика с чук или твърд предмет, защото той може да се строши по време на работа.

При изпробване за искра:

- Използвайте одобрен тип тестер за свещи.
- Не правете проверка за искра при извадена запалителна свещ.

График за техническо обслужване

След първите 5 часа

- Да се сменя маслото!

На всеки 8 часа или ежедневно

- Да се проверява нивото на маслото в двигателя
- Да се почистват повърхностите около шумозаглушителя и управлението.

На всеки 100 часа или ежегодно

- Да се почиства въздушния филтър *
- Да се почиства предфилтъра (ако има такъв) *
- Да се сменя маслото и филтъра
- Да се сменя запалителната свещ
- Да се преглеждат шумозаглушителя и искрогасителя
- Да се проверят междината на клапаните **

На всеки 400 часа или ежегодно

- Да се сменя въздушния филтър
- Да се сменя филтъра за гориво
- Да се почисти въздушната охладителна система *
- Да се почистват пластините на охладителя на маслото *

* При наличие на запрашеност или носещи се в околното пространство отломки, да се почиства по-често.

** Не се налага, освен ако не бъдат забелязани проблеми с техническите показатели на двигателя.

Регулиране на карбуратора

Никога не правете настройки на карбуратора. Карбураторът е регулиран в завода да работи ефективно при повечето околни условия. Все пак, ако се налагат настройки, се обърнете към Упълномощен сервизен на Briggs & Stratton.

ПРЕДУПРЕЖДЕНИЕ: Производителят на оборудването, на което този двигател ще бъде монтиран, определя максималните обороти, при които ще работи двигателят. **Не надвишавайте** тези обороти.

Как се сменя запалителната свещ - Фигура 5

Проверявайте междината (А, Фигура 5) с помощта на калибър за тел (В). Ако е необходимо, регулирайте междината. Монтирайте и затегнете свещта с препоръчвания въртящ момент. За регулиране на междината или относно въртящия момент за затягане, направете справка в раздел **Технически данни**.

Забележка: На някои места, местният закон изисква употреба на резисторна свещ, за да се подтиснат радиосмущенията. Ако настоящият двигател е фабрично оборудван с резисторна свещ, използвайте същия тип свещ за смяна.

Проверявайте шумозаглушителя и искрогасителя - Фигура 6



ПРЕДУПРЕЖДЕНИЕ



Работещите двигатели отделят топлина. Частите на двигателите, особено шумозаглушителя, стават изключително горещи.



При допир може да получите сериозно изгаряне.



Горимите отпадъци, като листа, треви, хрсталак и други, могат да се запалят.

- Оставете шумозаглушителя, цилиндъра на двигателя и ребрата да се охладят, преди да ги докосвате.
- Отстранете натрупаните отломки около шумозаглушителя и цилиндъра.
- Да се използва или работи с двигателя в земи, покрити с гора, храсти или трева е нарушение на Правилника за обществените ресурси в Калифорния, Раздел 4442, освен ако той не е оборудван с искрогасител, поддържан в ефективно работно състояние, както разпорежда Раздел 4442. Възможно е други щати или други юрисдикции да имат подобни закони. Свържете се със производител на оригиналното оборудване, с продавач на дребно или дилър, за да си набавите искрогасител, проектиран за изпускателната система на този двигател.

Отстранете натрупаните отломки от пространствата около шумозаглушителя и цилиндъра. Проверете шумозаглушителя (А, Фигура 6) за пукнатини, корозия или друга повреда. Демонтирайте искрогасителя (В), (ако има такъв) и го проверете за повреда или запушване със сажди. Ако откриете повреда, монтирайте резервните части, преди да започнете работа.



ПРЕДУПРЕЖДЕНИЕ: Резервните части трябва да бъдат със същата конструкция и да се монтират в същото положение, както оригиналните части. Части от друг производител може да не работят добре, може да повредят агрегата или да доведат до нараняване.

Как се сменява маслото - Фигура 8 9

Отработилото масло е опасен отпадъчен продукт и трябва да се складира по подходящ начин. Не го изхвърляйте с домакинските отпадъци. Проверете съвместно с общинските власти, за обслужващ център или за представител на инсталации за безопасно депониране/рециклиране на отработилото масло.

Източете отработилото масло

- При изключен, но все още топъл двигател, откачете кабела на запалителната свещ (А) и го дръжте на разстояние от свещта (Фигура 8).
- Свалете пробката от отвора за източване на маслото (В, Фигура 9). Източете го в подходящ контейнер.
- След като маслото е източено, поставете и затегнете пробката.

Смяна на маслен филтър (ако има такъв)

Някои модели имат маслен филтър. Относно интервалите за смяната му направете справка в картата **Техническо обслужване**.

- Източване на маслото от двигателя. Направете справка в раздел **Източване на маслото**.
- Свалете масления филтър (С) и го депонирайте по подходящия начин. Вижте на Фигура 9.
- Преди да монтирате новия маслен филтър, леко смажете филтърната гарнитура с ново, чисто масло.
- Монтирайте масления филтър на ръка, докато гарнитурата опре във филтърния адаптер, след което го затегнете с още 1/2 до 3/4 оборота.
- Наливане на масло. Направете справка в раздел **Наливане на масло**.
- Стартирайте и оставете двигателя да работи. Щом загрее, проверете го за течове на масло.
- Спрете двигателя и проверете нивото на маслото. То трябва да бъде до най-високия знак за напълване (F) на нивопоказателя (Фигура 8).

Наливане на масло

- Разположете хоризонтално двигателя.
 - Почистете мястото около отвора за наливане на масло от всички отломки.
 - Направете справка в раздел **Технически данни** относно вместимостта за маслото.
- Свалете нивопоказателя за маслото (D) и го избършете с чист плат (Фигура 8).
 - Налейте внимателно маслото през отвора за пълнене (E). **Не препълвайте.** След наливането на маслото, изчакайте една минута и после отново проверете нивото му.
 - Монтирайте и затегнете нивопоказателя.
 - Свалете нивопоказателя и проверете нивото на маслото. То трябва да бъде до най-високия знак за напълване (F) на нивопоказателя.
 - Монтирайте и затегнете нивопоказателя.

Как да се обслужва въздушния филтър - Фигура 11 12



ПРЕДУПРЕЖДЕНИЕ



Горивото и неговите пари са изключително огнеопасни и избухливи.

Пожар или взрив могат да причинят сериозни обгаряния или смърт.

- Никога не стартирайте и не работете с двигателя при отстранен комплект на въздушния филтър (ако има такъв) или при отстранен въздушен филтър (ако има такъв).

ПРЕДУПРЕЖДЕНИЕ: Не използвайте състен въздух или разтворители, за да почистите филтъра. Състеният въздух може да повреди филтъра, а разтворителите го разтварят.

Показани са два типа системи на въздушен филтър. Направете справка относно изискванията за сервизно обслужване в **Картата за техническото обслужване**.

- Модели без резервоар за гориво:** Отворете фиксаторите (A) и свалете капака (B). Вижте Фигура 11.
- Модели с резервоар за гориво:** Свалете перчатката гайка (C) и капака (B). Вижте Фигура 12.
- Свалете гайката (D) и скобата (E). Вижте Фигура 11 и 12.
- Свалете въздушния филтър (F).
- Ако има предфилтър (G), свалете го от въздушния филтър.
- За да отстраните наслояванията, внимателно почуквайте въздушния филтър върху твърда повърхност. Ако е прекалено замърсен, сменете го с нов филтър.
- Промийте предфилтъра във воден разтвор на почистващ препарат. Оставете го добре да се изсуши на въздух. **Не** смазвайте предфилтъра.
- Монтирайте изсушения предфилтър към въздушния филтър.
- Монтирайте въздушния филтър и го закрепете със скобата и гайката.
- Монтирайте и затегнете капака.

Как се сменя филтъра за гориво - Фигура 7



ПРЕДУПРЕЖДЕНИЕ



Горивото и неговите пари са изключително огнеопасни и избухливи.

Пожар или взрив могат да причинят сериозни обгаряния или смърт.

- Дръжте горивото далеч от искри, открити пламъци, сигнални лампи, топлина и други запалителни източници.
- Проверявайте често горивопроводите, резервоара, капачката и съединенията за пукнатини и течове. Заменяйте ги ако е необходимо.
- Преди смяна на филтъра за гориво, източете резервоара за гориво или затворете кранчето за подаване на гориво.
- Резервните части трябва да бъдат със същото качество и да се монтират в същата позиция, както оригиналните части.
- Ако горивото се разлее, изчакайте докато то се изпари, преди да стартирате двигателя.

- Преди смяна на филтъра за гориво (A, Фигура 7), ако има такъв, източете резервоара за горивото или затворете кранчето за подаване на гориво. B

- противен случай, горивото може да протече, създавайки опасност от пожар или експлозия.
- Използвайте плоски клещи да притиснете пластините (B) на скобите (C), след това плъзнете скобите настрана от филтъра за гориво. Усучете и изтеглете горивопроводите (D) от филтъра за гориво.
 - Проверете горивопроводите за пукнатини или течове. Заменете ги, ако е необходимо.
 - Сменете филтъра за гориво с оригинален резервен филтър.
 - Закрепете горивопроводите със скоби, както е показано.

Забележка: Двигателите, оборудвани със резервоар за гориво, монтиран в завода, може да има филтърна цедка за горивото (E), вижте Фигура 3.

Как се почиства въздушно-охладителната система - Фигура 10



ПРЕДУПРЕЖДЕНИЕ



Работещите двигатели отделят топлина. Частите на двигателя, особено шумозаглушителя, стават изключително горещи.



При допир може да получите сериозно изгаряне.

Горимите отпадъци, като листа, треви, храсталак и други, могат да се запалят.

- Оставете шумозаглушителя, цилиндъра на двигателя и ребрата да се охладят, преди да ги докосвате.
- Отстранете натрупаните отломки около шумозаглушителя и цилиндъра.

ПРЕДУПРЕЖДЕНИЕ: Не използвайте вода, за да почистите двигателя. Водата може да замърси горивната система. Използвайте четка или сух плат, за да го почистите.

Това е двигател с въздушно охлаждане. Нечистотиите и наслояванията могат да ограничат въздушния поток и да причинят прегряването му, което води до намаляване на показателите и продължителността на живота му.

Използвайте четка или сух плат, за да отстраните наслояванията от предпазителя на пръстите (A). Пазете чисти лостовата система, пружините и управлението (B). Пазете пространството около и зад шумозаглушителя (C) свободно от всякакви запалими наслоявания (Фигура 10). Убедете се, че пластините за охлаждане на маслото (D) са почистени от замърсяване и наслоявания.

Складиране



ПРЕДУПРЕЖДЕНИЕ



Горивото и неговите пари са изключително огнеопасни и избухливи.



Пожар или взрив могат да причинят сериозни обгаряния или смърт.

При складиране на гориво или на машина с гориво в резервоара

- Складирайте далеч от пещи, печки, водонагреватели или други електрически прибори, които имат сигнални лампи или други запалителни източници, защото те могат да възпламенят изпаренията от горивото.

Горивна система

Горивото остарява след складиране за повече от 30 дни. Остарялото гориво води до образуване на киселинни и смолисти отложения в горивната система или по основните части на карбуратора. За да запазите горивото свежо, използвайте стабилизатора за гориво FRESH START® на Briggs & Stratton, който е достъпен под формата течна добавка или флакон за капково подаване.

Ако се добавя стабилизатора за горивото съгласно инструкциите, няма нужда бензинът да се източва. Оставете двигателят да работи около 2 минути, за да циркулира стабилизаторът в горивната система. Тогава двигателят и горивото могат да се съхраняват до 24 месеца.

Ако бензинът в двигателя не е бил обработван със стабилизатор, той трябва да бъде източен в подходящ за целта съд. Оставете двигателят да работи, докато спре поради изчерпване на горивото. За да поддържате свежестта на горивото при складирането му, препоръчваме използването на стабилизатор.

Маслото на двигателя

Докато двигателят е все още топъл сменете маслото.

Откриване и отстраняване на неизправности

Нуждаете ли се от помощ? Посетете BRIGGSandSTRATTON.COM или се обадете на 1-800-233-3723.

Технически данни

Спецификации за двигателя	
Модел	290000
Работен обем	29,23 in ³ (479 cm ³)
Вътрешен диаметър на цилиндъра	2,677 in (68 mm)
Работен ход на буталото	2,598 in (66 mm)
Вместимост за масло	46 - 48 oz (1,36 - 1,42 l)

Спецификации за двигателя	
Модел	300000
Работен обем	29,23 in ³ (479 cm ³)
Вътрешен диаметър на цилиндъра	2,677 in (68 mm)
Работен ход на буталото	2,598 in (66 mm)
Вместимост за масло	46 - 48 oz (1,36 - 1,42 l)

Спецификации за двигателя	
Модел	350000
Работен обем	34,78 in ³ (570 cm ³)
Вътрешен диаметър на цилиндъра	2,835 in (72 mm)
Работен ход на буталото	2,756 in (70 mm)
Вместимост за масло	46 - 48 oz (1,36 - 1,42 l)

Спецификации за двигателя	
Модел	380000
Работен обем	38,26 in ³ (627 cm ³)
Вътрешен диаметър на цилиндъра	2,972 in (75,5 mm)
Работен ход на буталото	2,756 in (70 mm)
Вместимост за масло	46 - 48 oz (1,36 - 1,42 l)

Регулировъчни данни *	
Модел	290000, 300000
Искрова междина на запалителната свещ	0,030 in (0,76 mm)
Въртящ момент за затягане на запалителната свещ	180 lb-in (20 Nm)
Въздушна междина между ротора и статора	0,008 - 0,012 in (0,20 - 0,30 mm)
Междина на смукателния клапан	0,004 - 0,006 in (0,10 - 0,15 mm)
Междина на изпускателния клапан	0,004 - 0,006 in (0,10 - 0,15 mm)

Регулировъчни данни *	
Модел	350000, 380000
Искрова междина на запалителната свещ	0,030 in (0,76 mm)
Въртящ момент за затягане на запалителната свещ	180 lb-in (20 Nm)
Въздушна междина между ротора и статора	0,008 - 0,012 in (0,20 - 0,30 mm)
Междина на смукателния клапан	0,004 - 0,006 in (0,10 - 0,15 mm)
Междина на изпускателния клапан	0,004 - 0,006 in (0,10 - 0,15 mm)

* Мощността на двигателя намалява с 3,5% на всеки 1000 фута (300 метра) над морското ниво и с 1% за всеки 10° F (5,6° C) над 77° F (25° C). Двигателят ще работи задоволително при наклон до 15°. Направете справка в Ръководството за работа с оборудването за безопасните граници за работа на наклони.

Обикновени части за поддръжка ✓

Сервизна част	Номер на частта
Въздушен филтър — с резервоара за гориво	393957
Въздушен филтър — освен модел 380000	394018
Въздушен филтър — модел 380000	692519
Предфилтър на въздушния филтър - с резервоар за гориво	271794
Предфилтър за въздушния филтър - освен модел 380000	272490
Предфилтър за въздушен филтър - модел 380000	692520
Масло — SAE 30	100028
Маслен филтър - дълъг 6 cm	492932
Маслен филтър - дълъг 9 cm	491056

Сервизна част	Номер на частта
Въздушен филтър — с резервоар за гориво	808116
Филтър за гориво - с горивоподаваща помпа	691035
Филтър за гориво - без горивоподаваща помпа	298090
Горивна добавка	5041
Резисторна запалителна свещ	491055
Дълготрайна платинена запалителна свещ	5066
Ключ за свещ	19374
Искров тестер	19368

✓ Ние ви препоръчваме да посетите някой от Упълномощените представители на Briggs & Stratton за всички операции по техническото и сервизното обслужване на двигателя и резервните части.

ОГРАНИЧЕНА ГАРАНЦИЯ

Корпорация Briggs & Stratton ще ремонтира или замени безплатно всяка част (всички части) на двигател, които са повредени, поради дефектен материал или производство, или поради двете. Транспортните разходи на изпратените за ремонт или смяна части по тази гаранция се поемат от купувача. Тази гаранция е валидна за определен срок и е предмет на условията, фиксирани по-долу. За обслужване по гаранцията се обърнете към най-близкия Упълномощен сервизен представител, който може да откриете в нашия указател на адрес BRIGGSandSTRATTON.com, или като се обадите на телефон 1-800-233-3723, или като е посочено в 'Жълтите страници'.

Няма друга специална гаранция. Подразбиращите се гаранции, включително тези за годността за продажба или за някаква специална цел, са ограничени до една година от датата на купуване или до срока, разрешен по закон. Всички други свързани (по подразбиране) гаранции се изключват. Отговорност за случайни или последващи щети се изключва в степен, разрешена по закон. Някои щати или страни не позволяват ограничения за времетраенето на подразбиращата се гаранция, а някои щати или страни не позволяват изключването или ограничаването на случайни или последващи щети, така че е възможно рязкото ограничение и изключение да не важи за вас. Тази гаранция ви дава специфични законови права, а вие можете да имате и други такива, които се изменят в един или друг щат, или в една или друга страна.

СТАНДАРТНИ ГАРАНЦИОННИ УСЛОВИЯ * ▲

Марка/Вид продукт	За ползване за собствени нужди	За ползване за промишлени нужди
Vanguard™	2 години	2 години
Extended Life Series™, I/C®, Intek™ I/C®, Intek™ Pro; Professional Series с чугунена риза Dura-Bore™; 850 Series с чугунена риза Dura-Bore™; Snow Series MAX™ с чугунена риза Dura-Bore™ Всички други двигатели на Briggs & Stratton имат чугунена риза Dura-Bore™	2 години	1 година
Всички други двигатели на Briggs & Stratton	2 години	90 дни

* Тези са нашите стандартни гаранционни условия, но е възможно случайно да има допълнително гаранционно покритие, което не е било определено към момента на публикуването. За списъка с текущите гаранционни условия за вашия двигател посетете адреса ни в Интернет BRIGGSandSTRATTON.COM или се обърнете към Упълномощен сервизен представител на Briggs & Stratton.

▲ Двигатели, монтирани на домашен генератор за електроенергия са гарантирани само по клаузата "За потребителско ползване". Настоящата гаранция не е валидна за двигатели, монтирани на оборудване, ползвано като първична мощност, вместо централното захранване. **Двигатели, използвани за състезания, за търговски цели или за отдаване под наем, не са покрити от гаранцията.**

Гаранционният период започва от датата на купуване от първия потребител на дребно или от крайния потребител за промишлени нужди и продължава за периода, посочен в таблицата горе. "За ползване за собствени нужди" означава лично използване в домакинство от потребител на дребно. "За ползване за промишлени нужди" означава всички други употреби, включително търговска употреба, както и такава, формираща доход или отдаване под наем. След като веднъж двигателят е бил ползван за промишлени нужди, по-нататък той ще бъде считан като двигател за промишлени нужди за целите на тази гаранция.

Не е необходима регистрация на гаранцията, за да се получи гаранционно обслужване за продуктите Briggs & Stratton. Пазете за доказателство квитанцията от покупката. Ако не осигурите доказателство за началната дата на купуване, при поискване на гаранционно обслужване, датата на производство но продукта ще бъде използвана за определяне на гаранционния период.

Относно вашата гаранция

Briggs & Stratton приемат с готовност гаранционния ремонт и се извиняват за причиненото ви неудобство. Всеки Упълномощен сервизен представител може да извършва гаранционни ремонти. Повечето гаранционни ремонти се провеждат рутинно, но понякога е възможно исканията за гаранционно обслужване да не бъдат съответстващи.

Ако купувачът не е съгласен с решението на Сервизния представител, ще се направи проучване, за да се установи дали гаранцията се признава. Изисквайте от Сервизния представител да предостави за преглед всички допълнителни факти на своя дистрибутор или на завода. Ако дистрибуторът или заводът реши, че това искане е оправдано, купувачът ще бъде напълно обезщетен за дефектните части. За да се избегне недоразумението, което може да възникне между купувача и представителя, по-долу са изброени някои от причините за повреда на двигателя, които гаранцията не покрива.

Нормално износване: Двигателите, както всички механични устройства, се нуждаят от периодична замяна на части и обслужване, за да работят добре. Гаранцията не покрива ремонта, когато при нормално износване дадена част или двигателят са изчерпали живота си. Гаранцията не се прилага, ако в двигателя се случи повреда, поради неправилно ползване или отсъствие на рутинна поддръжка, транспортиране, манипулиране, съхраняване или неправилен монтаж. Също така, гаранцията се губи, ако серийният номер на двигателя е отстранен или по него са правени промени.

Неправилно поддръжане: Животът на даден двигател зависи от условията, при които работи и от грижите, които получава. Някои приложения, като култиватори, помпи, и ротационни косачки, много често се използват в прашна и замърсена среда, което може да доведе до предварителното им износване. Такова износване не се покрива от гаранцията, когато се дължи на мръсотия, прах, абразив за почистване на свещта или други абразивни материали, попаднали в двигателя поради некачествено поддръжане.

Тази гаранция покрива само употребен в двигателя дефектен материал и/или изработка, а не замяната или възстановяването на машината, към която двигателят може да бъде монтиран. Гаранцията не покрива и поискани ремонти поради:

- 1 Проблеми, причинени от части, които не са оригинални части на Briggs & Stratton.
- 2 Устройства за управление на машината или съоръжения, които пречат на стартирането на двигателя, водят до незадоволителната му работа или скъсяват живота му. (Консултирайте се с производителя на устройствата.)

- 3 Течачи карбуратори, задръстени горивни тръби, блокирани клапани или други повреди, причинени от употребата на замърсено или остаряло гориво.
- 4 Части, които са надравени или счупени, защото двигателят е работил с недостатъчно или замърсено масло, или с масло с неподходящо качество (проверявайте и доливайте, когато е необходимо и го сменявайте на препоръчаните интервали от време.) Аварийното устройство OIL GARD може да не спре работещия двигател. Ако нивото на маслото не се поддържа точно, двигателят може да се повреди.
- 5 Ремонт или регулиране на монтирани части или агрегати като съединители, предавателни механизми, дистанционни управления и др., които не са произведени от Briggs & Stratton.
- 6 Повреда или износване на части, причинени от нечистотия, попаднала в двигателя, поради некачествено поддръжане на въздушния филтър, некачествен повторен монтаж или от използване на неоригинални елементи за филтър. На препоръчаните интервали от време почиствайте и/или сменявайте филтъра, както е посочено в Ръководството за работа.
- 7 Части, повредени от превишена скорост или прегряване, причинени от треви, парчета или мръсотия, която запушва или задържа охлаждащите ребра и камерата на маховика, или повреда поради работа на двигателя в затворено пространство без достатъчно проветряване. Почиствайте двигателя от попаднали парчета на препоръчаните интервали от време, както е посочено в Ръководството за работа.
- 8 Части на двигателя или машината, счупени от прекомерна вибрация, дължаща се на хлабав монтаж на двигателя, хлабави режещи ножове, хлабави пластини и хлабави или зле балансиран работни колела, на недобро куплиране на машината към коленчатия вал на двигателя, на свръхвисоки обороти или друга злоупотреба при работа.
- 9 Огънат или счупен коленчат вал вследствие на удар в твърд предмет на режещия нож на ротационната полева косачка или от прекомерно натягане на трапецовидния ремък.
- 10 Рутинна настройка и регулировка на двигателя.
- 11 Повреда на двигателя или на негов елемент, т.е. горивна камера, клапани, клапани легла, клапани водачи, или изгорели намотки на стартера поради използването на алтернативни горива като нафта, природен газ, бензини с променени качества и т.н.

Гаранционното обслужване е достъпно единствено чрез Упълномощените сервизни представители на Корпорация Briggs & Stratton. Намерете най-близкия Упълномощен сервизен представител в нашата указателна карта за представителите на адрес BRIGGSandSTRATTON.com, или като се обадите на тел. 1-800-233-3723, или както е посочено в 'Жълтите страници'.

Všeobecné informace

Tato příručka obsahuje bezpečnostní informace nezbytné pro to, abyste věděli, jaká nebezpečí a rizika souvisí s motory a jak se jim vyhnout. Obsahuje i pokyny, jak řádně motor používat a jak se něj starat. Vzhledem k tomu, že korporace Briggs & Stratton nemusí nutně vědět, jaké zařízení bude tento motor pohánět, je důležité, abyste si přečetli a pochopili tyto pokyny a pokyny pro zařízení, které tento motor pohání. **Uschovejte originál těchto pokynů pro budoucí použití.**

Potřebujete-li náhradní díly nebo technickou pomoc, запиšte dolů model motoru, typové a kódové číslo a datum nákupu. Tato naleznete na svém motoru (viz kapitola **Funkce a ovládací prvky**).

Datum nákupu: _____
DD/MM/RRRR

Model motoru: _____
Model: Typ: Kód:

Informace o jmenovitém výkonu motoru

Hrubý výkon jednotlivých modelů benzínových motorů je uváděn v souladu s normou J1940 pro postup při stanovení výkonu a krouticího momentu u malých motorů (Small Engine Power & Torque Rating Procedure) vydané asociací SAE (Society of Automotive Engineers) a výkon byl získán a přepočten v souladu s normou SAE J1995 (revize 2002-05). Hodnoty krouticího momentu byly získány při 3060 RPM (ot./min.) a hodnoty výkonu v koních byly získány při 3600 RPM (ot./min.). Skutečný hrubý výkon motoru bude nižší, což je ovlivněno mimo jiné provozními podmínkami prostředí a rozdíly mezi jednotlivými vyrobenými kusy motorů. Z důvodu široké škály produktů, do nichž se naše motory umísťují a různých vnějších faktorů vztahujících se k provozu zařízení, nemusí benzínový motor při použití v konkrétním druhu zařízení dosahovat hrubého výkonu (skutečného výkonu „na místě instalace“ nebo čistého výkonu). Tento rozdíl je způsoben mnoha faktory, mezi něž patří použité příslušenství (jako je například vzduchový filtr, výfuk, plnění, chlazení, karburátor, palivové čerpadlo atd.), omezení využití, provozní podmínky prostředí (teplota, vlhkost, nadmořská výška) a rozdíly mezi jednotlivými vyrobenými kusy motoru. V důsledku výrobních a kapacitních omezení může společnost Briggs & Stratton nahradit motor této série motorem o vyšším výkonu.

Bezpečnost obsluhy

BEZPEČNOSTNÍ A KONTROLNÍ SYMBOLY



Požár



Pohyblivé části



Olej



Toxické výpary



Pomalu



Rychle



Stop



Výbuch



Úraz elektrickým proudem



Palivo



Sytič



Zapnuto/Vypnuto



Uzávěr paliva



Zpětný ráz



Používejte ochranu zraku



Nebezpečná chemikálie




Čtěte návod





Horký povrch




Omrzliny

Symbol bezpečnostního upozornění  označuje bezpečnostní informace týkající se rizik, která mohou způsobit úraz. Signální slovo (NEBEZPEČÍ, UPOZORNĚNÍ nebo VÝSTRAHA) se používá spolu s varovným symbolem pro vyznačení pravděpodobnosti a potenciální vážnosti úrazu. Mimo to může být pro označení druhu nebezpečí použit symbol nebezpečí.

 **NEBEZPEČÍ** označuje ohrožení, které, není-li eliminováno, způsobí smrt nebo vážný úraz.

 **VAROVÁNÍ** označuje ohrožení, které, není-li eliminováno, může způsobit smrt nebo vážný úraz.

 **POZOR** označuje ohrožení, které, není-li eliminováno, může způsobit lehký, nebo středně těžký úraz.

POZNÁMKA označuje situaci, v níž by mohlo dojít k poškození produktu.



VAROVÁNÍ

Některé součásti tohoto produktu a související příslušenství obsahují chemické látky, o nichž je ve státě Kalifornie známo, že způsobují rakovinu, poškození plodu či jiné poruchy reprodukce. Po manipulaci si umyjte ruce.



VAROVÁNÍ

Výfukové plyny tohoto výrobku obsahují chemikálie, o nichž je ve státě Kalifornie známo, že způsobují rakovinu, poškození plodu či jiné poruchy reprodukce.




VAROVÁNÍ

Briggs & Stratton neschvaluje ani nepovoluje použití těchto motorů na tříkolových terénních vozidlech (ATV), motocyklech, zábavních/rekreačních motokárách, letadlech nebo vozidlech určených pro sportovní soutěže. Takové použití těchto motorů by mohlo vést ke škodám na majetku, vážnému zranění (včetně ochrnutí) nebo i ke smrtelnému úrazu.

POZNÁMKA: Tento motor je dodáván firmou Briggs & Stratton bez oleje. Před spuštěním motoru zkontrolujte hladinu oleje. Pokud spustíte motor bez oleje, může dojít k jeho neopravitelnému poškození, na které se nebude vztahovat záruka.



VAROVÁNÍ

 **Palivo a jeho páry jsou vysoce hořlavé a výbušné.**
Požár nebo výbuch může způsobit vážné popáleniny nebo i smrt

Když doplňujete palivo

- Vypněte motor a před sejmutím uzávěru palivové nádrže jej nechte nejméně 2 minuty chladnout.
- Nádrž plňte venku nebo v dobře větraném prostoru.
- Palivovou nádrž nepřepĺňujte. Kvůli tepelné roztažnosti paliva naplňte nádrž jen po spodní okraj hrdla.
- Chraňte palivo před jiskrami, otevřeným ohněm, věčným plamínkem, teplem a jinými zdroji zapálení.
- Kontrolujte palivové potrubí, nádrž a uzávěr a všechny spoje na těsnost a praskliny. V případě potřeby proveďte výměnu.
- Jestliže rozlijete palivo, počkejte, až se odpaří a teprve potom spustte motor.

Při spouštění motoru

- Zkontrolujte, zda jsou na svém místě svíčky, tlumič výfuku, víčko palivové nádrže a vzduchový filtr (je-li jím motor vybaven), a zda jsou dobře zajištěny.
- Neotáčejte motorem při odstraněné svíčce.
- Při přeplavení motoru nastavte sytič (je-li k dispozici) do polohy OPEN/RUN (chod) a škrtkič klapku do polohy FAST (rychle) a protáčejte motor, dokud nenaskočí.

Při obsluze zařízení

- Nenaklánějte motor ani zařízení do polohy, která by způsobila únik paliva.
- Motor se nesmí zastavovat zahlcením karburátoru.
- Nespuštějte ani neprovazujte motor s odmontovanou sestavou vzduchového filtru (je-li jím motor vybaven) nebo s vyjmutým vzduchovým filtrem (je-li jím motor vybaven).

Při výměně oleje

- Když vypouštíte olej z horní plnicí olejové trubky, musí být palivová nádrž prázdná, protože jinak může palivo unikat z nádrže a způsobit požár nebo explozi.

Při přepravě zařízení

- Zařízení přepravujte s PRÁZDNOU palivovou nádrží nebo zavřeným palivovým kohoutem.

Při skladování paliva nebo zařízení s palivem v nádrži

- Uložte odděleně od pečí, kamen, ohřivačů vody či jiných zařízení, která mají věčný plamínek nebo od jiných zdrojů zapálení. Mohou zažehnout výpary z paliva.



VAROVÁNÍ



Spouštění motoru je doprovázené jiskřením.
Jiskření může zažehnout přítomné hořlavé plyny.
Výsledkem může být požár nebo výbuch.

- Nespouštějte motor, uniká-li v prostoru zemní plyn nebo propan-butan (LPG).
- Nepoužívejte stlačené startovací kapaliny, jejich páry jsou hořlavé.



VAROVÁNÍ



Motory produkují oxid uhelnatý, což je bezbarvý jedovatý plyn bez zápachu.

Vdechování oxidu uhelnatého může způsobit nevolnost, mdloby až smrt.

- Spouštějte a provozujte motor venku.
- Nespouštějte ani neprovozujte motor v uzavřeném prostoru, i když jsou otevřená okna i dveře.



VAROVÁNÍ



Rychlé zatažení (zpětné "kopnutí") lanka spouštěče přitáhne ruku a paži k motoru rychleji, než ho stačíte pustit.

Je tu nebezpečí zlomeniny, odření nebo natažení šlach.

- Při startování motoru táhněte za lanko spouštěče pomalu, dokud neucítíte odpor a pak rychle zatáhněte, abyste zabránili zpětnému kopnutí.
- Před spuštěním motoru zbavte motor veškerého vnějšího vybavení/zátěže.
- Přímo spřažené součásti zařízení, např. nože, oběžná kola, řemenice, ozubená kola atd., musí být bezpečně upevněny.



VAROVÁNÍ



Otáčivé části se mohou dostat do styku nebo zachytit ruce, nohy, vlasy, oděv či výstroj.

Může dojít k těžkým tržným ranám až amputacím končetin.

- Provozujte zařízení pouze s upevněnými ochrannými kryty.
- Nepřibližujte ruce a nohy k rotujícím částem.
- Sepněte si dlouhé vlasy a sejměte šperky.
- Nenoste volně vlající oděv, volně visící stahovací tkalouny a šňůry, jež mohou být zachyceny.



VAROVÁNÍ



Provozem motorů se vytváří teplo. Díly motoru, zejména tlumič výfuku, jsou za provozu extrémně horké.

Ve styku s nimi mohou vzniknout vážné popáleniny.

Hořlavý materiál, jako je listí, tráva, roští atd., může vzplanout.

- Před manipulací nechte tlumič výfuku, válec a žebra motoru vychladnout.
- Odstraňujte hořlavé nečistoty, hromadící se v prostoru tlumiče a válce.
- Při použití zařízení na zalesněném, travnatém nebo křovím porostlém pozemku bez lapače jisker nainstalovaného ve výfukovém systému a udržovaného v řádném funkčním stavu porušujete ustanovení paragrafu 4442 Zákona o veřejných zdrojích státu Kalifornie. Jiné státy nebo federální jurisdikce mohou mít podobné zákony. Chcete-li zakoupit lapač jisker vhodný pro výfukový systém nainstalovaný na tomto motoru, kontaktujte výrobce původního zařízení, prodejce nebo dodavatele.



VAROVÁNÍ



Neúmyslné jiskření může způsobit požár nebo úraz elektrickým proudem.



Neúmyslné spuštění motoru může způsobit zachycení, amputaci končetiny nebo tržné rány.

Riziko požáru



Před prováděním seřizování nebo oprav:

- Odpojte kabel od zapalovací svíčky a uložte jej dále od zapalovací svíčky.
- Odpojte kabel od záporného vývodu akumulátoru (jen pokud je motor vybaven elektrickým spouštěčem).
- Používejte pouze správné nástroje.
- Otáčky motoru se nesmí zvyšovat úpravami pružin regulátoru, táhel a ostatních dílů.
- Náhradní díly musí mít stejné provedení jako původní díly a musí být nainstalovány ve stejné poloze. Jiné díly nemusí poskytovat požadovaný výkon, mohou poškodit zařízení nebo způsobit zranění.
- Na setrvačnicku netlučte kladivem nebo tvrdým předmětem, protože hrozí rozpad setrvačnicku při dalším provozu.

Při zkoušení svíčky:

- Použijte schválenou zkoušečku zapalovacích svíček
- Nezkoušejte jiskru zapalování při vyjmuté svíčke.

Funkce a ovládací prvky

Abyste se seznámili s umístěním různých funkcí a ovládacích prvků, porovnávejte ilustrace **1** s motorem.

- A. Identifikace motoru
Model Typ Kód
- B. Zapalovací svíčka
- C. Vzduchový filtr (bez palivové nádrže)
- D. Vzduchový filtr (včetně palivové nádrže)
- E. Ponomá měrka oleje
- F. Plnicí hrdlo oleje
- G. Olejový filtr (volitelné vybavení)
- H. Vypouštěcí zátka oleje
- I. Snímač tlaku oleje
- J. Chránič prstů
- K. Elektrický startér
- L. Navijecí spouštěč (volitelné vybavení)
- M. Karburátor
- N. Tlumič výfuku (volitelné vybavení)
- O. Palivové čerpadlo
- P. Vypínač elektrického spouštění *
- Q. Ovládání škrticí klapky *
- R. Ovládání sytiče *
- S. Palivový filtr (volitelné vybavení)
- T. Palivová nádrž (volitelné vybavení)
- U. Uzavírací ventil paliva (volitelné vybavení) *
- V. Spínač (volitelný) *
- W. Chladič oleje (volitelné vybavení)

* Některé motory a zařízení jsou vybavena dálkovým ovládním. Popis umístění a funkce tohoto dálkového ovládní najdete v příručce k zařízení.

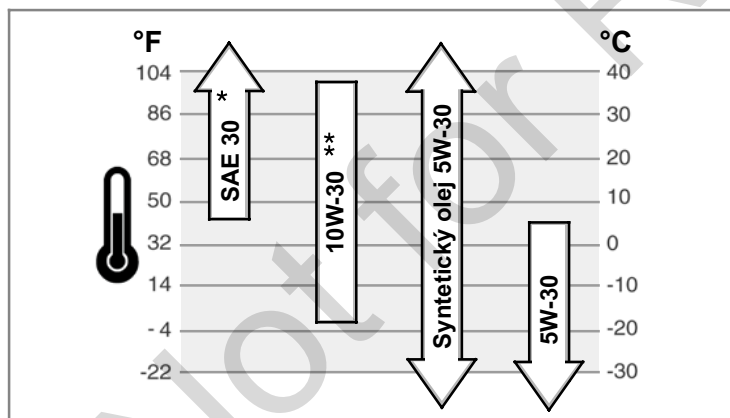
Fungování

Objem oleje (viz část **Specifikace**)

Doporučené oleje

Nejlepší výkonnosti dosáhnete, budete-li používat doporučené oleje používat značky Briggs & Stratton s potvrzenou zárukou. Ostatní vysoce jakostní detergentní oleje jsou přijatelné, jestliže jsou klasifikovány minimálně pro SF, SG, SH, SJ. Nepoužívejte zvláštní aditiva.

Venkovní teploty určují správnou viskozitu oleje pro motor. Pro očekávaný rozsah venkovní teploty vyberte nejlepší viskozitu pomocí tabulky.



* Používání oleje SAE 30 při teplotách nižších než 4°C (40°F) způsobuje obtížné startování.

** Použití oleje 10W-30 při teplotách nad 27°C (80°F) může způsobit zvýšenou spotřebu oleje. V tomto případě kontrolujte častěji stav oleje.

Postup kontroly/přidání oleje – Obrázek 2

Před doplněním nebo kontrolou oleje

- Motor dejte do vodorovné polohy.
 - Vyčistěte prostor pro doplňování oleje od nečistot.
1. Vyjměte měrku oleje (A) a otřete ji čistým hadříkem (Obrázek 2).
 2. Zcela zasuňte měrku.
 3. Vyjměte měrku a zkontrolujte hladinu oleje. Měla by být v horní části indikátoru full (B) na měrce.

CS

4. Pokud je hladina oleje nízká, nalévejte olej pomalu do plnicího otvoru (C). **Dejte pozor, abyste jej nepřelili.** Po doplnění oleje počkejte jednu minutu a pak stav oleje znovu zkontrolujte.
5. Zcela zasuňte měrku.

Tlak oleje

Jestliže je tlak oleje příliš nízký, tlakový spínač (pokud je jím zařízení vybaveno) buďto zastaví motor nebo spustí varovnou signalizaci na zařízení. Pokud k tomu dojde, zastavte motor a zkontrolujte měrkou hladinu oleje.

Pokud je hladina oleje pod značkou ADD, doplňte olej na značku FULL. Nastartujte motor a před pokračováním v provozu tlak zkontrolujte.

Jestliže je hladina oleje mezi značkami ADD a FULL, **nikdy nespouštějte** motor. O nápravu problému s tlakem oleje požádejte autorizovaného prodejce Briggs & Stratton.

Doporučení týkající se benzínu

Palivo musí splňovat následující požadavky:

- Používejte čistý, čerstvý bezolovnatý benzín.
- Minimálně 87 oktanů/87 AKI (91 RON). V případě, že používáte stroj ve vyšších nadmořských výškách, viz níže.
- Přijatelný je benzín obsahující do 10 % ethanolu (směsi benzínu s alkoholem) nebo do 15 % MTBE (methyl-tercio-butyl-ether).

POZNÁMKA: Nepoužívejte neschválené benzíny, jako například E85. Nepřidávejte do benzínu olej ani neupravujte motor pro provoz s alternativními palivy. Došlo by k poškození součástí motoru a **ztratě záruky na motor.**

Do paliva přidávejte stabilizátor paliva, abyste zabránili tvorbě pryskyřičných usazenin v palivové soustavě. Viz **Skladování**. Všechna paliva nejsou stejná. Pokud se objeví problémy se spouštěním nebo výkonností motoru, změňte dodavatele paliva nebo značku. Tento motor je úředně schválen jako benzínový motor. Systém řízení emisí tohoto motoru je EM (Engine Modifications).

Vyšší nadmořské výšky

Ve výškách nad 1 524 m (5 000 stop) je přípustný minimálně 85oktanový/85 AKI (89 RON) benzín. Aby byly dodrženy emisní limity, musí být motor pro vyšší nadmořské výšky seřízen. Provoz bez tohoto seřízení způsobí sníženou výkonnost, zvýšenou spotřebu paliva a zvýšené emise. Informace o seřízení pro vyšší nadmořské výšky získáte u autorizovaného prodejce značky Briggs & Stratton.

Provoz motoru při nadmořských výškách pod 762 m (2 500 stop) s přestavbou pro vyšší nadmořské výšky se nedoporučuje.

Postup doplnění paliva – Obrázek 3



VAROVÁNÍ



Palivo a jeho páry jsou vysoce hořlavé a výbušné.



Požár nebo výbuch může způsobit vážné popáleniny nebo i smrt

Když doplňujete palivo

- Vypněte motor a před sejmutím uzávěru palivové nádrže jej nechte nejméně 2 minuty chladnout.
- Nádrž plňte venku nebo v dobře větraném prostoru.
- Palivovou nádrž nepřepĺňujte. Kvůli tepelné roztažnosti paliva naplňte nádrž jen po spodní okraj hrdla.
- Chraňte palivo před jiskrami, otevřeným ohněm, věčným plamínkem, teplem a jinými zdroji zapálení.
- Kontrolujte palivové potrubí, nádrž a uzávěr a všechny spoje na těsnost a praskliny. V případě potřeby proveďte výměnu.
- Jestliže rozlijete palivo, počkejte, až se odpaří a teprve potom spusťte motor.

1. Odstraňte z oblasti kolem uzávěru palivové nádrže. Sejměte uzávěr palivové nádrže (A) (Obrázek 3).
2. Naplňte palivovou nádrž (B) benzínem. Kvůli tepelné roztažnosti paliva naplňte nádrž jen po spodní okraj hrdla (C).
3. Nasaďte uzávěr palivové nádrže.

Jak spustit motor – Obrázek 4



VAROVÁNÍ



Rychlé zatažení (zpětné "kopnutí") lanka spouštěče přitáhne ruku a paži k motoru rychleji, než ho stačíte pustit.

Je tu nebezpečí zlomeniny, odření nebo natažení šlach.

- Při startování motoru táhněte za lanko spouštěče pomalu, dokud neucítíte odpor a pak rychle zatahněte, abyste zabránili zpětnému kopnutí.



VAROVÁNÍ



Palivo a jeho páry jsou vysoce hořlavé a výbušné.
Požár nebo výbuch může způsobit vážné popáleniny nebo i smrt

Při spuštění motoru

- Zkontrolujte, zda jsou na svém místě svíčky, tlumič výfuku, víčko palivové nádrže a vzduchový filtr (je-li jím motor vybaven), a zda jsou dobře zajištěny.
- Neotáčejte motorem při odstraněné svíčce.
- Při přeplavení motoru nastavte sytič (je-li k dispozici) do polohy OPEN/RUN (chod) a škrtkici klapku do polohy FAST (rychle) a protáchejte motor, dokud nenaskočí.



VAROVÁNÍ



Motory produkují oxid uhelnatý, což je bezbarvý jedovatý plyn bez zápachu.

Vdechování oxidu uhelnatého může způsobit nevolnost, mdloby až smrt.

- Spouštějte a provozujte motor venku.
- Nespouštějte ani neprovozujte motor v uzavřeném prostoru, i když jsou otevřená okna i dveře.

POZNÁMKA: Tento motor byl odeslán společností Briggs & Stratton bez oleje. Než motor nastartujete, ještě jednou zkontrolujte, zda jste doplnili olej podle pokynů uvedených v této příručce. Jestliže nastartujete motor bez oleje, poškodí se tak, že už nepůjde opravit a nebude kryt žádnou zárukou.

Poznámka: Některé motory a zařízení jsou vybavena dálkovým ovládáním. Popis umístění a funkce tohoto dálkového ovládání najdete v příručce k zařízení.

- Zkontrolujte stav oleje. Viz část **Kontrola/doplňování oleje**.
 - Zkontrolujte, zda jsou ovládací prvky pohonu (pokud je jimi zařízení vybaveno) vypnuty.
 - Přepněte palivový ventil (A), je-li jím motor vybaven, do polohy on (Obrázek 4).
 - Posuňte vypínač motoru (F), je-li jím motor vybaven, do polohy on.
 - Posuňte páku akceleračního (B) do polohy fast (rychle) . Provozujte motor s pákou akceleračního v poloze fast (rychle) .
 - Posuňte ovladač sytiče (C) do polohy sytič .
- Poznámka:** Použití sytiče není obvykle potřeba při opakovaném startu teplého motoru.
- Spouštění pomocí lanka:** Otočte klíčkem (D), pokud je jím zařízení vybaveno, do polohy run.
 - Spouštění pomocí lanka:** Pevně uchopte rukojeť lanka spouštěče (E). Táhněte za lanko spouštěče nejprve pomalu, dokud neucítíte odpor. Pak zatáhněte prudce.
- Poznámka:** Pokud motor ani po třech opakovaných pokusech nenastartuje, navštivte stránku **BRIGGSandSTRATTON.COM** nebo zavolejte na telefonní číslo **1-800-233-3723** (v USA).



VAROVÁNÍ: Rychlé zatažení (zpětné "kopnutí") lanka spouštěče přitáhne ruku a paži k motoru rychleji, než je stačíte pustit. Je tu nebezpečí zlomeniny, odření nebo natažení šlach. Při startování motoru táhněte za lanko spouštěče pomalu, dokud neucítíte odpor a pak rychle zatáhněte, abyste zabránili zpětnému kopnutí.

- Elektrické spouštění:** Přepněte vypínač elektrického spouštění (D) do polohy on/start.
- Poznámka:** Pokud motor ani po třech opakovaných pokusech nenastartuje, navštivte stránku **BRIGGSandSTRATTON.COM** nebo zavolejte na telefonní číslo **1-800-233-3723** (v USA).
- POZNÁMKA:** Chcete-li prodloužit životnost spouštěče, používejte krátké spouštěcí cykly (maximálně pět sekund). Mezi spouštěcími cykly počkejte jednu minutu.
- Když se motor zahřeje, přesuňte ovladač sytiče (C) do polohy run .

Jak zastavit motor – Obrázek 4



VAROVÁNÍ



Palivo a jeho páry jsou vysoce hořlavé a výbušné.
Požár nebo výbuch může způsobit vážné popáleniny nebo i smrt

- Motor se nesmí zastavovat zahlcením karburátoru.

- Posuňte páčku akceleračního (B) do polohy slow a otočte klíčkem (D) do polohy off (Obrázek 4). Vyjměte klíček a uložte jej na bezpečném místě mimo dosah dětí.

- Zatlačte vypínač motoru (F), je-li jím motor vybaven, do polohy off.
- Po zastavení motoru přepněte palivový ventil (A), je-li jím motor vybaven, do polohy closed.

Údržba

Doporučujeme svěřit veškerý servis a údržbu motorů a jejich dílů některému autorizovanému prodejci značky Briggs & Stratton.

POZNÁMKA: Aby motor správně fungoval, musí všechny jeho součásti zůstat na svém místě.

Omezení emisí

Údržbu, výměnu nebo opravu zařízení a systémů řízení emisí může provádět jakékoli zařízení nebo osoba zabývající se opravami nesilničních motorů. Chcete-li však mít servis řízení emisí „zdarma“, musí práci provádět prodejce autorizovaný továrnou. Viz záruka dodržování emisních limitů.



VAROVÁNÍ



Neúmyslné jiskření může způsobit požár nebo úraz elektrickým proudem.



Neúmyslné spuštění motoru může způsobit zachycení, amputaci končetiny nebo tržné rány.



Riziko požáru

Před prováděním seřizování nebo oprav:

- Odpojte kabel od zapalovací svíčky a uložte jej dále od zapalovací svíčky.
- Odpojte kabel od záporného vývodu akumulátoru (jen pokud je motor vybaven elektrickým spouštěčem).
- Používejte pouze správné nástroje.
- Otáčky motoru se nesmí zvyšovat úpravami pružin regulátoru, táhel a ostatních dílů.
- Náhradní díly musí mít stejné provedení jako původní díly a musí být nainstalovány ve stejné poloze. Jiné díly nemusí poskytovat požadovaný výkon, mohou poškodit zařízení nebo způsobit zranění.
- Na setrvačnick netlučte kladivem nebo tvrdým předmětem, protože hrozí rozpad setrvačnicku při dalším provozu.

Při zkoušení svíčky:

- Použijte schválenou zkoušečku zapalovacích svíček
- Nezkoušejte jiskru zapalování při vyjmuté svíčce.

Tabulka údržby

Prvních 5 pracovních hodin
<ul style="list-style-type: none"> Vyměňte olej
Každých 8 hodin provozu nebo denně
<ul style="list-style-type: none"> Zkontrolujte stav oleje v motoru. Vyčistěte oblast kolem tlumiče výfuku a ovládacích prvků
Každých 100 hodin nebo jednou ročně
<ul style="list-style-type: none"> Vyčistěte vzduchový filtr * Vyčistěte předfiltr (pokud je jím zařízení vybaveno) * Vyměňte olej v motoru a filtr. Vyměňte zapalovací svíčky Zkontrolujte tlumič výfuku a lapač jisker Překontrolujte vůli ventilů **
Každých 400 hodin nebo jednou za rok
<ul style="list-style-type: none"> Vyměňte vzduchový filtr Vyměňte palivový filtr Vyčistěte vzduchový chladicí systém * Vyčistěte žebra olejového chladiče *

* V prašném prostředí nebo v prostředí, kde se nečistoty roznášejí vzduchem, čistěte častěji.

** Není nutné, pokud nejsou zjištěny problémy s výkonností motoru.

Seřízení karburátoru

Nikdy sami neseřizujte karburátor. Ten je již z výroby seřízen tak, aby efektivně fungoval ve většině pracovních podmínek. Pokud je přece jen nutné seřízení provést, kontaktujte autorizovaného dealera Briggs & Stratton.

POZNÁMKA: Výrobce zařízení, do kterého je motor osazen, uvádí maximální otáčky motoru vhodné pro provoz svého výrobku. Tyto otáčky nepřekračujte.

Postup výměny zapalovací svíčky – Obrázek 5

Zkontrolujte vzduchovou mezeru (A, Obrázek 5) pomocí drátové měřky (B). Je-li to nutné, mezeru znovu nastavte. Nainstalujte zapalovací svíčku a dotáhněte ji na doporučený krouticí moment. Postup nastavení mezery nebo krouticí moment najdete v sekci **Specifikace**.

Poznámka: V některých státech místní předpisy vyžadují použití zapalovací svíčky s odporem pro potlačení rušení. Jestliže byl tento motor původně vybaven svíčkou s odporem, používejte k výměně svíček stejného typu.

Zkontrolujte tlumič výfuku a lapač jisker – Obrázek 6



VAROVÁNÍ



Provozem motorů se vytváří teplo. Díly motoru, zejména tlumič výfuku, jsou za provozu extrémně horké.

Ve styku s nimi mohou vzniknout vážné popáleniny.



Hořlavý materiál, jako je listí, tráva, roští atd., může vzplanout.

- Před manipulací nechejte tlumič výfuku, válec a žebra motoru vychladnout.
- Odstraňujte hořlavé nečistoty, hromadící se v prostoru tlumiče a válce.
- Při použití zařízení na zalesněném, travnatém nebo křovím porostlém pozemku bez lapače jisker nainstalovaného ve výfukovém systému a udržovaného v řádném funkčním stavu porušujete ustanovení paragrafu 4442 Zákona o veřejných zdrojích státu Kalifornie. Jiné státy nebo federální jurisdikce mohou mít podobné zákony. Chcete-li zakoupit lapač jisker vhodný pro výfukový systém nainstalovaný na tomto motoru, kontaktujte výrobce původního zařízení, prodejce nebo dodavatele.

Odstraňujte hořlavé nečistoty, hromadící se v prostoru tlumiče a válce. Zkontrolujte, zda tlumič výfuku (A, obrázek 6) nevykazuje praskliny, korozi nebo jiné poškození. Sejměte jiskrojem (B), je-li jím motor vybaven a zkontrolujte, zda není poškozen nebo zanesen uhlíkovými usazeninami. Pokud zjistíte poškození, před dalším spuštěním přístroje nainstalujte náhradní díly.



VAROVÁNÍ:

Náhradní díly musí mít stejné provedení jako původní díly a musí být nainstalovány ve stejné poloze. Jiné díly nemusí poskytovat požadovaný výkon, mohou poškodit zařízení nebo způsobit zranění.

Postup výměny oleje – Obrázek 8 9

Použitý olej je nebezpečný odpad a musí být likvidován správným způsobem. Použitý olej nepatří do domovního odpadu. Ohleďte bezpečné likvidace/recyklace oleje se poradte s místními úřady, servisním střediskem nebo prodejcem.

Odstraňte olej

1. Vypněte motor a dokud je ještě teplý, odpojte kabel zapalovací svíčky (A) a uložte jej v bezpečné vzdálenosti od svíčky (Obrázek 8).
2. Odstraňte zátku pro vypouštění oleje (B, Obrázek 9). Vypusťte olej do schválené nádoby.
3. Po vypuštění oleje nasadte a utáhněte vypouštěcí zátku.

Vyměňte olejový filtr (je-li jím motor vybaven)

Některé modely jsou vybaveny olejovým filtrem. Interval výměny jsou uvedeny v tabulce **Údržba**.

1. Vypusťte olej z motoru. Viz sekci **Vypouštění oleje**.
2. Vyjměte olejový filtr (C) a předepsaným způsobem jej zlikvidujte. Viz Obrázek 9.
3. Před osazením nového filtru lehce potřete jeho těsnění čerstvým a čistým motorovým olejem.
4. Osadte olejový filtr ručně, dokud se těsnění nedotkne adaptéru filtru, poté olejový filtr utáhněte o 1/2 až 3/4 otáčky.
5. Dolijte olej. Viz sekci **Doplnění oleje**.
6. Spusťte motor a nechte jej chvíli běžet. Když se motor zahřeje, zkontrolujte, zda nedochází k únikům oleje.
7. Zastavte motor a zkontrolujte hladinu oleje. Měla by být v horní části indikátoru full (F) na měrce (Obrázek 8).

Doplnění oleje

- Motor dejte do vodorovné polohy.
 - Vyčistěte prostor pro doplňování oleje od nečistot.
 - Objem oleje naleznete v části **Specifikace**.
1. Vyjměte měrku (D) a otřete ji čistým hadříkem (Obrázek 8).
 2. Nalévejte olej pomalu do plnicího otvoru motoru (E). **Dejte pozor, abyste jej nepřelili.** Po doplnění oleje počkejte jednu minutu a pak stav oleje znovu zkontrolujte.
 3. Zasuňte měrku zpět a utáhněte ji.
 4. Vyjměte měrku a zkontrolujte hladinu oleje. Měla by být v horní části indikátoru full (F) na měrce.
 5. Zasuňte měrku zpět a utáhněte ji.

Provádění údržby vzduchového filtru – Obrázek 11 12



VAROVÁNÍ



Palivo a jeho páry jsou vysoce hořlavé a výbušné.

Požár nebo výbuch může způsobit vážné popáleniny nebo i smrt



- Nespouštějte ani neprovozujte motor s odmontovanou sestavou vzduchového filtru (je-li jím motor vybaven) nebo s vyjmutým vzduchovým filtrem (je-li jím motor vybaven).

POZNÁMKA: Nepoužívejte k čištění filtru stlačený vzduch nebo rozpouštědla. Stlačený vzduch může filtr poškodit a rozpouštědla jej rozpustit.

Na obrázků jsou znázorněny dva typy systémů vzduchového filtru. Požadavky na servis naleznete ve **Schématu údržby**.

1. **Modely bez palivové nádrže:** Uvolněte západky (A) a sejměte kryt (B). Viz Obrázek 11.
2. **Modely s palivovou nádrží:** Odstraňte knoflík (C) a kryt (B). Viz Obrázek 12.
3. Odstraňte matici (D) a pojistný kroužek (E). Viz obrázky 11 a 12.
4. Vyjměte vzduchový filtr (F).
5. Pokud je vzduchový filtr vybaven předfiltrem (G), odstraňte jej.
6. Zlehka oklepejte vzduchový filtr o tvrdou podložku, aby se z něj uvolnily nečistoty. Pokud je vzduchový filtr příliš znečištěný, vyměňte jej za nový.
7. Vyperte předfiltr v tekutém odmašťovacím prostředku a vodě. Poté jej nechte na vzduchu důkladně uschnout. **Nemazte** předfiltr olejem.
8. Spojte suchý předfiltr se vzduchovým filtrem.
9. Namontujte vzduchový filtr a zajistěte ho zárazkou a maticí.
10. Namontujte kryt a zajistěte jej.

Postup výměny palivového filtru – Obrázek 7



VAROVÁNÍ



Palivo a jeho páry jsou vysoce hořlavé a výbušné.

Požár nebo výbuch může způsobit vážné popáleniny nebo i smrt



- Chraňte palivo před jiskrami, otevřeným ohněm, věčným plamínkem, teplem a jinými zdroji zapálení.
- Kontrolujte palivové potrubí, nádrž a víčko a všechny spoje na těsnost a praskliny. V případě potřeby proveďte výměnu.
- Než vyměníte palivový filtr, vypusťte palivovou nádrž nebo uzavřete uzavírací ventil paliva.
- Náhradní díly tlumiče výfuku musí být stejné jako originály a namontované na původních místech.
- Jestliže rozlijete palivo, počkejte, až se odpaří a teprve potom spusťte motor.

1. Než vyměníte palivový filtr (A, Obrázek 7), pokud je jím zařízení vybaveno, vypusťte palivovou nádrž nebo uzavřete uzavírací ventil paliva. Jinak může palivo prosáknout a způsobit požár nebo výbuch.
2. Ke stisknutí úchytek (B) na svérkách (C) použijte kleště, potom odsuňte svěrky stranou od palivového filtru. Odšroubujte a vytáhněte palivové potrubí (D) z palivového filtru.
3. Kontrolujte palivové potrubí kvůli těsnosti a trhlinám a podle potřeby vyměňte.
4. Filtr vyměňujte při použití originálního nářadí na výměnu filtru.
5. Zabezpečte palivové potrubí svérkami, jak je na vyobrazení.

Poznámka: Motory vybavené továrně montovanou palivovou nádrží mohou mít u otvoru nádrže palivové sítko (E), viz obrázek 3.

Postup čištění vzduchového chladicího systému – Obrázek 10



VAROVÁNÍ



Provozem motorů se vytváří teplo. Díly motoru, zejména tlumič výfuku, jsou za provozu extrémně horké.

Ve styku s nimi mohou vzniknout vážné popáleniny.



Hořlavý materiál, jako je listí, tráva, roští atd., může vzplanout.

- Před manipulací nechejte tlumič výfuku, válec a žebra motoru vychladnout.
- Odstraňujte hořlavé nečistoty, hromadící se v prostoru tlumiče a válce.

POZNÁMKA: Nepoužívejte k čištění motoru vodu. Mohla by kontaminovat palivovou soustavu. K čištění motoru použijte kartáč nebo suchý hadřík.

Toto je motor chlazený vzduchem. Špína nebo nečistoty mohou omezovat proudění vzduchu a způsobit přehřátí motoru, což povede ke špatnému výkonu a sníží životnost motoru.

Pomocí kartáče nebo suchého hadříku odstraňte nečistoty z chrániče prstů (A). Udržujte táhla, pružiny a ovládací prvky (B) čisté. Z prostoru okolo tlumiče výfuku (C) a za ním odstraňujte hořlavé nečistoty (Obrázek 10). Ujistěte se, že na žebrech olejového (D) není špína a nečistoty.

Skladování



VAROVÁNÍ



Palivo a jeho páry jsou vysoce hořlavé a výbušné.
Požár nebo výbuch může způsobit vážné popáleniny nebo i smrt

Při skladování paliva nebo zařízení s palivem v nádrži

- Uložte odděleně od pecí, kamen, ohřívačů vody či jiných zařízení, která mají věčný plamínek nebo od jiných zdrojů zapálení. Mohou zažehnout výpary z paliva.

Palivová soustava

Palivo, skladované déle než 30 dní, může zvětrat. Zvětralé palivo způsobuje, že se v palivové soustavě nebo na základní částech karburátoru tvoří pryskyřičné usazeniny.

Chcete-li, aby palivo nezahlavalo, použijte stabilizátor paliva značky Briggs & Stratton FRESH START®, který je k dostání jako kapalné aditivum nebo jako kapkový zásobník koncentrátu stabilizátoru.

Benzín nemusíte z motoru vypouštět, pokud do paliva přidáte podle pokynů stabilizátor paliva. Nechte motor běžet 2 minuty, aby se stabilizátor dostal do celé palivové soustavy. Pak může být motor i palivo uskladněno až 24 měsíců.

Pokud nebyl do benzínu přidán stabilizátor paliva, musí být vypuštěn do schváleného kanistru. Nechte motor běžet, dokud se veškerý zbylý benzín nespoteřebuje. Doporučuje se použít stabilizátor paliva i do kanistru, ve kterém bude uskladněn, aby nedošlo k jeho zvětrání.

Motorový olej

Olej vyměňujte, dokud je motor ještě teplý.

Vyhledávání a odstraňování závad

Potřebujete pomoc? Navštivte stránku BRIGGSandSTRATTON.COM nebo zavolejte na telefonní číslo **1-800-233-3723**.

Specifikace

Specifikace motorů	
Model	290000
Zdvihový objem	29,23 ci (479 ccm)
Vrtání	2,677 in (68 mm)
Zdvih	2,598 in (66 mm)
Objem oleje	46 - 48 oz (1,36 - 1,42 l)

Specifikace motorů	
Model	300000
Zdvihový objem	29,23 ci (479 ccm)
Vrtání	2,677 in (68 mm)
Zdvih	2,598 in (66 mm)
Objem oleje	46 - 48 oz (1,36 - 1,42 l)

Specifikace motorů	
Model	350000
Zdvihový objem	34,78 ci (570 ccm)
Vrtání	2,835 in (72 mm)
Zdvih	2,756 in (70 mm)
Objem oleje	46 - 48 oz (1,36 - 1,42 l)

Specifikace motorů	
Model	380000
Zdvihový objem	38,26 ci (627 ccm)
Vrtání	2,972 in (75,5 mm)
Zdvih	2,756 in (70 mm)
Objem oleje	46 - 48 oz (1,36 - 1,42 l)

Specifikace seřízení *	
Model	290000, 300000
Vzduchová mezera zapalovací svíčky	0,030 in (0,76 mm)
Utahovací moment zapalovací svíčky	180 lb-in (20 Nm)
Vzduchová mezera zapalovací cívky	0,008 - 0,012 in (0,20 - 0,30 mm)
Vůle sacího ventilu	0,004 - 0,006 in (0,10 - 0,15 mm)
Vůle výfukového ventilu	0,004 - 0,006 in (0,10 - 0,15 mm)

Specifikace seřízení *	
Model	350000, 380000
Vzduchová mezera zapalovací svíčky	0,030 in (0,76 mm)
Utahovací moment zapalovací svíčky	180 lb-in (20 Nm)
Vzduchová mezera zapalovací cívky	0,008 - 0,012 in (0,20 - 0,30 mm)
Vůle sacího ventilu	0,004 - 0,006 in (0,10 - 0,15 mm)
Vůle výfukového ventilu	0,004 - 0,006 in (0,10 - 0,15 mm)

* Výkon motoru klesá o 3,5 % na každých 300 metrů (1 000 stop) nadmořské výšky a o 1 % na každých 5,6° C (10° F) nad 25° C (77° F). Motor funguje normálně při náklonu do 15°. Maximální dovolené provozní limity pro svahy najdete v návodu k obsluze zařízení.

Běžné servisní díly

Servisní díl	Číslo dílu
Vzduchový filtr – s palivovou nádrží	393957
Vzduchový filtr – kromě modelu 380000	394018
Vzduchový filtr – model 380000	692519
Předfiltr vzduchového filtru – s palivovou nádrží	271794
Předfiltr vzduchového filtru – kromě modelu 380000	272490
Předfiltr vzduchového filtru – model 380000	692520
Olej – SAE 30	100028
Olejový filtr – 6 cm dlouhý	492932
Olejový filtr – 9 cm dlouhý	491056

Servisní díl	Číslo dílu
Palivový filtr – s palivovou nádrží	808116
Palivový filtr – s palivovým čerpadlem	691035
Palivový filtr – bez palivového čerpadla	298090
Příměsí do paliva	5041
Zapalovací svíčka s odrušením	491055
Platinová zapalovací svíčka s dlouhou životností	5066
Klíč na zapalovací svíčku	19374
Zkoušečka zapalování	19368

✓ Doporučujeme svěřit veškerý servis a údržbu motorů a jejich dílů autorizovanému prodejci značky Briggs & Stratton.

OMEZENÁ ZÁRUKA

Společnost Briggs & Stratton Corporation bezplatně opraví nebo nahradí jakýkoli díl nebo díly produktu s vadou materiálu nebo dílenského zpracování, případně obojího. Náklady na přepravu produktu předaného k opravě nebo výměně na základě této záruky ponese zákazník. Tato záruka je platná pro stanovená časová období a podléhá níže uvedeným podmínkám. Záruční opravy si objednejte u nejbližšího autorizovaného servisu, který naleznete na mapě vyhledavače autorizovaných servisů na adrese BRIGGSandSTRATTON.COM nebo jej zjistíte, zavoláte-li na telefonní číslo 1-800-233-3723, případně jej naleznete ve 'Zlatých stránkách'.

Neexistuje žádná další výslovná záruka. Předpokládané záruky, včetně např. záruky prodejnosti a vhodnosti pro konkrétní účel, jsou omezeny na dobu jednoho roku od zakoupení, nebo na jinou dobu povolenou zákonem, a všechny předpokládané záruky jsou vyloučeny. Odpovědnost za náhodné nebo následné škody je vyloučena v maximálním rozsahu povoleném zákonem. Některé státy nebo země nedovolují omezení délky předpokládané záruky a některé státy nebo země nedovolují vyloučení nebo omezení náhodných nebo následných škod, takže se vás výše uvedená vyloučení a omezení nemusí týkat. Tato záruka vám dává specifická práva, a můžete mít i jiná práva, která se liší v jednotlivých státech a zemích.

STANDARDNÍ ZÁRUČNÍ PODMÍNKY * ▲

Značka/Typ produktu	Spotřebitelské použití	Komerční použití
Vanguard™	2 roky	2 roky
Extended Life Series™; I/C®; Intek™ I/C®; Intek™ Pro; Professional Series™ s litinovou vložkou Dura-Bore™; 850 Series™ s litinovou vložkou Dura-Bore™; Snow Series MAX™ s litinovou vložkou Dura-Bore™ Všechny ostatní motory Briggs & Stratton vybavené litinovou vložkou válce Dura-Bore™	2 roky	1 rok
Všechny ostatní motory Briggs & Stratton	2 roky	90 dní

* Toto jsou naše standardní podmínky záruky, ta však může být v některých případech rozšířena, aniž by nám to bylo v době vydání tohoto dokumentu známo. Informace o aktuálních záručních podmínkách pro váš motor najdete na webu BRIGGSandSTRATTON.COM nebo kontaktujte autorizovaný servis Briggs & Stratton.

▲ Na motory používané v domácích záložních generátorech se vztahuje záruka pouze pro spotřebitelské používání. Tato záruka neplatí pro motory používané v zařízeních sloužících k napájení elektroizolované sítě. **Na motory, používané při sportovních závodech nebo na komerčních či nájemních dráhách, se žádná záruka neposkytuje.**

Záruční lhůta začíná v den zakoupení prvním maloobchodním spotřebitelem nebo komerčním koncovým uživatelem a trvá po dobu, uvedenou v horní tabulce. "Spotřebitelským používáním" se rozumí osobní používání maloobchodním spotřebitelem v jeho domácnosti. "Komerčním použitím" se rozumí všechny ostatní druhy použití, včetně použití komerčního, výdělečného a v půjčovnách. Jakmile byl jeden motor použit pro komerční účely, musí být pro účely této záruky nadále považován za motor pro komerční použití.

K obdržení záruky na výrobky Briggs & Stratton není nutná registrace záruky. Uchovejte si účtenku jako důkaz o zakoupení. Jestliže při žádosti o záruční servis nepředložíte důkaz o dni prvního zakoupení, pro určení záruční lhůty bude použito datum výroby výrobku.

O naší záruce

Společnost Briggs & Stratton ochotně zajistí záruční opravy a omlouvá se za způsobené nepříjemnosti. Záruční opravy provádějí všichni autorizovaní prodejci. Většina záručních oprav je rutinní záležitostí, ale někdy mohou být požadavky na záruční servis nepřiměřené.

Pokud nebudete souhlasit s názorem autorizovaného prodejce, oprávněnost vašich záručních nároků prošetříme. V tomto případě jej požádejte, aby předal všechny podklady svému distributorovi nebo výrobnímu závodu. Jestliže distributor nebo výrobce rozhodne o oprávněnosti nároku, dostanete za vadné součástky úhradu v plné výši. Aby se předešlo nedorozuměním mezi zákazníkem a prodejcem, uvádíme dále nejběžnější příčiny selhání motoru, na které se záruka nevztahuje.

Normální opotřebení: Motory, stejně jako všechna mechanická zařízení, potřebují ke správné funkčnosti pravidelnou výměnu dílů a další údržbu. Tato záruka se nevztahuje na opravy v důsledku ukončení životnosti konkrétního dílu nebo celého produktu při normálním používání. Záruka se nevztahuje na závady způsobené neodborným zacházením, nedostatečnou běžnou údržbou, přepravou, manipulací, skladováním nebo nesprávnou montáží. Záruku nelze uplatnit ani v případě, kdy bylo z motoru odstraněno výrobní číslo nebo byl jakkoliv upravován či měněn.

Nesprávná údržba: Životnost motoru závisí na podmínkách, v nichž se provozuje, a na péči, která se mu věnuje. Některá zařízení (například kultivátory, čerpadla a rotační sekačky) jsou často provozována v prašném nebo znečištěném prostředí, což může způsobit předčasnou opotřebení. Pokud bylo toto opotřebení způsobeno vniknutím prachu, nečistot, písku z čistění svíček nebo jiného abrazivního materiálu do motoru v důsledku nesprávné údržby, nevztahuje se na něj záruka.

Tato záruka se vztahuje pouze na vady materiálu a/nebo dílenského zpracování motoru. Nežádejte proto výměnu nebo zaplacení zařízení, na němž může být motor namontován. Záruka se nevztahuje ani na opravy nutné v důsledku:

- 1 Problémy způsobené použitím jiných než originálních dílů Briggs & Stratton.
- 2 Ovládací prvky nebo zařízení, která brání spouštění motoru, mají za následek snížení výkonu motoru a zkracují jeho životnost (Spojte se s výrobcem zařízení.)
- 3 Netěsné karburátory, ucpané palivové trubky, vážnoci ventily nebo jiná poškození, způsobená používáním znečištěného nebo starého paliva.

- 4 Díly, které jsou vydržené nebo zlomené z toho důvodu, že byl motor provozován s nedostatečným množstvím oleje, znečištěným olejem, nebo olejem nesprávné jakosti (hladinu oleje kontrolujte a doplňujte dle potřeby a olej vyměňujte v doporučených intervalech). Zařízení OIL GARD nemusí běžící motor zastavit. Nedodrží-li se správná hladina oleje, motor se může poškodit.
- 5 Oprava nebo seřízení souvisejících součástí nebo sestav, např. spojky, převodů, dálkového ovládání apod., které nebyly vyrobeny firmou Briggs & Stratton.
- 6 Poškození nebo opotřebení součástí způsobené nečistotami, které se dostaly do motoru z důvodů nesprávné údržby či zpětnou montáží čističe vzduchu, používáním jiného než originálního čističe, či filtrační vložky. V doporučených intervalech čistěte nebo měňte filtrační vložku, jak je uvedeno v Návodu k obsluze a údržbě.
- 7 Součásti poškozené přetočením nebo přehřátím, způsobeným zanesením či ucpaním chladících žebor nebo prostoru setrvačnicku trávou, úlomky a špinou, nebo provozem motoru v uzavřeném nevětraném prostoru. Motor čistěte v předepsaných intervalech, jak je uvedeno v Návodu k obsluze a údržbě.
- 8 Poškození motoru nebo jeho součástí nadměrnými vibracemi způsobenými volným připevněním motoru, uvolněnými noži sekačky, uvolněnými nebo nevyváženými oběžnými koly, nesprávným upevněním zařízení k hřídeli motoru, nadměrnými otáčkami nebo jiným nesprávným provozem.
- 9 Ohnutý nebo zlomený klikový hřídel po nárazu nože rotační sekačky na pevný předmět nebo pro nadměrné napětí klínových řemenů.
- 10 Běžné vyladění nebo seřízení motoru.
- 11 Poškození motoru nebo některé jeho součásti, např. spalovací komory, ventilů, ventilových sedel, vedení ventilů, nebo spálení vinutí startéru používáním nesprávného paliva - zkapalněného plynu, zemního plynu, upravovaného benzínu apod.

Záruční servis je dostupný pouze prostřednictvím autorizovaných dealerů společnosti Briggs & Stratton. Nejbližší autorizované dealery společnosti Briggs & Stratton najdete na naší mapě dealerů na webové stránce www.BRIGGSandSTRATTON.com, na telefonu 257 013 117, nebo jsou také uvedeni ve 'Zlatých stránkách'.

Üldinfo

See kasutusjuhend sisaldab ohutusala infot, et teadvustada Teid mootoritega seotud ohtudest ja riskidest ning nende vältimise võimalustest. Lisaks sisaldab see juhiseid mootori õige kasutamise ja hooldamise kohta. Kuna Briggs & Stratton Corporation ei pruugi teada, millist seadet see mootor käitab, on oluline, et te loeksite ja mõistaksite siinseid ja käitatava seadme kohta käivaid juhiseid. **Hoidke need juhised tulevikus kasutamiseks alles.**

Varuosade tellimisel ja tehnilise abi saamiseks pange allpool kirja mootori mudel, tüüp ja koodid koos ostukuupäevaga. Nende numbrite asukohti vaadake mootorilt (vt lk **Omadused ja juhtseadised**).

Ostukuupäev: _____
PP/KK/AAAA

Mootori mudel: _____
Mudel: _____ Tüüp: _____ Kood: _____

Mootori nimivõimsust puudutav teave

Brutovõimsust gaasimootoritele märgitakse vastavalt SAE (Society of Automotive Engineers) koodile J1940 (Väikemootorite võimsuse ja jõumomendi määramise protseduur) ning vastav jõudlus on saavutatud ja korrigeeritud koodi SAE J1995 (Läbivaatus 2002-05) järgselt. Jõumomendi väärtused on saadud pööratel 3060 p/m; hobujõudude väärtused on saadud pööratel 3600 p/m. Tegelik brutovõimsus on madalam ning sõltub muuhulgas keskkonnamitingimustest ja mootorite individuaalsetest erinevustest. Arvestades laia tootevalikut, millele mootoreid on paigaldatud ning keskkonnaprobleeme, mis seadmete kasutamise puhul tõstatuvad, ei saavuta gaasimootor antud brutovõimsust konkreetses seadmes (kohapealne ehk netovõimsus). See erinevus tuleneb mitmest tegurist, k.a lisaseadmed (õhupuhasti, väljalasketoru, laadimine, jahutus, karburaator, kütusepump, jne), kasutuspiirangud, keskkonnamitingimused (temperatuur, niiskus, kõrgus) ning mootorite individuaalsed erinevused. Sõltuvalt tootmise ja mahu piirangutest võib Briggs & Stratton asendada kõrgema nimivõimsusega mootori antud seeria mootoriga.

Kasutaja ohutus

OHUTUS- JA JUHTSÜMBOLID



Tuleoht



Liikuvad osad



Õli



Mürgised aarud



Aeglane



Kiire



Peatamine



Plahvatusoht



Elektrišoki oht



Kütus



Õhuklapp



Sisse Välja



Kütusevoolu peatamine



Tagasilöögi oht



Kandke kaitseprille



Ohtlikud kemikaalid




Lugege kasutusjuhendit



Kuum pind



Külmanäpistus

Ohusümbolit  kasutatakse, et tähistada teavet nendest ohtude kohta, mis võivad põhjustada inimestele vigastusi. Koos ohusümboliga kasutatakse hoiatussõna (OHTLIK, HOIATUS või ETTEVAATUST) vigastuse tõenäosuse ja potentsiaalse raskusastme tähistamiseks. Lisaks võib ohusümbolit kasutada ohu tüübi kirjeldamiseks.



OHTLIK tähistab ohtu, mis juhul, kui seda ei väldita, **toob kaasa surma või raske kehavigastuse.**



HOIATUS tähistab ohtu, mis juhul, kui seda ei väldita, **võib kaasa tuua surma või raske kehavigastuse.**



ETTEVAATUST tähistab ohtu, mis juhul, kui seda ei väldita, **võib kaasa tuua kerge või keskmise kehavigastuse.**

MÄRKUS tähistab olukorda, kus seade võib saada kahjustada.



HOIATUS

Selle toote teatud osad ja tarvikud sisaldavad kemikaale, mis võivad põhjustada vähki, sünnidefekte või muid pärilikke haigusi. Pärast nimetatud seadmete käsitlemist peske käsi.



HOIATUS

Selle mootori heitgaasid sisaldavad keemilisi aineid, mis California osariigi andmeil põhjustavad vähki, sünnidefekte või kahjustavad muul viisil paljunemisvõimet.



HOIATUS

Briggs & Stratton ei kiida heaks nende mootorite paigaldamist ning kasutamist kolmerattalistel maastikusõidukitel (ATVd), mootorrattastel, /hobikartidel, õhusõidukitel ega võistlussõidukitel. Mootorite kasutamine sellisteks rakendusteks võib põhjustada varalist kahju, tõsiseid kehavigastusi (k.a halvatus) või isegi surma.

MÄRKUS: Antud Briggs & Strattoni mootor on tarnitud ilma õlita. Enne mootori käivitamist lisage kindlasti õli vastavalt käesoleva juhendi ettekirjutustele. Kui käivitata mootori ilma õlita, tekitab see parandamatuid kahjustusi ja muudab garantii kehtetuks.



HOIATUS



Bensiin ja selle aarud on väga tule- ja plahvatusohtlikud.

Süttimine või plahvatus võib põhjustada raskeid põletushaavu või surma.



Kütuse lisamisel

- Lülitage mootor välja ja laske sel enne kütusepaagi korki eemaldamist vähemalt 2 minuti jooksul jahtuda.
- Täitke kütusepaaki õues või hästiventileeritud ruumides.
- Ärge täitke kütusepaaki üle. Paisumisruumi jätmiseks ärge täitke üle kütusepaagi kaela.
- Hoidke kütust sädemete, lahtiste leekide, gaasiseadmete süüteleekide, kuumuse ning muude süüteallikate eest.
- Kontrollige regulaarselt, et kütusetorudes, paagis, korgis ja liitmikes ei oleks pragusid ega lekkeid. Vajadusel asendage defektne osa uuega.
- Kütuse mahavoolamise korral oodake enne mootori käivitamist kütuse aurustumiseni.

Mootori käivitamisel

- Veenduge, et süüteküünal, summuti, kütusepaagi kork ja õhufilter (selle olemasolul) on oma kohal ja kinnitatud.
- Ärge käituge eemaldatud süüteküünalaga mootorit.
- Kui mootor on bensiini täis, seadke õhuklapp (kui see on olemas) asendisse AVATUD/TÖÖ, seguklapp kiire töö asendisse ja käivitage, kuni mootor tööle hakkab.

Seadme kasutamisel

- Ärge kallutage mootorit või seadet asendisse, milles kütus võib välja voolata.
- Ärge sulgege mootori seiskamiseks karburaatorit.
- Ärge käivitage mootorit, kui õhupuhasti või õhufilter (nende olemasolul) on eemaldatud.

Õli vahetamine

- Kui lasete õli välja ülemise õlitäitetoru kaudu, peab kütusepaak olema tühi, vastasel korral võib kütus välja voolata ja põhjustada tulekahju või plahvatus.

Seadme transportimisel

- Transportige seadet TÜHJA kütusepaagiga või suletud asendis (OFF) kütusekraaniga.

Kütuse või paagis oleva kütusega seadmete hoiustamisel

- Ärge hoidke seadet kamina, ahju, veeboileri või muude süütelegiga seadmete või süttimisallikate läheduses, sest need võivad süüdata kütuseaurud.



HOIATUS



Mootori käivitamisel tekivad sädemed.

Sädemed võivad põhjustada läheduses olevate tuleohtlike gaaside süttimise.



Selle tulemuseks võib olla plahvatus või tulekahju.

- Kui ümbruskonnas on aset leidnud maa- või vedelgaasilekke, ärge mootorit käivitage.
- Ärge kasutage surve all olevaid käivitusvedelikke, sest nende aarud on tuleohtlikud.



HOIATUS



Mootoritest eraldub süsinikmonoksiidi, mis on lõhnatu, värvitu, mürgine gaas.

Süsinikmonoksiidi sissehingamine võib põhjustada iiveldust, minestamist või surma.

- Käivitage ja kasutage mootorit välitingimustes.
- Ärge käivitage ega kasutage mootorit suletud ruumis, isegi mitte siis, kui ukсед või aknad on avatud.



HOIATUS



Käivitustrossi sissetõmbumisel liiguvad käsi ja käsivars mootori poole nii kiiresti, et te ei jõua sellest lahti lasta.

Tagajärjeks võivad olla luumurrud, luumõrad, marrastused või nikastused.

- Mootorit käivitades tõmmake trossi aeglaselt, kuni tunnete takistust; seejärel tõmmake kiiresti, et vältida tagasilööki.
- Enne mootori käivitamist eemaldage seadme/mootori välised koormused.
- Seadme külge kinnituvad osad, sealhulgas, kuid mitte ainult, terad, tiivikud, rihmarattad, ketirattad jms peavad olema kindlalt kinnitatud.



HOIATUS



Pöörlevad osad võivad puutuda või vahele tõmmata käsi, jalgu, juukseid, rõivaid või muid esemeid.

Tagajärjeks võib olla kehaosade küljestrebimine või vigastus.

- Kasutage ainult seadmeid, mille kaitsed on oma kohal.
- Hoidke käed ja jalad pöörlevatest osadest eemal.
- Siduge pikad juuksed kinni ning eemaldage ehted.
- Ärge kandke avaraid rõivaid, rippuvaid kinnituspaelu ega muid esemeid, mis võivad seadmesse takerduda.



HOIATUS



Töötavast mootorist eraldub soojust. Mootori osad, eelkõige summuti, võivad olla väga kuumad.

Nende puudutamine võib kaasa tuua raskeid põletushaavu.



Pölevad jäägid, näiteks puulehed, rohulibled, kõrred jms võivad süttida.

- Laske summutil, mootorisilindril ja ribidel enne puudutamist jahtuda.
- Eemaldage summuti ja silindri piirkonnast sinna kogunenud praht.
- Mootori kasutamine metsa, kulu või muruga kaetud hooldamata alal on mootori kasutamine vastuolus Kalifornia riigivarade seadustiku artikliga 4442, kui väljalaskesüsteem pole varustatud töökorras sädemepüüdjaga, nagu sätestab artikkel 4442. Muudes osariikides või riikides võivad kehtida sarnased seadused. Mootorile paigaldatud väljalaskesüsteemile mõeldud sädemepüüdja saamiseks pöörduge seadme tootja, edasimüüja või müügiesinduse poole.



HOIATUS



Juhuslik säde võib põhjustada põlengu või elektrišoki.

Juhuslik käivitumine võib kaasa tuua jäsemete vahelejäämise, küljestrebimise või vigastuse.



Tuleoht



Enne seadistamist või parandamist:

- Ühendage lahti süüteküünla juhe ja hoidke seda süüteküünlast eemal.
- Ühendage lahti aku miinusklenn (ainult elektrikäivitiga mootorite puhul).
- Kasutage ainult õigeid tööriistu.
- Ärge püüdke gaasihoova vedru, ühenduslüli või mõne muu detaili kallal nokitsemisega suurendada mootori pöördeid.
- Varuosad peavad olema sama kujuga ja paigaldatud samas asendis kui originaaldetailid. Muud varuosad ei pruugi niisama hästi toimida ning võivad kahjustada seadet ja põhjustada vigastusi.
- Ärge lööge hooratast haamri või muu kõva esemega, sest see võib põhjustada hooratta hilisema purunemise töö käigus.

Sädeme kontrollimisel:

- Kasutage heakskiidetud süüteküünlatestrit.
- Ärge kontrollige sädet, kui süüteküünal on eemaldatud.

Omadused ja juhtseadised

Võrrele joonist **1** oma mootoriga, et õppida tundma erinevate osade ja juhtseadiste paigutust.

- A. Mootori tuvastamine
Mudel Tüüp Kood
- B. Süüteküünl
- C. Õhupuhas (ilma kütusepaagiga)
- D. Õhupuhas (koos kütusepaagiga)
- E. Mõõtevarras
- F. Õlitäiteava
- G. Õlifilter (lisavarustuses)
- H. Õli väljalaskeava
- I. Õlirõhu andur
- J. Sõrmekaitse
- K. Elektristarter
- L. Tagasikerimisstarter (lisavarustuses)
- M. Karburaator
- N. Summuti (lisavarustuses)
- O. Kütusepump
- P. Starteri lüliti *
- Q. Seguklapi hoob *
- R. Õhuklapp *
- S. Kütusefilter (lisavarustuses)
- T. Kütusepaak (lisavarustuses)
- U. Kütuse sulgeklapp (lisavarustuses) *
- V. Stopplüliti (lisavarustuses) *
- W. Õliradiaator (lisavarustuses)

* Mõnedel mootoritel ja seadmetel on kaugjuhtimisnupud. Kaugjuhtimisnuppude asukohta ja kasutamist vt seadme kasutusjuhendist.

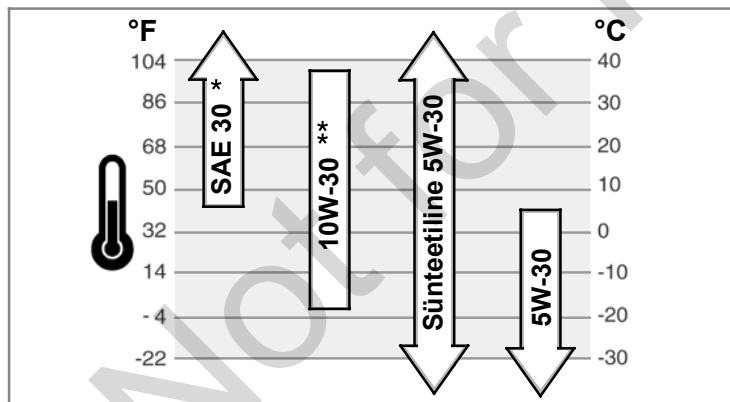
Kasutamine

Õli maht (vt peatükki **Tehnilised andmed**)

Soovitused õli kohta

Parima tulemuse saamiseks soovitame kasutada Briggsi & Strattoni sertifikaadiga õli. Lubatud on ka muud kvaliteetsed pesuõlid klassifikatsiooniga SF, SG, SH, SJ või kõrgemad. Ärge kasutage erilisi lisandeid.

Välitemperatuurist sõltub mootoriõli õige viskoossus. Kasutage kaarti, et valida eeldatavale välitemperatuurile õige viskoossus.



* SAE 30 kasutamine alla 4°C juures tingib raskelt käivitumist.

** Kõrgemal temperatuuril kui 27°C võib 10W-30 kasutamine põhjustada suurenenud õlitarbimist. Kontrollige sagedamini õlitaset.

Kuidas kontrollida/lisada õli - joonis 2

Enne õli lisamist või kontrollimist

- Seadke mootor horisontaalseks
 - Puhastage õlitäiteava ümbrus prahist.
1. Eemaldage õlivarras (A) ja pühkige seda puhta lapiga (joonis 2).
 2. Sisestage mõõtevarras täies ulatuses.
 3. Eemaldage õlivarras ja kontrollige õlitaset. Õli peaks ulatuma õlivardal oleva märke FULL (B) ülemise otsani.

4. Kui õli on vähe, kallake õli aeglaselt mootori õlitäiteavasse (C). **Ärge kallake liiga palju.** Pärast õli lisamist oodake üks minut ja kontrollige siis õlitaset.
5. Sisestage mõõtevarras täies ulatuses.

Õlirõhk

Kui õlirõhk on liiga madal, seiskab rõhulüliti (selle olemasolul) mootori või lülitab sisse hoiatusseadme. Sellisel juhul seisake mootor ja kontrollige õlitaset mõõtevarradega.

Kui õlitase on allpool tähist ADD, lisage õli, kuni tase ulatub tähiseni FULL. Käivitage mootor ja kontrollige rõhku enne töö jätkamist.

Kui õlitase on tähist ADD ja FULL vahepeal, **ärge käivitage** mootorit. Pöörduge Briggs & Strattoni volitatud esindusse, et õlirõhu probleem lahendada.

Kütusega seotud soovitus

Kütus peab vastama järgmistele nõuetele:

- Puhas, värske, pliivaba bensiin.
- Minimaalne oktaanarv 87/87 AKI (91 RON). Suurtel kõrgustel kasutamise korral vt allpool.
- On lubatud kasutada bensiini, mis sisaldab kuni 10% etanooli (piiritusbensiin) või kuni 15% MTBE (metüül-tert-butüüleeter).

MÄRKUS: Ärge kasutage heakskiiduta bensiine nagu nt E85. Ärge segage bensiini õliga ega muutke mootorit alternatiivsete kütustega töötamiseks. See kahjustab mootori osi ja **tühistab mootori garantii.**

Kütusesüsteemi kaitsmiseks vaigu sadestumise eest, segage kütusesse stabilisaatorit. Vt **Säilitamine.** Kõik kütused pole sarnased. Kui esineb probleeme käivitumisel või mootori töös, vahetage tarnijat või kütusemarki. See mootor on ette nähtud töötama bensiiniga. Heitmete kontrolli süsteem on EM (Engine Modifications).

Suured kõrgused

Kõrgustel üle 1524 meetri on nõutav bensiin oktaanarvuga vähemalt 85/85 AKI (89 RON). Heitmenormidele vastamiseks tuleb mootorit vastavalt kõrgusele seadistada. Seadistamata kasutus põhjustab madalamat jõudlust, suuremat kütusekulu ja lubatust rohkem heitmeid. Suurtel kõrgustel seadistamiseks pöörduge Briggs & Strattoni volitatud esindusse.

Mootori kasutamine kõrgustel alla 762 meetri suurte kõrguste varustusega ei ole soovitatav.

Kuidas lisada õli - joonis 3



HOIATUS



Bensiin ja selle aurud on väga tule- ja plahvatusohtlikud. Süttimine või plahvatus võib põhjustada raskeid põletushaavu või surma.

Kütuse lisamisel

- Lülitage mootor välja ja laske sel enne kütusepaagi korgi eemaldamist vähemalt 2 minuti jooksul jahtuda.
- Täitke kütusepaaki õues või hästiventileeritud ruumides.
- Ärge täitke kütusepaaki üle. Paisumisruumi jätmiseks ärge täitke üle kütusepaagi kaela.
- Hoidke kütust sädemete, lahtiste leekide, gaasiseadmete süüteleekide, kuumuse ning muude süüteallikate eest.
- Kontrollige regulaarselt, et kütusetorudes, paagis, korgis ja liitmikes ei oleks pragusid ega lekkeid. Vajadusel asendage defektne osa uuega.
- Kütuse mahavoolamise korral oodake enne mootori käivitamist kütuse aurustumiseni.

1. Puhastage kütusepaagi korgi ümbrus mustusest ja prügist. Eemaldage kork (A, joonis 3).
2. Täitke kütusepaak (B) kütusega. Jätke kütusele paisumisruumi, ärge täitke kütusepaagi kaela (C).
3. Asetage kütusepaagi kork tagasi.

Kuidas mootorit käivitada - joonis 4



HOIATUS



Käivitustrossi sissetõmbumisel liiguvad käsi ja käsivars mootori poole nii kiiresti, et te ei jõua sellest lahti lasta.

Tagajärjeks võivad olla luumurrud, luumõrad, marrastused või nikastused.

- Mootorit käivitades tõmmake trossi aeglaselt, kuni tunnete takistust; seejärel tõmmake kiiresti, et vältida tagasilööki.



HOIATUS



Bensiin ja selle aurud on väga tule- ja plahvatusohtlikud. Süttimine või plahvatus võib põhjustada raskeid põletushaavu või surma.

Mootori käivitamisel

- Veenduge, et süüteküünal, summuti, kütusepaagi kork ja õhufilter (selle olemasolul) on oma kohal ja kinnitatud.
- Ärge käituge eemaldatud süüteküünlaga mootorit.
- Kui mootor on bensiini täis, seadke õhuklapp (kui see on olemas) asendisse AVATUD/TÖÖ, seguklapp kiire töö asendisse ja käivitage, kuni mootor tööle hakkab.



HOIATUS



Mootoritest eraldub süsinikmonoksiidi, mis on lõhnatu, värvitu, mürgine gaas.

Süsinikmonoksiidi sissehingamine võib põhjustada iiveldust, minestamist või surma.

- Käivitage ja kasutage mootorit välitingimustes.
- Ärge käivitage ega kasutage mootorit suletud ruumis, isegi mitte siis, kui ukсед või aknad on avatud.

MÄRKUS: See Briggs & Strattoni mootor on tarnitud ilma õlita. Enne mootori käivitamist lisage kindlasti õli vastavalt selle juhendi ettekirjutustele. Kui käivitate mootori ilma õlita, tekitab see parandamatuid kahjustusi ja muudab garantii kehtetuks.

Märkus. Mõnedel mootoritel ja seadmetel on kaugjuhtimisnupud. Kaugjuhtimisnuppude asukohta ja kasutamist vt seadme kasutusjuhendist.

1. Kontrollige õlitaset. Vt peatükki **Kuidas kontrollida/lisada õli**.
2. Veenduge, et masin on välja lülitatud.
3. Lülitage kütuse sulgekklapp (A) selle olemasolul asendisse (joonis 4).
4. Vajutage stopplüliti (F), kui see on olemas, sisselülitatud asendisse.
5. Lükake seguklapp (B) tööasendisse . Laske mootoril töötada tööasendis .

6. Lükake õhuklapi hoob (C) õhuklapi asendisse.

Märkus: Sooja mootori taaskäivitamisel ei ole õhuklapi kasutamine tavaliselt vajalik.

7. **Tagasikerimiskäivitus:** Keerake võtme lüliti (D), kui see on olemas, käivitusasendisse.
8. **Tagasikerimiskäivitus:** Hoidke kõvasti starteri käepidemest (E). Tõmmake trossi aeglaselt, kuni tunnete takistust, seejärel tõmmake järsult.

Märkus: Kui mootor pärast korduva katseid ei käivitu, vaadake veebilehte **BRIGGSandSTRATTON.COM** või helistage **1-800-233-3723** (USA-s).



HOIATUS! Starteri trossi kiire tagasikerimine (tagasilöök) tõmbab kätt mootori poole väga kiiresti. Tagajärg: murdunud või möranenud luud, marrastused või venitused. Mootorit käivitades tõmmake trossi aeglaselt, kuni tunnete takistust, seejärel tõmmake kiiresti, et vältida tagasilööki.

9. **Elektriline käivitus:** Keerake elektrilise käivituse lüliti (D) töö/stardi asendisse.
Märkus: Kui mootor pärast korduva katseid ei käivitu, vaadake veebilehte **BRIGGSandSTRATTON.COM** või helistage **1-800-233-3723** (USA-s).
MÄRKUS: Kasutage starteri eluea pikendamiseks lühikesi käivitustsükleid (kõige enam viis sekundit). Enne uut käivitamist oodake minut aega.
10. Kuni mootor soojeneb, lükake õhuklapi hoob (C) töö asendisse.

Kuidas mootorit seisata - **joonis 4**



HOIATUS



Bensiin ja selle aurud on väga tule- ja plahvatusohtlikud. Süttimine või plahvatus võib põhjustada raskeid põletushaavu või surma.

- Ärge sulgege mootori seiskamiseks karburaatorit.

1. Viige seguklapp (B) aeglase töö asendisse, pöörake võti (D) väljalülitatud asendisse (joonis 4). Eemaldage võti ja hoidke seda turvalises kohas väljaspool laste käeulatus.
2. Vajutage stopplüliti (F), kui see on olemas, väljalülitatud asendisse.
3. Kui mootor on seiskunud, keerake kütuse sulgekklapp (A) (kui see on olemas) suletud asendisse.

et

Hooldamine

Soovitame mootori ja mootori osade mis tahes hoolduseks pöörduda Briggsi & Strattoni volitatud edasimüüja poole.

MÄRKUS: Kõik mootori ehitamisel kasutatud osad peavad jääma korrektse töö tagamiseks oma kohale.

Emissiooni kontrollimine

Heitmekontrolli seadmeid ja süsteeme võib hooldada, ümber vahetada või remontida iga (muude kui sõiduaudode) mootoreid parandav asutus või isik. Tasuta heitmekontrolliks tuleb pöörduda volitatud edasimüüja poole. Vt Heitmegarantii.



HOIATUS



Juhuslik säde võib põhjustada põlengu või elektrišoki.

Juhuslik käivitus võib kaasa tuua jäsemete vahelejäämise, küljestrebimise või vigastuse.



Tuleoht



Enne seadistamist või parandamist:

- Ühendage lahti süüteküünla juhe ja hoidke seda süüteküünlast eemal.
- Ühendage lahti aku miinusklapp (ainult elektrikäivitiga mootorite puhul).
- Kasutage ainult õigeid tööriistu.
- Ärge püüdke gaasihoova vedru, ühenduslüli või mõne muu detaili kallal nokitsemisega suurendada mootori pöördeid.
- Varuosad peavad olema sama kujuga ja paigaldatud samas asendis kui originaaldetailid. Muud varuosad ei pruugi niisama hästi toimida ning võivad kahjustada seadet ja põhjustada vigastusi.
- Ärge lööge hooratast haamri või muu kõva esemega, sest see võib põhjustada hooratta hilisema purunemise töö käigus.

Sädeme kontrollimisel:

- Kasutage heakskiidetud süüteküünlastestrit.
- Ärge kontrollige sädet, kui süüteküünal on eemaldatud.

Hooldustabel

Pärast esimest 5 tundi:

- Vahetage õli

Iga 8 tunni järel või iga päev

- Kontrollige mootori õlitaset
- Puhastage summuti ja juhtseadmete ümbrus

Iga 100 töötunni järel või kord aastas

- Puhastage õhufilter *
- Puhastage eelpuhasti (selle olemasolul) *
- Vahetage mootoriõli ja filter
- Vahetage välja süüteküünal
- Kontrollige summutit ja sädemepüüdurit
- Kontrollige klapiõtku **

Iga 400 töötunni järel või kord aastas

- Vahetage õhufilter
- Vahetage kütusefilter
- Puhastage õhkjahutussüsteemi *
- Puhastage õliradiaatori ribad *

* Tolmustes tingimustes või kergesti lenduva prügi korral puhastage sagedamini.

** Pole kohustuslik, kui mootor töötab probleemideta.

Karburaatori reguleerimine

Ärge kunagi karburaatorit ise seadistage. Karburaator on tehases seadistatud töötama mitmesugustes tingimustes. Kui seadistamine siiski on hädavajalik, pöörduge Briggsi & Strattoni volitatud esindusse.

MÄRKUS: Selle mootoriga masina valmistaja määrab kindlaks maksimaalsed pöördeid, mille juures mootor võib töötada. **Ärge ületage** nimetatud pöörete arvu.

Kuidas vahetada süüteküünalt - **joonis 5**

Kontrollige sädevahemikku (A, joonis 5) kaliibriga (B). Vajadusel reguleerige vahemikku. Paigaldage süüteküünal ja pingutage nõutud jõumomendini. Sädevahemiku ja jõumomendi kohta saate teavet peatükist **Tehnilised andmed**.

Märkus: Mõnedes piirkondades nõutakse süüteimpulssi summutava takistiga süüteküünla kasutamist. Kui Teie mootor oli algselt varustatud takistiga süüteküünlaga, kasutage sarnast süüteküünalt ka edaspidi.

Kontrollige summutit ja sädemepüüdurit - *joonis* 6



HOIATUS



Töötavast mootorist eraldub soojust. Mootori osad, eelkõige summuti, võivad olla väga kuumad.

Nende puudutamine võib kaasa tuua raskeid põletushaavu.



Põlevad jäägid, näiteks puulehed, rohulibled, kõrred jms võivad süttida.

- Laske summutil, mootorisilindril ja ribidel enne puudutamist jahtuda.
- Eemaldage summuti ja silindri piirkonnast sinna kogunenud praht.
- Mootori kasutamine või sellega töötamine metsa, rohu või pöösastega kaetud hooldamata alal on vastuolus California keskkonnakoodeksi peatükiga 4442, v.a juhul, kui väljalaskesüsteem on varustatud töökorras sädemepüüduriga, nagu sätestatud peatükis 4442. Teistes osariikides või föderaalaladel võivad kehtida sarnased seadused. Võtke ühendust seadme tootja, jaemüüja või edasimüüjaga, et hankida sädemepüüdur, mis vastab Teie mootori väljalaskesüsteemile.

Eemaldage summuti ja silindri ümbrusest sinna kogunenud prügi. Kontrollige summutit (A, joonis 6) pragude, rooste või muude kahjustuste suhtes. Eemaldage sädemepüüdja (B), kui see on olemas, ja veenduge, et sellel poleks kahjustusi ega tahmaummistusi. Kahjustuste avastamisel paigaldage enne kasutamist varuosad.



HOIATUS: Varuosad peavad olema sama kujuga ja paigaldatud samas asendis kui originaaldetailid. Muud varuosad ei pruugi niisama hästi toimida ning võivad kahjustada seadet ja põhjustada vigastusi.

Kuidas vahetada õli - *joonis* 8 9

Kasutatud õli on ohtlik jääkprodukt ning seda tuleb õigesti käidelda. Ärge valage olmeheitmete hulka. Pöörduge jäätmekäitus/ettevõtte leidmiseks kohaliku omavalitsuse, teeninduskeskuse või edasimüüja poole.

Õlist tühjendamine

1. Kui mootor on välja lülitatud, ent ikka veel soe, eemaldage süüteküünla juhe (A) ja hoidke seda süüteküünlast eemal (joonis 8).
2. Eemaldage õli väljavooluava kork (B, joonis 9). Laske õlil voolata sobivas mahutisse.
3. Kui õli on välja voolanud, asetage väljutusava kork tagasi ja keerake kinni.

Õlifiltri vahetamine (selle olemasolul)

Õlifilter on teatud mudelitel. Vahetamissagedusi vt *hoolduskaardilt*.

1. Laske õlil mootorist välja voolata. Vt lõiku **Õli eemaldamine**.
2. Eemaldage õlifilter (C) ja käideldge see õigesti. Vt joonis 9.
3. Enne uue õlifiltri paigaldamist niisutage õlifiltri tihendit kergelt uue puhta õliga.
4. Paigaldage õlifilter käsitsi, kuni tihend puutub õlifiltri adapterit, seejärel keerake õlifiltrit veel 1/2 kuni 3/4 pööret kinni.
5. Lisage õli. Vt lõiku **Lisage õli**.
6. Käivitage mootor ja laske sellel töötada. Mootori soojenedes kontrollige seda õlilekete suhtes.
7. Peatage mootor ja kontrollige õlitaset. Õli peaks ulatuma õlivardal oleva märgi FULL (F) ülemise otsani (joonis 8).

Lisage õli

- Seadke mootor horisontaalseks
 - Puhastage õlitäiteava ümbrus prahist.
 - Vt peatükki **Tehnilised andmed** õlikoguse määramiseks.
1. Eemaldage õlivarras (D) ja pühkige seda puhta lapiga (joonis 8).
 2. Kallake õli aeglaselt mootori õlitäiteavasse (E). **Ärge kallake liiga palju.** Pärast õli lisamist oodake üks minut ja kontrollige siis õlitaset.
 3. Pange õlivarras tagasi ja keerake kinni.
 4. Eemaldage õlivarras ja kontrollige õlitaset. Õli peaks ulatuma õlivardal oleva märgi FULL (F) ülemise otsani.
 5. Pange õlivarras tagasi ja keerake kinni.

Kuidas hooldada õhufiltrit - *joonis* 11 12



HOIATUS



Bensiin ja selle aurud on väga tule- ja plahvatusohtlikud.

Süttimine või plahvatus võib põhjustada raskeid põletushaavu või surma.



- Ärge käivitage mootorit, kui õhupuhasti või õhufilter (nende olemasolul) on eemaldatud.

MÄRKUS: Ärge kasutage filtri puhastamiseks suruõhku ega lahusteid. Suruõhk võib filtrit vigastada, lahustid lagundavad selle.

Pildil on kaht tüüpi õhufiltrisüsteemid. Nende hooldamiseks vt **Hoolduskaarti**.

1. **Ilma kütusepaagiga mudelid:** Avage sulgurid (A) ja eemaldage kaas (B). Vt joonis 11.
2. **Kütusepaagiga mudelid:** Eemaldage nupp (C) ja kaas (B). Vt joonis 12.
3. Eemaldage mutter (D) ja hoidik (E). Vt jooniseid 11 ja 12.
4. Eemaldage õhufilter (F).
5. Eemaldage õhufiltrist eelpuhasti (G) (selle olemasolul).
6. Mustuse kõrvaldamiseks koputage õhufiltrit kergelt vastu kõva pinda. Kui õhufilter on väga määrdunud, vahetage see välja.
7. Peske eelpuhastit vedelseebi ja veega. Laske sel õhu käes täielikult kuivada. **Ärge** õlitage eelpuhastit.
8. Ühendage kuiv eelpuhasti õhufiltriga.
9. Paigaldage õhufilter ning kinnitage hoidiku ja mutriga.
10. Paigaldage ja kinnitage kaas.

Kuidas vahetada kütusefiltrit - *joonis* 7



HOIATUS



Bensiin ja selle aurud on väga tule- ja plahvatusohtlikud.

Süttimine või plahvatus võib põhjustada raskeid põletushaavu või surma.



- Hoidke kütust sädemete, lahtiste leekide, gaasiseadmete süüteleekide, kuumuse ning muude süüteallikate eest.
- Kontrollige kütusetorusid, paaki, korki ja liitmikke regulaarselt pragude ja lekete suhtes. Vajadusel asendage.
- Enne kütusefiltri tagasiasetamist tühjendage kütusepaak või sulgege kütuse sulgeklapp.
- Varuosad peavad olema samasugused ja need tuleb paigaldada samasse asendisse kui originaalosasid.
- Kütuse mahavoolamise korral oodake enne mootori käivitamist kütuse aurustumiseni.

1. Enne kütusefiltri tagasiasetamist (A, joonis 7) (selle olemasolul) tühjendage kütusepaak või sulgege kütuse sulgeklapp. Vastasel juhul võib kütus lekkida ja põhjustada tulekahju või plahvatuset.
2. Kasutage klambrite (C) sakkide (B) kokkusurumiseks näpitsaid; seejärel libistage klambrit kütusefiltrist eemale. Keerake ja tõmmake kütusevoolikut (D) kütusefiltrist eemale.
3. Kontrollige kütusetorusid pragude ja lekete suhtes. Vajadusel vahetage välja.
4. Kasutage kütusefiltri vahetusfiltrina originaalset varufiltrit.
5. Muutke kütusetorud klambrite abil ohutuks, nagu joonisel näidatud.

Märkus. Tehases paigaldatud kütusepaagiga mootoritel võib olla kütusepaagi filter (E), vt joonis 3.

Kuidas puhastada jahutussüsteemi - *joonis* 10



HOIATUS



Töötavast mootorist eraldub soojust. Mootori osad, eelkõige summuti, võivad olla väga kuumad.

Nende puudutamine võib kaasa tuua raskeid põletushaavu.



Põlevad jäägid, näiteks puulehed, rohulibled, kõrred jms võivad süttida.

- Laske summutil, mootorisilindril ja ribidel enne puudutamist jahtuda.
- Eemaldage summuti ja silindri piirkonnast sinna kogunenud praht.

MÄRKUS: Ärge kasutage mootori puhastamiseks vett. Vesi võib kahjustada kütusesüsteemi. Kasutage mootori puhastamiseks harja või puhast riidetükki.

See mootor on õhkjahutusega. Mustus või praht võib õhuvoolu takistada ja mootor võib üle kuumeneda, mis omakorda tingib jõudluse vähenemist ja mootori eluea lühenemist. Kasutage prahi eemaldamiseks sõrmekaitse (A) küljest harja või kuuma lappi. Hoidke ühendused, vedrud ja juhtseadmed (B) puhtad. Hoidke summuti ümbrus ja tagune (C) puhas kergestiühtivaist jäätmeist (joonis 10). Veenduge, et õliradiaatori ribad (D) on mustusest ja prahist puhtad.

Säilitamine



HOIATUS



Bensiin ja selle aurud on väga tule- ja plahvatusohtlikud.

Süttimine või plahvatus võib põhjustada raskeid põletushaavu või surma.

Kütuse või paagis oleva kütusega seadmete hoiustamisel

- Ärge hoidke seadet kamina, ahju, veeboileri või muude süüteleegiga seadmete või süttimisallikate läheduses, sest need võivad süüdata kütuseaurud.

Kütusesüsteem

Kütus võib rikneda, kui seda säilitada üle 30 päeva. Riknenud kütus tekitab kütusesüsteemi ja karburaatori detailidele happe- ja vaigusadestisi. Kütuse värskena hoidmiseks kasutage Briggs & Strattoni FRESH START® kütusestabilisaatorit, mis on saadaval vedeliku või tilkuvu kapslina.

Kui kütusestabilisaatorit on lisatud nõuetekohaselt, pole tarvis kütust mootorist väljutada. Käivitage mootor 2 minutiks, et stabilisaator kütusesüsteemis leviks. Seejärel võib mootorit ja kütust säilitada kuni 24 kuud.

Kui mootoris olevat kütust ei ole stabilisaatoriga töödeldud, tuleb kütus väljutada sobivasse anumasse. Laske mootoril töötada, kuni see kütuse puudumisel seiskub. Säilitusanumas on soovitatav kasutada stabilisaatorit, et kütus värskena püsiks.

Mootoriõli

Vahetage mootoriõli siis, kui mootor on veel soe.

Tõrgete kõrvaldamine

Vajate abi? Küllastage kodulehte **BRIGGSandSTRATTON.COM** või helistage **1-800-233-3723**.

Tehnilised andmed

Mootori tehnilised andmed	
Mudel	290000
Töömaht	479 cm ³
Õõs	68 mm
Käigu pikkus	66 mm
Õli maht	1,36 - 1,42 l

Mootori tehnilised andmed	
Mudel	300000
Töömaht	479 cm ³
Õõs	68 mm
Käigu pikkus	66 mm
Õli maht	1,36 - 1,42 l

Mootori tehnilised andmed	
Mudel	350000
Töömaht	570 cm ³
Õõs	72 mm
Käigu pikkus	70 mm
Õli maht	1,36 - 1,42 l

Mootori tehnilised andmed	
Mudel	380000
Töömaht	627 cm ³
Õõs	75,5 mm
Käigu pikkus	70 mm
Õli maht	1,36 - 1,42 l

Seadistuse tehnilised andmed *	
Mudel	290000, 300000
Süüteküünla elektroodide vahe	0,76 mm
Süüteküünla jõumoment	20 Nm
Süütemagneeto õhupilu	0,20 - 0,30 mm
Sisselaskeklapi vahe	0,10 - 0,15 mm
Väljalaskeklapi vahe	0,10 - 0,15 mm

Seadistuse tehnilised andmed *	
Mudel	350000, 380000
Süüteküünla elektroodide vahe	0,76 mm
Süüteküünla jõumoment	20 Nm
Süütemagneeto õhupilu	0,20 - 0,30 mm
Sisselaskeklapi vahe	0,10 - 0,15 mm
Väljalaskeklapi vahe	0,10 - 0,15 mm

* Mootori võimsus väheneb 3,5% iga 300 meetri kohta üle merepinna ja 1% iga 5,6° C kohta üle 25° C. Mootor töötab rahuldavalt nurga all kuni 15°. Ohutute kasutuspiiride leidmiseks kallakute jaoks vt seadme kasutusjuhendit.

Tavalised varuosad ✓

Varuosa	Varuosa number
Õhufilter - kütusepaagiga	393957
Õhufilter - v.a mudel 380000	394018
Õhufilter - mudel 380000	692519
Õhufiltri eelpuhasti - kütusepaagiga	271794
Õhufiltri eelpuhasti - v.a mudel 380000	272490
Õhufiltri eelpuhasti - mudel 380000	692520
Õli - SAE 30	100028
Õlifilter - 6 cm pikk	492932
Õlifilter - 9 cm pikk	491056

Varuosa	Varuosa number
Kütusefilter - kütusepaagiga	808116
Kütusefilter - kütusepumbaga	691035
Kütusefilter - ilma kütusepumbata	298090
Kütuselisand	5041
Takistiga süüteküünal	491055
Pikaealine plaatina-süüteküünal	5066
Süüteküünla võti	19374
Süütetester	19368

✓ Soovitame mootori ja mootori osade hoolduseks pöörduda Briggs & Stratton'i volitatud edasimüüja poole.

PIIRATUD GARANTII

Briggs & Stratton Corporation parandab või asendab tasuta mis tahes osa või osad, millel on materjali- või tootmisviga või mõlemad. Parandamiseks või asendamiseks saadetud toote transpordikulud tasub ostja. See garantii kehtib allpool nimetatud ajaperioodil ja tingimustel. Garantiiteeninduse saamiseks pöörduge oma lähimaa volitatud teenindaja poole, kelle leiate kaardilt aadressil BRIGGSandSTRATTON.COM, helistades numbril 1-800-233-3723 või otsides telefoniraamatu kollastelt lehekülgedelt.

Muud erigarantiid puuduvad. Eeldatavad garantiid, kaasa arvatud need, mis on antud müüdavase suurendamiseks või erieesmärkidel, on piiratud ühe aastaga alates ostu sooritamise või kehtivad seadusega määratud perioodi vältel. Kõik muud eeldatavad garantiid on välistatud. Välistatud on vastutus seotud või põhjuslike kahjude eest, välja arvatud seadusega nõutavatel juhtudel. Mõni riik või osariik ei luba piiranguid eeldatava garantii kestusele ning mõni riik ja osariik ei luba välistada vastutust seotud või põhjustatud kahjude eest. Sellisel juhul ei pruugi ülaltoodud piirangud ja välistused Teie kohta kehtida. See garantii annab Teile teatud seaduslikud õigused, kuid Teil võib olla ka muid õigusi, mis on riigiti erinevad.

ÜLDISED GARANTIINGIMUSED * ▲

Kaubamärk/Toote tüüp	Erakasutus	Kommertskasutus
Vanguard™	2 aastat	2 aastat
Extended Life Series™; I/C®; Intek™ I/C®; Intek™ Pro; Professional Series™ Dura-Bore™ malmkorpusega; 850 Series™ Dura-Bore™ malmkorpusega; Snow Series MAX™ Dura-Bore™ malmkorpusega Kõigil teistel Briggs & Stratton mootoritel Dura-Bore™ malmist muhviga	2 aastat	1 aasta
Kõik teised Briggs & Stratton'i mootorid	2 aastat	90 päeva

* Need on meie üldised garantiitingimused, kuid vahel võivad lisanduda täiendavad garantiid, mis ei olnud juhendi ilmumise ajal määratletud. Mootori garantiitingimuste nimekirja leiate veebilehelt BRIGGSandSTRATTON.COM või pöördudes Briggs & Stratton Service'i volitatud esindusse.

▲ Kodugeneraatori seadmetel kasutatavatele mootoritele kehtib garantii üksnes kliendipoolse kasutuse korral. See garantii ei kehti mootoritele, kui seadmeid kasutatakse peavooluallikana tootmispaigal. **Võidusõitudes ja tasulistel või renditud võidusõiduradadel kasutatud mootoritele garantii ei kehti.**

Garantiiperiood algab kuupäevast, mil esimene tarbija või äri-lõppkasutaja toote ostab ning kestab ülal olevas tabelis näidatud perioodi ulatuses. Erakasutus tähendab jaetarbita poolset kasutamist kodumajapidamises. Ärikasutamise all mõistetakse kõiki muid kasutusviise, kaasa arvatud kommertseesmärkidel, sisetuleku saamiseks või rentimiseks. Kui mootorit on kasutatud mõnel perioodil kommertseesmärkidel, siis loetakse seda mootorit selle garantii mõttes ärikasutuses olevaks mootoriks.

Briggs & Strattoni toodetele garantii saamiseks pole registreerimine vajalik. Säilitage ostu tõendav dokument (ostukviitung). Kui Teil puudub esmase ostmise kuupäeva tõendav dokument, siis lähtutakse garantiiteenindusel garantiiperioodi pikkuse määramisel toote valmistamiskuupäevast.

Teie garantiist

Briggs & Stratton teeb meelsasti garantiiremondi ja vabandab ebamugavuste tekitamise pärast. Garantiiremonti võib teha iga volitatud esindus. Enamik garantiiremonte tehakse probleemideta, kuid vahel ei ole garantiiteenuse taotlus õigustatud.

Kui klient ei nõustu edasimüüja otsusega, viiakse garantii kehtivuse selgitamiseks läbi uurimine. Paluge edasimüüjal edastada kõik tõendid läbivaatuseks maaletoojale või tehasesse. Kui maaletooja või tehas leiab, et nõue on põhjendatud, hüvitatakse kliendile kõik defektid osad. Vältimaks kliendi ja edasimüüja vahelisi väärarvamusi, on allpool nimetatud mõned mootoririkete põhjused, mille puhul garantii ei kehti.

Harilik kulumine: Mootorid, nagu kõik mehaanilised osad vajavad korralikult töötamiseks perioodilist hooldamist ja ümbervahetamist. Garantiid ei kata remondikulud, kui mootori või selle osa eluiga on harilike kasutustingimuste juures ammendunud. Garantiid ei kehti, kui mootori kahjustus on tekkinud väärkasutusest, hooldamata jätmisest, eksimustest tarnimisel, transpordil, ladustamisel või paigaldamisel. Samuti muutub garantii kehtetuks, kui mootori seerianumber on kustutatud, mootorit on muudetud või ümber ehitatud.

Vale hooldamine: Mootori eluiga sõltub töötingimustest ja mootorile tehtavast hooldusest. Teatud seadmeid, nt freese, pumpi ja rootorniidekuid, kasutatakse sageli tolmustes ja mustades tingimustes, mis võivad põhjustada enneaegset kulumist. Mustusest, tolmust, süüteküünla puhastamisjäätikutest või muust mootoris ebaõige hoolduse tõttu sattunud abrasiivsest materjalist põhjustatud kulumine ei kuulu garantiiremondi alla.

Selle garantii alla kuuluvad ainult materjali- ja/või valmistamisvigadest põhjustatud mootoririked. Siia ei kuulu seadme asendamine või hüvitamine, kuhu mootor võib olla paigaldatud. Garantiid ei laiene ka järgmistest asjaoludest tingitud remondile:

- 1 Muudest kui Briggs & Stratton'i originaalvaruosadest põhjustatud probleemid.
- 2 Seadmete juhtseadised või seadmed, mis takistavad mootori käivitamist, põhjustavad mootori ebaõige funktsioneerimise või lühendavad mootori eluiga. (Võtke ühendust seadme valmistajaga.)
- 3 Karburaatorilekked, ummistunud kütusetoru, kinnikiilunud klappid või teised tõrked, mis on põhjustatud saastunud või vaigustunud kütuse kasutamisest.

- 4 Osad, mille pind on kahjustunud või mis on purunenud ebapiisava või saastunud määrdõli või vale õlimargi tõttu (kontrollige õlitaset ja taastäitke vajadusel). ÕLITASEME ANDUR ei pruugi töötavat mootorit seisata. Kui õlitase pole õige, võib mootor kahjustuda.
- 5 Muude kui Briggs & Strattoni toodetud abiosade või sõlmede, nt sidurite, jõuülekannete, kaugjuhtimiseseadmete jne remont või reguleerimine.
- 6 Osade kahjustumine või remont, mis on põhjustatud mustuse sattumisest mootoris õhupuhasüsteemi ebaõige hoolduse, kokkupaneku või mitte-originaalse õhupuhasüsteemi või filtripadrundi kasutamisest tõttu. Puhastage ja/või vahetage filter soovitatud ajavahemike järel, nagu kasutusjuhendis sätestatud.
- 7 Osade vigastamine ülemääraste mootoripöörete, rohu, prahist või mustusest tingitud ülekuumenemise tõttu (jahutusribid või hooratta ümbrus on ummistunud või saastunud) või mootori töötamisest ebapiisava ventilatsiooniga kohas. Puhastage mootor prahist soovitatud ajavahemike järel, nagu kasutusjuhendis sätestatud.
- 8 Mootori või seadmete purunemine ülemäärase vibratsiooni tõttu, mille on põhjustanud mootori lõtvunud kinnitused, lõtvunud löiketerad, tasakaalustamata pöörlevad osad, kadunud või tasakaalustamata tiivikud, seadmete ebaõige kinnitamine mootori väntvõlli külge, ülemäärased kõrged pöörded või muud töötamisel tekkinud häired.
- 9 Väntvõlli kõverdumine või purunemine, mis on põhjustatud rootorniiduki löiketera löögist vastu kõva objekti või ülemäärast v-rihma pingsusest.
- 10 Mootori tavapärane häälestamine või reguleerimine.
- 11 Mootori või selle komponentide, st põlemiskambri, klappide, klappipesade, klapi juhtpukside või põlenud käiviti mähiste tõttu, mis on põhjustatud alternatiivsete kütuste, nagu nafta, loodusliku gaasi, modifitseeritud bensiini vms, kasutamisest.

Garantiiteenindust saab ainult Briggs & Stratton Corporation'i volitatud edasimüüjalt. Oma lähima volitatud edasimüüja leiate meie otsingusüsteemist veebiaadressil BRIGGSandSTRATTON.com, helistades numbril 1-800-233-3723 või telefoniraamatu kollastel lehekülgedel oleva numbril.

OPĆI PODACI

Ovaj priručnik sadrži sigurnosne obavijesti koje vas moraju učiniti svjesnima opasnosti vezanih uz motore i uz načine izbjegavanja tih opasnosti. Ovdje se također nalaze upute o tome kako na pravilan način koristiti i održavati motor. Budući da Briggs & Stratton ne mora znati koji stroj će se pogoniti ovim motorom, važno je da pročitate i shvatite ove upute i upute koje se odnose na stroj koji će biti pogonjen ovim motorom. **Spremite ove originalne upute radi budućih potreba.**

Radi zamjenskih dijelova ili tehničke pomoći, zapišite dolje model motora, vrstu i kodne brojeve zajedno s datumom kupnje. Ovi brojevi se nalaze na vašem motoru (pogledajte stranicu **Funkcije i upravljanje**).

Datum kupnje: _____
MM/DD/YYYY

Model motora: _____
Model Vrsta: Kod:

Podaci o nazivnoj snazi motora.

Bruto snaga pojedinih modela benzinskih motora navedena je na pločici u skladu s SAE kodeksom (Society of Automotive Engineers) J1940 (Postupak određivanja snage i momenta na malim motorima) i karakteristike o snazi dobivene su i ispravljene u skladu sa SAE J1995 (Revizija 2002-05). Vrijednosti zakretnog momenta dobivene su pri brzini vrtnje od 3060 o/min; vrijednosti o snazi dobivene su pri 3600 o/min. Stvarna bruto snaga motora može biti manja i na nju utječu, između ostalog radni uvjeti okoline i različitosti od motora do motora. S obzirom na široki spektar uređaja na kojima su ugrađeni naši motori i raznolikosti pravila za zaštitu okoliša koja se primjenjuju pri radu s uređajem, benzinski motor neće razviti nazivnu bruto snagu kad se bude koristio na određenom radnom stroju (stvarna "terenska" ili neto snaga stroja). Ova razlika nastaje zbog raznolikosti utjecajnih faktora koji uključuju priključke, ali ne samo njih, (zračni filter, ispuh, punjenje, hlađenje, rasplinjač, pumpa za gorivo, itd.), ograničenja primjene, radni uvjeti okoline (temperatura, vlažnost, nadmorska visina), i razlike od motora do motora. Zbog ograničenja u proizvodnji i kapacitetima, Briggs & Stratton može izvršiti zamjenu nekog motora više nazivne snage motorom iz ove serije.

Sigurnost operatora

SIMBOLI ZA SIGURNOST I UPRAVLJANJE



Znak za upozorenje u vezi sa sigurnošću koristi se označavanje obavijesti o sigurnosti u vezi s opasnostima koje mogu dovesti do ozljeđivanja osoba. Riječ tumačenja (OPASNOST, UPOZORENJE ili OPREZ) koristi se zajedno sa simbolom upozorenja da bi ukazala na mogućnost i potencijalnu ozbiljnost ozljede. Uz to, simbol opasnosti može se koristiti da bi ukazao na vrstu opasnosti.

OPASNOST ukazuje na rizik koji će, ako se ne izbjegne, dovesti do smrti ili ozbiljne ozljede.

UPOZORENJE ukazuje na rizik koji, ako se ne izbjegne, može prouzročiti smrt ili ozbiljnu ozljedu.

OPREZ ukazuje na rizik koji, ako se ne izbjegne, može dovesti do lakše ili teže ozljede.

OPASNIJE Označava situaciju koja bi mogla rezultirati oštećenjem proizvoda.



UPOZORENJE

Određeni sastavni dijelovi u ovom proizvodu i njegova prateća oprema sadrže kemikalije za koje je poznato u državi Kaliforniji da kako izazivaju rak, deformacije pri rođenju i druga reproduktivna oštećenja. Operite ruke nakon rukovanja.



UPOZORENJE

Ispušni plinovi ovog proizvoda sadrže kemikalije poznate državi Kaliforniji kao izazivači raka, defekata kod rođenja ili drugih reproduktivnih oštećenja.



UPOZORENJE

Briggs & Stratton ne odobrava i ne dopušta uporabu ovih motora na vozilima s 3 kotača za sve terene, motociklima, zabavno/rekreacijskim go-kart vozilima, zrakoplovima ili vozilima namijenjenim uporabi u natjecateljske svrhe. Uporaba ovih motora u takvim uvjetima može dovesti do oštećenja stvari, ozbiljnih ozljeda (uključujući paralizu), ili čak smrti.

OPASNIJE: Ovaj motor je iz tvrtke Briggs & Stratton isporučen bez ulja. Prije nego pokrenete motor, pobrinite se da dolijete ulje u skladu s uputama. Ako motor pokrenete bez ulja, doći će do njegova oštećenja preko granice mogućeg popravka i to nije obuhvaćeno jamstvom.



UPOZORENJE



Gorivo i njegove pare izuzetno su zapaljivi i eksplozivni. Požar ili eksplozija mogu izazvati ozbiljne opekline ili smrt.

Prilikom dolijevanja goriva

- Ugasite motor i pustite da se hladi bar 2 minute prije skidanja čepa goriva.
- Puniti spremnik goriva na otvorenom ili u dobro ventiliranom prostoru.
- Nemojte prepuniti spremnik gorivom.. Da omogućite širenje goriva, nemojte ga puniti dalje od dna grla spremnika goriva.
- Benzin držite podalje od iskrenja, otvorenog plamena, inicijalizacijskih plamčića, vrućine i drugih izvora zapaljenja.
- Provjeravajte češće da na vodovima goriva, spremniku, poklopcu i spojevima nema napuknuća ili curenja. Zamijenite po potrebi.
- Ako se gorivo prolje, pričekajte dok ne ishlapi prije pokretanja motora.

Pri pokretanju motora

- Pazite na to da svječića, prigušivač, čep goriva i pročistač zraka (ako je ugrađen) budu na svome mjestu i učvršćeni.
- Nemojte kurbati motor sa skinutom svjećicom.
- Ako dođe do zalijevanja motora gorivom, postavite čok (ako postoji) u položaj OPEN/RUN, pomaknite gas (ako postoji) u položaj FAST i pokrećite sve dok motor ne upali.

Pri radu s uređajem

- Nemojte naginjati motor ili uređaj pod kutom pod kojim se gorivo može izliti.
- Nemojte čokom gušiti motor da ga zaustavite.
- Nikad nemojte pokretati motor ako su sklop pročistača (ako je ugrađen) ili zračni filter (ako je ugrađen) skinuti.

Pri zamjeni ulja

- Ako ulje ispuštate kroz gornju cijev za nalijevanje ulja, spremnik s gorivom mora biti prazan ili bi gorivo moglo istjecati te dovesti do požara ili eksplozije.

Kod prijevoza opreme

- Prijevoz vršite s PRAZIM spremnikom ili s ventilom za dovod goriva u položaju OFF.

Pri uskladištenju goriva ili uređaja s gorivom u spremniku

- Pohranite daleko od peći, kuhala, grijača vode ili drugih uređaja koji imaju inicijalizacijske plamčičke ili druge izvore paljenja jer oni mogu zapaliti pare goriva.



UPOZORENJE



Pokretanje motora uzrokuje iskrenje. Iskrenje može upaliti obiljne zapaljive plinove. Može doći do eksplozije i požara.

- Ako u blizini ističe prirodni ili LP plin, nemojte pokretati motor.
- Nemojte koristiti pokretačke tekućine u spreju jer su pare zapaljive.



UPOZORENJE



Motori ispuštaju ugljični monoksid, bez-mirisni, bezbojni, otrovni plin. Udisanje ugljičnog monoksida može izazvati mučninu, nesvijest ili smrt

- Pokrenite i pustite motor da radi vani.
- Nemojte pokretati i držati motor upaljenim u zatvorenom prostoru, čak ni ako su vrata i prozori otvoreni.



UPOZORENJE



Brzo vraćanje konopca za pokretanje (povratni udarac) povući će šaku i ruku prema motoru brže no što ga možete ispustiti.

Može doći do loma kostiju, fraktura, modrica ili iščašenja.

- Pri pokretanju motora, uže pokretača okrećite polagano sve dok ne osjetite otpor, zatim ga povucite naglo da izbjegnute povratni udarac.
- Odvojite sve vanjske dijelove opreme/opterećenja motora prije pokretanja.
- Izravno spojeni dijelovi uređaja poput, ali ne isključivo, noževa, krilaca, remenica, lančanika itd. moraju biti dobro pričvršćeni



UPOZORENJE



Dijelovi koji se vrte mogu dotaknuti ili zahvatiti ruke, noge, kosu, odjeću ili pomagala.

Može doći do traumatske amputacije ili teškog ranjavanja.

- Radite s opremom čiji štitnici su na svom mjestu.
- Ruke i noge držite dalje od dijelova koji se okreću.
- Vežite dugačku kosu i skinite nakit.
- Nemojte nositi široku odjeću, slobodne vezice ili nešto što se može zaplesti.



UPOZORENJE



Rad motora proizvodi toplinu. Dijelovi motora, naročito prigušivač, izuzetno se zagrijavaju.

Teške opekline mogu nastati pri dodiru.



Zapaljivi otpad poput lišća, trave, grmlja itd. može se upaliti.

- Pustite da se prigušivač, cilindri motora i krila ohlade prije dodirivanja.
- Odstranite nakupine nečistoće iz okoline prigušivača i cilindra.
- Upotreba motora na pošumljenom terenu, terenu punom žbunja ili nikog raslinja i trave ako ispušni sustav nije opremljen hvatačem iskre, kako je to definirano u odjeljku 4442, koji se održava u ispravnom stanju, predstavlja kršenje kodeksa o javnim resursima Kalifornije, odjeljak 4442. Druge države ili federalne jedinice mogu imati slične zakone. Kontaktirajte proizvođača originalne opreme, prodavača ili predstavnika radi nabavke hvatača iskre koji je predviđen za ispušni sustav koji je postavljen na motoru.



UPOZORENJE



Nenamjerno iskrenje može dovesti do požara ili strujnog udara.

Nenamjerno pokretanje može dovesti do zapetljanja, traumatske amputacije ili ranjavanja.



Opasnost od požara



Prije podešavanja ili popravljavanja:

- Odvojite kabel svječice i držite ga podalje od svječice.
- Odvojite bateriju na negativnom polu (samo za motore s električnim paljenjem).
- Koristite samo ispravne alate.
- Nemojte dirati opruge regulatora, veze ili druge dijelove radi povećavanja brzine motora.
- Zamjenski dijelovi moraju biti jednake izvedbe i moraju se ugraditi u istom položaju kao i originalni dijelovi. Drugi dijelovi neće raditi kako treba i mogu oštetiti jedinicu te dovesti do ozljede.
- Nemojte udarati po zamašnjaku čekićem ili tvrdim predmetima jer će to kasnije dovesti do vibracija zamašnjaka.

Kad provjeravate ima li iskre:

- Koristite odobreni ispitivač svječica.
- Nemojte provjeravati iskrnu dok je svječica skinuta.

Funkcije i upravljanje

Usporedite sliku **1** s vašim motorom kako biste se upoznali s položajem različitih funkcija i upravljanja.

A. Prepoznavanje motora Kod vrste modela

- B. Svjećica
- C. Pročistač zraka (bez spremnika goriva)
- D. Pročistač zraka (sa spremnikom goriva)
- E. Mjerna šipka
- F. Otvor za ulijevanje ulja
- G. Filtar ulja (dodatak)
- H. Čep za ispuštanje ulja
- I. Senzor tlaka ulja
- J. Štitnik za prste
- K. Elektropokretač
- L. Ručni pokretač (dodatak)
- M. Rasplinjač
- N. Prigušivač (dodatak)
- O. Pumpa za gorivo
- P. Sklopka za pokretanje *
- Q. Regulator gasa *
- R. Regulator čoka *
- S. Filtar za gorivo (dodatak)
- T. Spremnik za gorivo (dodatak)
- U. Isključivanje dovoda goriva (dodatak) *
- V. Sklopka za zaustavljanje (dodatak) *
- W. Hladnjak ulja (dodatak)

* Neki motori i oprema imaju daljinsko upravljanje. Lokaciju daljinskog upravljanja potražite u priručniku opreme.

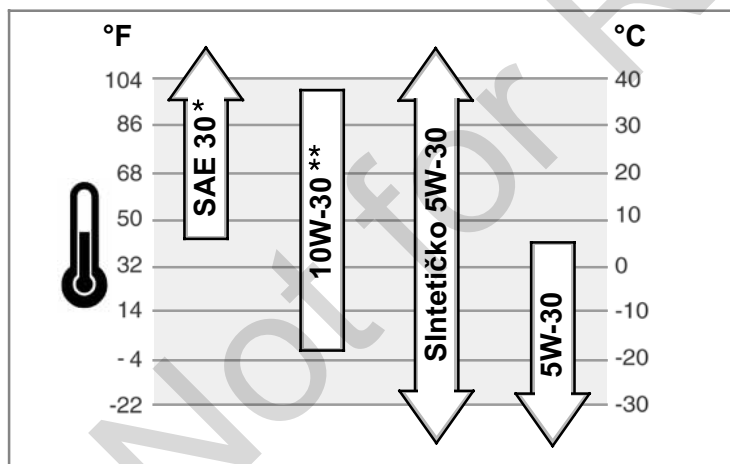
Rad

Kapacitet ulja (pogledajte odjeljak **Tehnički podaci**)

Preporuke u vezi s uljem

Preporučujemo upotrebu certificiranih ulja s jamstvom Briggs & Stratton za najbolji rad. Ostala visokokvalitetna deterđžentska ulja su prihvatljiva ako su razvrstana za rad SF, SG, SH, SJ ili više. Nemojte koristiti posebne aditive.

Vanjska temperatura određuje pravilni stupanj viskoziteta za motor. Pomoću tablice izaberite najbolji viskozitet za očekivani opseg vanjske temperature.



* Ispod 40°F (4°C) upotreba ulja SAE 30 će izazvati teškoće s pokretanjem.

** Iznad 80°F (27°C) upotreba 10W-30 može dovesti do povećane potrošnje ulja. Razinu ulja provjeravajte češće.

Kako provjeriti/Dopuniti ulje - slika **2**

Prije provjere ili dolijevanja ulja

- Motor postavite u vodoravni položaj.
 - Iz područja za ulijevanje ulja očistite sve nečistoće.
1. Izvadite mjernu šipku (A) i obrišite je čistom krpom (slika 2).
 2. Umetnite mjernu šipku do kraja.
 3. Izvadite mjernu šipku i provjerite razinu ulja. Ona mora biti do oznake full (B) na mjernoj šipki.

4. Ako je razina preniska, polako dolijevajte ulje u otvor za nalijevanje ulja (C). **Nemojte prepuniti.** Nakon dolijevanja ulja pričekajte jednu minutu i opet provjerite razinu ulja.
5. Umetnite mjernu šipku do kraja.

Tlak ulja

Ako je tlak ulja prenizak, sklopka za tlak ulja (ako je ugrađena) će ili zaustaviti rad motora ili aktivirati element za upozorenje na uređaju. Ako se to dogodi, zaustavite rad motora i provjerite razinu ulja na mjernoj šipki.

Ako je razina ispod oznake ADD, dolijte ulje sve dok razina ne dosegne oznaku FULL. Pokrenite motor i provjerite da li je tlak ispravan prije nego započnete s radom.

Ako se razina ulja nalazi između oznaka ADD i FULL, **nemojte pokretati** motor. Kontaktirajte ovlaštenog predstavnika Briggs & Stratton kako bi ispravio problem s tlakom ulja.

Preporuke u vezi goriva

Gorivo mora zadovoljiti ove zahtjeve:

- Čist, svjež, bezolovni benzin.
- Najmanje 87 oktana/87 AKI (91 RON). Za primjenu na velikoj nadmorskoj visini, pogledajte dolje.
- Prihvatljiv je benzin s dodatkom od najviše 10% etanola (gasohol) ili do 15% MTBE (metilni tercijarni butil eter).

OBAVIJEST: Nemojte koristiti neodobrena goriva, poput E85. Nemojte miješati ulje i benzin, niti nemojte vršiti izmjene na motoru za rad na alternativnim gorivima. Ovo će dovesti do oštećenja dijelova motora i učinit će **jamstvo za rad motora nevažećim**.

Radi zaštite sustava goriva od stvaranja gume, u gorivo pri ulijevanju pomiješajte stabilizator. Pogledajte **Skladištenje**. Sva goriva nisu jednaka. Ako budete imali poteškoća pri pokretanju ili u radu, promijenite dobavljača goriva ili promijenite marku goriva. Ovaj motor je certificiran za rad sa benzinom. Sustav kontrole ispuštanja za ovaj motor je EM (Engine Modifications (Izmjene na motoru)).

Velika nadmorska visina

Na nadmorskim visinama iznad 5,000 stopa (1524 metra), prihvatljiv je benzin od najmanje 85 oktana/85 AKI (89 RON). Da bi zadržala sukladnost sustava kontrole ispuštanja, potrebno je izvršiti podešavanja za veliku nadmorsku visinu. Rad bez ovog podešavanja će izazvati smanjena radna svojstva, povećanu potrošnju goriva i povećana ispuštanja. Podatke o podešavanju za veliku nadmorsku visinu potražite kod ovlaštenog predstavnika Briggs & Stratton.

Rad motora s kompletom za velike nadmorske visine se ne preporučuje na nadmorskim visinama ispod 2.500 stopa (762 metra).

Kako doliti gorivo - slika **3**



UPOZORENJE



Gorivo i njegove pare izuzetno su zapaljivi i eksplozivni. Požar ili eksplozija mogu izazvati ozbiljne opekline ili smrt.

Prilikom dolijevanja goriva

- Ugasite motor i pustite da se hladi bar 2 minute prije skidanja čepa goriva.
- Puniti spremnik goriva na otvorenom ili u dobro ventiliranom prostoru.
- Nemojte prepuniti spremnik gorivom.. Da omogućite širenje goriva, nemojte ga puniti dalje od dna grla spremnika goriva.
- Benzin držite podalje od iskrenja, otvorenog plamena, inicijalizacijskih plamičaka, vrućine i drugih izvora zapaljenja.
- Provjeravajte češće da na vodovima goriva, spremniku, poklopcu i spojevima nema napuknuća ili curenja. Zamijenite po potrebi.
- Ako se gorivo prolje, pričekajte dok ne ishlapi prije pokretanja motora.

1. Iz područja za ulijevanje goriva odstranite svu nečistoću. Skinite čep otvora za ulijevanje goriva (A, slika 3).
2. Napunite spremnik s (B) benzinom. Da omogućite širenje benzina, nemojte ga puniti dalje od dna grla spremnika goriva (C).
3. Vratite čep otvora za ulijevanje goriva.

Kako pokrenuti motor - slika **4**



UPOZORENJE



Brzo vraćanje konopca za pokretanje (povratni udarac) povući će šaku i ruku prema motoru brže no što ga možete ispustiti.

Može doći do loma kostiju, fraktura, modrica ili iščašenja.

- Pri pokretanju motora, uže pokretača okrećite polagano sve dok ne osjetite otpor, zatim ga povucite naglo da izbjegnute povratni udarac.



UPOZORENJE



Gorivo i njegove pare izuzetno su zapaljivi i eksplozivni. Požar ili eksplozija mogu izazvati ozbiljne opekline ili smrt.

Pri pokretanju motora

- Pazite na to da svjećica, prigušivač, čep goriva i pročistač zraka (ako je ugrađen) budu na svome mjestu i učvršćeni.
- Nemojte kurbati motor sa skinutom svjećicom.
- Ako dođe do zalijevanja motora gorivom, postavite čok (ako postoji) u položaj OPEN/RUN, pomaknite gas (ako postoji) u položaj FAST i pokrećite sve dok motor ne upali.



UPOZORENJE






Motora ispuštaju ugljični monoksid, bez-mirisni, bezbojni, otrovni plin. Udisanje ugljičnog monoksida može izazvati mučninu, nesvijest ili smrt.

- Pokrenite i pustite motor da radi vani.
- Nemojte pokretati i držati motor upaljenim u zatvorenom prostoru, čak ni ako su vrata i prozori otvoreni.


OBAVIJEST: Ovaj motor je iz tvrtke Briggs & Stratton isporučen bez ulja. Prije nego pokrenete motor, pobrinite se da dolijete ulje u skladu s uputama. Ako motor pokrenete bez ulja, doći će do njegova oštećenja preko granice mogućeg popravka i to nije obuhvaćeno jamstvom.

Napomena: Neki motori i oprema imaju daljinsko upravljanje. Lokaciju daljinskog upravljanja potražite u priručniku opreme.

1. Provjerite razinu ulja. Pogledajte odjeljak **Kako provjeriti/Doliti ulje**.
 2. Uvjerite se da su regulatori uređaja, ako postoje, isključeni.
 3. Okrenite ventil za dovod goriva (A), ako je ugrađen, u položaj on (slika 4).
 4. Gurnite sklopku za zaustavljanje (F), ako je ugrađena u položaj on.
 5. Pomaknite regulator gasa (B) u položaj fast . Radite s motorom s regulatorom gasa položaju fast .
 6. Pomaknite regulator čoka (C) u položaj .
 - Napomena:* Čok je obično nepotreban pri ponovnom paljenju toplog motora.
 7. **Ručno pokretanje:** Okrenite sklopku s ključem (D), ako je ugrađen, u položaj run.
 8. **Ručno pokretanje:** Čvrsto držite dršku užeta pokretača (E). Konopac povlačite polagano dok ne osjetite otpor, a zatim ga povucite brzo.
- Napomena:* Ako se motor ne pokrene nakon više pokušaja, posjetite **BRIGGSandSTRATTON.COM** ili pozovite **1-800-233-3723** (u SAD).



UPOZORENJE: Brzo vraćanje konopca za pokretanje (povratni udarac) povući će šaku i ruku prema motoru brže no što ga možete ispustiti. Može doći do loma kostiju, fraktura, modrica ili iščašenja. Kad pokrećete motor, konopac povlačite polagano dok ne osjetite otpor, a zatim ga povucite brzo da izbjegnute povratni udarac.

9. **Električno pokretanje:** Okrenite sklopku za električno pokretanje (D) u položaj on/start.
- Napomena:* Ako se motor ne pokrene nakon više pokušaja, posjetite **BRIGGSandSTRATTON.COM** ili pozovite **1-800-233-3723** (u SAD).
- OBAVIJEST:** Koristite kratke cikluse pokretanja (najviše pet sekundi) kako biste produžili životni vijek pokretača. Pričekajte jednu minutu između dva pokretanja.
10. Kad se motor zagrije, okrenite regulator čoka (C) u položaj za rad .

Kako zaustaviti motor - slika 4




UPOZORENJE



Gorivo i njegove pare izuzetno su zapaljivi i eksplozivni. Požar ili eksplozija mogu izazvati ozbiljne opekline ili smrt.

- Nemojte čokom gušiti motor da ga zaustavite.

1. Pomaknite regulator gasa (B) u položaj slow , okrenite sklopku s ključem (D) u položaj off (slika 4). Izvadite ključ i spremite ga na sigurno mjesto izvan dohvata djece.
2. Gurnite sklopku za zaustavljanje (F), ako je ugrađena, u položaj off
3. Kad se rad motora zaustavi, okrenite ventil za dovod goriva (A), ako je ugrađen, u zatvoreni položaj.

Održavanje

Preporučujemo vam da se obratite ovlaštenom Briggs & Stratton servisu za održavanje i servis motora i dijelova motora.

OBAVIJEST: Svi sastavni dijelovi moraju biti na svom mjestu kako bi ovaj motor radio ispravno.

Kontrola ispuštanja

Održavanje, zamjenu ili popravak uređaja i sustava za kontrolu emisije može obaviti bilo koja radionica ili osoba, a koji se bave popravcima malih motora. Međutim, kako biste ostvarili besplatni servis ili zamjenu dijela za kontrolu emisije rad mora obaviti tvornica ili ovlašteni distributer. Pogledajte jamstva o ispuštanjima



UPOZORENJE



Nenamjerno iskreće može dovesti do požara ili strujnog udara.



Nenamjerno pokretanje može dovesti do zapetljanja, traumatske amputacije ili ranjavanja.



Opasnost od požara

Prije podešavanja ili popravljaja:

- Odvojite kabel svjećice i držite ga podalje od svjećice.
- Odvojite bateriju na negativnom polu (samo za motore s električnim paljenjem).
- Koristite samo ispravne alate.
- Nemojte dirati opruge regulatora, veze ili druge dijelove radi povećavanja brzine motora.
- Zamjenski dijelovi moraju biti jednake izvedbe i moraju se ugraditi u istom položaju kao i originalni dijelovi. Drugi dijelovi neće raditi kako treba i mogu oštetiti jedinicu te dovesti do ozljede.
- Nemojte udarati po zamašnjaku čekićem ili tvrdim predmetima jer će to kasnije dovesti do vibracija zamašnjaka.

Kad provjeravate ima li iskre:

- Koristite odobreni ispitivač svjećica.
- Nemojte provjeravati iskrnu dok je svjećica skinuta.

Tablica održavanja

Nakon prvih 5 sati rada

- Promijenite ulje

Svakih 8 sati ili jednom dnevno

- Provjerite razinu ulja u motoru
- Očistite područje oko prigušivača i regulatora

Svakih 100 sati ili jednom godišnje

- Očistite zračni filtar *
- Očistite predfilter (ako je ugrađen) *
- Zamijenite motorno ulje i filtar
- Zamijenite svjećicu
- Pregledajte prigušivač i hvatač iskre
- Provjerite zazor ventila **

Svakih 400 sati ili jednom godišnje

- Zamijenite zračni filtar
- Zamijenite filtar za gorivo
- Očistite sustav za hlađenje motora *
- Očistite rebra hladnjaka za ulje *

* U prašnjavim uvjetima ili ako u zraku ima nečistoća, čišćenje izvršite češće.

** Nije potrebno osim ako se pojave problemi u radu motora.

Ugađanje rasplinjača

Nikad ne radite podešavanja na rasplinjaču. Rasplinjač je tvornički već podešen za efikasni rad pod većinom uvjeta. Međutim, ako su podešavanja potrebna, posjetite ovlašteni servis Briggs & Stratton.

UPOZORENJE: Proizvođač uređaja na koji je ovaj motor ugrađen preporučuje najvišu brzinu rada motora. **Nemojte** prekoračivati ovu brzinu.

Kako zamijeniti svjećicu - slika 5

Provjerite razmak elektroda (A, slika 5) žičanim mjeracem (B). Ako je potrebno podesite razmak. Postavite svjećicu i pritegnite je odgovarajućim momentom. Vrijednosti razmaka elektroda i momenta pritezanja svjećice potražite u odjeljku **Tehnički podaci**.

Napomena: U određenim područjima, lokalni propis zahtjeva uporabu svjećice s otpornikom da bi se spriječila radio smetnje koje nastaju pri paljenju. Ako je na ovom motoru ugrađena svjećica s otpornikom, pri njezinoj zamjeni koristite istovrsnu svjećicu.

Pregledajte prigušivač i hvatač iskre - slika 6



UPOZORENJE



Rad motora proizvodi toplinu. Dijelovi motora, naročito prigušivač, izuzetno se zagrijavaju.



Teške opekline mogu nastati pri dodiru.

Zapaljivi otpad poput lišća, trave, grmlja itd. može se upaliti.

- Pustite da se prigušivač, cilindri motora i krila ohlade prije dodirivanja.
- Odstranite nakupine nečistoće iz okoline prigušivača i cilindra.
- Kršenje je Kodeksa o javnim resursima Kalifornije, odjeljak 4442, ako na svim pošumljenim, grmovitim i travnatim površinama koristite motor koji nije opremljen hvatačem iskre koji je definiran u odjeljku 4442, koji se održava u dobrom stanju za rad. Druge države ili zakonodavni sustavi država mogu imati slične zakone. Kontaktirajte proizvođače originalne opreme, prodavača ili veletrgovca kako biste nabavili hvatač iskre koji je predviđen za montažu na ispušni sustav ovog motora.

Odstranite nakupine otpada iz područja prigušivača i cilindra. Pregledajte prigušivač (A, slika 6) da na njemu nema pukotina, korozije ili drugih oštećenja. Skinite hvatač iskre (B), ako je ugrađen i pregledajte da nema oštećenja ili začepjenosti ugljičnim naslagama. Ako otkrijete oštećenje, montirajte zamjenski dio prije pokretanja.



UPOZORENJE: Zamjenski dijelovi moraju biti jednake izvedbe i moraju se ugraditi u istom položaju kao i originalni dijelovi. Drugi dijelovi neće raditi kako treba i mogu oštetiti jedinicu te dovesti do ozljede.

Kako promijeniti ulje - slika 8 9

Iskorišteno ulje opasni je otpadni proizvod i mora se odložiti na prikladan način. Ne bacajte ga u kućni otpad. Provjerite s mjesnim vlastima, servisnim centrom ili zastupnikom gdje se nalazi postrojenje za sigurno odlaganje/reciklažu.

Ispustite ulje

1. Dok je motor isključen ali je još uvijek topao, odvojite kabel svjeće (A) i držite ga podalje od svjeće (slika 8).
2. Skinite čep za ispuštanje ulja (B, slika 9). Ispustite ulje u prikladni spremnik.
3. Kad ispuštite ulje, postavite i opet zategnite čep za ispuštanje.

Promijenite uljni filter (ako je ugrađen)

Neki modeli su opremljeni uljnim filtrom. Podatke o intervalima zamjene potražite u tablici **Održavanje**.

1. Ispustite ulje iz motora. Pogledajte odjeljak **Ispuštanje ulja**.
2. Skinite uljni filter (C) i odložite ga na prikladan način. Pogledajte sliku 9.
3. Prije postavljanja novog filtra, lagano nauljite brtvu filtra ulja svježim, čistim motornim uljem.
4. Završite uljni filter rukom sve dok brtva filtra ne dodirne adapter filtra ulja, zatim zategnite uljni filter 1/2 do 3/4 okretaja.
5. Dolijte ulje. Pogledajte odjeljak **Dodavanje ulja**.
6. Pokrenite motor i ostavite ga u radu. Kad se motor zagrije provjerite da negdje ne curi ulje.
7. Zaustavite rad motora i provjerite razinu ulja. Ona mora biti do oznake full (F) na mjernoj šipki (slika 8).

Dolijte ulje

- Motor postavite u vodoravni položaj.
 - Iz područja za ulijevanje ulja očistite sve nečistoće.
 - Pogledajte odjeljak **Tehnički podaci** radi kapaciteta ulja.
1. Izvadite mjernu šipku (D) i obrišite je čistom krpom (slika 8).
 2. Polako nalijevajte ulje u otvor za nalijevanje (E). **Nemojte prepuniti.** Nakon dolijevanja ulja pričekajte jednu minutu i zatim opet provjerite razinu ulja.
 3. Umetnite i pritegnite mjernu šipku.
 4. Izvadite mjernu šipku i provjerite razinu ulja. Ona mora biti do oznake full (F) na mjernoj šipki.
 5. Umetnite i pritegnite mjernu šipku.

Kako servisirati zračni filter - slika 11 12



UPOZORENJE



Gorivo i njegove pare izuzetno su zapaljivi i eksplozivni. Požar ili eksplozija mogu izazvati ozbiljne opekline ili smrt.



- Nikad nemojte pokretati motor ako su sklop pročistača (ako je ugrađen) ili zračni filter (ako je ugrađen) skinuti.

OBAVIJEST: Za čišćenje filtra nemojte koristiti komprimirani zrak ili otapala. Komprimirani zrak može oštetiti filter a otapala ga mogu rastvoriti.

Prikazane su dvije vrste sustava za filtriranje zraka. Pogledajte **Tablicu održavanja** radi potrebnih servisa.

1. **Modeli bez spremnika za gorivo:** Otvorite zasune (A) i skinite poklopac (B). Pogledajte Sliku 11.
2. **Modeli sa spremnikom za gorivo:** Skinite ručicu (C) i poklopac (B). Pogledajte sliku 12.
3. Skinite maticu (D) i držač (E). Pogledajte sliku 11 i 12.
4. Skinite zračni filter (F).
5. Skinite predfilter sa zračnog filtra (G), ako je ugrađen.
6. Da se odvoje nečistoće od filtra, lagano ga kucnite o tvrdu površinu. Ako je filter prekomjerno zaprljan, zamijenite ga novim.
7. Predfilter operite u tekućem deterdžentu i vodi. Zatim ga temeljito osušite na zraku. **Nemojte nauljivati** predfilter.
8. Postavite suhi predfilter na zračni filter.
9. Postavite zračni filter i pričvrstite ga držačem i maticom.
10. Postavite i pričvrstite novi filter.

Kako se mijenja filter za gorivo - slika 7



UPOZORENJE



Gorivo i njegove pare izuzetno su zapaljivi i eksplozivni. Požar ili eksplozija mogu izazvati ozbiljne opekline ili smrt.



- Benzin držite podalje od iskrenja, otvorenog plamena, inicijalizacijskih plamičaka, vrućine i drugih izvora zapaljenja.
- Provjeravajte češće vodove goriva, spremnik, poklopac i spojeve radi napuknuća ili curenja. Zamijenite ako je potrebno.
- Ispustite gorivo iz spremnika ili zatvorite ventil za dovod goriva prije zamjene filtra goriva.
- Zamjenski dijelovi moraju biti jednaki i postavljeni na istim mjestima kako i originalni dijelovi.
- Ako se gorivo prolje, pričekajte dok ne ishlapi prije pokretanja motora.

1. Prije zamjene filtra za gorivo (A, slika 7), ako je ugrađen, ispraznite spremnik s gorivom ili zatvorite ventil za dovod goriva. U protivnom bi moglo doći do istjecanja goriva što može dovesti do požara ili eksplozije.
2. Klijestima stisnite jezičke (B) na obujmicama (C), a zatim svucite obujmice s filtra za gorivo. Uvratite i svucite vodove za gorivo (D) s filtra za gorivo.
3. Provjerite da na vodovima za gorivo nema pukotina curenja. Po potrebi ih zamijenite.
4. Zamijenite filter s gorivom originalnim zamjenskim filtrom na uređaju.
5. Pričvrstite vodove za gorivo obujmicama kako je prikazano.

Napomena: Motori s tvornički montiranim spremnikom goriva mogu imati sito spremnika za gorivo (E), pogledajte sl. 3.

Kako očistiti sustav za hlađenje zrakom - slika 10



UPOZORENJE



Rad motora proizvodi toplinu. Dijelovi motora, naročito prigušivač, izuzetno se zagrijavaju.



Teške opekline mogu nastati pri dodiru.

Zapaljivi otpad poput lišća, trave, grmlja itd. može se upaliti.

- Pustite da se prigušivač, cilindri motora i krila ohlade prije dodirivanja.
- Odstranite nakupine nečistoće iz okoline prigušivača i cilindra.

OBAVIJEST: Nemojte vodom čistiti motor. Voda može onečistiti sustav goriva. Motor očistite četkom ili suhom krpom.

Ovo je motor sa zračnim hlađenjem. Prljavština ili nečistoća može ograničiti protok zraka te izazvati pregrijavanje motora, što će za posljedicu imati slabiji rad i skraćeni životni vijek motora.

Četkom ili suhom krpom odstranite nečistoću sa štitnika za prste/rotirajućeg zaslona (A). Polužje, opruge i regulatore održavajte (B) čistima. U prostoru iza i oko prigušivača (C) neka bude nikakvih zapaljivih nečistoća (slika 10). Pobrinite se da na rebrima hladnjaka za ulje (D) nema prljavštine ili nečistoće.

Skladištenje



UPOZORENJE



Gorivo i njegove pare izuzetno su zapaljivi i eksplozivni. Požar ili eksplozija mogu izazvati ozbiljne opekline ili smrt.



Pri uskladištenju goriva ili uređaja s gorivom u spremniku

- Pohranite daleko od peći, kuhala, grijača vode ili drugih uređaja koji imaju inicijalizacijske plamice ili druge izvore paljenja jer oni mogu zapaliti pare goriva.

Sustav goriva

Gorivo može postati ustajalo ako je uskladišteno dulje od 30 dana. Ustajalo gorivo izaziva kiseline i gumaste taloge u sustavu goriva ili na važnim dijelovima rasplinjača. Da gorivo ostane svježije koristite stabilizator goriva FRESH START®, koji je dostupan kao tekući dodatak ili kao patrona s kapajućim koncentratom.

Nema potrebe za ispuštanjem benzina iz motora ako je stabilizator dodan prema uputama. Neka motor radi 2 minute kako bi se stabilizator rasporedio po sustavu za gorivo. Motor i gorivo se mogu uskladištiti do 24 mjeseca.

Ako gorivo prije skladištenja nije bilo obrađeno stabilizatorom, mora se ispustiti iz motora u prikladan spremnik. Pustite motor da radi dok se ne zaustavi zbog pomanjkanja goriva. Za održavanje svježine goriva se preporučuje korištenje stabilizatora goriva u spremniku goriva.

Motorno ulje

Dok je motor još uvijek zagrijan, promijenite ulje.

Rješavanje problema

Potrebna vam je pomoć? Pođite na BRIGGSandSTRATTON.COM ili pozovite **1-800-233-3723**.

Tehnički podaci

Tehnički podaci motora	
Model	290000
Radni volumen	29,23 ci (479 ccm)
Otvor cilindra	2,677 in (68 mm)
Hod klipa	2,598 in (66 mm)
Kapacitet spremnika ulja	46 - 48 oz (1,36 - 1,42 L)

Tehnički podaci motora	
Model	300000
Radni volumen	29,23 ci (479 ccm)
Otvor cilindra	2,677 in (68 mm)
Hod klipa	2,598 in (66 mm)
Kapacitet spremnika ulja	46 - 48 oz (1,36 - 1,42 L)

Tehnički podaci motora	
Model	350000
Radni volumen	34,78 ci (570 ccm)
Otvor cilindra	2,835 in (72 mm)
Hod klipa	2,756 in (70 mm)
Kapacitet spremnika ulja	46 - 48 oz (1,36 - 1,42 L)

Tehnički podaci motora	
Model	380000
Radni volumen	38,26 ci (627 ccm)
Otvor cilindra	2,972 in (75,5 mm)
Hod klipa	2,756 in (70 mm)
Kapacitet spremnika ulja	46 - 48 oz (1,36 - 1,42 L)

Podaci za podešavanje	
Model	290000, 300000
Zazor svječice	0,030 in (0,76 mm)
Moment pritezanja svječice	180 lb-in (20 Nm)
Zazor rotora	0,008 - 0,012 in (0,20 - 0,30 mm)
Zazor usisnog ventila	0,004 - 0,006 in (0,10 - 0,15 mm)
Zazor ispušnog ventila	0,004 - 0,006 in (0,10 - 0,15 mm)

Podaci za podešavanje	
Model	350000, 380000
Zazor svječice	0,030 in (0,76 mm)
Moment pritezanja svječice	180 lb-in (20 Nm)
Zazor rotora	0,008 - 0,012 in (0,20 - 0,30 mm)
Zazor usisnog ventila	0,004 - 0,006 in (0,10 - 0,15 mm)
Zazor ispušnog ventila	0,004 - 0,006 in (0,10 - 0,15 mm)

* Snaga motora će se smanjiti za 3,5% na svakih 1.000 stopa (300 metara) nadmorske visine i za 1% na svakih 10° F (5,6° C) iznad 77° F (25° C). Rad motora će biti zadovoljavajući do kutova nagiba od 15°. Pogledajte u upute za operatera radi podataka o dopuštenim sigurnosnim ograničenjima pri radu na usponima.

Najčešći servisni dijelovi ✓

Servisni dio	Broj dijela
Zračni filter – sa spremnikom za gorivo	393957
Zračni filter – osim modela 380000	394018
Zračni filter – model 380000	692519
Predfilter zračnog filtra – sa spremnikom za gorivo	271794
Predfilter zračnog filtra – osim modela 380000	272490
Predfilter zračnog filtra – model 380000	692520
Ulje – SAE 30	100028
Filter ulja - 6 cm duljine	492932
Filter ulja - 9 cm duljine	491056

Servisni dio	Broj dijela
Filter za gorivo – sa spremnikom za gorivo	808116
Filter za gorivo - s pumpom za gorivo	691035
Filter za gorivo – bez pumpe za gorivo	298090
Dodatak za gorivo	5041
Svječica s otpornikom	491055
Dugovječna platinasta svječica	5066
Ključ za svječicu	19374
Ispitivač iskre	19368

✓ Preporučujemo vam da se obratite ovlaštenom Briggs & Stratton servisu za održavanje i servis motora i dijelova motora.

OGRANIČENO JAMSTVO

Korporacija Briggs & Stratton će besplatno popraviti ili zamijeniti svaki dio ili dijelove motora s greškom u materijalu ili izradi ili oboma. Troškove prijevoza dijelova poslanih na popravak ili zamjenu u smislu ovog jamstva mora snositi kupac. Ovo jamstvo vrijedi unutar dolje navedenog vremenskog razdoblja i pod dolje navedenim uvjetima. Za popravak u jamstvenom roku kontaktirajte najbližega ovlaštenog servisera navedenog u karti za lociranje servisera na stranici BRIGGSandSTRATTON.com ili pozivom na broj 1-800-233-3723, ili onaj koji je naveden u "Žutim stranicama".

Ne postoje druga izričita jamstva. Implicirana jamstva, uključujući ona o dopuštenosti prodaje i o odgovaranju za posebnu namjenu ograničena su na razbolje od jedne godine nakon kupnje ili ako to zakon dopušta, svako i sva implicirana jamstva su isključena. Sva odgovornost za slučajnu štetu i štetu koja iz toga proizlazi isključena je ako je zakonom dopušteno. U nekim državama ili zemljama nije dopušteno ograničenje trajanja impliciranog jamstva, a u nekim državama ili zemljama nije dopušteno isključenje ili ograničenje slučajne štete ili štete koja iz toga proizlazi, tako da se možda gore navedena ograničenja i isključenja ne odnose na vas. Ovo jamstvo daje vam specifična zakonska prava, a možete imati i druga prava koja se razlikuju od države do države i od zemlje do zemlje.

STANDARDNI UVJETI JAMSTVA * ▲

Marka/Vrsta proizvoda	Privatno korištenje	Komercijalno korištenje
Vanguard™	2 godine	2 godine
Extended Life Series™; I/C®; Intek™ I/C®; Intek™ Pro; Professional Series™ s košuljicom od Dura-Bore™ lijevanog žaljeza; 850 Series™ s košuljicom od Dura-Bore™ lijevanog žaljeza; Snow Series MAX™ s košuljicom od Dura-Bore™ lijevanog žaljeza Svi drugi motori Briggs & Stratton koje karakterizira Dura-Bore™ košuljica od lijevanog željeza	2 godine	1 godina
Svi drugi motori Briggs & Stratton	2 godine	90 dana

* Ovo su naši standardni uvjeti jamstva, no ponekad može postojati obuhvaćenost jamstvom koja nije bila definirana u vrijeme objave ovog materijala. Ispis trenutnih uvjeta jamstva za vaš motor potražite na BRIGGSandSTRATTON.COM ili kontaktirajte ovlaštenog Briggs & Stratton servisnog predstavnika.

▲ Motori koji se koriste u primjenama s kućnim generatorom u stanju mirovanja imaju jamstvo samo za privatno korištenje. Ovo jamstvo ne vrijedi za motore koji se koriste na opremi koja je primarni izvor napajanja na mjestu postrojenja. **Motori koji se koriste za natjecateljske utrke ili na komercijalnim ili iznajmljivim stazama nisu obuhvaćeni jamstvom.**

Jamstveni period počinje danom kupovine prvog korisnika ili komercijalnog krajnjeg korisnika i traje do isteka perioda naznačenog u gornjoj tablici. Korišten u ovoj polici, izraz "privatno korištenje" znači korištenje prvog vlasnika u vlastitom kućanstvu. "Komercijalno korištenje" znači sva ostala korištenja, uključujući korištenje s komercijalnom svrhom ostvarivanja zarade ili iznajmljivanja. Od trenutka kad je motor bio jednom upotrijebljen u komercijalne svrhe, za potrebe ovog jamstva smatra ga se motorom u komercijalnom korištenju.

Nije potrebna nikakva jamstvena evidencija da bi se dobilo jamstvo za briggs & stratton proizvode. Čuvajte vaš račun koji dokazuje kupovinu. Ako prilikom traženja usluge popravka u jamstvenom roku ne predočite dokaz o datumu prve kupovine, upotrijebit će se datum proizvodnje da bi se odredio jamstveni period.

O vašem jamstvu

Briggs & Stratton će rado obaviti popravak u jamstvenom roku i ispričava se na neugodnostima koje ste pretrpjeli. Popravak u jamstvenom roku može obaviti bilo koji ovlašten servisier. Većina popravaka u jamstvenom roku se obavljaju rutinski, ali su ponekad zahtjevi za popravak u jamstvenom roku neosnovani.

Ako se kupac ne slaže s odlukom servisera, provest će se ispitivanje kako bi se odredilo da li jamstvo vrijedi. Zatražite od servisera da distributeru ili tvornici na uvid dostavi sve relevantne podatke. Ako distributer ili tvornica utvrde da je zahtjev osnovan, kupac će biti u cijelosti oštećen za neispravne dijelove. Radi izbjegavanja nesporazuma do kojih može doći između kupca i trgovca, ovdje su navedeni razlozi neispravnosti motora koji nisu obuhvaćeni jamstvom.

Normalno trošenje: Motori, kao i svi mehanički uređaji, trebaju periodičko servisiranje i zamjenu dijelova kako bi dobro radili. Jamstvom nije obuhvaćen popravak kad se neki dio ili motor istroše normalnom uporabom. Jamstvo ne vrijedi ako je motor oštećen zbog pogrešnog rukovanja, nedostatka osnovnog održavanja, prijevoza, rukovanja, skladištenja ili nepravilne montaže. Isto tako, jamstvo ne vrijedi ako je serijski broj uklonjen s motora ili ako je motor pretrpio preinake ili izmjene.

Nepravilno održavanje: Životni vijek motora ovisi o uvjetima u kojima radi te brizi koja mu se poklanja. Neki uređaji koje on pokreće kao što su plugovi, pumpe i rotacione kosilice obično rade u prljavim uvjetima koji mogu izazvati prerano habanje. Takvo habanje, izazvano nečistoćom, prašinom, sredstvom za čišćenje svjećice ili drugim abrazivnim sredstvima koja dospiju u motor zbog nepravilnog održavanja, nije obuhvaćeno jamstvom.

Jamstvo obuhvaća samo greške u materijalu i/ili izradi vezane uz motor, a ne zamjenu ili naknadu za stroj na koji se motor priključuje. Jamstvo isto tako ne obuhvaća ni popravke potrebne zbog:

- 1 Problema izazvanih dijelovima koji nisu originalni dijelovi Briggs & Stratton.
- 2 Regulatori ili instalacija priključene opreme koja onemogućava pokretanje, izaziva nezadovoljavajući rad motora ili mu skraćuje rok trajanja. (Kontaktirajte proizvođača opreme.)

- 3 Propuštanja rasplinjača, začepljenih vodova za gorivo, zaglavljenih ventila ili drugih oštećenja izazvanih korištenjem nečistog goriva.
- 4 Dijelova koji su izgareni ili slomljeni jer je motor radio s nedovoljnom količinom ili s onečišćenim uljem za podmazivanje ili s uljem za podmazivanje nepravilne gradacije (Provjerite ga i dopunite kad je potrebno i zamijenite u preporučenim intervalima.) ČUVAR ULJA ne može ugasisi motor. Može doći do oštećenja motora ako se razina ulja ne održava odgovarajuće.
- 5 Popravkom ili podešavanjem pridruženih dijelova ili sklopova poput spojki, prijenosa, daljinskih upravljača, itd., koji nisu proizvod Briggs & Strattona.
- 6 Oštećenja ili istrošenost dijelova izazvanih nečistoćom koja je ušla u motor zbog nepravilnog održavanja, ponovne montaže pročištača zraka ili zbog korištenja neoriginalnih elemenata ili uložaka pročištača zraka. U preporučenim intervalima očistite i/ili zamijenite filter kako je i opisano u Korisničkom priručniku.
- 7 Oštećenja dijelova zbog prebrzog rada motora ili zbog pregrijavanja prouzročenog travom ili nečistoćom koja je zapunila rebra za hlađenje ili prostor zamašnjaka, ili oštećenjem zbog korištenja motora u zatvorenom prostoru bez pravilne ventilacije. Očistite nečistoću s motora u preporučenim intervalima kako je to navedeno u Korisničkom priručniku.
- 8 Dijelova motora ili priključenih strojeva polomljenih velikim vibracijama izazvanim olabavljenim nosačem motora ili noževima kosačice, neizbalansiranim noževima ili labavim ili neizbalansiranim rotorima, nepravilnim priključkom opreme na radilicu motora, rada prevelikom brzinom ili drugim nepravilnim rukovanjem.
- 9 Savijanjem ili lomom radilice zbog udarca noža kosilice u neki tvrdi predmet ili zbog prezategnutosi klinastih remena.
- 10 Rutinskim podešavanjem motora.
- 11 Kvarom motora ili njegovih komponenti kao što su komora za sagorijevanje, ventili, sjedišta ventila, vodilice ventila ili izgorjeli namoti elektropokretača, a sve izazvano alternativnim gorivima poput zemnog ulja, prirodnog plina, izmijenjenih benzina, itd.

Jamstvena usluga je dostupna samo preko mreže ovlaštenih servisnih predstavnika Briggs & Stratton. Pronađite vama najbližega ovlaštenog servisera navedenog u karti za lociranje servisera BRIGGSandSTRATTON.com ili pozivom na 1-800-233-3723 ili navedeno u 'Žutim stranicama'.

Általános információ

Biztonsági tudnivalókat tartalmaz ezen útmutató, hogy felhívja a figyelmet a motorokhoz kapcsolódó veszélyekre és kockázatokra, illetve ezek elkerülésének módzataira. A motor helyes gondozására és használatára vonatkozó útmutatásokat is tartalmaz. Mivel a Briggs & Stratton Corporation nem feltétlenül tudja, milyen berendezést fog ez a motor hajtani, fontos, hogy elolvassa és megértse ezen, valamint a motor által meghajtott berendezésre vonatkozó útmutatásokat. **Későbbi utánanézés céljából őrizze meg ezen eredeti útmutatásokat.**

Pótalkatrészek beszerzéséhez vagy műszaki támogatáshoz alább jegyezze fel a motor modell, típus és kódszámát a vásárlás időpontjával együtt. Ezen számok a motorján találhatóak (lásd a **Funkciók és kezelőszervek** című oldalt).

Vásárlás dátuma: _____
HH/NN/ÉÉÉÉ

Motor modell: _____
Modell: Típus: Kódszám:


Motor teljesítmény-besorolására vonatkozó információ


A bruttó teljesítmény-besorolás egyedi gázmotor modellek esetében az SAE (Autómérnökök Egyesülete) kódjának megfelelően történik, J1940 (Kisméretű motorok teljesítmény és nyomaték besorolása), és a névleges teljesítmény az SAE J1995 (2002-05 átdolgozás) szerint van megállapítva és módosítva. A nyomaték értékek 3 060 percnkénti fordulatszámúak; a lóerő értékek 3 600 percnkénti fordulatszámúak kerültek meghatározásra. A tényleges bruttó névleges teljesítmény alacsonyabb lesz, melyet többek között, a környezeti feltételek, és a motor és motor közötti különbségek befolyásolnak. Adva van mind a termékek széles választéka, melyeken a motorok elhelyezkednek, és a környezeti jellemzők változatossága, melyek hatnak a berendezés működtetésére, a gázmotor nem adja le a névleges teljesítményt, amikor egy adott motoros berendezésben használják (tényleges "helyszíni" vagy hajtó lóerő). Ezen eltérés többféle tényezőre vezethető vissza beleértve, de nem korlátozva a tartozékokra (levegőszűrő, kipufogó, adagoló, hűtő, porlasztó, üzemanyag-szivattyú, stb.), alkalmazási körtökre, üzemeltetés helyi körülményeire (hőmérséklet, páratartalom, magasság), és a motor és motor közötti különbségekre. A gyártási és kapacitási korlátok miatt, a Briggs & Stratton e széria esetében nagyobb névleges teljesítményű motorral helyettesíthet egy motort.

Kezelő biztonsága

BIZTONSÁGI ÉS VEZÉRLÉSI JELZÉSEK



A biztonságra figyelmeztető jel  olyan kockázatokra vonatkozó biztonsági információkat jelez, melyek személyi sérüléseket okozhatnak. A figyelemfelhívó szó (VESZÉLY, FIGYELMEZTETÉS vagy FIGYELEM) a figyelmeztető jelzettel együtt használatos annak jelzésére, hogy a mekkora a lehetséges sérülés valószínűsége és súlyossága. Továbbá egy kockázati jel is használatos a kockázat jellegének feltüntetésére.

 **VESZÉLY** egy kockázatot jelez, aminek ha nem kerülük el **halál vagy súlyos sérülés a következménye.**

 **FIGYELMEZTETÉS** egy kockázatot jelez, aminek ha nem kerülük el, **halál vagy súlyos sérülés a következménye.**

 **FIGYELEM** egy olyan kockázatot jelez, melynek ha nem kerülük el, **kisebb vagy közepes sérülés lehet a következménye.**

MEGJEGYZÉS olyan körülményt jelez, melynek **következménye a termék károsodása lehet.**



FIGYELMEZTETÉS

E termék bizonyos alkatrészei és a velük kapcsolatos tartozékok olyan vegyszereket tartalmaznak, melyeket Kalifornia Államban rákkeltőknek, születési rendellenességeket okozóknak és a reprodukív rendszerre káros hatásúnak ismernek. Mosson kezet a velük való érintkezés után.



FIGYELMEZTETÉS

Ennek a terméknek a motor kipufogógázai Kalifornia állam hatóságai előtt ismert olyan anyagokat tartalmaznak, amelyek rákot, születési rendellenességeket vagy egyéb a szaporodást befolyásoló ártalmat okoznak.



FIGYELMEZTETÉS

A Briggs & Stratton nem hagyja jóvá illetve nem engedélyezi e motorok háromkerékű mindenféle terepre alkalmas járműveken (ATV-k), motorkerékpárokon, játék/szórakozási célú gokartokon, légi járműveken vagy versenyjárműveken való használatát. A motor emített járművekben való használata anyagi kárt, illetve súlyos sérülést (beleértve a bénulást) vagy akár halálesetet okozhat.

MEGJEGYZÉS: Ezt a motort a Briggs & Stratton olaj nélkül szállítja. A motor indítása előtt, ezen útmutató útmutatásai szerint töltsön be olajat. Ha olaj nélkül indítja el a motort, akkor a motor javíthatatlanul károsodást szenved, és nem esik a garancia hatálya alá.



FIGYELMEZTETÉS



Az üzemanyag és gőzei rendkívül gyúlékony és robbanásveszélyes anyagok.



A tűz vagy a robbanás komoly égési sérüléseket vagy halált okozhat.

Üzemanyag betöltésekor

- Állítsa le a motort és hagyja legalább 2 percig hűlni, mielőtt leveszi az üzemanyagtartály-sapkát.
- Az üzemanyagtartályt szabadban vagy jól szellőző helyen töltsse fel.
- Ne töltsse túl az üzemanyagtartályt. A benzin tágulásának lehetővé tételére ne töltsse az üzemanyagtartályt nyakának alja fölé.
- Az üzemanyagot szikrától, nyílt lángtól, őrlángtól, hőtől és más gyújtószerkezettől tartsa távol.
- Ellenőrizze az üzemanyagvezetékeket, a tankot, a sapkát és az illesztéseket repedések vagy szivárgások szempontjából. Ha szükséges, cserélje ki ezeket.
- Ha kifolyik az üzemanyag, várjon a motor indítása előtt, amíg elpárolog.

Motor indításakor

- Bizonyosodjon meg arról, hogy a gyújtógyertya, a kipufogódob, az üzemanyagtartály sapkája és a levegőszűrő (ha be van szerelve) a helyén van-e és rögzítve van-e.
- Ne indítózson, ha a gyújtógyertya nincs a helyén.
- Ha a porlasztó túlfolyik, akkor állítsa a szívatót (ha be van szerelve) OPEN (NYITVA)/RUN (MŰKÖDÉS) állásba, a gázszabályozót (ha be van szerelve) állítsa FAST (GYORS) állásba és indítózson, amíg a motor be nem indul.

Berendezés működésekor

- Ne döntse meg annyira a motort vagy a berendezést, hogy az üzemanyag kilöttyenését okozza.
- A motort ne a porlasztó szivatasával állítsa le.
- Soha ne indítsa úgy a motort, hogy ki van szerelve a levegőszűrő szerelvény (ha be van szerelve) vagy a levegőszűrő (ha be van szerelve).

Olajcsere esetén

- Ha az olajat a felső olajbetöltő csövön keresztül engedi le, akkor az üzemanyagtartálynak üresnek kell lennie, ellenkező esetben kifolyhat az üzemanyag és tüzet vagy robbanást okoz.

Berendezés szállításakor

- ÜRES üzemanyagtartállyal vagy KI állásban lévő elzárószelleppel szállítsa.

Üzemanyag vagy olyan berendezés tárolása, amelynek üzemanyagtartályában üzemanyag van.

- Kazánoktól, tűzhelyektől, vízmelegítőtől vagy más olyan berendezésektől távol helyezze el, amelyek gyújtólánggal vagy gyújtószerkezettel vannak ellátva távol tárolja, mivel ezek meggyújthatják az üzemanyag kipárolgást.



FIGYELMEZTETÉS



A motor indítása szikrázást okoz.



A szikrázás gyúlékony gázok közelében azok meggyulladását eredményezheti.

Ennek robbanás és tűz lehet az eredménye.

- Ha a környezetben földgáz vagy cseppfolyósított petróleum-alapú gáz szivárgás történik, akkor ne indítsa el a motort.
- Ne alkalmazzon nyomás alatt lévő hidegindítókat, mert a gőzök gyúlékonyak.



FIGYELMEZTETÉS



A motorok szénmonoxidot bocsátanak ki, ez szagtalan, színtelen, mérgező gáz.

A szénmonoxid belélegzése hányingert, ájulást vagy halált okozhat.

- A motort szabadban indítsa és működtesse.
- Ne indítsa, és ne járassa a motort zárt térben, még akkor sem, amikor az ajtók vagy ablakok nyitva vannak.



FIGYELMEZTETÉS



A berántózsínór gyors visszahúzása (visszarúgás) a kezét és a karját gyorsabban húzza a motor felé, mint ahogy azt engedni tudja.

Csonttörés, roncsolás, rándulás vagy ficam lehet az eredménye.

- A motor indításakor lassan húzza a berántózsínórt, amíg ellenállást nem érez, majd a visszarúgás elkerülésére gyorsan rántsa meg.
- A motor indítása előtt távolítsa el minden külső berendezést/motorterhelést.
- A berendezés közvetlenül rákapcsolt alkatrészeit, mint lapátokat, járókerekeket, ékszíjtárcsákat, lánckerekeket, stb. biztonságosan rögzíteni kell.



FIGYELMEZTETÉS



A forgó alkatrészek érintkezésbe kerülhetnek a kézzel, lábbal, hajjal, ruházattal és más, a testen viselt tárgyakkal, vagy beleakadhatnak azokba.

Ennek balesetből eredő amputáció vagy súlyos bőrsérülés lehet az eredménye.

- A berendezés működtetésekor a védőberendezéseknek a helyükön kell lenniük.
- Forgó alkatrészekről tartsa távol kezeit és lábait.
- A hosszú hajat kösse fel, és vegye le az ékszereket.
- Ne viseljen bő ruhát, lógó húzózsínórokat, vagy olyan ruhadarabokat, amelyeket a gép elkaphat.



FIGYELMEZTETÉS



A járó motorok hőt termelnek. A motor alkatrészek, különösképpen a kipufogódob rendkívül felforrósodnak.



Ha hozzáérnek, komoly égési sérülések keletkezhetnek.

A gyúlékony hulladék, pl. lomb, fű, cserje stb. meggyulladhatnak.

- Hagyja lehűlni a kipufogódobot, a motorhengert és a bordákat, mielőtt hozzáér.
- Az összegyűlt hulladékot távolítsa el a hangtompító környékéről és a henger környezetéből.
- A Kaliforniai közösségi erőforrás törvény 4442. szakasza megsértésének számít, ha erdővel, bokrokkal vagy gyeppel borított földterületen a motort úgy használják vagy működtetik, hogy kipufogórendszer nincs ténylegesen üzemképes állapotban lévő, a 4442 szakaszban meghatározott, szikrafogóval felszerelve. Más államok vagy a szövetségi törvényei hasonló törvényeket tartalmazhatnak. Lépjen kapcsolatba az eredeti gyártóval, kiskereskedővel vagy viszonteladóval e motor kipufogórendszeréhez meghatározott szikrafogó beszerzése érdekében.



FIGYELMEZTETÉS



Véletlen szikraképződés tüzet vagy áramütést okozhat.



A véletlen indítás balesetből eredő amputációt vagy zúzott sebeket okozhat.



Tűzveszély

Beállítások vagy javítások végzése előtt:

- Bontsa a gyújtógyertya vezetékének csatlakozását, és tartsa távol a gyújtógyertyától.
- Bontsa az akkumulátor csatlakozását a negatív pólusnál (csak elektromos indítással rendelkező motorok esetében.)
- Csak megfelelő szerszámokat használjon.
- Ne piszkálja a szabályozó rugót, összekötéseket vagy más alkatrészeket a motor sebességének növelése érdekében.
- Ugyanolyan kivitelűnek kell a pótalkatrészeknek lenniük, és ugyanarra a helyre kell beszerelni azokat, mint az eredeti alkatrészeket. Lehet, hogy más alkatrészek nem teljesítenek olyan jól, károsodhat az egység és sérülés lehet az eredménye.
- Ne üsse meg a lendkereket kalapáccsal vagy egyéb kemény tárggyal, mivel a lendkerék később működés közben összetörhet.

Gyújtás ellenőrzései:

- Jóváhagyott gyújtógyertya tesztet használjon.
- Ne ellenőrizze a gyújtást, amikor a gyújtógyertya nincs a helyén.

Funkciók és kezelőszervek

Hasonlítsa össze az ábrát **1** a motorjával, hogy megismerkedjen a különböző funkciók és kezelőszervek elhelyezésével.

- A. Motorszám
- Modell Típus Kódszám**
- B. Gyújtógyertya
- C. Levegőszűrő (üzemanyagtartály nélkül)
- D. Levegőszűrő (üzemanyagtartállyal)
- E. Olajsztintjelző pálcá
- F. Olajtöltés
- G. Olajszűrő (választható)
- H. Olajleeresztő csavar
- I. Olajnyomás-érzékelő
- J. Ujjvédő
- K. Elektromos önindító
- L. Rugóerős indító (választható)
- M. Porlasztó
- N. Kipufogódob (választható)
- O. Üzemanyag-szivattyú
- P. Indítókapcsoló *
- Q. Gázszabályozó *
- R. Szivatókar *
- S. Üzemanyagszűrő (külön rendelhető)
- T. Üzemanyagtartály (választható)
- U. Üzemanyag-elzáró (választható) *
- V. Leállító kapcsoló (külön rendelhető) *
- W. Olajhűtő (választható)

* Egyes motorok és berendezések távvezérlővel vannak ellátva. A távvezérlő helyének és működésének ismertetését a berendezés útmutatójában találja meg.

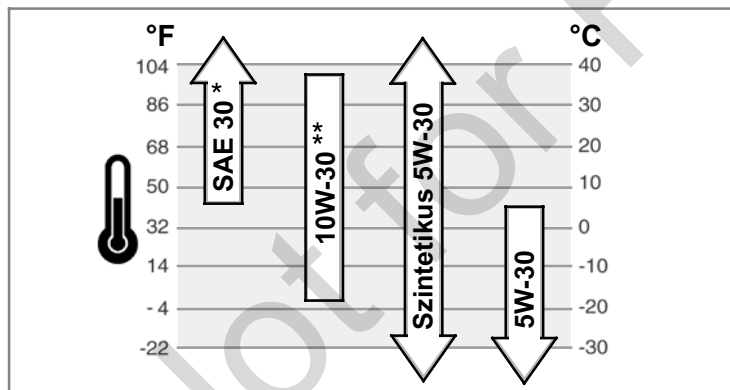
Működés

Olajtérfigat (lásd a **Műszaki jellemzők** című részt)

Ajánlott olajminőségek

A legjobb teljesítmény elérésére ajánljuk a Briggs & Stratton jótállási bizonylattal rendelkező olajakat. Más jó minőségű detergenstartalmú kenőolajak akkor használhatóak, ha teljesítményszint besorolásuk SF, SG, SH, SJ vagy nagyobb. Ne használjon adalékokat.

A környezeti hőmérséklet határozza meg a motor számára a megfelelő olaj viszkozitást. A feltételezett külső hőmérsékleti tartománynak leginkább megfelelő viszkozitás kiválasztására használja a diagramot.



* 40°F (4°C) alatt az SAE 30 használata nehéz indítást okoz.

** 80°F (27°C) felett a 10W-30 használata megnövekedett olajfogyasztást okoz. Gyakrabban ellenőrizze az olajsztintet.

Az olaj ellenőrzése/betöltése - ábra 2

Olaj betöltése és ellenőrzése előtt

- Állítsa vízszintes helyzetbe a motort.
 - Az olajbetöltő területet tisztítsa meg a portól.
1. Vegye ki az olajsztintjelző pálcát (A), és tiszta kendővel törölje le (ábra 2).
 2. Az olajsztintjelző pálcát ütközésig tolja be.
 3. Vegye ki az olajsztintjelző pálcát, és ellenőrizze az olajsztintet. Az olajsztintjelző pálcá tele jelzésének (B) a tetején kell lennie.
 4. Ha alacsony, akkor lassan öntse az olajat a motor olajbetöltő nyílásába (C). **Ne töltse túl.** Az olaj betöltése után várjon egy percig, majd ellenőrizze az olajsztintet.

5. Az olajsztintjelző pálcát ütközésig tolja be.

Olajnyomás

Ha túl alacsony az olajnyomás, akkor egy nyomáskapcsoló (ha be van szerelve) leállítja a motort vagy a berendezésen aktivál egy jelzőeszközt. Ha ez történik, akkor állítsa le a motort és az olajsztintjelző pálcával ellenőrizze az olajsztintet.

Ha az olajsztint az ADD (TÖLTÉS) jel alatt van, akkor annyi olajat töltsön bele, hogy az elérje a FULL (TELE) jelzést. Indítsa be a motort és a használat folytatása előtt ellenőrizze, hogy megfelelő-e a nyomás.

Ha az olajsztint az ADD (TÖLTÉS) és FULL (TELE) jelzések között van, akkor **ne indítsa be** a motort. Az olajnyomás probléma kijavítására forduljon egy Hivatalos Briggs & Stratton szervizállomáshoz.

Ajánlott üzemanyag-minőségek

Az üzemanyagnak meg kell felelni e követelményeknek:

- Tiszta, friss, ólommentes benzin.
- Minimális 87 oktánszám/87 AKI (91 RON). Nagy magasságban való működtetésnél, lásd alább.
- Maximum 10% etanol (gazohol) vagy maximum 15% MTBE (metil-tercier-butil-éter) tartalom elfogadható.

MEGJEGYZÉS: Ne használjon jóvá nem hagyott benzinfajtákat, mint E85. Ne keverjen olajat a benzínbe, illetve ne módosítsa a motort, hogy más üzemanyagokkal működjön. Ez károsítja a motor alkatelmeit, és **érvényteleníti a motor garanciát.**

Az üzemanyag-ellátó rendszer kátránylerakódás elleni védelmére keverjen üzemanyag stabilizátort adalékot az üzemanyagba. Lásd **Tárolás**. Nem minden üzemanyag egyforma. Ha teljesítményproblémák jelentkeznek, akkor cseréljen üzemanyag-forgalmazót vagy cseréljen márkát. Ez a motor benzinnel történő működésére lett tanúsítva. A károsanyag-kibocsátást szabályozó rendszer EM (Motoron eszközölt módosítások).

Nagy magasságban történő használat

5 000 láb (1524 méter) feletti magasságokban, minimum 85-ös oktánszámú/85 AKI (89 RON) benzin használata elfogadható. Hogy a károsanyag-kibocsátásnak megfelelő maradjon, nagy magasság számára megfelelő beállítás szükséges. E beállítás nélküli működtetés csökkenő teljesítményt, növekvő üzemanyag-fogyasztást és megnövekedett károsanyag-kibocsátást okoz. Keressen fel egy Hivatalos Briggs & Stratton szervizállomást a nagy magasság számára megfelelő beállításra vonatkozó információért.

A nagy magassági készlettel való működtetés 2 500 láb (762 méter) alatt nem ajánlott.

Üzemanyag betöltése - ábra 3



FIGYELMEZTETÉS



Az üzemanyag és gőzei rendkívül gyúlékony és robbanásveszélyes anyagok.



A tűz vagy a robbanás komoly égési sérüléseket vagy halált okozhat.

Üzemanyag betöltésekor

- Állítsa le a motort és hagyja legalább 2 percig hűlni, mielőtt leveszi az üzemanyagtartály-sapkát.
- Az üzemanyagtartályt szabadban vagy jól szellőző helyen töltsen fel.
- Ne töltsen túl az üzemanyagtartályt. A benzin túlgululásának lehetővé tételére ne töltsen az üzemanyagtartály nyakának alja fölé.
- Az üzemanyagot szikrától, nyílt lángtól, őr lángtól, hőtől és más gyújtószervezettől tartsa távol.
- Ellenőrizze az üzemanyagvezetékeket, a tankot, a sapkát és az illesztéseket repedések vagy szivárgások szempontjából. Ha szükséges, cserélje ki ezeket.
- Ha kifolyik az üzemanyag, várjon a motor indítása előtt, amíg elpárolog.

1. A szennyeződéstől és nyusedéktől tisztítsa meg az üzemanyagtartály-sapká környékét. Vegye le az üzemanyagtartály-sapkát (A, ábra 3).
2. Töltsen fel benzinnel az üzemanyagtartályt (B). A benzin túlgululásának lehetővé tételére ne töltsen az üzemanyagtartály nyakának alja fölé (C).
3. Tegye vissza az üzemanyagtartály-sapkát.

A motor indítása - ábra 4



FIGYELMEZTETÉS



A berántószinór gyors visszahúzása (visszarúgás) a kezét és a karját gyorsabban húzza a motor felé, mint ahogy azt engedni tudja.

Csonttörés, roncsolás, rándulás vagy ficam lehet az eredménye.

- A motor indításakor lassan húzza a berántószinórt, amíg ellenállást nem érez, majd a visszahúzás elkerülésére gyorsan rántsa meg.

FIGYELMEZTETÉS

Az üzemanyag és gőzei rendkívül gyúlékony és robbanásveszélyes anyagok.

A tűz vagy a robbanás komoly égési sérüléseket vagy halált okozhat.

Motor indításakor

- Bizonyosodjon meg arról, hogy a gyújtógyertya, a kipufogódob, az üzemanyagtartály sapkája és a levegőszűrő (ha be van szerelve) a helyén van-e és rögzítve van-e.
- Ne indításon, ha a gyújtógyertya nincs a helyén.
- Ha a porlasztó túlfolyik, akkor állítsa a szivatót (ha be van szerelve) OPEN (NYITVA)/RUN (MŰKÖDÉS) állásba, a gázsabályozót (ha be van szerelve) állítsa FAST (GYORS) állásba és indításon, amíg a motor be nem indul.

FIGYELMEZTETÉS

A motorok szénmonoxidot bocsátanak ki, ez szagtalan, színtelen, mérgező gáz..

A szénmonoxid belélegzése hányingert, ájulást vagy halált okozhat.

- A motort szabadban indítsa és működtesse.
- Ne indítsa, és ne járassa a motort zárt térben, még akkor sem, amikor az ajtókat vagy ablakokat nyitva vannak.

MEGJEGYZÉS: Ezt a motort a Briggs & Stratton olaj nélkül szállítja. A motor indítása előtt, ezen útmutató útmutatásai szerint töltsön be olajat. Ha olaj nélkül indítja el a motort, akkor a motor javíthatatlanul károsodást szenved, és nem esik a garancia hatálya alá.

Megjegyzés: Egyes motorok és berendezések távvezérlővel vannak ellátva. A távvezérlő helyének és működésének ismertetését a berendezés útmutatójában találja meg.

- Ellenőrizze az olajszintet. Lásd **Olaj ellenőrzése/Olaj betöltése** című részeket.
- Ellenőrizze, hogy a berendezés hajtásszabályozó kezelőszerveit, ha vannak, ki vannak-e kapcsolva.
- Az üzemanyag-elzáró szelepet (A), ha be van szerelve, fordítsa a be állásba (ábra 4).
- A leállító kapcsolóval (F) rendelkező motoroknál a kapcsolót állítsa be helyzetbe.
- A gázsabályozót (B) mozgassa a gyors helyzetbe . A motort a gázsabályozó gyors helyzetbe állításával működtesse.
- A szivatókart (C), vagy a szivató/gázsabályozó kombinált kart mozgassa a szivátás helyzetbe.

Megjegyzés: Meleg motor újraindítása esetén a szivató használata általában felesleges.

- Rugóerős indító:** Az indítókulcsot (D), ha be van szerelve, fordítsa működés helyzetbe.
- Rugóerős indító:** Erősen tartsa a berántózsínór fogantyúját (E). Lassan addig húzza a berántózsínór fogantyúját, amíg ellenállást nem érez, majd hirtelen rántsa meg.
Megjegyzés: Ha a motor több kísérlet után sem indul, akkor keresse fel a **BRIGGSandSTRATTON.COM** honlapot vagy ezen **1-800-233-3723** (az Egyesült Államokban) telefonszámot hívja.

FIGYELMEZTETÉS: A berántózsínór gyors visszahúzása (visszarugás) a kezét és a karját gyorsabban húzza a motor felé, mint ahogy azt engedni tudja. Törött csontok, törések, roncsolások vagy ficamok a következményei. A motor indításakor lassan húzza meg a zsinórt addig, amíg ellenállást nem érez, majd gyorsan rántsa meg, hogy elkerülje a visszarugást.

- Elektromos indítás:** Az elektromos indítókulcsot (D) fordítsa be/start helyzetbe.
Megjegyzés: Ha a motor több kísérlet után sem indul, akkor keresse fel a **BRIGGSandSTRATTON.COM** honlapot vagy ezen **1-800-233-3723** (az Egyesült Államokban) telefonszámot hívja.
MEGJEGYZÉS: Az önindító élettartamának növelésére rövid indítási ciklusokat használjon (maximum öt másodperc). Két indítási ciklus között várjon egy percet.
- Amint a motor felmelegedett állítsa a szivatókart (C) a működés helyzetbe.

A motor leállítása - ábra 4

FIGYELMEZTETÉS

Az üzemanyag és gőzei rendkívül gyúlékony és robbanásveszélyes anyagok.

A tűz vagy a robbanás komoly égési sérüléseket vagy halált okozhat.

- A motort ne a porlasztó szivátásával állítsa le.

- A gázsabályozó (B) kart mozgassa a lassú helyzetbe, fordítsa az indítókulcsot (D) ki helyzetbe (ábra 4). Vegye ki a kulcsot, és tegye biztonságos helyre, ahol gyermekek nem férhetnek hozzá.
- Állítsa a leállító kapcsolót (F), ha be van szerelve, ki helyzetbe.
- Miután leállt a motor az üzemanyag-elzáró szelepet (A), ha be van szerelve, fordítsa zárt állásba.

Karbantartás

Javasoljuk, hogy a motor és motor alkatrészek bármely karbantartását és szervizelését Hivatalos Briggs & Stratton szervizállomáson végeztesse.

MEGJEGYZÉS: Minden alkatrésznek, melyet ebbe a motorba építettek a helyén kell maradnia a megfelelő működés érdekében.

Károsanyag-kibocsátás

A károsanyag-kibocsátást szabályozó eszközök vagy a rendszer karbantartását, cseréjét vagy javítását bármely nem közúti motor javításával foglalkozó szervezet vagy személy elvégezheti. Azonban a "díjmentes" károsanyag-kibocsátás szabályozás javításhoz a munkát a gyár hivatalos szervizállomásán kell elvégeztetni. Lásd Károsanyag-kibocsátási garancia.

FIGYELMEZTETÉS

Véletlen szikraképződés tüzet vagy áramütést okozhat.

A véletlen indítás balesetből eredő amputációt vagy zúzott sebeket okozhat.

Tűzveszély

Beállítások vagy javítások végzése előtt:

- Bontsa a gyújtógyertya vezetékének csatlakozását, és tartsa távol a gyújtógyertyától.
- Bontsa az akkumulátor csatlakozását a negatív pólusnál (csak elektromos indítással rendelkező motorok esetében.)
- Csak megfelelő szerszámokat használjon.
- Ne piszkálja a szabályozó rugót, összekötéseket vagy más alkatrészeket a motor sebességének növelése érdekében.
- Ugyanolyan kivételnek kell a pótalkatrészeknek lenniük, és ugyanarra a helyre kell beszerelni azokat, mint az eredeti alkatrészeket. Lehet, hogy más alkatrészek nem teljesítenek olyan jól, károsodhat az egység és sérülés lehet az eredménye.
- Ne üsse meg a lendkereket kalapáccsal vagy egyéb kemény tárggyal, mivel a lendkerék később működés közben összetörhet.

Gyújtás ellenőrzések:

- Jóváhagyott gyújtógyertya tesztet használjon.
- Ne ellenőrizze a gyújtást, amikor a gyújtógyertya nincs a helyén.

Karbantartási táblázat

Első 5 üzemóra
<ul style="list-style-type: none"> Olajcsere
8 üzemóránként vagy naponta
<ul style="list-style-type: none"> Ellenőrizze az olajszintet Tisztítsa meg a kipufogódob és a kezelőszervek körüli területet
Minden 100 óra elteltével vagy évente
<ul style="list-style-type: none"> Tisztítsa meg a levegőszűrőt * Tisztítsa meg az előszűrőt (ha be van szerelve) * Cseréljen motorolajat és szűrőt Cserélje ki a gyújtógyertyát Ellenőrizze a kipufogódobot és a szikrafogót Ellenőrizze a szelephézagot **
Minden 400 óra elteltével vagy évente
<ul style="list-style-type: none"> Cseréljen levegőszűrőt Cserélje ki az üzemanyagszűrőt Tisztítsa meg a léghűtőrendszert * Tisztítsa meg az olajhűtő bordáit *

* Poros környezetben vagy amikor levegőből származó szilárd szennyeződés van jelen, akkor gyakrabban tisztítsa meg.

** Nem szükséges, ha csak motorteljesítmény problémákat nem észlel.

Porlasztó beszabályozása

A porlasztón soha ne végezzen beállításokat. A porlasztó gyárilag lett beállítva úgy, hogy a legtöbb helyzetben megfelelően működjön. Azonban, ha beállítás szükséges, akkor szervizelésért keressen fel egy Hivatalos Briggs & Stratton szervizállomást.

MEGJEGYZÉS: Annak a berendezésnek a gyártója, melyre ez a motor telepítve van, meghatározza azt a legnagyobb fordulatszámot, amellyel a motor üzemelni fog. **Ne lépje túl** ezt a fordulatszámot.

Gyújtógyertya csere - ábra 5

Résmérővel (B) ellenőrizze a hézagot (A, ábra 5). Ha szükséges, akkor állítsa vissza a hézagot. Szerelje be és az ajánlott nyomatékkal húzza meg a gyújtógyertyát. Hézag beállításához vagy a nyomatékhoz lásd a **Műszaki jellemzők** című részt.

Megjegyzés: Egyes helyeken, a helyi törvények megkívánják az előtét ellenállással szerelt gyújtógyertya használatát a zavarójelek elnyomása végett. Ha ez a motor eredetileg is előtét ellenállással szerelt gyújtógyertyával volt ellátva, csakis az azonos típusút használja csere esetén.

Ellenőrizze a kipufogódobot és a szikrafogót - ábra 6



FIGYELMEZTETÉS



A járó motorok hőt termelnek. A motor alkatrészek, különösképpen a kipufogódob rendkívül felforrósodnak.

Ha hozzáérnek, komoly égési sérülések keletkezhetnek.



A gyúlékony nyesedék, pl. lomb, fű, cserje stb. meggyulladhatnak.

- Hagyja lehűlni a kipufogódobot, a motorhengert és a bordákat, mielőtt hozzáér.
- Az összegyűlt nyesedéket távolítsa el a kipufogódob környékéről és a henger környezetéből.
- Kalifornia állam közvagyonra vonatkozó törvénykönyvének 4442. cikkelye megsértése, ha a motort erdővel, cserjével vagy fűvel borított területen úgy használja, hogy a 4442 cikkelynek megfelelően a kipufogórendszer nincs ellátva szikrafogóval és az nincs működőképés állapotban. Más államoknak vagy a szövetségi törvényhozásnak is hasonló törvényei lehetnek érvényben. Keresse meg az eredeti gyártót, kikereskedőt, viszonteladót olyan szikrafogó beszerzése érdekében, melyet e motorra szerelt kipufogórendszerhez terveztek.

Távolítsa el a kipufogódob és a henger környékéről a nyesedéket. Repedések, korrózió vagy egyéb sérülések szempontjából ellenőrizze a kipufogódobot (A, 6 ábra). Szerelje le a szikrafogót (B), ha be van szerelve, és sérülések vagy széntől származó eltömődés szempontjából ellenőrizze. Ha sérülést talál, akkor üzemeltetés előtt szerelje be a pótalkatrészt.



FIGYELMEZTETÉS: Ugyanolyan kivételnek kell a pótalkatrészeknek lenniük, és ugyanarra a helyre kell beszerelni azokat, mint az eredeti alkatrészeket. Lehet, hogy más alkatrészek nem teljesítenek olyan jól, károsodhat az egység és sérülés lehet az eredménye.

Olajcsere - ábra 8 9

A fáradt olaj veszélyes hulladék és megfelelő módon kell elhelyezni. Ne öntse háztartási hulladékba. A biztonságos hulladék elhelyezéssel/újrahasznosítással kapcsolatosan érdeklődjön a helyi önkormányzatnál, szervizközpontban vagy viszonteladónál.

Olaj leeresztése

1. Leállított, de még meleg motornál, bontsa a gyújtógyertya vezeték csatlakozását (A), és tartsa távol a gyújtógyertyától (ábra 8).
2. Csavarja ki az olajleeresztő csavart (B, ábra 9). Az olajat egy erre a célra jóváhagyott tartályba engedje le.
3. Miután leengedte az olajat csavarja be, és húzza meg az olajleeresztő csavart.

Olajszűrő cseréje (ha be van szerelve)

Egyes modellek olajszűrővel vannak ellátva. A csereidőközök a **Karbantartási** táblázat című részben találhatóak.

1. Az olajat engedje le a motorból. Lásd **Olaj leeresztése** című részt.
2. Szerelje ki az olajszűrőt (C) és gondoskodjon a megfelelő hulladékéelhelyezésről. Lásd ábra 9.
3. Az új olajszűrő beszerelése előtt, friss, tiszta olajjal kissé nedvesítse meg az olajszűrő tömitéseit.
4. Addig kézzel csavarja az olajszűrőt, amíg a tömités nem érintkezik az olajszűrő adapterével, majd 1/2 - 3/4 fordulattal húzza meg az olajszűrőt.
5. Olaj utántöltése. Lásd az **Olaj utántöltése** című részt.
6. Indítsa el a motort. Amikor a motor felmelegedett ellenőrizze az olajszivárgásokat.
7. Állítsa le a motort, és ellenőrizze az olajszintet. Az olajszintjelző pálca tele jelzésének (F) a tetején kell lennie (ábra 8).

Olaj betöltése

- Állítsa vízszintes helyzetbe a motort.
 - Az olajbetöltő területet tisztítsa meg a portól.
 - Az olajtérfogatot illetően lásd a **Műszaki jellemzők** című részt.
1. Vegye ki az olajszintjelző pálcát (D), és tiszta kendővel törölje le (ábra 8).

2. Lassan öntse az olajat a motor olajbetöltő nyílásába (E). **Ne töltse túl.** Az olaj betöltése után várjon egy percig, majd ellenőrizze az olajszintet.
3. Tegye be, és húzza meg az olajszintjelző pálcát.
4. Vegye ki az olajszintjelző pálcát, és ellenőrizze az olajszintet. Az olajszintjelző pálca tele jelzésének (F) a tetején kell lennie.
5. Tegye be, és húzza meg az olajszintjelző pálcát.

A levegőszűrő szervizelése - ábra 11 12



FIGYELMEZTETÉS



Az üzemanyag és gőzei rendkívül gyúlékony és robbanásveszélyes anyagok.



A tűz vagy a robbanás komoly égési sérüléseket vagy halált okozhat.

- Soha ne indítsa úgy a motort, hogy ki van szerelve a levegőszűrő szerelvény (ha be van szerelve) vagy a levegőszűrő (ha be van szerelve).

MEGJEGYZÉS: Ne használjon sűrített levegőt vagy oldószereket a szűrő tisztítására. A sűrített levegő károsíthatja a szűrőt, és az oldószerek oldják a szűrőt.

Kétfél levegőszűrő rendszer látható. A szervizkövetelményeket a **Karbantartási táblázat** tartalmazza.

1. **Üzemanyagtartállyal nem rendelkező modellek:** Bontsa a reteszleéseket (A) és vegye le a fedelet (B). Lásd 11. ábra.
2. **Üzemanyagtartállyal nem rendelkező modellek:** Vegye le a gombot (C), majd a fedelet (B). Lásd 12. ábra.
3. Szerelje ki az anyát (D) és a rögzítőgyűrűt (E). Lásd 11. és 12. ábrák.
4. Vegye ki a levegőszűrőt (F).
5. Vegye ki az előszűrőt (G), ha be van szerelve, a levegőszűrőből.
6. A nyesedék fellazítására ütögesse meg a levegőszűrő kemény felületét. Ha túlzottan elszennyeződött a levegőszűrő, akkor cserélje ki egy új levegőszűrőre.
7. Az előszűrőt tisztítószerez vízben mossa ki. Majd hagyja alaposan kiszáradni. **Ne** olajozza be az előszűrőt.
8. Tegye be a száraz előszűrőt a levegőszűrőbe.
9. Szerelje be a levegőszűrőt és a rögzítőgyűrűvel és az anyával rögzítse azt.
10. Szerelje be és rögzítse a fedelet.

Üzemanyagszűrő cseréje - ábra 7



FIGYELMEZTETÉS



Az üzemanyag és gőzei rendkívül gyúlékony és robbanásveszélyes anyagok.



A tűz vagy a robbanás komoly égési sérüléseket vagy halált okozhat.

- Az üzemanyagot szikrától, nyílt lángtól, őrlángtól, hőtől és más gyújtószervezettől tartsa távol.
- Gyakran ellenőrizze az üzemanyag vezetékeket, tartályt, sapkát és szerelvényeket, hogy nincs-e repedés vagy szivárgás. Szükség esetén cserélje ki.
- Mielőtt üzemanyagszűrőt cserél engedje le az üzemanyagtartály tartalmát, vagy zárja el az üzemanyag-elzáró csapot.
- A pótalkatrészeknek ugyanolyanoknak kell lenniük, és ugyanarra a helyre kell beszerelni azokat, mint az eredeti alkatrészeket.
- Ha kifolyik az üzemanyag, várjon a motor indítása előtt, amíg elpárolog.

1. Az üzemanyagszűrő (A, ábra 7), cseréje előtt, ha be van szerelve, engedje le az üzemanyagtartály tartalmát, vagy zárja el az üzemanyag-elzáró csapot. Különbözően kiszivároghat az üzemanyag és tüzet vagy robbanást okoz.
 2. A bilincseken (C) fogót használjon a fülék (B) összenyomására, majd a bilincseket csúsztassa el az üzemanyagszűrőtől. Csavarja meg és húzza el az üzemanyagszűrőtől az üzemanyagvezetékeket (D).
 3. Repedés vagy szivárgás szempontjából ellenőrizze az üzemanyagvezetékeket. Szükség esetén cserélje ki a hibás alkatrészt.
 4. Az üzemanyagszűrőt eredeti berendezés cserealkatrésszel cserélje ki.
 5. Az ábrának megfelelően bilincsekkel rögzítse az üzemanyagvezetékeket.
- Megjegyzés:** A gyárilag üzemanyagtartállyal ellátott motorok üzemanyagtartálya szűrőbetéttel rendelkezhet (E), lásd 3 ábra.

A léghűtőrendszer tisztítása - ábra 10



FIGYELMEZTETÉS



A járó motorok hőt termelnek. A motor alkatrészek, különösképpen a kipufogódob rendkívül felforrósodnak.



Ha hozzáérnek, komoly égési sérülések keletkezhetnek.

A gyúlékony nyesedék, pl. lomb, fű, cserje stb. meggyulladhatnak.

- Hagyja lehűlni a kipufogódobot, a motorhengert és a bordákat, mielőtt hozzáér.
- Az összegyűlt nyesedéket távolítsa el a kipufogódob környékéről és a henger környezetéből.

Tárolás



FIGYELMEZTETÉS



Az üzemanyag és gőzei rendkívül gyúlékony és robbanásveszélyes anyagok.



A tűz vagy a robbanás komoly égési sérüléseket vagy halált okozhat.

Üzemanyag vagy olyan berendezés tárolása, amelynek üzemanyagtartályában üzemanyag van.

- Kazánoktól, tűzhelyektől, vízmelegítőtől vagy más olyan berendezésektől távol helyezze el, amelyek gyújtólánggal vagy gyújtószerkezettel vannak ellátva távol tárolja, mivel ezek meggyújthatják az üzemanyag kipárolgást.

Üzemanyag-ellátó rendszer

30 napnál hosszabb tárolás esetén az üzemanyag állottá válhat. Az állott üzemanyag sav és kátránylerakódást okoz az üzemanyag-ellátó rendszerben vagy a porlasztó

MEGJEGYZÉS: Vízet ne használjon a motor tisztításához. A víz szennyezheti az üzemanyag-ellátó rendszert. Kefét vagy száraz kendőt használjon a motor tisztításához. Ez egy léghűtéses motor. A szennyeződés vagy a nyesedék akadályozhatja a légáramlást és a motor túlmelegedését okozhatja, mely gyengébb teljesítményt és rövidebb motor élettartamot okoz.

Kefét vagy száraz kendőt használjon a nyesedék újjvédőről (A) való eltávolítására. Tartsa tisztán az összekapcsoló szerkezetet, rugókat és kezelőszerveket (B). A kipufogódob (C) körüli és mögötti területet tartsa tisztán a gyúlékony nyesedéktől (10. ábra). Győződjön meg arról, hogy az olajhűtő bordái (D) meg vannak-e tisztítva a szennyeződéstől és a nyesedéktől.

fontos alkatrészein. Az üzemanyag frissen tartására használjon Briggs & Stratton FRESH START® üzemanyag stabilizátor adalékot, mely folyékony adalék vagy csepegtető koncentrátumtartály formájában áll rendelkezésre.

Nincs szükség a motorból az üzemanyag leengedésére, ha az útmutatásoknak megfelelően üzemanyag stabilizátor adalékot adtak hozzá. A stabilizátor üzemanyag-ellátó rendszerben való keringtetésére 2 percig működtesse a motort. A motor és az üzemanyag ezután maximum 24 hónapig tárolható.

Ha nem használ üzemanyag stabilizátort, akkor tárolás előtt a berendezésből le kell engedni a benzint. Addig működtesse a motort, amíg üzemanyag hiányában leáll. A frissesség megőrzésére ajánlott üzemanyag stabilizátor adalék használata a tárolótartályban.

Motorolaj

Amíg még meleg a motor cseréljen motorolajat.

Hibakeresés

Segítségre van szüksége? Keresse fel a BRIGGSandSTRATTON.COM webhelyet, vagy hívja a **1-800-233-3723** telefonszámot.

Műszaki jellemzők

Motor műszaki jellemzők	
Modell	290000
Hengerűrtartalom	29,23 hüvelyk ³ (479 cm ³)
Hengerfurat	2,677 hüvelyk (68 mm)
Lökethossz	2,598 hüvelyk (66 mm)
Olajtérfogat	46 - 48 uncia (1,36 - 1,42 L)

Motor műszaki jellemzők	
Modell	300000
Hengerűrtartalom	29,23 hüvelyk ³ (479 cm ³)
Hengerfurat	2,677 hüvelyk (68 mm)
Lökethossz	2,598 hüvelyk (66 mm)
Olajtérfogat	46 - 48 uncia (1,36 - 1,42 L)

Beállítási jellemzők *	
Modell	290000, 300000
Gyertyahézag	0,030 hüvelyk (0,76 mm)
Gyújtógyertya nyomaték	180 font-hüvelyk (20 Nm)
Forgórész légrés	0,008 - 0,012 hüvelyk (0,20 - 0,30 mm)
Szívószelep hézag	0,004 - 0,006 hüvelyk (0,10 - 0,15 mm)
Kipufogószelep hézag	0,004 - 0,006 hüvelyk (0,10 - 0,15 mm)

Motor műszaki jellemzők	
Modell	350000
Hengerűrtartalom	34,78 hüvelyk ³ (570 cm ³)
Hengerfurat	2,835 hüvelyk (72 mm)
Lökethossz	2,756 hüvelyk (70 mm)
Olajtérfogat	46 - 48 uncia (1,36 - 1,42 L)

Motor műszaki jellemzők	
Modell	380000
Hengerűrtartalom	38,26 hüvelyk ³ (627 cm ³)
Hengerfurat	2,972 hüvelyk (75,5 mm)
Lökethossz	2,756 hüvelyk (70 mm)
Olajtérfogat	46 - 48 uncia (1,36 - 1,42 L)

Beállítási jellemzők *	
Modell	350000, 380000
Gyertyahézag	0,030 hüvelyk (0,76 mm)
Gyújtógyertya nyomaték	180 font-hüvelyk (20 Nm)
Forgórész légrés	0,008 - 0,012 hüvelyk (0,20 - 0,30 mm)
Szívószelep hézag	0,004 - 0,006 hüvelyk (0,10 - 0,15 mm)
Kipufogószelep hézag	0,004 - 0,006 hüvelyk (0,10 - 0,15 mm)

* A motorteljesítmény csökken 3,5% értékkel minden 1 000 láb (300 méter) tengerszint feletti magasság növekedés esetén, és 1% értékkel minden 10° F (5,6° C) hőmérséklet növekedés esetén 77° F (25° C) felett. A motor maximum 15° értékű lejtőn működik kielégítően. A megengedett lejtőkre vonatkozólag lásd a berendezés kezelési útmutatóját.

Általános szerviz alkatrészek

Szerviz alkatrész	Alkatrész szám
Levegőszűrő – üzemanyagtartállyal rendelkező	393957
Levegőszűrő – 380000 modell kivételével	394018
Levegőszűrő – 380000 modell	692519
Levegőszűrő előszűrő – üzemanyagtartállyal rendelkező	271794
Levegőszűrő előszűrő – 380000 modell kivételével	272490
Levegőszűrő előszűrő – 380000 modell	692520
Olaj – SAE 30	100028
Olajszűrő (6 cm hosszú)	492932
Olajszűrő (9 cm hosszú)	491056

Szerviz alkatrész	Alkatrész szám
Üzemanyagszűrő – üzemanyagtartállyal rendelkező	808116
Üzemanyagszűrő – üzemanyag-szivattyúval rendelkező	691035
Üzemanyagszűrő – üzemanyag-szivattyú nélküli	298090
Üzemanyagadalék	5041
Előtét ellenállással szerelt gyújtógyertya	491055
Hosszú élettartamú platina gyújtógyertya	5066
Gyújtógyertya kulcs	19374
Gyújtógyertya tesztelő	19368

✓ Javasoljuk, hogy a motor és motor alkatrészek bármely karbantartását és szervizelését Hivatalos Briggs & Stratton szervizállomásom végeztesse.

KORLÁTOZOTT GARANCIA

A Briggs & Stratton Corporation díjmentesen megjavítja vagy kicseréli a motornak bármely olyan részét vagy részeit, amely anyag- vagy gyártáshibás, vagy mindkettő. A javítandó termék vagy cserealkatrész szállítási költségeit, a garancia szerint a vásárlónak kell fedeznie. A garancia csak az alábbiakban meghatározott időtartamok és feltételek szerint érvényes. A garanciális szolgáltatásokkal kapcsolatosan az ügyfélszolgálati térfélpünkön keresse meg a legközelebbi Hivatalos szervizállomást, melyet a www.BRIGGSandSTRATTON.com webhelyen vagy a 1-800-233-3723 hívószámon illetve a 'Szakmai telefonkönyv' által feltüntetett számon találhat meg.

Más kifejezett garancia nem létezik. A vélelmezett garanciák, beleértve az eladhatóságra és egy bizonyos célra való megfelelésre vonatkozó garanciát, a vásárlás napjától számított egy évre vagy a törvény által megállapított mértékre korlátozódnak, egyébként minden vélelmezett garancia ki van zárva. A járulékos vagy közvetett károkért a felelősség olyan mértékben van kizárva, mely kizárást a törvény megengedi. Egyes országokban vagy államokban nem engedélyeznek olyan korlátozást, hogy mennyi ideig tart valamely vélelmezett garancia, és bizonyos országokban vagy államokban nem engedik meg a járulékos vagy közvetett károk kizárását vagy korlátozását, így lehetséges, hogy a fenti korlátozás és kizárás Önre nem vonatkozik. Jelen garancia meghatározott jogokat biztosít számára, és elképzelhető, hogy egyéb jogai is vannak, ezek azonban országról-országra illetve államról-államra változnak.

NORMÁL GARANCIÁLIS KIKÖTÉSEK * ▲

Márka/terméktípus	Fogyasztói felhasználás	Kereskedelmi felhasználás
Vanguard™	2 év	2 év
Extended Life Series™; I/C®; Intek™ I/C®; Intek™ Pro; Professional Series™ Dura-Bore™ öntöttvas hengerpersellyel; 850 Series™ Dura-Bore™ öntöttvas hengerpersellyel; Snow Series MAX™ Dura-Bore™ öntöttvas hengerpersellyel Minden más Briggs & Stratton motor esetében, Dura-Bore™ öntöttvas persely a jellemzője	2 év	1 év
Minden más Briggs & Stratton motor	2 év	90 nap

* Ezek a normál garanciális kikötéseink, de alkalmilag előfordulhat további garanciális kikötés, mely a kiadás idején nem került meghatározásra. A motorjára vonatkozó garanciális kikötések jelenlegi listájának megismeréséhez keresse fel a BRIGGSandSTRATTON.COM webhelyet vagy vegye fel a kapcsolatot egy Hivatalos Briggs & Stratton szervizállomással.

▲ Otthoni szerszámalkalmazásnál használt motorok esetében a garancia csak végfelhasználói használatra vonatkozik. Ez a garancia nem vonatkozik olyan motorokra, melyeket elsődleges erőforrásként használt berendezésben alkalmaznak segédberendezés helyett. **Versenyre vagy kereskedelmi illetve kölcsönzött járműben használt motorokra a garancia nem vonatkozik.**

A garanciaidő az első kiskereskedelmi fogyasztó vagy kereskedelmi végfogyasztó általi vásárlás dátumával kezdődik, és az a fenti táblázatban megadott időszakra szól. A "fogyasztói felhasználás" az eredeti kiskereskedelmi fogyasztó személyes lakóhelyi háztartási felhasználását jelenti. A "kereskedelmi felhasználás" minden egyéb felhasználást jelent, beleértve a kereskedelmi, jövedelemtermelő és bérelti célú felhasználást. Ha egy motor egyszer már kereskedelmi használatba került, akkor ezt követően a jelen garancia szempontjából kereskedelmi felhasználású motornak kell tekinteni.

Garancia bejegyzésre nincs szükség ahhoz, hogy a Briggs & Stratton termékekre garanciát kapjanak. Őrizze meg a vásárlást igazoló számlát. Ha nem igazolja az eredeti beszerzés dátumát a garanciális szerviz igénylésének időpontjában, akkor a garanciális időszak meghatározásához a termék gyártási időpontját veszik figyelembe.

A garanciájáról

A Briggs & Stratton készséggel fogadja a garanciális javításokat, és elnézést kér a kellemetlenségeikért. Garanciális javítást bármely Hivatalos szervizszolgáltató végezhet. A legtöbb garanciális javítást rutinszerűen végeznek, de néhány esetben előfordulhat, hogy nem indokolt a garanciális javításra vonatkozó igény.

Amennyiben a szervizszolgáltató döntése és a vevő véleménye nem egyezik, meg kell vizsgálni, hogy a garancia fennáll-e. A szervizszolgáltatót fel kell kérni, hogy nyújtsa be az összes bizonyítékot a forgalmazónak vagy magának a gyárnak felülvizsgálat céljából. Amennyiben a forgalmazó vagy a gyár úgy dönt, hogy az igény jogos, a vevőt teljes mértékben kártalanítják azokért a tételekért, amelyek hibásak. Azon félreértések elkerülése végett, amelyek előfordulhatnak a vevő és a kereskedő között, az alábbiakban felsorolunk néhány olyan hibaokot, melyre a garancia nem terjed ki.

Normális elhasználódás: A motorok, mint minden mechanikai eszköz, a jó működéshez időszaki alkatrész szervizelést és cserét igényel. A garancia nem terjed olyan javításra, mely az alkatrész vagy a motor normál működése során fellépő elhasználódása miatt válik szükségessé. Garanciális igény nem érvényesíthető, ha a motor sérülését helytelen használat, a rutin karbantartás hiánya, szállítás, kezelés, raktározás vagy helytelen üzembe helyezés okozta. A garancia hasonlóképpen érvénytelenné válik, ha a motor típus tábláját eltávolítják vagy a motort megváltoztatják illetve módosítják.

Helytelen karbantartás: A motor élettartama függ az üzemelés körülményeitől és a karbantartás gondosságától. Bizonyos alkalmazási helyeken, például talajmegmunkáló gépekben, szivattyúkban és forgókéses fűnyíróban nagyon gyakran poros, piszkos körülmények között üzemel a motor, melynek következtében idő előtti kopás lép fel. A garancia nem terjed ki az olyan kopásra, amelyet piszkos, por, a gyújtógyertya tisztítóhomok vagy a nem megfelelő karbantartás következtében bejuto egyéb koptatóanyag okoz.

Ez a garancia csak a motorral kapcsolatos hibás anyagokra, illetve nem megfelelő kidolgozásra vonatkozik, nem pedig annak a berendezésnek a cseréjére vagy árának visszatérítésére, amelyre az illető motor fel van szerelve. Nem terjed ki továbbá a garancia az alábbi okok miatt szükségessé váló javításokra:

- 1 A nem eredeti Briggs & Stratton alkatrészek által okozott problémákra.
- 2 Olyan, a berendezésekhez tartozó kezelőszervek vagy felszerelések, melyek megakadályozzák az indítást, csökkentik a motor teljesítményt vagy rövidítik a motor élettartamát. (Ilyenkor forduljon a berendezésgyártóhoz.)

- 3 Lyukas porlasztómembrán, eltömődött üzemanyagcső, akadó szelep vagy minden egyéb olyan károsodás, amelyet szennyezett vagy állott üzemanyag használat okoz.
- 4 Olyan alkatrészek, amelyek azért repedtek meg vagy törtek el, mert a motort nem elegendő vagy szennyezett kenőolajjal vagy nem megfelelő fajtájú kenőolajjal működtették (ellenőrizze és szükség esetén tölts fel, illetve cseréljen olajat az ajánlott időközökben.) Az OIL GUARD rendszer esetleg nem állítja le a járó motort. Motor meghibásodás fordulhat elő, ha az olajsínt nem megfelelően biztosítják.
- 5 A nem a Briggs & Stratton által gyártott tartozékok vagy részesegységek, mint tengelykapcsolók, sebességváltók, távvezérlők, stb. javítására vagy beszüntetésére.
- 6 Olyan alkatrész-károsodásra vagy kopásra, melyet a levegőszűrő nem megfelelő karbantartása illetve összeszerelése miatt a motorba bekerülő por, illetőleg nem eredeti levegőszűrő vagy levegőszűrő tartály használata okozott. A javasolt időközökben a Kezelési útmutatóban leírtak szerint tisztítsa meg és/vagy cserélje ki a szűrőt.
- 7 Olyan alkatrészekre, amelyek túlpörgés vagy túlmelegedés miatt károsodtak, melyet a hűtőbordákat vagy a lendkerék környékét eltömő vagy azokra ráakadó fű, nyesedék vagy piszkos okozott, vagy az olyan károkról, amelyeket zárt térben nem megfelelő szellőzés mellett üzemelés okozott. A Kezelési útmutatóban megjelölt időközökben a portól tisztítsa meg a motort.
- 8 Az olyan motor- vagy berendezésrészekre, amelyek a laza motorfelfüggesztés, laza kések, kiegyensúlyozatlan kések vagy laza illetve kiegyensúlyozatlan járókerekek, a berendezésnek a motor főtengyelére való nem megfelelő csatlakoztatása, túlpörgés vagy egyéb helytelen üzemeltetés által kiváltott túlzott rezgés miatt törtek el.
- 9 Olyan meghajlott vagy eltörött főtengyelre, amelyet az okozott, hogy szilárd test akadt be a forgókéses fűnyíró késébe, illetve melynek oka az volt, hogy túlzottan megfeszítették az ékszíjat.
- 10 A napi beállítás vagy a motor beszüntetése.
- 11 Olyan motor- vagy motoralkatrész-hiba, azaz égőtér, szelepek, szeleplülések, szeleplevezetékek vagy leégett indítómotor-tekercs, melyet valamilyen más üzemanyag, mint cseppfolyós kőolaj, földgáz, kevert benzín stb. használata okozott.

Garanciális szervizszolgáltatás nyújtása csak Hivatalos Briggs & Stratton Corporation szervizállomásokon keresztül történhet. A legközelebbi Hivatalos szervizállomást a www.BRIGGSandSTRATTON.com webhelyén találhatja meg, vagy hívja a 1-800-233-3723 illetve a 'Szakmai telefonkönyv' által megjelölt telefonszámot.

Bendra informacija

Šioje instrukcijoje yra saugumo informacija apie pavojus ir riziką kuriuos kelia varikliai ir kaip jų išvengti. Joje taip pat yra patalpinta informacija apie teisingą variklio naudojimą ir aptarnavimą. Kadangi Briggs & Stratton nežino kurioje įrangoje bus naudojamas tam tikras variklis, Jūs turite atidžiai perskaityti ir suprasti šią ir įrangos instrukcijas.

Išsaugokite šias originalias instrukcijas ateičiai.

Žemiau užsirašykite variklio modelį, tipą, kodus ir įsigijimo datą. Šie skaičiai bus reikalingi naujų dalių užsakymui arba remontui atlikti. Šie skaičiai yra užrašyti ant Jūsų variklio (žiūrėkite **Savybės ir valdymas** skyrių).

Įsigijimo data: _____
Mėnuo/Diena/Metai

Variklio modelis: _____
Modelis: Tipas: Kodas:


Variklio galingumo kategorija


Kiekvieno benzininio variklio modelio galingumo kategorija yra nusakoma SAE (Society of Automotive Engineers- Automobilių Projektuotojų Sąjunga) kodu Nr. J1940 (Mažų variklių galingumo ir sukimo momento įvertinimo procedūra), o variklio charakteristikos yra pamatuotos ir ištaisytos pagal SAE J1995 (Peržiūrėta 2002-05). Sukimo momento reikšmės yra pamatuotos prie 3060 aps./min.; galingumo reikšmės yra pamatuotos prie 3600 aps./min. Realus variklio galingumas bus žemesnis ir priklausys, tarp kitų veiksnių, nuo aplinkos temperatūros ir variklių modifikacijos. Dėl plataus įrangos, kurioje yra įrengti varikliai, asortimento bei aplinkos, kurioje veikia įranga, faktorių, jūsų įsigytas variklis gali neišvystyti nurodyto galingumo, jį naudojant vienoje arba kitoje įrangoje (aktualus "vietinis" galingumas). Šis skirtumas atsiranda dėl daugybės faktorių, įskaitant, bet neapsiribojant jais, priedus (oro valymas, dujų išmetimas, baterijos krovimas, aušinimas, kuro tiekimas, kuro siurblys ir t.t.), naudojimo apribojimai, naudojimo sąlygos (temperatūra, drėgmė, altitudė), variklio modifikacija. Dėl gamybos apimčių apribojimo Briggs & Stratton gali pakeisti šios serijos variklį kitu, aukštesnės galingumo kategorijos.


Operatoriaus saugumas


SAUGUMO IR KONTROLINIAI SIMBOLIAI



Saugumo ženklas  yra naudojamas apibūdinti saugumo informaciją apie pavojus, kurių pasekmė gali būti trauma. Žodžiai (PAVOJAUS, DĖMESIO, ĮSPĖJIMAS) naudojami su ženklais apibūdinti galimybę gauti kelias traumas. Taip pat pavojaus ženklas gali būti naudojamas pavojaus tipui apibūdinti.

PAVOJAUS ženklas  nusako pavojų, kurio pasekmė gali būti mirtis arba rimta trauma.

DĖMESIO ženklas  nusako pavojų, kurio, jo nepaisymo atveju, pasekmė gali būti mirtis arba rimta trauma.

ĮSPĖJIMAS  nusako pavojų, kurio nepaisant, gali kilti mažesnė arba didesnė trauma.

PASTABA nurodo situaciją, kai gali būti sugadintas variklis.



DĖMESIO

Tam tikri šio produkto komponentai bei papildoma įranga turi savo sudėtyje chemines medžiagas kurios gali sukelti vėžį bei neigiamai įtakoti sveikatą. Nuplaukite rankas po naudojimosi.



DĖMESIO

Variklio išmetamosios dujos turi savo sudėtyje cheminių medžiagų, žinomų Kalifornijos valstijoje, kaip sukeliančias vėžį, apsigimimus arba kitaip veikiančias paveldimumą.



DĖMESIO

Briggs & Stratton nepitaria ir nerekomenduoja naudoti šiuos variklius triratėse visureigėse transporto priemonėse, motocikluose, kartinguose, skraidyklėse arba transporto priemonėse, skirtose lenktynėms. Šių variklių naudojimas tokiose transporto priemonėse gali baigtis rimta trauma, turto apgadinimu arba net mirtimi.

PASTABA: Jus gaunate variklį iš Briggs & Stratton be alyvos. Patikrinkite alyvos lygį prieš variklio užvedimą. Jeigu bandysite užvesti variklį be alyvos, jis bus sugadintas ir Jus neteksite garantijos.



DĖMESIO

Kuras ir jo garai yra labai degūs ir gali sprogti. Ugnis arba sprogimas gali jus nudeginti arba užmušti.



Pildami benzina

- Išjunkite variklį ir, prieš nuimdami kuro bako kamštį, leiskite varikliui bent 2 min. atvėsti.
- Pilkite kurą į baką tik lauke arba labai gerai vėdinamoje patalpoje.
- Neperpilkite kuro bako. Kadangi kuras gali plėstis, nepilkite virš apatinės kaklelio ribos.
- Laikykite kurą kuo toliau nuo kibirkščių, atviros ugnies, karščio ir kitų ugnies šaltinių.
- Pastoviai tikrinkite kuro žarneles, baką, dangtį ir bako tvirtinimus tam, kad nebūtų jokių plyšių ar kuro nutekėjimo. Jei reikia, pakeiskite susidėvėjusias ar pažeistas dalis.
- Jeigu kuras išsilies, prieš vesdami variklį, palaukite, kol jis išgaruos.

Prieš įjungiant variklį

- Patikrinkite ar uždegimo žvakė, duslintuvas, kuro bako dangtis ir oro filtras (jeigu toks yra) yra savo vietose.
- Neveskite variklio esant išsuktai uždegimo žvakei.
- Jeigu variklio karbiuratoriuje yra kuro perteklius, nustatykite droselį (jeigu toks yra) į OPEN/RUN padėtį, nustatykite reguliatorių (jeigu toks yra) į fast padėtį ir veskite variklį iki užsives.

Dirbant su įranga

- Neverskite variklio arba įrangos ant šono, nes gali išsilieti kuras.
- Nebandykite droseliu sustabdyti variklio.
- Niekada neveskite ir nedirbkite su varikliu, kuriame nėra oro filtro mazgo (jeigu toks yra) arba oro filtro (jeigu toks yra).

Keisdami alyvą

- Jeigu Jus išpilate alyvą per alyvos įpylimo vamzdelį, kuro bakas turi būti tuščias, nes kuras gali išsilieti ir sukelti gaisrą arba sprogimą.

Transportuojant įrangą

- Transportuoti įrangą galima tik esant TUŠČIAM kuro bakui arba su uždaryta kuro sklende i

Sandėliuojant kurą arba įrangą su kuru bake

- Laikykite kuo toliau nuo krosnių, viryklių, vandens šildytuvų arba kitos įrangos, kuri veikia esant atvirai liepsnai, nes gali užsiliepsnoti kuro garai.



DĖMESIO



Vedamas variklis sukelia kibirkštį.

Kibirkštis gali uždegti netoliese esančius degius garus arba dujas.



Gali įvykti sprogimas ir kilti gaisras.

- Jeigu netoliese yra gamtinių ar suskystintų dujų nutekėjimas, nemandykite vesti variklio.
- Nenaudokite koncentruotų palemimo skysčių varikliui užvesti, nes jų garai yra lengvai užsiliepsnojančys.



DĖMESIO



Variklis skleidžia anglies monoksidą - bekvapės, bespalvės, nuodingas dujas.

Įkvėptos anglies monoksido dujos gali sukelti pykinimą, nualpimą arba mirtį.

- Veskite variklį lauke arba gerai vėdinamoje patalpoje.
- Neveskite variklio uždaroje patalpoje, net jeigu durys arba langai yra atidaryti.



DĖMESIO



Greitas starterio susisukimas gali patraukti ranką greičiau, negu jūs spėsite paleisti rankenėlę.

Jums gali lūžti kaulai, atsirasti nubrozdinimai, sumušimai ir pasitempti sausgyslės.

- Norėdami užvesti variklį, lėtai traukite už virvės kol pajusite pasipriešinimą, o tada staigiu ir greitu judėsiu užveskite variklį.
- Prieš pradėdami vesti variklį, pasistenkite pašalinti visą variklio/įrangos apkrovą.
- Įranga, tiesiogiai tvirtinama prie variklio, kaip pvz.: peiliai, skriemuliai, krumpliaraciai ir t.t., turi būti patikimai fiksuota.



DĖMESIO



Besisukančios dalys gali įtraukti rankas, kojas, plaukus, aprangą arba kokį daiktą.

Jums gali traumuoti ar net nuplėšti ranką arba koją.

- Naudokitės įranga tik esant apsaugoms savo vietoje.
- Nelieskite rankomis ir kojomis besisukančių dalių.
- PARIŠKITE ILGUS PLAUKUS IR NUSIIMKITE PAPUOŠALUS.
- Nesivilkite laisvų rūbų su laisvai kabančiais diržais arba kitais aksesuarais, kurie variklio gali būti įtraukti.



DĖMESIO



Veikiantys varikliai skleidžia šilumą. Variklio dalys, ypač duslintuvas, labai įkaista.

Neatsargiai prisilietę, galite nudegti.



Susikaupusios lengvai užsiliepsnojančios medžiagos, tokios kaip lapai, žolė ir t.t. gali užsidegti.

- Leskite duslintuvui, variklio cilindrai ir briaunoms atvėsti prieš jas liesdami.
- Išvalykite žolę aplink duslintuvą ir cilindrą.
- Naudojimas varikliu miške, krumuose arba vėjoje be kibirkšties gaudiklio išmetimo sistemoje yra Kalifornijos vasltijos viešųjų išteklių kodekso, 4442 skyriaus pažeidimas. Kitose valstijose gali galioti panašūs įstatymai. Jus galite įsigyti kibirkšties gaudyklį, pritaikytą Jūsų išmetimo sistemai, pas originalios įrangos gamintoją, pardavėją arba atstovą.



DĖMESIO



Netyčia atsiradusi kibirkštis gali sukelti gaisrą arba elektros smūgį.

Atsitiktinis variklio paleidimas gali jus sunkiai traumuoti.



Ugnies pavojus



Prieš variklio reguliavimą ir taisymą:

- Atjunkite uždegimo žvakės laidą ir laikykite jį toliau nuo uždegimo žvakės.
- Atjunkite akumuliatorių (varikliuose su elektriniu užvedimu).
- Naudokite tik specialius įrankius.
- Nelieskite regulatoriaus spyruoklės arba kitų variklio dalių, galinčių paveikti variklio greitį.
- Atsarginės dalys turi būti vienodos ir sumontuotos toje pačioje vietoje kur buvo sumontuotos originalios dalys. Neoriginalios dalys gali sugadinti įrangą, pabloginti jos veikimą, traumuoti Jus.
- Nedaužykite smagračio plaktuku arba kietu daiktu. Jis gali subyrėti.

Kibirkšties tikrinimas:

- Naudokite patvirtintą žvakės testerį.
- Netikrinkite kibirkšties esant išsuktai uždegimo žvakei.

Savybės ir valdymo elementai

Apžiūrėkite paveikslėlį **1** kuriame pavaizduotas variklis ir savo variklį kad susipažintų su jo savybėmis ir valdymo elementais.

- A. Variklio identifikacija
Modelis Tipas Kodas
- B. Uždegimo žvakė
- C. Oro filtras (be kuro bako)
- D. Oro filtras, (su kuro baku)
- E. Alyvos lygio matuoklis
- F. Alyvos įpylimo vieta
- G. Alyvos filtras (papildoma įranga)
- H. Karterio kamštis
- I. Alyvos slėgio daviklis
- J. Smagračio apsauga
- K. Elektros starteris
- L. Rankinis starteris (papildoma įranga)
- M. Karbiuratorius
- N. Duslintuvas (papildoma įranga)
- O. Kuro siurblys
- P. Starterio jungiklis *
- Q. Greičio reguliatorius *
- R. Droselis *
- S. Kuro filtras (papildoma įranga)
- T. Kuro bakas (papildoma įranga)
- U. Kuro padavimo sklendė (papildoma įranga) *
- V. Stop jungiklis (papildoma įranga) *
- W. Alyvos aušintuvas (papildoma įranga)

* Kai kuriuose varikliuose ir įrangoje yra montuojami nuotoliniai valdymo pultai. Jų padėtį ir veikimo būdą galite rasti įrangos naudojimo instrukcijoje.

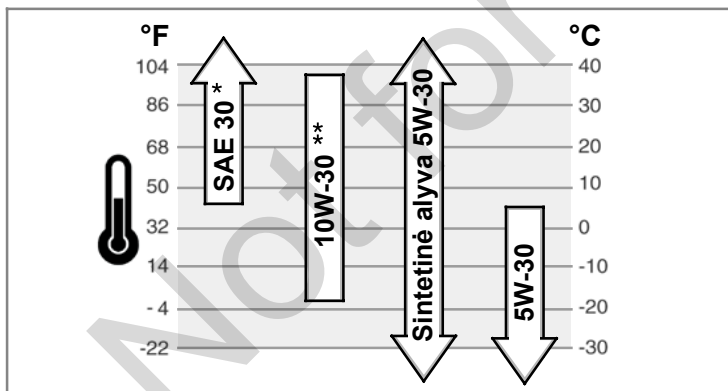
Veikimas

Alyvos talpa (ieškokite **Techninė informacija** skyriuje)

Alyvos Rekomendacijos

Geresniam variklio veikimui mes rekomenduojame naudoti tik Briggs & Stratton sertifikuotas alyvas. Galima naudoti aukštos kokybės alyvą, klasifikuotą kaip "SF, SG, SH, SJ" klases, arba aukštesnes klases. Nenaudokite jokių specialių priedų alyvoms.

Alyvos klampumas priklauso nuo aplinkos temperatūros. Lentelėje parinkite alyvos klampumą, atitinkantį jūsų gyvenamosios vietos oro sąlygas.



* Jeigu SAE 30 alyva yra naudojama žemiau negu 40°F (4°C) temperatūroje, variklį bus sunkiau užvesti.

** 10W-30 alyvos naudojimas esant temperatūrai aukščiau 80°F (27°C) privers variklį sunaudoti daugiau alyvos. Dažniau tikrinkite alyvos lygį.

Kaip patikrinti alyvos lygį/įpilti alyvos - Pav. 2

Prieš alyvos įpylimą ir jos lygio tikrinimą

- Pastatykite variklį horizontaliai.
 - Išvalykite alyvos įpylimo vietą nuo purvo.
1. Išsukite alyvos lygio matuoklį (A) ir išvalykite jį švariu audeklu (Pav. 2).
 2. Įdėkite alyvos lygio matuoklį iki galo.

3. Išsukite matuoklį ir patikrinkite alyvos lygį. Alyvos lygis turi būti ties full žyme (B) matuoklyje.
4. Jeigu alyvos lygis yra žemas, lėtai įpilkite alyvą į variklį (C). **Neperpilkite.** Palaukite vieną minutę ir patikrinkite alyvos lygį.
5. Įdėkite alyvos lygio matuoklį iki galo.

Alyvos spaudimas

Jeigu alyvos spaudimas yra žemas, variklio spaudimo daviklis (jeigu toks yra) sužadins išpėjimo įrenginį arba sustabdys variklį. Jeigu taip atsitinka, sustabdykite variklį ir patikrinkite alyvos lygį su matuokliu.

Jeigu alyvos lygis yra žemiau ADD žymės, įpilkite alyvos kol jos lygis pasieks FULL žymę. Užveskite variklį ir patikrinkite alyvos spaudimą, prieš tęsdami darbą.

Jeigu alyvos lygis yra tarp ADD ir FULL žymių, **neveskite** variklio. Susisiekite su įgaliotuo Briggs & Stratton serviso atstovu. Jis išspręs alyvos spaudimo problemą.

Kuro rekomendacijos

Benzinai turi atitikti šiuos reikalavimus:

- Švarus, šviežias neetilutas benzinai.
- Minimalus oktaninis skaičius - 87/87 AKI (91 RON). Darbui aukštesnėse, žiūrėkite žemiau.
- Galima naudoti benziną kurio sudėtyje yra iki 10% etanolio arba iki 15% MTBE (trimetil butil eteris).

PASTABA: Nenaudokite nesertifikuotą benziną E85. Nemašykite benzino su alyva ir nebandykite perdaryti variklio, kad jis būtų varomas kitu kuru. Tai sugadins variklį ir **Jūs neteksite garantijos.**

Tam kad apsaugoti kuro sistemą nuo nusidėvėjimo, sumaišykite benziną su kuro stabilizatoriumi. Perskaitykite skyrių **Sandėliavimas**. Benzinai nėra vienodas. Jeigu variklis blogai veiks, pakeiskite kuro tiekėją arba benzino markę. Šis variklis yra sertifikuotas naudotis benzinu kaip degalais. Išmetamųjų dujų kontrolės sistema EM (Variklio modifikacija).

Darbas kalnuose

Kalnuose virš 5,000 pėdų (1524 metrų), reikia naudoti benziną kurio oktaninis skaičius yra 85 (mažiausiai)/85 AKI (89 RON). Tam kad variklio išmetimas kalnuose atitiktų aplinkosaugos reikalavimus yra reikalingas reguliavimas. Be reguliavimo variklis blogiau veiks, padidės kuro suvartojimas ir išmetimo dujų koncentracija. Norėdami atlikti reguliavimą, kreipkitės į įgaliotą Briggs & Stratton serviso atstovą.

Darbui aukštesnėse žemiau 2,500 pėdų (762 metrai) didelės altitudės reguliavimas nėra būtinas.

Kaip įpilti benziną - Pav. 3



DĖMESIO

Kuras ir jo garai yra labai degūs ir gali sprogti. Ugnis arba sprogdimas gali jus nudeginti arba užmušti.



Pildami benziną

- Išjunkite variklį ir, prieš nuimdami kuro bako kamštį, leiskite varikliui bent 2 min. atvėsti.
- Pilkite kurą į baką tik lauke arba labai gerai vėdinamoje patalpoje.
- Neperpilkite kuro bako. Kadangi kuras gali plėstis, nepilkite virš apatinės kaklelio ribos.
- Laikykitės kurą kuo toliau nuo kibirkščių, atviros ugnies, karščio ir kitų ugnies šaltinių.
- Pastoviai tikrinkite kuro žarneles, baką, dangtį ir bako tvirtinimus tam, kad nebūtų jokių plyšių ar kuro nutekėjimo. Jei reikia, pakeiskite susidėvėjusias ar pažeistas dalis.
- Jeigu kuras išsilies, prieš vesdami variklį, palaukite, kol jis išgaruos.

1. Nuvalykite aplink kuro bako dangtį. Nuimkite dangtį (A, Pav. 3).
2. Įpilkite dyzeliną į kuro baką (B). Kadangi kuras gali plėstis, nepilkite virš apatinės kaklelio ribos (C).
3. Užsukite kuro bako dangtį.

Kaip užvesti variklį - Pav. 4




DĖMESIO

Greitas starterio susisukimas gali patraukti ranką greičiau, negu jūs spėsite paleisti rankenėlę.

Jums gali lūžti kaulai, atsirasti nubrozdinimai, sumušimai ir pasitempti sausgyslės.


- Norėdami užvesti variklį, lėtai traukite už virvės kol pajusite pasipriešinimą, o tada staigiu ir greitu judėsiu užveskite variklį.



DĖMESIO
Kuras ir jo garai yra labai degūs ir gali sprogti.
Ugnis arba sproginimas gali jus nudeginti arba užmušti.

Prieš įjungiant variklį

- Patikrinkite ar uždegimo žvakė, duslintuvas, kuro bako dangtis ir oro filtras (jeigu toks yra) yra savo vietose.
- Neveskite variklio esant išsuktai uždegimo žvakei.
- Jeigu variklio karbiuratoriuje yra kuro perteklius, nustatykite droselį (jeigu toks yra) į OPEN/RUN padėtį, nustatykite reguliatorių (jeigu toks yra) į fast padėtį ir veskite variklį iki užsives.







DĖMESIO
Variklis skleidžia anglies monoksidą - bekvapės, bespalvės, nuodingas dujas.
Įkvėptos anglies monoksido dujos gali sukelti pykinimą, nualpimą arba mirtį.

- Veskite variklį lauke arba gerai vėdinamoje patalpoje.
- Neveskite variklio uždaroje patalpoje, net jeigu durys arba langai yra atidaryti.


PASTABA: Jus gaunate variklį iš Briggs & Stratton be alyvos. Patikrinkite alyvos lygį prieš variklio užvedimą. Jeigu bandysite užvesti variklį be alyvos, jis bus sugadintas ir Jus neteksite garantijos.

Pastaba: Kai kuriuose varikliuose ir įrangoje yra montuojami nuotoliniai valdymo pultai. Jų padėtį ir veikimo būdą galite rasti įrangos naudojimo instrukcijoje.


- Patikrinkite alyvos lygį. Perskaitykite skyrių **Kaip tikrinti alyvos lygį/įpilti alyvą**.
- Įsitikinkite kad įrangos kontrolės mechanizmai yra išjungti.
- Pasukite kuro padavimo vožtuvą (A), jeigu toks yra, į on padėtį (Pav. 4).
- Nustatykite stop jungiklį (F), jeigu toks yra, į „on“ (įjungtas) padėtį.
- Nustatykite greičio reguliatorių (B) į fast  padėtį. Dirbkite su varikliu reguliatoriui esant fast  padėtyje.
- Nustatykite droselio reguliatorių (C) į droselio (choke)  padėtį.
Pastaba: Droselis dažnai yra nereikalingas, jeigu variklis yra šiltas.
- Rankinis starteris:** Pasukite raktą (D), jeigu toks yra, į run padėtį.
- Rankinis užvedimas:** Paimkite rankinio starterio rankeną (E). Traukite rankinio starterio virvę kol pajusite pasipriešinimą, o tada staigių judėsiu užveskite variklį.
Pastaba: Jeigu variklis neužsiveda po kelių bandymų, apsilankykite tinklalapyje **BRIGGSandSTRATTON.COM** arba paskambinkite **1-800-233-3723 (JAV)**.



DĖMESIO: Greitas starterio susisukimas (atatranka) gali patraukti ranką greičiau, negu jūs spėsite paleisti rankenėlę. Jus galite gauti traumą. Užvesdami variklį, lėtai traukite už starterio virvės, kol pajusite pasipriešinimą, o tada staigių judesiu traukite už virvės.


- Elektrinis starteris:** Įjunkite elektros užvedimo jungiklį (D) į on/start padėtį.
Pastaba: Jeigu variklis neužsiveda po kelių bandymų, apsilankykite tinklalapyje **BRIGGSandSTRATTON.COM** arba paskambinkite **1-800-233-3723 (JAV)**.
PASTABA: Tam kad prailginti starterio tarnavimo laiką, naudokite trumpus paleidimo ciklus (maksimaliai penkias sekundes). Palaukite maždaug vieną minutę tarp paleidimo ciklų.
- Kai variklis iššils, nustatykite droselio reguliatorių (C) į run  padėtį.

Kaip sustabdyti variklį - Pav. 4



DĖMESIO
Kuras ir jo garai yra labai degūs ir gali sprogti.
Ugnis arba sproginimas gali jus nudeginti arba užmušti.

- Nebandykite droseliu sustabdyti variklio.

- Nustatykite greičio reguliatorių (B) į slow  (lėtai) padėtį, pasukite jungiklį (D) į off padėtį (Pav. 4). Išimkite raktą ir laikykite jį kuo toliau nuo vaiku.
- Paspauskite stop jungiklį (F), jeigu toks yra, į off padėtį
- Kai variklis sustos, uždarykite kuro padavimo vožtuvą (A), jeigu toks yra.

Aptarnavimas

Mes rekomenduojame jums naudotis įgalioto Briggs & Stratton serviso atstovo paslaugomis variklio remontui ir dalims įsigyti.

PASTABA: Kad variklis gerai veiktų, visos jo dalys turi būti savo vietoje.

Išmetimo sistemos kontrolė

Išmetimo sistemos aptarnavimas, pakeitimas arba remontas gali būti atliktas bet kuriame variklių aptarnavimo centre. Tačiau, norėdami aptarnavimą gauti nemokamai, pagal Briggs & Stratton garantiją, išmetimo sistemą turite kreiptis į įgaliotą atstovą. Perskaitykite Išmetimo sistemos garantiją.



DĖMESIO
Netyčia atsiradusi kibirkštis gali sukelti gaisrą arba elektros smūgį.
Atsitiktinis variklio paleidimas gali jus sunkiai traumuoti.
Ugnies pavojus

Prieš variklio reguliavimą ir taisymą:

- Atjunkite uždegimo žvakės laidą ir laikykite jį toliau nuo uždegimo žvakės.
- Atjunkite akumuliatorių (varikliuose su elektriniu užvedimu).
- Naudokite tik specialius įrankius.
- Nelieskite reguliatoriaus spyruoklės arba kitų variklio dalių, galinčių paveikti variklio greitį.
- Atsarginės dalys turi būti vienodos ir sumontuotos toje pačioje vietoje kur buvo sumontuotos originalios dalys. Neoriginalios dalys gali sugadinti įrangą, pabloginti jos veikimą, traumoti Jus.
- Nedaužykite smagračio plaktuku arba kietu daiktu. Jis gali subyrėti.

Kibirkšties tikrinimas:

- Naudokite patvirtintą žvakės testerį.
- Netikrinkite kibirkšties esant išsuktai uždegimo žvakei.

Aptarnavimo lentelė

Pirmosios 5 valandos
<ul style="list-style-type: none"> Pakeiskite alyvą
Kas 8 valandas arba kasdien
<ul style="list-style-type: none"> Tikrinkite alyvos lygį Valykite purvą aplink duslintuvą ir valdymo elementus.
Kas 100 valandų arba kasmet
<ul style="list-style-type: none"> Valykite oro filtrą * Valykite priešfiltrą (jeigu toks yra) * Keiskite variklio alyvą ir filtrą Keiskite uždegimo žvakę Tikrinkite duslintuvą ir kibirkšties gaudiklį Tikrinkite vožtuvų tarpelius **
Kas 400 valandų arba kasmet
<ul style="list-style-type: none"> Keiskite oro filtrą Pakeiskite kuro filtrą Valykite variklio aušinimo sistema * Valykite alyvos aušintuvo briaunas *

* Jeigu variklis yra naudojamas dulkečioje aplinkoje, valykite dažniau.

** Nebūtina jeigu variklis veikia gerai.

Karbiuratoriaus reguliavimas

Niekada nereguliuokite karbiuratoriaus. Karbiuratorius yra sureguliuotas taip, kad galėtų efektyviai dirbti bet kokiomis sąlygomis. Tačiau jeigu reguliavimas yra būtinas, kreipkitės į artimiausią Briggs & Stratton serviso atstovą.

PASTABA: Įrangos gamintojas, kurio gaminyje yra sumontuotas šis variklis, nustato maksimalų greitį, kuriam esant, veiks variklis. **Nevisykykite** šio greičio.

Kaip pakeisti uždegimo žvakę - Pav. 5

Patikrinkite uždegimo žvakės tarpelį (A, Pav. 5) su matuokliu (B). Jeigu yra reikalinga, sureguliuokite oro tarpelį. Įdėkite ir priveržkite uždegimo žvakę atitinkama jėga. Ieškokite oro tarpelio ir sukimo momento duomenų skyriuje **Techninė informacija**.

Pastaba: Kai kuriose vietovėse vietiniai įstatymai reikalauja naudoti specialias uždegimo žvakes su varžomis, kurios slopina uždegimo signalus. Jeigu jūsų variklyje yra tokios žvakes, naudokite tokias pačias žvakes ir keitimui.

Apžiūrėkite duslintuvą ir kibirkščių gaudiklį - Pav. 6



DĖMESIO



Veikiantys varikliai skleidžia šilumą. Variklio dalys, ypač duslintuvas, labai įkaista.



Neatsargiai prisilietę, galite nudegti.

Susikaupusios lengvai užsiliepsnojančios medžiagos, tokios kaip lapai, žolė ir t.t. gali užsidegti.

- Leskite duslintuvui, variklio cilindrai ir briaunoms atvėsti prieš jas liesdami.
- Išvalykite žolę aplink duslintuvą ir cilindrą.
- Naudojimas varikliu miške, krumuose arba vėjoje be kibirkšties gaudiklio išmetimo sistemoje yra Kalifornijos valstijos viešųjų išteklių kodekso, 4442 skyriaus pažeidimas. Kitose valstijose gali galiooti panašūs įstatymai. Jus galite įsigyti kibirkšties gaudiklį, pritaikytą Jūsų išmetimo sistemai, pas originalios įrangos gamintoją, pardavėją arba atstovą.

Pašalinkite susikaupusį purvą nuo duslintuvo ir aplink cilindrą. Įsitinkite, kad ant duslintuvo (A, Pav. 6) nėra plyšių, rudžių ir jis nėra pažeistas. Nuimkite kibirkščių gaudiklį (B), jeigu toks yra, ir įsitinkite, kad jis nėra pažeistas arba užterštas. Jeigu radote pažeidimus, pakeiskite detales prieš įrangos naudojimą.



DĖMESIO: Atsarginės dalys turi būti vienodos ir sumontuotos toje pačioje vietoje kur buvo sumontuotos originalios dalys. Neoriginalios dalys gali sugadinti įrangą, pabloginti jos veikimą, traumuoti Jus.

Kaip pakeisti alyvą - Pav. 8 9

Naudota alyva yra pavojingas produktas. Elkitės su ja atsargiai. Neutilizuokite kartu su kitomis namų ūkio atliekomis. Teiraukitės jūsų vietinės valdžios, aptarnavimo centro arba serviso atstovo, kur galima utilizuoti/panaudotą alyvą.

Alyvos išpylimas

1. Kol variklis yra šiltas, atjunkite uždegimo žvakės laidą (A) ir laikykite jį toliau nuo uždegimo žvakės (Pav. 8).
2. Išsukite alyvos išpylimo kamštį (B, Pav. 9). Išpilkite alyvą į atitinkamą talpą.
3. Kai išpilsite visą alyvą, užsukite kamštį.

Pakeiskite alyvos filtrą (jeigu toks yra)

Kai kuriuose modeliuose yra alyvos filtras. Jo keitimo dažnumą galima rasti **Aptarnavimo** lentelėje.

1. Išpilkite alyvą iš variklio. Žiūrėkite skyrių **Alyvos išpylimas**.
2. Išsukite alyvos filtrą (C) ir utilizuokite jį pagal aplinkosaugos reikalavimus. Žiūrėkite Pav. 9.
3. Prieš įdėdami naują alyvos filtrą, sutepkite jo tarpinę šviežia alyva.
4. Užsukite alyvos filtrą ranka kol tarpinė palies oro filtro adapterį, po to padarykite dar nuo 1/2 iki 3/4 apskimo.
5. Įpilkite alyvą. Žiūrėkite skyrių **Alyvos išpylimas**.
6. Užveskite variklį. Kai jis išils, apžiūrėkite jį, kad nebūtų alyvos nutekėjimų.
7. Sustabdykite variklį ir patikrinkite alyvos lygį. Alyvos lygis turi būti ties full žyme (F) matuoklyje (Pav. 8).

Alyvos įpylimas

- Pastatykite variklį horizontaliai.
- Išvalykite alyvos įpylimo vietą nuo purvo.
- Perskaitykite **Techninė informacija** skyrių, kuriame yra parašyta variklio alyvos talpa.

1. Išsukite alyvos lygio matuoklį (D) ir išvalykite jį švariu audeklu (Pav. 8).
2. Lėtai įpilkite alyvą į alyvos įpylimo angą (E). **Neperpilkite.** Po įpylimo palaukite viena minutę ir patikrinkite alyvos lygį.
3. Įdėkite ir užsukite alyvos lygio matuoklį
4. Išsukite matuoklį ir patikrinkite alyvos lygį. Alyvos lygis turi būti ties full žyme (F) matuoklyje.
5. Įdėkite ir užsukite alyvos lygio matuoklį

Kaip aptarnauti oro filtrą - Pav. 11 12



DĖMESIO



Kuras ir jo garai yra labai degūs ir gali sprogti.



Ugnis arba sprogimas gali jus nudeginti arba užmušti.

- Niekada neveskite ir nedirbkite su varikliu, kuriame nėra oro filtro mazgo (jeigu toks yra) arba oro filtro (jeigu toks yra).

PASTABA: Filtro valymui nenaudokite suspausto oro arba tirpiklių. Suspaustas oras gali pažeisti oro filtrą; tirpikliai - sugadinti.

Paveikslėlyje yra pavaizduotos dvi oro filtro sistemos. Jų keitimo dažnumą ieškokite **Aptarnavimo lentelėje**.

1. **Modeliuose be kuro bako:** Atidarykite fiksatorius (A) ir nuimkite dangtį (B). Žiūrėkite Pav. 11.
2. **Modeliuose su kuro baku:** Atsukite veržlę (C) ir nuimkite dangtį (B). Žiūrėkite Pav. 12.
3. Atsukite veržlę (D) ir nuimkite laikiklį (E). Žiūrėkite Pav. 11 ir 12.
4. Išimkite oro filtrą (F).
5. Išimkite priešfiltrą (G), jeigu toks yra, iš filtro.
6. Norėdami išvalyti filtrą nuo žolės, lengvai suduokite juo per kietą paviršių. Jeigu filtras yra labai nešvarus, įdėkite naują filtrą.
7. Išplaukite priešfiltrą vandenyje su valymo priemone. Išdžiovinkite jį. **Nemirkykite** jo alyvoje.
8. Įdėkite išdžiovintą priešfiltrą į filtrą.
9. Sumontuokite oro filtrą ir pritvirtinkite jį laikikliu ir veržle.
10. Sumontuokite dangtį.

Kaip pakeisti kuro filtrą - Pav. 7



DĖMESIO



Kuras ir jo garai yra labai degūs ir gali sprogti.



Ugnis arba sprogimas gali jus nudeginti arba užmušti.

- Laikykite kurą kuo toliau nuo kibirkščių, atviros ugnies, karščio ir kitų ugnies šaltinių.
- Pastoviai tikrinkite kuro žarneles, baką, dangtį ir bako tvirtinimus tam, kad nebūtų jokių plyšių ar kuro nutekėjimo. Jei reikia, pakeiskite susidėvėjusias ar pažeistas dalis.
- Prieš kuro filtro pakeitimą išpilkite kurą iš bako arba uždarykite kuro padavimo vožtuvą.
- Atsarginės dalys turi būti vienodos ir sumontuotos toje pačioje vietoje kur buvo sumontuotos originalios dalys.
- Jeigu kuras išsilis, prieš vesdami variklį, palaukite, kol jis išgaruos.

1. Prieš kuro filtro (A, Pav. 7) pakeitimą, jeigu toks yra įrengtas, išpilkite kurą iš bako arba uždarykite kuro padavimo vožtuvą. Kitaip kuras gali išbėgti ir sukelti gaisrą arba sprogimą.
2. Replėmis paimkite kilpas (B) esančias ant gnybtų (C) ir nuimkite gnybtus nuo kuro filtro. Pasukinėkite ir atjunkite kuro žarnas (D) nuo kuro filtro.
3. Apžiūrėkite kuro žarnas. Pakeiskite jas jeigu pastebėjote plyšius arba įtrukimus.
4. Pakeiskite kuro filtrą nauju originaliu.
5. Užspauskite kuro žarnas gnybtais kaip yra parodyta.

Pastaba: Varikliuose, kuriuose yra sumontuotas gamintojo kuro bakas, gali būti kuro bako filtras (E), žiūrėkite paveikslėlį 3.

Kaip išvalyti oro aušinimo sistemą - Pav. 10



DĖMESIO



Veikiantys varikliai skleidžia šilumą. Variklio dalys, ypač duslintuvas, labai įkaista.



Neatsargiai prisilietę, galite nudegti.

Susikaupusios lengvai užsiliepsnojančios medžiagos, tokios kaip lapai, žolė ir t.t. gali užsidegti.

- Leskite duslintuvui, variklio cilindrai ir briaunoms atvėsti prieš jas liesdami.
- Išvalykite žolę aplink duslintuvą ir cilindrą.

PASTABA: Nevalykite variklio vandeniu. Vanduo gali patekti į kurą. Valymui naudokite šepetį arba švarų audeklą.

Šis variklis yra aušinamas oru. Purvas ir žolė gali užkimšti oro aušinimo sistemą ir variklis gali perkaisti, kas sąlygos prastą variklio darbą ir sutrumpins jo tarnavimo laikotarpį.

Šepėčiu arba sausu audeklu valykite smagračio apsaugą (A). Palaikykite jungtis, spyruokles ir valdymo organus (B) švaroje. Duslintuvas ir plotas aplink jį (C) turi būti švarus (Pav. 10). Alyvos aušintuvo briaunos (D) taip pat turi būti švarios.

Sandėliavimas



DĖMESIO

Kuras ir jo garai yra labai degūs ir gali sprogti.
Ugnis arba sproginimas gali jus nudeginti arba užmušti.

Sandėliuojant kurą arba įrangą su kuru bake

- Laikykite kuro toliau nuo krosnių, viryklių, vandens šildytuvų arba kitos įrangos, kuri veikia esant atvirai liepsnai, nes gali užsiliepsnoti kuro garai.

Kuro sistema

Benzinas gali pasenti jeigu jis yra saugomas virš 30 dienų. Pasenusiam benzine gali

atsirasti kenksmingos kuro sistemai nuosėdos. Tam kad kuras liktų šviežias, naudokite Briggs & Stratton FRESH START® kuro stabilizatorių, kuris būna skystame pavidale arba koncentrato kasetėje.

Jeigu į benzina yra įpiltas kuro stabilizatorius, jį galima palikti variklyje. Užveskite variklį ir palaukite apie 2 min. kol stabilizatorius pasiskleis po visą kuro sistemą. Po šios procedūros variklis ir kuras gali būti sandėliuojami iki 24 mėnesių.

Jeigu į benzina nebuvo įpiltas kuro stabilizatorius, išpilkite jį į atitinkamą talpą. Užveskite variklį ir palaukite kol baigsis benzinas. Mes rekomenduojame įpilti kuro stabilizatorių į benzino saugojimo talpą, benzinas liks šviežias.

Variklio alyva

Keiskite variklio alyvą kol variklis yra šiltas.

Gedimas

Reikalinga pagalba? Aplankykite BRIGGSandSTRATTON.com arba paskambinkite **1-800-233-3723**.

Specifikacija

Variklio techninė informacija	
Modelis	290000
Tūris	29,23 ci (479 cc)
Cilindro skersmuo	2,677 in (68 mm)
Cilindro eiga	2,598 in (66 mm)
Alyvos talpa	46 - 48 oz (1,36 - 1,42 L)

Variklio techninė informacija	
Modelis	300000
Tūris	29,23 ci (479 cc)
Cilindro skersmuo	2,677 in (68 mm)
Cilindro eiga	2,598 in (66 mm)
Alyvos talpa	46 - 48 oz (1,36 - 1,42 L)

Techninė reguliavimo informacija *	
Modelis	290000, 300000
Uždegimo žvakės tarpelis	0,030 in (0,76 mm)
Uždegimo žvakės užsukimo momentas	180 lb-in (20 Nm)
Oro tarpelis tarp indukcinės ritės/smagračio	0,008 - 0,012 in (0,20 - 0,30 mm)
Įsiurbimo vožtuvo laisvumas	0,004 - 0,006 in (0,10 - 0,15 mm)
Išmetimo vožtuvo laisvumas	0,004 - 0,006 in (0,10 - 0,15 mm)

Variklio techninė informacija	
Modelis	350000
Tūris	34,78 ci (570 cc)
Cilindro skersmuo	2,835 in (72 mm)
Cilindro eiga	2,756 in (70 mm)
Alyvos talpa	46 - 48 oz (1,36 - 1,42 L)

Variklio techninė informacija	
Modelis	380000
Tūris	38,26 ci (627 cc)
Cilindro skersmuo	2,972 in (75,5 mm)
Cilindro eiga	2,756 in (70 mm)
Alyvos talpa	46 - 48 oz (1,36 - 1,42 L)

Techninė reguliavimo informacija *	
Modelis	350000, 380000
Uždegimo žvakės tarpelis	0,030 in (0,76 mm)
Uždegimo žvakės užsukimo momentas	180 lb-in (20 Nm)
Oro tarpelis tarp indukcinės ritės/smagračio	0,008 - 0,012 in (0,20 - 0,30 mm)
Įsiurbimo vožtuvo laisvumas	0,004 - 0,006 in (0,10 - 0,15 mm)
Išmetimo vožtuvo laisvumas	0,004 - 0,006 in (0,10 - 0,15 mm)

* Variklio galingumas mažės 3,5% kas 1000 pėdų (300 metrų) virš jūros lygio ir 1% kas 10° F (5,6° C) virš 77° F (25° C). Variklis veiks patenkinamai plokštumoje iki 15° kampo. Naudojimo instrukcijoje rasite saugos instrukcijas leistinam darbui nuokalnėse.

Bendro naudojimo dalys ✓

Atsarginė dalis	Dalies numeris
Oro filtras - su kuro baku	393957
Oro filtras - visi kiti modeliai išskyrus 380000	394018
Oro filtras - modelis 380000	692519
Oro filtro priešfiltras - su kuro baku	271794
Oro filtro priešfiltras - visi kiti modeliai išskyrus 380000	272490
Oro filtro priešfiltras - modelis 380000	692520
Alyva - SAE 30	100028
Alyvos filtras - 6 cm ilgio	492932
Alyvos filtras - 9 cm ilgio	491056

Atsarginė dalis	Dalies numeris
Kuro filtras - su kuro baku	808116
Kuro filtras - su kuro siurbliu	691035
Kuro filtras - be kuro siurblio	298090
Kuro priedas	5041
Rezistorinė uždegimo žvakė	491055
Ilgro naudojimo platininė uždegimo žvakė	5066
Uždegimo žvakės raktas	19374
Kibirkšties testeris	19368

✓ Mes rekomenduojame aptarnauti variklį tik pas įgaliotus Briggs & Stratton serviso atstovus.

RIBOTA GARANTIJA

Briggs & Stratton korporacija nemokamai suremontuos ar pakeis bet kurią variklio detalę ar detales, kurios pagamintos iš nekokybiškų medžiagų, nekokybiškai pagamintos ar abu šie atvejai viename. Transporto išlaidas už detalių, skirtų remontui ar pakeitimui, pristatymą, vadovaujantis šia garantija, apmoka pirkėjas. Ši garantija yra taikoma atitinkamam laikotarpiui ir galioja pagal sąlygas, išvardintas šiame polise. Norėdami gauti garantinį remontą, kreipkitės į artimiausią Įgaliotą Aptarnavimo centrą, nurodytą kompanijos internetiniame puslapyje BRIGGSandSTRATTON.COM arba kataloge "Geltonieji puslapiai".

Nėra jokių kitų tiesioginių garantijų. Numanomos garantijos, įskaitant tinkamumo prekybai arba atitinkamo konkrečioms panaudojimo sritims garantija, apribotos vienerių metų nuo pirkimo dienos laikotarpiu arba leistinomis įstatymų rėmais. Nėra jokių kitų numanomų garantijų. Atsakomybė už netiesioginius pažeidimus pagal visas garantijas yra atmetama tiek kiek leidžia įstatymai. Kai kurios valstybės neriboja numanomos garantijos galiojimo laiko, kitose neleidžiama eliminuoti arba riboti atsakomybę už atsitiktinę arba logiškai išplaukiančią žalą. Tokiu būdu, aukščiau pateiktos išimties ir apribojimai gali Jūsų nepaliesiti. Ši garantija suteikia Jums išskirtines juridines teises. Jūs taip pat galite pasinaudoti kitomis teisėmis, kurias Jums suteikia Jūsų šalies įstatymai.

STANDARTINIAI GARANTIJOS TERMINAI * ▲

Prekinis ženklas/Produkto tipas	Privatus naudojimas	Komercinis naudojimas
Vanguard™	2 metai	2 metai
Extended Life Series™; I/C®; Intek™ I/C®, Intek™ Pro; Professional Series™ su Dura-Bore™ cil. gilze iš ketaus; 850 Series™ su Dura-Bore™ cil. gilze iš ketaus; Snow Series MAX™ su Dura-Bore™ cil. gilze iš ketaus Visi kiti Briggs & Stratton varikliai kartu su Dura-Bore™ Cast Iron Sleeve tipo varikliais.	2 metai	1 metai
Visi kiti Briggs & Stratton varikliai	2 metai	90 dienų

* Šie terminai yra standartiniai, jie gali būti papilyti arba pakeisti bet kuriuo laiku. Norėdami sužinoti naujausią informaciją apie Jūsų variklio garantiją, apsilankykite www.briggsandstratton.com arba susisiekite su artimiausiu Briggs&Stratton įgaliotu atstovu.

▲ Varikliams, naudojamiems namų rezerviniuose generatoriuose, garantija galioja „Privataus naudojimo“ sąlygomis. Ši garantija negalioja varikliams, kurie yra naudojami kaip pagrindinis energijos šaltinis komerciniais tikslais. **Garantija netaikoma varikliams, naudojamiems sportinėms varžyboms ir lenktynėms arba komerciniuose bei nuomojamuose automobiliuose.**

Garantinis periodas prasideda nuo prekės įsigijimo datos privačių vartotojų arba komercinių naudotojų, ir galioja laike, kuris yra nurodytas lentelėje aukščiau. "Privatus naudojimas" reiškia individualų naudojimą pirmo mažmeninio pirkėjo savajame asmeniniame plote. "Komercinis naudojimas" reiškia visus kitus naudojimo būdus, įskaitant naudojimą nuomai, pelnui gauti ir pan. Jeigu variklis buvo nors vieną kartą panaudotas komerciniais tikslais, jis bus priskirtas prie komercijos tikslams naudojamų variklių kategorijos ir jam bus taikoma atitinkama garantija.

Briggs & Stratton variklių garantijos įgyvendinimui garantinis talonas nereikalaujamas. Jūs privalote išsaugoti tik pirkimo čekį. Pateikiant garantinį reikalavimą, reikalaujamas pirkimo datos įrodymas.

Dėl Jūsų Garantijos

Briggs & Stratton yra pasiruošę remontuoti jūsų variklį pagal garantiją ir atsipašo už suteiktus nepatogumus. Bet kuris Įgaliotas Aptarnavimo centras gali atlikti garantinį remontą. Daugumoje atvejų mes priimame variklius garantiniam remontui, bet kartais reikalavimai garantiniam remontui yra nepagrįsti.

Jeigu kliento nuomonė skiriasi nuo Serviso centro nuomonės, bus atliktas tyrimas, siekiant nustatyti, ar bus taikytinas garantinis aptarnavimas. Prašykite Serviso centro suteikti visą reikalingą informaciją Platintojui arba Gamyklai. Jeigu Platintojas arba Gamykla nutaria, kad skundas buvo teisėtas, klientui bus pilnai atlyginta už neveikiančias dalis. Siekiami išvengti nesupratimų, kurie gali iškilti tarp Kliento ir Serviso centro, žemiau pateikiame keletą variklio gedimo priežasčių, kurių garantiniai įsipareigojimai neapima.

Natūralus nusidėvėjimas: varikliams, kaip ir visiems mechaniniams įrenginiams, reikalingas periodiškasis aptarnavimas bei detalių keitimas, kad būtų užtikrintas tinkamas veikimas. Garantija netaikoma, jei dalis sugedo dėl jos natūralaus nusidėvėjimo. Garantija netaikoma, jeigu variklio pažeidimas atsirado dėl netinkamo naudojimo, nesant reikiamo aptarnavimo, transportavimo, saugojimo arba neteisingo sumontavimo ant įrangos. Taip pat garantija nėra taikoma, jeigu variklio serijinis numeris buvo nuimtas nuo variklio arba variklis buvo pakeistas ar modifikuotas.

Netinkamas aptarnavimas: Variklio gyvavimo trukmė priklauso nuo sąlygų, kurioms esant jis veikia, ir nuo jo priežiūros. Kai kurios detalės, kaip antai parentuvai, siurbiai bei veļapjovės dažnai naudojamoms dulkeļoje ar purvinoje aplinkoje, o tai gali sąlygoti priešlaikinį nusidėvėjimą. Tokiam nusidėvėjimui, kurį sąlygojo purvas, dulkės, žvakės valymo milteliai ar kitos abrazyvinės medžiagos, pakenkusios varikliui dėl netinkamos priežiūros, garantiniai įsipareigojimai netaikomi.

Šie garantiniai įsipareigojimai galioja tik su varikliu susijusioms nekokybiškoms medžiagoms ir/ar darbams, o ne įrangos, kurioje variklis sumontuotas, keitimui ar jos kainos grąžinimui. Garantija taip pat netaikoma remonto darbams, reikalingiems dėl:

1 **Problemų, iškilusių dėl detalių, kurios nėra originalios Briggs & Stratton detalės.**

2 Įrangos valdymo mechanizmų ar priedų, trukdančių variklio paleidimui, slopinančių variklio darbą arba sutrumpinančių variklio tarnavimo laiką. (Susisiekite su įrangos gamintoju)

3 Leidžiančių kurą karbiuratorių, užkimštų kuro vamzdelių, įstrigusių vožtuvų arba kitų pažeidimų, atsiradusių dėl užteršto arba etiliuoto kuro naudojimo.

4 Dalių, kurios yra pažeistos arba sulaužytos dėl variklio veikimo esant nepakankamam arba užterštam tepimui arba dėl netinkamo alyvos lygio (tikrinkite alyvos lygį kasdien. Papildykite, jeigu jos reikia, ir keiskite rekomenduojamu laiku). Alyvos lygio daviklis OIL GARD gali nesustabdyti veikiančio variklio. Variklis gali būti sugadintas esant neteisingam alyvos lygio palaikymui.

5 Remonto arba reguliavimo dalių, kurios yra susijusios su varikliu, tokių kaip sankaba, transmisija, valdymo svirtys ir pan., kurios nėra pagamintos kompanijoje Briggs & Stratton.

6 Detalių pažeidimų ir nusidėvėjimo dėl purvo, kuris pateko į variklį dėl neteisingos oro filtro priežiūros, surinkimo arba neoriginalaus oro filtro elemento arba kasetės naudojimo. Rekomenduojamu laiku valykite ir/arba keiskite filtrą, kaip yra nurodyta naudojimo ir eksploatacijos instrukcijoje.

7 Dalių, kurios buvo sugadintos esant per didelėms apsakoms arba esant perkaitimui, kuris įvyko žolei, purvui patekus ant variklio ir užteršusių aušinimo briaunas arba smagrąž; ar dėl pažeidimo, kuris buvo padarytas varikliui veikiančiam uždaroje patalpoje be pakankamo aušinimo. Valykite variklį rekomenduojamu laiku kaip yra nurodyta naudojimo ir eksploatacijos instrukcijoje.

8 Sugedusių variklio arba įrangos dalių, sugadintų dėl papildomos didelės vibracijos, kuri atsirado dėl atsilaisvusių variklio tvirtinimų, pjovimo peilių, nebalansuotų skriemulių, neteisingo dalių sujungimo su variklio korpusu, perdidelio greičio arba kitos neteisingos operacijos.

9 Sulenkto arba lūžusio alkūninio veleno, sugadinto dėl žoliapjovės peilių smūgio į kietą daiktą arba dėl per stipriai įtempto "V" formos diržo.

10 Įprastinio variklio reguliavimo arba paruošimo darbu.

11 Variklio arba variklio detalių sugadinimo, tokių kaip degimo kameros, vožtuvų, vožtuvų galvučių, vožtuvų kreipiamųjų arba sudegusių starterio apvijų, sugadintų dėl kitų kuro tipų naudojimo, tokių kaip dujos, alternatyvios kuro rūšys ir pan.

Garantinis aptarnavimas yra atliekamas tik per Įgaliotus Briggs & Stratton serviso atstovus. Jums artimiausią serviso atstovą galima rasti apsilankius mūsų puslapyje BRIGGSandSTRATTON.COM arba kataloge „Geltonieji puslapiai“.

Vispārīga informācija

Šajā rokasgrāmatā ir aprakstīta informācija par drošību, lai pasargātu Jūs no briesmām un riska, kuri pastāv saskarē ar dzinējiem un kā no tiem izvairīties. Tā arī satur instrukcijas dzinēja pareizai lietošanai un apkopei. Tāpēc, ka Briggs & Stratton Corporation ne vienmēr var zināt kādu aprīkojumu dzinējs apgādās ar dzinējspēku, ir svarīgi izlasīt un izprast šīs instrukcijas, kā arī instrukcijas aprīkojumam, kuru dzinējs apgādā ar dzinējspēku. **Saglabājiet šīs instrukcijas - iespējams, ka vēlāk tās vajadzēs pārlasīt.**

Rezerves daļu pieprasīšanai vai tehniskai palīdzībai pierakstiet zemā dzinēja modeļa, tipa un koda numurus kopā ar pirkšanas datumu. Šie numuri ir uz jūsu dzinēja (skatīt **Īpašības un vadības elementi** lappusi).

Pirkšanas datums: _____

MM/DD/GGGG

Dzinēja modelis: _____

Modelis:

Tips:

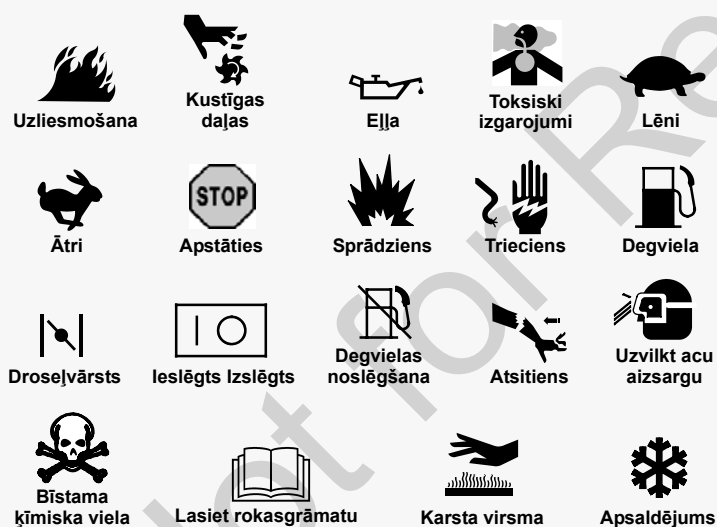
Kods:

Informācija par dzinēja jaudas novērtēšanu

Atsevišķiem gāzes (gas) dzinēju modeļiem norādītā jauda tiek apzīmēta atbilstoši novērtējumam pēc SAE (Society of Automotive Engineers) noteikumiem J1940 (Mazu dzinēju jaudas momenta noteikšanas procedūra) un to jaudas novērtēšana veikta un koriģēta atbilstoši SAE noteikumiem J1995 (pārskatīti 2002-05). Griezes moments ir noteikts pie 3060 RPM; zirgspēku lielums ir noteikts pie 3600 RPM. Faktiskā kopējā dzinēja jauda būs zemāka, jo to, starp citu, ierada, apkārtējās vides apstākļi un atšķirības starp atsevišķiem dzinējiem. Ņemot vērā gan plašo iekārtu spektru, kurām dzinēji tiek uzstādīti, gan arī ar iekārtu darbināšanu saistīto vides apstākļu daudzveidību, var izrādīties, ka jūsu iegādātais gāzes dzinējs konkrētajā iekārtā neattīstīs norādīto jaudu (faktisko jaudu "uz vietas" vai kopējo jaudu zirgspēkos). Šādu atšķirību pamatā galvenokārt ir visdažādākie faktori, piemēram (bet ne tikai), piederumi (gaisa filtri, izpūtēji, ģeneratori, dzesēšanas ierīces, karburatori, degvielas sūkņi, u. t. t.), izmantošanas ierobežojumi, apkārtējās vides apstākļi (temperatūra, gaisa mitrums, augstums virs jūras līmeņa), kā arī atšķirības starp atsevišķiem dzinēju eksemplāriem. Ražošanas un jaudas ierobežojumu rezultātā, Briggs & Stratton var aizvietot augstākas jaudas dzinēju ar šīs Sērijas dzinēju.

Operatora drošība

DARBA DROŠĪBAS UN VADĪBAS SIMBOLI



Drošības trausmes simbols tiek izmantots, lai norādītu uz drošības informāciju par riska faktoriem, kas var izraisīt ievainojumu. Signālvārds (DRAUDI, BRĪDINĀJUMS, PIESARDZĪBA) tiek izmantots kopā ar trausmes simbolu lai norādītu iespējamību un potenciālā ievainojuma smagumu. Riska simbols var tikt papildus izmantots riska veida norādīšanai.

DRAUDI norāda uz risku, kas nenovēršanas gadījumā, izraisīs nāvi vai nopietnu ievainojumu.

BRĪDINĀJUMS norāda uz risku, kas nenovēršanas gadījumā var izraisīt nāvi vai nopietnu ievainojumu.

PIESARDZĪBA norāda uz risku, kas nenovēršanas gadījumā varētu izraisīt nelielu vai vidēju ievainojumu.

PIEZĪME norāda uz situāciju, kas var izraisīt produkta bojājumu.



BRĪDINĀJUMS

Šajā produktā zināmas sastāvdaļas un to attiecīgie piederumi satur ķīmiskas vielas, kas Kalifornijas štatā ir atzītas par izraisošām vēzi, iedzimtus defektus vai citu reproduktīvu kaitējumu. Pēc darba ar šiem izstrādājumiem mazgājiet rokas.



BRĪDINĀJUMS

Šī dzinēja izplūdes gāzes satur ķīmiskas vielas, kas Kalifornijas štatā ir atzītas par izraisošām vēzi, iedzimtus defektus vai citu reproduktīvu kaitējumu.



BRĪDINĀJUMS

Briggs & Stratton nesankcionē un neautorizē šo dzinēju izmantošanu uz 3 riteņu visurģājējiem (All Terrain Vehicles (ATVs)), motocikliem, izklaides/atpūtas nolūkiem paredzētiem gokartiem, lidmašīnām vai transportlīdzekļiem, kas paredzēti sacīkstēm. Minēto dzinēju izmantošana šādos pielietojumos var izraisīt iekārtas bojājumu, nopietnu ievainojumu (ieskaitot paralīzi) vai pat nāvi.

PIEZĪME: Dzinējs no Briggs & Stratton tiek nosūtīts bez eļļas. Pirms dzinēja iedarbināšanas, pārliecinieties, ka jūs esiet ielējis eļļu atbilstoši šīs rokasgrāmatas instrukcijām. Ja jūs iedarbināsit dzinēju bez eļļas, tas tiks sabojāts bez iespējam izremontēt un uz to garantija neattieksies.



BRĪDINĀJUMS

Degviela un tā garaiņi ir ārkārtīgi viegli uzliesmojoši un sprādzienbīstami.
 Uguns vai sprādziens var izraisīt smagus apdegumus vai nāvi.

Uzpildot degvielu

- Izslēdziet dzinēju un ļaujiet dzinējam vismaz 2 minūtes atdzist pirms degvielas tvertnes vāciņa noņemšanas.
- Uzpildiet degvielas tvertni ārpus telpām vai vietā ar labu ventilāciju.
- Nepārpildiet degvielas tvertni. Lai būtu iespējama degvielas izplešanās, nepiepildiet virs degvielas tvertnes kakliņa apakšdaļas.
- Uzglabājiet degvielu atstatos no dzirkstelēm, atklātām liesmām, degļiem, karstuma un citiem aizdegšanās avotiem.
- Bieži pārbaudiet, vai degvielas caurulēm, tvertnei, vāciņiem un sastiprinājumiem nav plaisas vai sūces. Nepieciešamības gadījumā nomainiet.
- Ja degviela izlaistās, pirms dzinēja iedarbināšanas pagaidiet, līdz tā izgaro.

Iedarbinot dzinēju

- Pārliecinieties, ka aizdedzes svece, klusinātājs, degvielas vāciņš un gaisa atfiltrētājs (ja ir aprīkojumā) ir savā vietā un droši nostiprināts.
- Negrieziet dzinēju, ja aizdedzes svece ir izņemta.
- Ja dzinējs pārplūst, uzstādiet gaisa vārstu (ja ir aprīkojumā) stāvoklī OPEN (atvērts)/RUN (darbība), virziet droselē (ja ir aprīkojumā) uz stāvokli FAST (ātrs) un grieziet, līdz dzinējs sāk darboties.

Darbinot iekārtu

- Nesagāziet dzinēju vai iekārtu tādā leņķī, kas izraisa degvielas izlīšanu.
- Neveiciet karburatora gaisa vārsta aizvēršanu, lai apstādinātu dzinēju.
- Nekad neiedarbiniet vai nedarbiniet dzinēju, kad noņemts gaisa atfiltrētāja mezgls (ja ir aprīkojumā) vai gaisa filtrs (ja ir aprīkojumā).

Nomainiet eļļu

- Ja jūs izlejšiet eļļu caur augšējo eļļas uzpildnes cauruli, degvielas tvertnei jābūt tukšai, jo degviela var izplūst ārā un var izraisīt uzliesmojumu vai sprādzienu.

Transportējot iekārtu

- Transportējiet ar TUKŠU degvielas tvertni vai ar degvielas slēgvārstu stāvoklī OFF.

Uzglabājot degvielu vai iekārtu ar degvielu tvertne

- Uzglabājiet atstatos no kurtuvēm, plītm, ūdenssildītājiem vai citām ierīcēm, kurām ir degļi vai citi aizdegšanās avoti, jo tie var izraisīt degvielas izgarojumu uzliesmošanu.



BRĪDINĀJUMS

Dzinēja iedarbināšana izraisa dzirkstejošanu.
 Dzirkstejošana var aizdedzināt tuvumā esošas ugunsnedrošas gāzes.
 Tas var izraisīt eksploziju un ugunsgrēku.

- Neiedarbiniet dzinēju, ja tuvumā ir dabasgāzes vai šķidrā propāna gāzes (LP) noplūde.
- Neizmantojiet saspiestus iedarbināšanas šķidrums, jo garaiņi var būt uzliesmojoši.



BRĪDINĀJUMS



Dzinēji izdala tvana gāzi, kas ir indīga gāze bez smaržas un krāsas. Tvana gāzes ieelpošana var izraisīt nelabumu, samaņas zaudēšanu vai nāvi.

- Iedarbiniet un darbiniet dzinēju ārpus telpām.
- Neiedarbiniet un nedarbiniet dzinēju noslēgtā vietā, pat ja durvis vai logi ir atvērti.



BRĪDINĀJUMS



Strauja startera auklas ieraušana atpakaļ (atsitiens) var paraut plaukstu un roku uz dzinēja pusi ātrāk nekā jūs varēsiet palaist to vaļā. Tas var izraisīt kaulu lūzumus, plīsumus, sasitumus vai sastiepumus.

- Iedarbinot dzinēju, lēnām velciet startera auklu līdz sajūtat pretestību, tad paraujiet strauji, lai izvairītos no atsitienu.
- Pirms dzinēja iedarbināšanas noņemiet visas ārējās iekārtas/dzinēja noslodzi.
- Tieši pievienotām iekārtas sastāvdaļām, piemēram, bet ne tikai, asmeņiem, lāpstītrīteņiem, trīšiem, zobratiem u.tml. ir jābūt droši piestiprinātiem.



BRĪDINĀJUMS



Rotējošas daļas var pieskarties vai sapīties ar rokām, kājām, matiem, apģērbu vai piederumiem.

Rezultāts var būt traumatiska amputācija vai smagas plēstas brūces.

- Darbiniet iekārtu ar uzstādītiem aizsarglīdzekļiem.
- Turiet rokas un kājas atstatu no rotējošām daļām.
- Sasieniet garus matus un noņemiet rotaslietas.
- Nevalkājjiet vaļīgu apģērbu, apģērba gabalus ar brīvām auklām vai citiem elementiem, kas varētu tikt aizķerti.



BRĪDINĀJUMS



Dzinēju darbināšana rada karstumu. Dzinēja daļas, it īpaši klusinātājs, kļūst ļoti karstas.

Saskares gadījumā var rasties smagi apdegumi.



Ugunsnedroši priekšmeti, piemēram, lapas, zāle, krūmājs utt. var aizdegties.

- Ļaujiet klusinātājam, dzinēja cilindram un ribām atdzist pirms pieskaršanās.
- Notīriet klusinātāja un cilindra tuvumā uzkrājušos gružus.
- Kalifornijas sabiedrisko resursu kodeksa, 4442. paragrāfa likumpārkāpums ir šī dzinēja izmantošana vai darbināšana jebkāda meža vai uz zemes, kas klāta ar krūmiem vai zāli, ja izpūtēja sistēmai nav uzstādīts un uzturēts darba kārtībā dzirksteli slāpētāju, kā tas norādīts 4442. paragrāfā. Citos štatos vai federālai jurisdīkcijai pakļautās teritorijās var būt līdzīgi likumi. Lai iegādātos dzirksteli slāpētāju, kas konstruēts šim dzinējam uzstādītai izpūtēja sistēmai, sazinieties ar oriģinālās iekārtas izgatavotāju, mazumtirgotāju vai tirdzniecības pārstāvi



BRĪDINĀJUMS



Nejauša dzirksteļošana var izraisīt uguni vai elektriskās strāvas triecienu.



Nejauša iedarbināšana var izraisīt sapīšanos, traumatisku amputāciju vai plēstu brūci.



Uzliesmošanas risks

Pirms regulēšanas vai remonta

- Atvienojiet aizdedzes sveces vadu, un neturiet to aizdedzes sveces tuvumā.
- Atvienojiet akumulatoru baterijas negatīvo spaili (tikai dzinējiem ar elektrisko iedarbināšanu).
- Lietojiet tikai pareizos instrumentus.
- Nepārtaisiet regulatora atsperi, sasaites vai citas daļas, lai palielinātu dzinēja ātrumu.
- Nomaināmām daļām jābūt tādas pašas konstrukcijas un tām jābūt iemontētām tajā pašā vietā kā oriģinālajām daļām. Cita veida daļas var nedarboties tikpat labi, var sabojāt iekārtu un var izraisīt ievainojumu.
- Nesitiet spararatu ar āmuru vai cietu priekšmetu, jo tādā gadījumā spararats var vēlāk saplīst darbības laikā.

Pārbaudot dzirksteli

- Izmantojiet sankcionētu aizdedzes sveces testerī.
- Nepārbaudiet dzirksteli, ja aizdedzes svece ir izņemta.

Īpašības un vadības elementi

Saīdiniet ilustrāciju **1** ar jūsu dzinēju, lai iepazītos ar dažādām īpašībām un vadības elementu novietojumu.

- A. Dzinēja identifikācija
Modelis Tips Kods
- B. Aizdedzes svece
- C. Gaisa attīrītājs (bez degvielas tvertnes)
- D. Gaisa attīrītājs (ar degvielas tvertni)
- E. Mērstienis
- F. Eļļas uzpilde
- G. Eļļas filtrs (kā opcija)
- H. Eļļas iztecinašanas korķis
- I. Eļļas spiediena sensors
- J. Pirkstu aizsargs
- K. Elektriskais starteris
- L. Starteris iedarbināšanai ar rāvienu (kā opcija)
- M. Karburators
- N. Klusinātājs (kā opcija)
- O. Degvielas sūknis
- P. Startera slēdzis *
- Q. Droseles vadība *
- R. Gaisa vārsta vadība *
- S. Degvielas filtrs (kā opcija)
- T. Degvielas tvertne (kā opcija)
- U. Degvielas slēgvārsts (kā opcija) *
- V. Apturēšanas slēdzis (kā opcija) *
- W. Eļļas dzesētājs (kā opcija)

* Dažām ierīcēm un aprīkojumam ir distances vadība. Par distances vadības izvietojumu un darbināšanu skatīt aprīkojuma instrukciju.

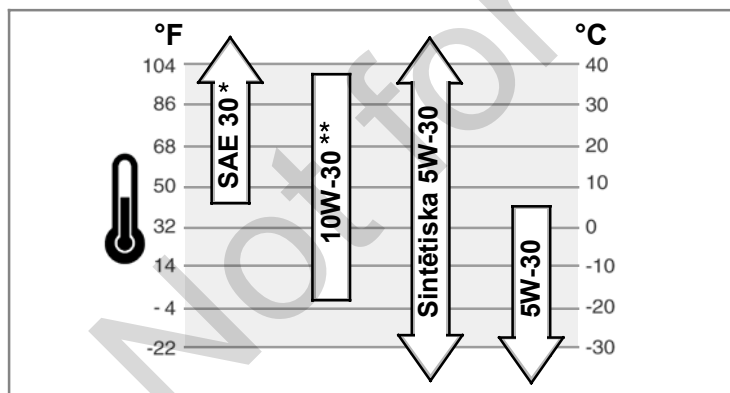
Ekspluatācija

Eļļas ietilpība (skatīt **Specifikāciju** nodaļu)

Eļļas Rekomendācijas

Mēs iesakām labai darbībai izmantot Briggs & Stratton ar garantiju (Warranty Certified) sertificētās eļļas. Citas augstas kvalitātes tīrošanas eļļas arī ir piemērotas, ja tās klasificētas darbam kā SF, SG, SH, SJ vai augstāk. Neizmantojiet speciālās piedevas.

Piemērotā dzinēja eļļas viskozitāte tiek izvēlēta izejot no āra temperatūras. Pēc diagrammas izvēlieties vislabāko viskozitātes pakāpes eļļu, kas atbilst sagaidāmajai āra temperatūrai.



* Ja SAE 30 eļļa tiek izmantota zem 40°F (4°C), tā varētu izraisīt apgrūtinātu iedarbināšanu.

** 10W-30 eļļas izmantošana virs 80°F (27°C) var izraisīt palielinātu eļļas patēriņu. Pārbaudiet eļļas līmeni biežāk.

Kā pārbaudīt/pieliet eļļu - Attēlu 2

Pirms eļļas pieliešanas vai eļļas līmeņa pārbaudes

- Novietojiet dzinēju horizontāli.
 - Notīriet eļļas uzpildes vietu no jebkādiem gružiem.
1. Izņemiet mērstieni (A) un noslaukiet ar tīru drānu (Attēlu 2).
 2. Pilnīgi ievietot dziļuma mērītāju.

3. Izņemiet mērstieni un pārbaudiet eļļas līmeni. Tam ir jābūt pie piepildījuma indikatora (full indicator) augšas uz mērstieņa (B).
4. Ja līmenis zems, lēni lejiet eļļu dzinēja eļļas uzpildnē (C). **Neiepildiet par daudz.** Pēc eļļas ieliešanas, pagaidiet vienu minūti un tad pārbaudiet eļļas līmeni.
5. Pilnīgi ievietot dziļuma mērītāju.

Eļļas spiediens

Ja eļļas spiediens ir pārāk zems, spiediena slēdzis (ja ir aprīkojumā) vai nu apturēs dzinēju, vai aktivizēs iekārtas brīdināšanas ierīci. Ja tas notiek, apturiet dzinēju un pārbaudiet eļļas līmeni ar mērstieni.

Ja eļļas līmenis ir zem atzīmes ADD (pieliet), pielejiet eļļu, līdz eļļas līmenis sasniedz atzīmi FULL (pilns). Iedarbiniet dzinēju un, pirms turpiniet darbu, pārbaudiet vai ir piemērots spiediens.

Ja eļļas līmenis ir starp atzīmēm ADD un FULL, **neiedarbiniet šo dzinēju.** Sazinieties ar autorizētu Briggs & Stratton pārstāvi, lai novērstu eļļas spiediena problēmas.

Degvielas rekomendācijas

Degvielai jāatbilst sekojošām prasībām:

- Tīrs, svaigs, bezsvina benzīns.
- Minimālais oktāna skaitlis 87/87 AKI (91 RON). Par lietošanu lielā augstumā, skatiet zemāk norādīto.
- Pieļaujams benzīns ar līdz 10% spirta (gasohol) vai līdz 15% MTBE (methyl tertiary butyl ether) piemaisījuma.

PIEZĪME: Neizmantojiet nesankcionētu benzīnu, piemēram, E85. Neiemaisiet eļļu benzīnā, kā arī nemodificējiet dzinēju darbam ar alternatīvu degvielu. Tas var sabojāt dzinēja sastāvdaļas un **zaudēt dzinēja garantiju.**

Lai nepieļautu gumijas veidošanos degvielas sistēmā, degvielai piemaisiet degvielas stabilizatoru. Skatīt **Uzglabāšana.** Visa degviela nav vienāda. Ja parādās iedarbināšana vai darbības problēmas, nomainiet degvielas piegādātāju vai nomainiet šķirnes. Šis dzinējs ir sertificēts izmantošanai ar benzīnu. Izplūdes emisiju kontroles sistēma: EM (dzinēja modifikācijas).

Liels augstums

Augstumā virs 5 000 pēdām (1524 metri), benzīns ar minimālo 85 oktāna skaitli/85 AKI (89 RON) ir vēlamāks. Lai saglabātu emisiju atbilstību, nepieciešama regulēšana darbam liela augstuma. Darbs bez šādas regulēšanas izraisīs pazeminātu veiktspēju, palielinātu degvielas patēriņu un palielinātas emisijas. Pēc informācijas par regulēšanu darbam lielā augstumā, griezieties pie autorizēta Briggs & Stratton pārstāvja.

Dzinēja darbība augstumā zem 2 500 pēdām (762 metri) ar liela augstuma komplektu nav ieteicama.

Kā pieliet degvielu - Attēlu 3



BRĪDINĀJUMS



Degviela un tā garaiņi ir ārkārtīgi viegli uzliesmojoši un sprādzienbīstami.



Uguns vai sprādziens var izraisīt smagus apdegumus vai nāvi.

Uzpildot degvielu

- Izslēdziet dzinēju un ļaujiet dzinējam vismaz 2 minūtes atdzist pirms degvielas tvertnes vāciņa noņemšanas.
- Uzpildiet degvielas tvertni ārpus telpām vai vietā ar labu ventilāciju.
- Nepārpildiet degvielas tvertni. Lai būtu iespējama degvielas izplešanās, nepiepildiet virs degvielas tvertnes kakliņa apakšdaļas.
- Uzglabājiet degvielu atstatos no dzirkstelēm, atklātām liesmām, degļiem, karstuma un citiem aizdegšanās avotiem.
- Bieži pārbaudiet, vai degvielas caurulēm, tvertnei, vāciņiem un sastiprinājumiem nav plaisas vai sūces. Nepieciešamības gadījumā nomainiet.
- Ja degviela izlaistās, pirms dzinēja iedarbināšanas pagaidiet, līdz tā izgaro.

1. Notīriet degvielas tvertnes vāciņa vietu no netīrumiem un gružiem. Noņemiet degvielas tvertnes vāciņu (A) (Attēlu 3).
2. Uzpildiet degvielas tvertni (B) ar benzīnu. Lai būtu iespējama benzīna izplešanās, nepiepildiet virs degvielas tvertnes kakliņa apakšdaļas (C).
3. Uzlieciet atpakaļ degvielas tvertnes vāciņu.

Kā iedarbināt dzinēju - Attēlu 4




BRĪDINĀJUMS




Strauja startera auklas ieraušana atpakaļ (atsitiens) var paraut plaukstu un roku uz dzinēja pusi ātrāk nekā jūs varēsiet palaist to vaļā. Tas var izraisīt kaulu lūzumus, plīsumus, sasitumus vai sastiepumus.

- Iedarbinot dzinēju, lēnām velciet startera auklu līdz sajūtat pretestību, tad paraujiet strauji, lai izvairītos no atsitienu.

BRĪDINĀJUMS

Degviela un tā garaiņi ir ārkārtīgi viegli uzliesmojoši un sprādzienbīstami.
Uguns vai sprādziens var izraisīt smagus apdegumus vai nāvi.

Iedarbinot dzinēju




- Pārliedzieties, ka aizdedzes svece, klusinātājs, degvielas vāciņš un gaisa atfīrtājs (ja ir aprīkojumā) ir savā vietā un droši nostiprināti.
- Negrieziet dzinēju, ja aizdedzes svece ir izņemta.
- Ja dzinējs pārplūst, uzstādiet gaisa vārstu (ja ir aprīkojumā) stāvoklī OPEN (atvērts)/RUN (darbība), virziet drošeli (ja ir aprīkojumā) uz stāvokli FAST (ātrs) un grieziet, līdz dzinējs sāk darboties.

BRĪDINĀJUMS

Dzinēji izdala tvana gāzi, kas ir indīga gāze bez smaržas un krāsas.
Tvana gāzes ieelpošana var izraisīt nelabumu, samaņas zaudēšanu vai nāvi.

- Iedarbiniet un darbiniet dzinēju ārpus telpām.
- Neiedarbiniet un nedarbiniet dzinēju noslēgtā vietā, pat ja durvis vai logi ir atvērti.

PIEZĪME: Dzinējs no Briggs & Stratton tiek nosūtīts bez eļļas. Pirms dzinēja iedarbināšanas, pārliedzieties, ka jūs esiet ielējis eļļu atbilstoši šīs rokasgrāmatas instrukcijām. Ja jūs iedarbināsiet dzinēju bez eļļas, tas tiks sabojāts bez iespējām izremontēt un uz to garantija neattieksies.

Piezīme: Dažām ierīcēm un aprīkojumam ir distances vadība. Par distances vadības izvietojumu un darbināšanu skatīt aprīkojuma instrukciju.

- Pārbaudiet eļļas līmeni. Skatīt **Kā pārbaudīt/pieliet eļļu** nodaļu.
- Pārliedzieties, ka iekārtas piedziņas vadības elementi, ja ir aprīkojumā, ir atvienoti.
- Pagrieziet degvielas slēgvārstu (A), ja ir aprīkojumā, uz stāvokli on (atvērts) (Attēlu 4).
- Nospiediet apturēšanas slēdzi (F), ja ir aprīkojumā, uz on (ieslēgts) stāvokli.
- Virziet drošes vadību (B) uz fast (ātrs)  stāvokli. Darbiniet dzinēju fast (ātrs)  stāvoklī.
- Virziet gaisa vārsta vadību (C) uz choke (gaisa vārsts)  stāvokli.

Piezīme: Vēlreiz iedarbinot siltu dzinēju, gaisa vārsta izmantošana parasti nav nepieciešama.

- Iedarbināšana ar rāvienu:** Pagrieziet atslēgas slēdzi (D), ja ir aprīkojumā, uz run (darbība) stāvokli.
- Iedarbināšana ar rāvienu:** Stingri turiet startera auklas rokturi (E). Lēnām velciet startera auklas rokturi, līdz sajūtat pretestību, tad raujiet strauji.


Piezīme: Ja dzinējs neiedarbojas pēc atkārtotiem mēģinājumiem, griezieties pie **BRIGGSandSTRATTON.COM** vai piezvaniet **1-800-233-3723** (ASV).

BRĪDINĀJUMS: Strauja startera auklas ieraušana atpakaļ (atsitiens) var paraut plaukstu un roku uz dzinēja pusi ātrāk nekā jūs varēsiet palaist to vaļā. Tas var izraisīt kaulu lūzumus, plīsumus, sasitumus vai sastiepumus. Iedarbinot dzinēju, lēnām velciet startera auklu līdz sajūtat pretestību, tad raujiet strauji, lai izvairītos no atsitiena.


- Elektriskā iedarbināšana:** Pagrieziet elektriskās iedarbināšanas slēdzi (D) uz on (ieslēgts)/start stāvokli.

Piezīme: Ja dzinējs neiedarbojas pēc atkārtotiem mēģinājumiem, griezieties pie **BRIGGSandSTRATTON.COM** vai piezvaniet **1-800-233-3723** (ASV).


PIEZĪME: Lai pagarinātu startera darbību, veiciet īsus palaišanas ciklus (maksimāli piecas sekundes). Starp palaišanas cikliem nogaidiet vienu minūti.

- Kad dzinējs iesliis, virziet gaisa vārsta vadību (C) uz run (darbība)  stāvokli.

Kā apturēt dzinēju - Attēlu 4

BRĪDINĀJUMS

Degviela un tā garaiņi ir ārkārtīgi viegli uzliesmojoši un sprādzienbīstami.
Uguns vai sprādziens var izraisīt smagus apdegumus vai nāvi.

- Neveiciet karburatora gaisa vārsta aizvēršanu, lai apstādinātu dzinēju.

- Ievirziet drošes vadību (B) stāvoklī slow (lēns) , pagrieziet atslēgas slēdzi (D) uz off (izslēgts) stāvokli (Attēlu 4). Izņemiet atslēgu un turiet to drošā, bērniem nepieejamā, vietā.

- Nospiediet apturēšanas slēdzi (F), ja ir aprīkojumā, stāvoklī off (izslēgts).
- Kad dzinējs apstāties, pagrieziet degvielas slēgvārstu (A), ja ir aprīkojumā, uz noslēgtu stāvokli.


Apkope

Mēs iesakām jums vērsties pie jebkura Briggs & Stratton autorizēta pārstāvja dzinēja un dzinēja daļu visas apkopes un servisa veikšanai.

PIEZĪME: Lai darbība būtu pareiza, visām dzinēja izgatavošanā izmantotajām sastāvdaļām jāatrodas savās vietās.

Emisijas kontrole

Emisiju kontroles iekārtu un sistēmu apkopi, nomaiņu vai remontu var veikt jebkurā ārpusceļa dzinēju remonta iestādē vai individuāli. Tomēr, lai būtu iespējams emisiju kontroles iekārtu "bezmaksas" serviss atbilstoši, šis darbs jāveic pie rūpnīcas autorizēta pārstāvja. Skatīt Emisiju garantija.

BRĪDINĀJUMS

Nejausa dzirksteļošana var izraisīt uguni vai elektriskās strāvas triecienu.
Nejausa iedarbināšana var izraisīt sapīšanos, traumatisku amputāciju vai plēstu brūci.
Uzliesmošanas risks

Pirms regulēšanas vai remonta

- Atvienojiet aizdedzes sveces vadu, un neturiet to aizdedzes sveces tuvumā.
- Atvienojiet akumulatoru baterijas negatīvo spaili (tikai dzinējiem ar elektrisko iedarbināšanu).
- Lietojiet tikai pareizos instrumentus.
- Nepārtaisiet regulatora atsperi, sasaites vai citas daļas, lai palielinātu dzinēja ātrumu.
- Nomaināmām daļām jābūt tādas pašas konstrukcijas un tām jābūt iemontētām tajā pašā vietā kā oriģinālajām daļām. Cita veida daļas var nedarboties tikpat labi, var sabojāt iekārtu un var izraisīt ievainojumu.
- Nesitiet spararatu ar āmuru vai cietu priekšmetu, jo tādā gadījumā spararats var vēlāk saplīst darbības laikā.

Pārbaudot dzirksteli

- Izmantojiet sankcionētu aizdedzes sveces testeru.
- Nepārbaudiet dzirksteli, ja aizdedzes svece ir izņemta.

Apkopes diagramma

Pirmās 5 stundas
<ul style="list-style-type: none"> Nomainiet eļļu
Ik pēc 8 stundām vai katru dienu
<ul style="list-style-type: none"> Pārbaudiet dzinēja eļļas līmeni Notīriet vietu ap klusinātāju un vadības elementiem
Ik pēc 100 stundām vai katru gadu
<ul style="list-style-type: none"> Iztīriet gaisa filtru * Iztīriet iepriekšējo tīrītāju (ja ir aprīkojumā) * Nomainiet dzinēja eļļu un filtru Nomainiet aizdedzes sveci Pārbaudiet klusinātāju un dzirksteļu slāpētāju Pārbaudiet vārsta atstarpi **
Ik pēc 400 stundām vai katru gadu
<ul style="list-style-type: none"> Nomainiet gaisa filtru Nomainiet degvielas filtru Iztīriet gaisa dzesēšanas sistēmu * Iztīriet eļļas dzesētāja ribas *

* Biezāk ir jātīra putekļainos apstākļos vai gaisā esošu grūžu gadījumā.

** Nav jāveic ja nav konstatētas problēmas dzinēja darbībā.

Karburatora regulēšana

Nekad neveiciet karburatora regulēšanu. Karburators ir noregulēts rūpnīcā, lai tas efektīvi darbotos vairumā pastāvošos darba apstākļos. Tomēr, ja ir nepieciešama regulēšana, griezieties pie jebkura Briggs & Stratton autorizēta pārstāvja.

PIEZĪME: Tās iekārtas ražotājs, kurai šis dzinējs ir uzstādīts, norāda lielāko ātrumu, ar kādu šis dzinējs var tikt darbināts. **Nepārsniedziet** šo ātrumu.

Kā nomainīt aizdedzes sveci - Attēlu 5

Pārbaudiet atstarpi (A, Attēlu 5) ar stieples kalibru (B). Ja ir nepieciešams, iestatiet atstarpi. Ievietojiet un pievelciet aizdedzes sveci ar ieteikto momentu. Par atstarpes iestatīšanu vai momentu, skatīt **Specifikāciju** nodaļā.

Piezīme: Dažos reģionos vietējie likumi prasa izmantot aizdedzes sveci ar rezistoru, lai apslāpētu aizdedzes radītos traucējumu signālus. Ja šis dzinējs sākotnēji bija aprīkots ar aizdedzes sveci ar rezistoru, nomainiet izmantojiet tāda paša tipa aizdedzes sveci.

Apskatiet klusinātāju un dzirksteļu slāpētāju - Attēlu 6



BRĪDINĀJUMS



Dzinēju darbināšana rada karstumu. Dzinēja daļas, it īpaši klusinātājs, kļūst ļoti karstas.

Saskares gadījumā var rasties smagi apdegumi.



Ugunsnedroši priekšmeti, piemēram, lapas, zāle, krūmājs utt. var aizdegties.

- Ļaujiet klusinātājam, dzinēja cilindram un ribām atdzist pirms pieskaršanās.
- Notīriet klusinātāja un cilindra tuvumā uzkrājušos gružus.
- Par Kalifornijas Publisko resursu kodeksa 4442. paragrāfa likumpārkāpumu skaitās šī dzinēja izmantošana vai darbināšana uz jebkuras zemes, kas pārklāta ar mežu, krūmiem vai zāli, ja dzinēja izpūtēja sistēma nav aprīkota ar dzirksteļu slāpētāju kā norādīts 4442. paragrāfā un tā netiek uzturēta darba kārtībā. Citos štatos vai federālo zemju jurisdikcijā var būt līdzīgi likumi. Sazinieties ar oriģinālās iekārtas izgatavotāju, mazumtirgotāju, vai tirdzniecības pārstāvi lai saņemtu dzirksteļu slāpētāju tai izpūtēja sistēmai, kāda uzstādīta uz šī dzinēja.

Notīriet sakrājušos gružus ap klusinātāju un cilindru. Apskatiet vai klusinātājam (A, Attēlu 6) nav plūsumu, rūsas bojājumu vai citādu bojājumu. Noņemiet dzirksteļu slāpētāju (B), ja ir aprīkojumā, un apskatiet vai nav bojājumi, vai pārogļojuma aizsprostojumi. Ja atrasts bojājums, pirms darba uzsākšanas iemontējiet nomaināmās daļas.



BRĪDINĀJUMS: Nomaināmām daļām jābūt tādas pašas konstrukcijas un tām jābūt iemontētām tajā pašā vietā kā oriģinālajām daļām. Cita veida daļas var nedarboties tikpat labi, var sabojāt iekārtu un var izraisīt ievainojumu.

Kā nomainīt eļļu - Attēlu 8 9

Izmantotā eļļa ir bīstami atkritumi, no kuriem atbilstošā veidā jāatbrīvojas. Neizmetiet kopā ar majsaimniecības atkritumiem. Iespējas nodot drošai savākšanai/pārstrādei noskaidrojiet vietējās varas iestādēs, apkopes centrā vai pie pārstāvja.

Izlejiet eļļu

1. Nestrādājošam, bet vēl siltam dzinējam, atvienojiet aizdedzes sveces vadu (A) un turiet to atstatu no aizdedzes sveces (Attēlu 8).
2. Izņemiet eļļas izlaišanas aizbāzni (B, Attēlu 9). Izlejiet eļļu piemērotā tvertnē.
3. Kad eļļa izlaista, ievietojiet un pievelciet eļļas izlaišanas aizbāzni.

Nomainiet eļļas filtru (ja ir aprīkojumā)

Daži modeļi ir aprīkoti ar eļļas filtru. Nomainiet intervāli norādīti **Apkopes** diagrammā.

1. Izlaidiet eļļu no dzinēja. Skatīt **Eļļas izlaišanas** nodaļu.
2. Izņemiet eļļas filtru (C) un pareizi nododiet atkritumos. Skatīt Attēlu 9.
3. Pirms jūs ievietojiet jaunu eļļas filtru, viegli ieeļļojiet eļļas filtra starpliņu ar svaigu tīru eļļu.
4. Iegrieziet eļļas filtru ar roku līdz starpliņa saskaras ar eļļas filtra adapteru, tad pievelciet eļļas filtru 1/2 līdz 3/4 apgrieziena.
5. Pieļieiet eļļu. Skatīt **Eļļas pieliešanas** nodaļu.
6. Iedarbiniet un darbiniet dzinēju. Kad dzinējs sasilis, pārbaudiet vai nav eļļas noplūde.
7. Apturiet dzinēju un pārbaudiet eļļas līmeni. Tam ir jābūt pie piepildījuma indikatora (full indicator) augšas uz mērstieņa (F) (Attēlu 8).

Pielejiet eļļu

- Novietojiet dzinēju horizontāli.
 - Notīriet eļļas uzpildes vietu no jebkādiem gružiem.
 - Skatīt **Specifikāciju** nodaļu, kur uzrādīta eļļas ietilpība.
1. Izņemiet mērstieni (D) un noslaukiet ar tīru drānu (Attēlu 8).
 2. Lēni lejiet eļļu dzinēja eļļas uzpildnē (E). **Neiepildiet par daudz.** Pēc eļļas ieliešanas, pagaidiet vienu minūti un tad pārbaudiet eļļas līmeni.
 3. Ievietojiet un pievelciet mērstieni.
 4. Izņemiet mērstieni un pārbaudiet eļļas līmeni. Tam ir jābūt pie piepildījuma indikatora (full indicator) augšas uz mērstieņa (F).
 5. Ievietojiet un pievelciet mērstieni.

Kā apkopt gaisa filtru - Attēlu 11 12



BRĪDINĀJUMS



Degviela un tā garaigi ir ārkārtīgi viegli uzliesmojoši un sprādzienbīstami.



Uguns vai sprādziens var izraisīt smagus apdegumus vai nāvi.

- Nekad neiedarbiniet vai nedarbiniet dzinēju, kad noņemts gaisa attīrītāja mezgls (ja ir aprīkojumā) vai gaisa filtrs (ja ir aprīkojumā).

PIEZĪME: Filtra tīrīšanai neizmantojiet saspiestu gaisu vai šķīdinātājus. Saspiests gaiss var sabojāt filtru un šķīdinātāji var izšķīdināt filtru.

Parādītas divu tipu gaisa filtru sistēmas. Servisa prasības skatīt **Apkopes diagrammā**.

1. **Modeļi bez degvielas tvertnes:** Attaisiet aizkritņus (A) un noņemiet pārvalku (B). Skatīt Attēlu 11.
2. **Modeļi ar degvielas tvertni:** Noņemiet rokturi (C) un pārvalku (B). Skatīt Attēlu 12.
3. Noņemiet uzgriezni (D) un aizturi (E). Skatīt Attēlu 11 un 12.
4. Noņemiet gaisa filtru (F).
5. Noņemiet iepriekšējo tīrītāju (G), ja ir aprīkojumā, no gaisa filtra.
6. Lai atbrīvotu gružus, viegli padoziet gaisa filtru pret cietu virsmu. Ja gaisa filtrs ļoti netīrs, nomainiet ar jaunu gaisa filtru.
7. Mazgājiet iepriekšējo tīrītāju šķidrā mazgāšanas līdzeklī un ūdenī. Tad ļaujiet tam gaisā pilnīgi izžūt. **Neļļojiet** iepriekšējo tīrītāju.
8. Piestipriniet sausu iepriekšējo tīrītāju pie gaisa filtra.
9. Ievietojiet gaisa filtru nostipriniet ar aizturi un uzgriezni.
10. Uzlieciet un nostipriniet pārvalku.

Kā nomainīt degvielas filtru - Attēlu 7



BRĪDINĀJUMS



Degviela un tā garaigi ir ārkārtīgi viegli uzliesmojoši un sprādzienbīstami.



Uguns vai sprādziens var izraisīt smagus apdegumus vai nāvi.

- Uzglabājiet degvielu atstatu no dzirkstelēm, atklātām liesmām, degļiem, karstuma un citiem aizdegšanās avotiem.
- Bieži pārbaudiet, vai degvielas caurulēm, tvertnei, vāciņiem un stiprinājumiem nav plaisas vai sūces. Nepieciešamības gadījumā nomainiet.
- Pirms degvielas filtra nomainas, iztukšojiet degvielas tvertni vai aizveriet degvielas slēgvārstu.
- Rezerves daļām ir jābūt tādām pašām un tās jāuzstāda tādā pašā stāvoklī kā oriģinālās daļas.
- Ja degviela izlaistās, pirms dzinēja iedarbināšanas pagaidiet, līdz tā izguro.

1. Pirms degvielas filtra nomainas (A, Attēlu 7), ja ir aprīkojumā, iztukšojiet degvielas tvertni vai aizveriet degvielas slēgvārstu. Citādi degviela var izplūst ārā un izraisīt uzliesmojumu vai sprādzienu.
2. Ar plakanknaiblēm saspiediet cilpiņas (B) uz savilcējiem (C), tad nobīdīet savilcējus no degvielas filtra. Groziet un velciet nost degvielas pievadus (D) no degvielas filtra.
3. Pārbaudiet vai degvielas pievadus nav lūzumu vai noplūžu. Nomainiet, ja nepieciešams.
4. Nomainiet degvielas filtru ar oriģinālo iekārtas nomainas filtru.
5. Nostipriniet degvielas pievadus ar savilcējiem kā parādīts.

Piezīme: Ar rūpnīcā piemontētu degvielas tvertni aprīkotām ierīcēm var būt degvielas tvertnes siets (E), skatīt Attēlu 3.

Kā tīrīt gaisa dzesēšanas sistēmu - Attēlu 10



BRĪDINĀJUMS



Dzinēju darbināšana rada karstumu. Dzinēja daļas, it īpaši klusinātājs, kļūst ļoti karstas.



Saskares gadījumā var rasties smagi apdegumi.



Ugunsnedroši priekšmeti, piemēram, lapas, zāle, krūmājs utt. var aizdegties.

- Ļaujiet klusinātājam, dzinēja cilindram un ribām atdzist pirms pieskaršanās.
- Notīriet klusinātāja un cilindra tuvumā uzkrājušos gružus.

PIEZĪME: Neizmantojiet ūdeni lai tīrītu dzinēju. Ūdens var piesārņot degvielas sistēmu. Lai tīrītu dzinēju, lietojiet suku vai sausu drānu.

Šis ir dzinējs ar gaisa dzesēšanu. Netīrumi vai gruži var ierobežot gaisa plūsmu un var izraisīt dzinēja pārkaršanu, kas noved pie sliktas veiktspējas un samazināta dzinēja darbūza.

Ar suku vai sausu drānu noņemiet gružus no pirkstu aizsarga (A). Uzturiet tīras sasaites, atsperes un vadības elementus (B). Uzturiet vietu ap un aiz klusinātāja (C) tīru no jebkādiem uzliesmojošiem gružiem (Attēlu 10). Pārliecinieties, ka eļļas dzesētāja ribas (D) ir tīras no netīrumiem un gružiem.

Uzglabāšana



BRĪDINĀJUMS



Degviela un tā garaiņi ir ārkārtīgi viegli uzliesmojoši un sprādzienbīstami.
Uguns vai sprādziens var izraisīt smagus apdegumus vai nāvi.

Uzglabājot degvielu vai iekārtu ar degvielu tvertnē

- Uzglabājiet atstātus no kurtuvēm, plītim, ūdenssildītājiem vai citām ierīcēm, kurām ir degļi vai citi aizdegšanās avoti, jo tie var izraisīt degvielas izgarojumu uzliesmošanu.

Degvielas sistēma

Degviela var kļūt nostāvējusies, ja tā uzglabāta ilgāk par 30 dienām. Nostāvējusies degviela izraisa skābes un gumijas nosēdumu veidošanos degvielas sistēmā vai uz

svarīgām karburatora daļām. Lai saglabātu degvielu svaigu, lietojiet Briggs & Stratton FRESH START® degvielas stabilizatoru, kas pieejams kā šķidrums piedeva vai kā pilināma koncentrāta kasetne.

Nav nepieciešams iztukšot benzīnu no dzinēja, ja degvielas stabilizators tiek pievienots saskaņā ar instrukcijām. Darbiniet dzinēju 2 minūtes lai stabilizators cirkulētu caur degvielas sistēmu. Tagad dzinēju un degvielu var uzglabāt līdz pat 24 mēnešiem.

Ja benzīnam, kas atrodas dzinējā, nav ticis piemaisīts degvielas stabilizators, benzīns jāizlej piemērotā tvertnē. Darbiniet dzinēju, līdz tas apstājas degvielas izbeigšanās dēļ. Lai saglabātu svaigumu, tiek ieteikta degvielas stabilizatora piemaisīšana uzglabāšanas tvertnē.

Dzinēja eļļa

Kamēr dzinējs ir silts, nomainiet dzinēja eļļu.

Bojājumu novēršana

Nepieciešama palīdzība? Griezieties pie **BRIGGSandSTRATTON.COM** vai piezvaniet **1-800-233-3723**.

Specifikācijas

Dzinēja specifikācijas	
Modelis	290000
Darba tilpums	29,23 ci (479 cm ³)
Cilindra diametrs	2,677 in (68 mm)
Virzuļa gājiens	2,598 in (66 mm)
Eļļas ietilpība	46 - 48 oz (1,36 - 1,42 L)

Dzinēja specifikācijas	
Modelis	300000
Darba tilpums	29,23 ci (479 cm ³)
Cilindra diametrs	2,677 in (68 mm)
Virzuļa gājiens	2,598 in (66 mm)
Eļļas ietilpība	46 - 48 oz (1,36 - 1,42 L)

Noregulēšanas specifikācijas *	
Modelis	290000, 300000
Aizdedzes sveces sprauga	0,030 in (0,76 mm)
Aizdedzes sveces pievilkšanas moments	180 lb-in (20 Nm)
Indukcijas spoles (armature) gaisa sprauga	0,008 - 0,012 in (0,20 - 0,30 mm)
Ieplūdes vārsta atstarpe	0,004 - 0,006 in (0,10 - 0,15 mm)
Izplūdes vārsta atstarpe	0,004 - 0,006 in (0,10 - 0,15 mm)

Dzinēja specifikācijas	
Modelis	350000
Darba tilpums	34,78 ci (570 cm ³)
Cilindra diametrs	2,835 in (72 mm)
Virzuļa gājiens	2,756 in (70 mm)
Eļļas ietilpība	46 - 48 oz (1,36 - 1,42 L)

Dzinēja specifikācijas	
Modelis	380000
Darba tilpums	38,26 ci (627 cm ³)
Cilindra diametrs	2,972 in (75,5 mm)
Virzuļa gājiens	2,756 in (70 mm)
Eļļas ietilpība	46 - 48 oz (1,36 - 1,42 L)

Noregulēšanas specifikācijas *	
Modelis	350000, 380000
Aizdedzes sveces sprauga	0,030 in (0,76 mm)
Aizdedzes sveces pievilkšanas moments	180 lb-in (20 Nm)
Indukcijas spoles (armature) gaisa sprauga	0,008 - 0,012 in (0,20 - 0,30 mm)
Ieplūdes vārsta atstarpe	0,004 - 0,006 in (0,10 - 0,15 mm)
Izplūdes vārsta atstarpe	0,004 - 0,006 in (0,10 - 0,15 mm)

* Dzinēja jauda samazināsies par 3,5% uz katrām 1 000 pēdām (300 metriem) virs jūras līmeņa un par 1% uz katru 10° F (5,6° C) virs 77° F (25° C). Šis dzinējs darbosies apmierinoši pie leņķa līdz 15°. Meklējiet iekārtas operatora rokasgrāmatā droša darba pieļaujamās robežas uz slīpumiem.

Vispārīga pielietojuma apkopes daļas ✓

Apkopes daļa	Daļas numurs
Gaisa filtrs - ar degvielas tvertni	393957
Gaisa filtrs - izņemot modeli 380000	394018
Gaisa filtrs - modelis 380000	692519
Gaisa filtra priekšattīrītājs - ar degvielas tvertni	271794
Gaisa filtra priekšattīrītājs - izņemot modeli 380000	272490
Gaisa filtra priekšattīrītājs - modelis 380000	692520
Eļļa - SAE 30	100028
Eļļas filtrs - 6 cm garumā	492932
Eļļas filtrs - 9 cm garumā	491056

Apkopes daļa	Daļas numurs
Degvielas filtrs - ar degvielas tvertni	808116
Degvielas filtrs - ar degvielas sūkni	691035
Degvielas filtrs - bez degvielas sūkņa	298090
Degvielas piedeva	5041
Rezistora aizdedzes svece	491055
Ilgizturīga platīna aizdedzes svece	5066
Aizdedzes sveces atslēga	19374
Dzirksteles testeris	19368

✓ Mēs iesakām jums griezties pie jebkura autorizēta Briggs & Stratton pārstāvja visu dzinēju un dzinēju daļu apkopes un servisa veikšanai.

IEROBEŽOTA GARANTĪJA

Briggs & Stratton bez maksas salabos vai aizvietos jebkuru dzinēja daļu (as), kurai ir defektīvs materiāls vai apstrāde vai abi faktori. Transporta izdevumi par produktu, kas iesniegts remontam vai nomainībai saskaņā ar šo garantiju, ir jāsedz pircējam. Šī garantija ir spēkā laika periodos un pie nosacījumiem, kas norādīti zemāk. Garantijas apkopes veikšanai, atrodiēt tuvāko autorizēto apkopes pārstāvi mūsu pārstāvju meklēšanas kartē BRIGGSandSTRATTON.com vai piezvaniet 1-800-233-3723 vai atrodiēt tālruni katalogā "Yellow Pages".

Nav citas tiešas garantijas. Netiešas garantijas, ieskaitot tirdzniecībai un piemērotībai īpašiem nolūkiem, ir ierobežotas līdz vienam gadam no pirkšanas vai līdz likumā atļautajam apjomam. Visas citas netiešas garantijas ir izslēgtas. Atbildība par nejausiem vai sekojošiem kaitējumiem ir izslēgta līdz apjomam, kādā izslēgšana ir atļauta likumā. Dažos štatos vai valstīs nav atļauti ierobežojumi netiešas garantijas ilgumam un dažos štatos vai valstīs nav atļauti izņēmumi vai ierobežojumi nejausiem vai sekojošiem kaitējumiem, tādēļ augšminētais ierobežojums un izņēmums var uz jums neattiekties. Šī garantija dod jums noteiktas juridiskas tiesības, un jums var būt arī citas tiesības, kas dažādos štatos un valstīs ir atšķirīgas.

STANDARTA GARANTIJAS NOTEIKUMI * ▲

Zīmola/produkta tips	Patērētāja lietošana	Komerčiāla lietošana
Vanguard™	2 gadi	2 gadi
Extended Life Series™; I/C®; Intek™ I/C®; Intek™ Pro; Professional Series™ ar izturīgu kanālu (Dura-Bore™) čuguna uzmava; 850 Series™ ar izturīgu kanālu (Dura-Bore™) čuguna uzmava; Snow Series MAX™ ar izturīgu kanālu (Dura-Bore™) čuguna uzmava Visi citi Briggs & Stratton dzinēji ir ar Dura-Bore™ čuguna uzmavu (sleeve)	2 gadi	1 gads
Visi citi Briggs & Stratton dzinēji	2 gadi	90 dienas

* Šie ir mūsu standarta garantijas noteikumi, taču laiku pa laikam iespējams papildus garantijas segums, kāds netika noteikts publikācijas laikā. Lai iepazītos ar jūsu dzinējam pašreiz spēkā esošo garantijas noteikumu sarakstu, skatiet Internetā BRIGGSandSTRATTON.COM vai sazinieties ar jūsu autorizēto Briggs & Stratton servisa pārstāvi.

▲ Dzinējus, kurus izmanto kā māsaimniecības rezerves ģeneratorus aptver tikai patērētāja garantija. Šī garantija neattiecas uz to iekārtu dzinējiem, kas tiek izmantoti kā enerģijas avoti darba vietā. **Garantija neattiecas uz dzinējiem, ko izmanto sacīkšu braucienos, komerciālos vai nomas transportlīdzekļos.**

Garantijas periods sākas pirmajā mazumtirdzniecības patērētāja vai komerciāla galalietotāja pirkšanas dienā, un turpinās laika periodā, kas norādīts augšminētajā tabulā. "Patērētāja lietošana" nozīmē mazumtirdzniecības patērētāja personīgu lietošanu māsaimniecībā. "Komerčiāla lietošana" nozīmē visus citus lietojumus, ieskaitot lietojumu komerciāliem, ienākumus radošiem vai nomas nolūkiem. Tikko dzinējs ir ticis lietots komerciāli, tas turpmāk attiecībā uz šo garantiju tiek uzskatīts par komerciālas lietošanas dzinēju.

Nekāda garantijas reģistrācija nav nepieciešama, lai iegūtu Briggs & Stratton produktu garantiju. Saglabājiet savu pirkumu apliecinājošo čeku. Ja jūs neiesniedzat apliecinājumu sākotnējā pirkuma datumam, kad ir nepieciešama garantijas remonts, tad garantijas perioda noteikšanai tiks izmantots produkta ražošanas datums.

Par jūsu garantiju

Briggs & Stratton labprāt veic garantijas remontu un atvainojas par sagādātajām neērtībām. Garantijas remontus var veikt jebkurš autorizēts apkopes pārstāvis. Vairums garantijas remontu tiek veikti parastā kārtā, tomēr dažreiz garantijas apkopes pieprasījumi var būt neatbilstoši.

Ja klients nepiekrīt apkopes pārstāvja lēmumam, tiek veikta izmeklēšana, lai noskaidrotu garantijas piemērojamību. Prasiet, lai apkopes pārstāvis visus saistītos faktus iesniedz izskatīšanai savam izplatītājam vai rūpnīcai. Ja izplatītājs vai rūpnīca nolemj, ka prasība ir pamatota, klientam tiek pilnībā atlīdzināti defektīvie priekšmeti. Lai izvairītos no domstarpībām, kas var rasties starp klientu un pārstāvi, zemāk ir uzskaitīti daži dzinēja darbības traucējumu iemesli, uz kuriem garantija neattiecas.

Normāls nodilums: Dzinējiem, tāpat kā visām mehāniskām ierīcēm, lai tie darbotos labi, nepieciešama periodiska daļu apkope un nomainīšana. Garantija neietver remontu, ja normālā darbībā izbeidzies daļas vai dzinēja darbmūzs. Garantija nebūs spēkā, ja dzinēja bojājums radies nepareizas lietošanas, regulāras apkopes neveikšanas, pie nepareizas transportēšanas, nemākulīgi apejoties, nepareizas uzglabāšanas noliktavā vai arī neatbilstošas uzstādīšanas dēļ. Līdzīgā veidā, garantija nav spēkā, ja noņemts dzinēja sērijas numurs, kā arī ja dzinējs pārtaisīts vai modificēts.

Neatbilstoša apkope: Dzinēja darbmūzs ir atkarīgs no apstākļiem, kādos tas darbojas un kā par to rūpējas. Dažas ierīces, piemēram, kultivatori, sūkņi un rotācijas plaujmašīnas, ļoti bieži tiek izmantotas putekļainos vai netīros apstākļos, kas var radīt iespaidu par priekšlaicīgu nolietojumu. Šāds nolietojums, ja to izraisījuši netīrumi, putekļi, aizdedzes sveces tīrīšanas grants, vai cits abrazīvs materiāls, kas iekļuvis dzinējā neatbilstošas apkopes dēļ, netiek ietverts garantijā.

Šī garantija attiecas tikai uz defektīviem materiāliem, kas saistīti ar dzinēju, un/vai apdares kvalitāti, un nevis uz nomainītu vai atlīdzināšanu iekārtai, kurai dzinējs var būt pierīkots. Tāpat garantija neattiecas uz remontu, kas nepieciešams šādu iemeslu dēļ:

- 1 Problēmas, kuras izraisījušas daļas, kas nav oriģinālas Briggs & Stratton daļas.
- 2 Iekārtas vadība vai ierīces, kas nepieļauj iedarbināšanu, izraisa dzinēja neapmierinošu darbību vai saīsina dzinēja darba mūžu. (Sazinieties ar iekārtas ražotāju.)

- 3 Karburatori ar sūci, aizsērējušas degvielas caurules, salīpuši vārsti vai citi bojājumi, ko izraisījuši piesārņotas vai vecas degvielas izmantošana.
- 4 Daļas, kas ir bojātas vai salūzušas tādēļ, ka dzinējs ticis darbināts ar nepietiekamu vai piesārņotu smērēļu, vai ar nepareizas kategorijas smērēļu (pārbaudiet un papildiniet eļļas līmeni, ja nepieciešams, un nomainiet ieteiktajos intervālos.) OIL GARD nevar apstādināt darbojošos dzinēju. Dzinēja bojājums ir iespējams, ja eļļas līmenis netiek pienācīgi uzturēts.
- 5 Saistītu daļu vai agregātu, piemēram, sajūgu, transmisiju, tālvadību u.tml. remonts vai regulēšana, kuri nav ražoti Briggs & Stratton.
- 6 Daļu bojājums vai nolietojums, ko izraisījuši netīrumi, kas iekļuvuši dzinējā neatbilstošas gaisa filtra apkopes, atkārtotas montāžas vai neoriģināla gaisa filtra elementa vai kasetnes izmantošanas dēļ. Ieteiktajos intervālos notīriet un/vai nomainiet filtru kā norādīts operatora rokasgrāmatā.
- 7 Daļu bojājumi pieļaujamā ātruma pārsniegšanas dēļ vai zāles, grūžu vai netīrumu izraisītas pārkarsēšanas dēļ, kas aizbāž vai aizsprosto dzesēšanas ribas vai spararata vietu, vai bojājumu izraisījuši dzinēja darbināšana noslēgtā vietā bez pietiekamas ventilācijas. Ieteiktajos intervālos notīriet dzinēja grūžus kā norādīts operatora rokasgrāmatā.
- 8 Dzinēja vai iekārtas daļu salūšana dēļ pārmērīgas vibrācijas, ko izraisījuši dzinēja vaiļģa montēšana, vaiļģi griezēja asmeņi, nesabalansēti asmeņi vai vaiļģi vai nesabalansēti lāpstīgrīteņi, neatbilstoša iekārtas piestiprināšana dzinēja klokvārpstai, pieļaujamā ātruma pārsniegšana vai cita nepareiza ekspluatācija.
- 9 Saliekta vai salūzusi klokvārpsta, ko izraisījis sitiens ar griezēja asmeni pa cietu objektu rotācijas zāles plaujmašīnai, vai pārmērīgs ķīļsiksna nospriegojums.
- 10 Dzinēja kārtējā pielāgošana vai noregulēšana.
- 11 Dzinēja vai dzinēja sastāvdaļas bojājums, t.i., degkambars, vārstu, vārstu ligzdu, vārstu vadīklas bojājums vai sadedzis startera motora tinums, ko izraisījuši citas degvielas, piemēram, sašķidrīnātas gāzes, dabasgāzes, pārveidota benzīna u.tml. lietošana.

Garantijas apkope iespējama tikai caur Briggs & Stratton korporācijas autorizētiem apkopes pārstāvjiem. Atrodiēt tuvāko autorizēto apkopes pārstāvi mūsu pārstāvju meklēšanas kartē BRIGGSandSTRATTON.com vai piezvaniet 1-800-233-3723 vai atrodiēt tālruni "Yellow Pages".

Informacje ogólne

Niniejsza instrukcja zawiera informacje dotyczące bezpieczeństwa mające na celu uświadomienie użytkownikowi zagrożeń i niebezpieczeństw związanych z silnikami oraz sposobu ich uniknięcia. Zawiera również instrukcje właściwego użytkowania i troski o silnik. Ponieważ firma Briggs & Stratton Corporation nie koniecznie wie, jakie urządzenie będzie napędzane niniejszym silnikiem, ważne jest przeczytanie i zrozumienie niniejszej instrukcji oraz instrukcji wyposażenia napędzanego niniejszym silnikiem. **Zachowaj oryginalną instrukcję do wykorzystania w przyszłości.**

W razie zapotrzebowania na części zamienne lub pomoc techniczną zapisz poniżej model, typ oraz kod silnika wraz z datą zakupu. Numery te umieszczone są na silniku (patrz **Właściwości i elementy sterownicze** strona).

Data zakupu: _____
DD/MM/RRRR

Model silnika: _____
Model: _____ Typ: _____ Kod: _____

Informacja dotycząca mocy znamionowej silnika

Etykiety dotyczące całkowitej mocy znamionowej dla poszczególnych modeli silników benzynowych spełniają lub przekraczają wymagania normy J1940 SAE (Society of Automotive Engineers - Stowarzyszenie Inżynierów Motoryzacji), a parametry znamionowe zostały wyznaczone i skorygowane zgodnie z normą SAE J1995 (wersja poprawiona 2002-05). Wartości momentu obrotowego wyznaczone przy 3060 obr/min; wartości mocy wyznaczone przy 3600 obr/min. Rzeczywista całkowita moc silnika może być niższa i mają na nią, między innymi, wpływ warunki otoczenia oraz zmienność charakterystyki między poszczególnymi egzemplarzami silników. Uwzględniając zarówno szeroką paletę produktów, w których stosowane są silniki, oraz wielość problemów dotyczących ochrony środowiska związanych z obsługą tych produktów, silnik benzynowy może nie osiągać maksymalnej mocy w przypadku zastosowania w danym urządzeniu (rzeczywista moc "na obiekcie" lub moc netto). Różnica wynika z różnych czynników, w tym, między innymi, wyposażenia (filtry powietrza, wydech, zasilanie, chłodzenie, gaźnik, pompa paliwa itp.), ograniczeń zastosowania, warunków otoczenia (temperatura, wilgotność, pułap pracy) oraz zmienności charakterystyki między poszczególnymi egzemplarzami silników. Ze względu na ograniczenia produkcyjne i związane z wydajnością, Briggs & Stratton może zastąpić silnik tej serii silnikiem wyższej mocy.

Bezpieczeństwo operatora

SYMBOLE BEZPIECZEŃSTWA I STEROWANIA



Pożar



Części ruchome



Olej



Opary toksyczne



Wolne



Szybkie



Zatrzymać



Eksplzja



Porażenie prądem



Paliwo



Przepustnica ssania



Włączanie Wyłączanie



Odcinanie paliwa



Odbicie



Stosować ochronę oczu



Niebezpieczne chemikalia




Przeczytaj instrukcję



Gorąca powierzchnia



Odmrożenie

Symbol ostrzeżenia  stosowany jest do wskazania informacji dotyczących zagrożeń bezpieczeństwa, które mogą prowadzić do uszkodzenia ciała. Słowo ostrzegawcze (NIEBEZPIECZEŃSTWO, OSTRZEŻENIE lub PRZESTROGA) stosowane jest razem z symbolem ostrzegawczym w celu wskazania prawdopodobnej i potencjalnej możliwości uszkodzenia ciała. Dodatkowo symbol zagrożenia może być stosowany do wskazania rodzaju zagrożenia.



Słowo **NIEBEZPIECZEŃSTWO** wskazuje na niebezpieczeństwo, które w razie jego nieuniknięcia, może doprowadzić do śmierci lub poważnego urazu ciała.



Słowo **OSTRZEŻENIE** wskazuje na niebezpieczeństwo, które w razie jego nieuniknięcia, może doprowadzić do śmierci lub poważnego urazu ciała.



PRZESTROGA wskazuje na niebezpieczeństwo, które w razie jego nieuniknięcia, może doprowadzić do drobnego lub średniego urazu ciała. **UWAGA** wskazuje sytuację, która może doprowadzić do uszkodzenia produktu.



OSTRZEŻENIE

Niektóre składniki tego produktu i związane z nim akcesoria zawierają substancje chemiczne, które na podstawie informacji dostępnych w stanie Kalifornia mogą powodować raka, wady wrodzone i inne zaburzenia w czynnościach reprodukcyjnych.



OSTRZEŻENIE

Na podstawie informacji dostępnych w stanie Kalifornia spaliny powstałe wskutek rozkładu tego produktu mogą zawierać substancje chemiczne powodujące raka, wady wrodzone lub inne zaburzenia w czynnościach reprodukcyjnych.



OSTRZEŻENIE

Briggs & Stratton nie zatwierdza lub nie dopuszcza zastosowania tego silnika w trójkołowych pojazdach terenowych (All Terrain Vehicles - ATV), motocyklach, pojazdach do zabawy/rekreacyjnych/, gokartach, pojazdach latających lub pojazdach przeznaczonych do stosowania w wyścigach. Takie zastosowanie tych silników może prowadzić do uszkodzenia mienia, poważnych urazów (w tym paraliżu) lub nawet śmierci.

UWAGA: Niniejszy silnik wysyłany jest z Briggs & Stratton bez oleju. Przed uruchomieniem silnika należy pamiętać o dodaniu oleju, zgodnie z opisem zawartym w niniejszej instrukcji. W przypadku uruchomienia silnika bez oleju, silnik zostanie uszkodzony w sposób uniemożliwiający naprawę i nie będzie objęty gwarancją.



OSTRZEŻENIE



Paliwo i jego opary stanowią duże zagrożenie ze względu na ich łatwopalność i wybuchowość.



Pożar lub wybuch mogą przyczynić się do poważnych poparzeń lub doprowadzić do śmierci.

Podczas uzupełniania paliwa

- Wyłączyć silnik i pozwolić mu ochłodzić się przez co najmniej 2 minuty, zanim zostanie zdjęty korek wlewu paliwa.
- Napełniać zbiornik paliwa na powietrzu lub w dobrze wentylowanym pomieszczeniu.
- Nie przepelniać zbiornika paliwa. W celu umożliwienia rozszerzania benzyny nie napełniać powyżej dołu szyjki wlewu do zbiornika.
- Paliwo należy przechowywać z dala od iskier, otwartych płomieni, lampek kontrolnych, ciepła i innych źródeł zapłonu.
- Sprawdzić przewody paliwa, zbiornik, korek wlewu i osprzęt pod kątem pęknięć lub przecieków. Jeżeli zajdzie potrzeba, wymienić.
- W przypadku rozlania paliwa należy odczekać z uruchomieniem silnika aż do jego wyparowania.

Podczas rozruchu silnika

- Upewnić się, czy świeca zapłonowa, tłumik, korek wlewu paliwa i filtr powietrza (jeśli jest na wyposażeniu) znajdują się we właściwym miejscu i czy są dobrze przymocowane.
- Nie obracać wałem korbowym silnika, kiedy świeca zapłonowa jest wykręcona.
- W przypadku zalania silnika należy ustawić przepustnicę ssania (jeżeli jest na wyposażeniu) w pozycji OTWARTEJ/pracy, przepustnicę (jeżeli jest na wyposażeniu) w pozycji SZYBKIEJ pracy i obracać wałem korbowym, aż silnik zacznie pracować.

Podczas pracy urządzenia

- Silnika lub urządzenia nie należy przechylać pod kątem, gdyż może to spowodować rozlanie paliwa.
- Nie włączać ssania dla zatrzymania silnika.
- Nigdy nie uruchamiać lub nie pracować silnikiem z wymontowanym filtrem powietrza (jeśli jest na wyposażeniu) lub wyjętym wkładem filtra (jeśli jest na wyposażeniu).

Podczas wymiany oleju

- Jeżeli olej spuszczaany jest przez wlew oleju, zbiornik paliwa musi być pusty lub może dojść do wycieku paliwa, który może spowodować pożar lub wybuch.

Podczas transportu urządzenia

- Transportować z PUSTYM zbiornikiem paliwa lub z ZAMKNIĘTYM zaworem odcinającym paliwo.

W przypadku magazynowania paliwa lub urządzeń z paliwem w zbiorniku

- Przechowywać z dala od pieców, grzejników wody lub innych urządzeń z lampkami kontrolnymi lub innych źródeł zapłonu, ponieważ mogą one spowodować zapalenie oparów paliwa.



OSTRZEŻENIE



Rozruchowi silnika towarzyszy iskrzenie.



Iskrzenie może spowodować zapalenie znajdujących się w pobliżu łatwopalnych gazów.

Może to być przyczyną wybuchu i pożaru.

- Jeżeli na terenie nastąpi wyciek gazu ziemnego lub innego gazu płynnego, nie należy uruchamiać silnika.
- Nie stosować płynów typu "samostart" w aerozolu, ponieważ ich opary są łatwopalne.



OSTRZEŻENIE



Silniki wydzielają tlenek węgla, trujący gaz bez smaku i zapachu.

Wdychanie tlenku węgla może być przyczyną nudności, zasłabnięcia lub śmierci.

- Uruchomić silnik i pracować silnikiem na zewnątrz pomieszczeń.
- Silnika nie należy uruchamiać lub eksploatować w zamkniętych pomieszczeniach, nawet przy otwartych drzwiach i oknach.



OSTRZEŻENIE



Gwałtowne wciąganie linki rozrusznika (odbicie) bardzo mocno szarpnie rękę w kierunku silnika.

W następstwie może dojść do złamania, pęknięcia kości, powstania siniaków lub nadciągnięcia mięśnia albo ścięgna.

- W celu uruchomienia silnika ciągnąć powoli uchwyt rozrusznika ręcznego do wycucia oporu, a następnie pociągnąć gwałtownie, aby uniknąć odbicia.
- Przed rozruchem silnika rozłączyć urządzenia zewnętrzne/obciążenie silnika.
- Części składowe urządzenia takie jak ostrza, wirniki, koła pasowe, koła łańcuchowe, itd. należy zamocować w sposób bezpieczny.



OSTRZEŻENIE



Ręce, stopy, włosy lub dodatki do ubrań mogą zostać wciągnięte lub zaplątać się w wirujące części.

Wskutek tego może dojść do odcięcia kończyny lub okaleczenia.

- Urządzenie należy obsługiwać z osłonami znajdującymi się we właściwych miejscach.
- Ręce i nogi należy trzymać z dala od części obracających się.
- Długie włosy należy związać, a biżuterię zdjąć.
- Nie należy nosić luźnej odzieży, zwisających sznurków ściągających ubranie lub przedmiotów, które mogą dostać się do części wirujących.



OSTRZEŻENIE



Pracujący silnik wydziela ciepło. Niektóre części silnika, w szczególności tłumik, stają się bardzo gorące.



Przy kontakcie z nimi mogą powstać poważne oparzenia.

Łatwopalne pozostałości w postaci liści, trawy, brudu, itd. mogą się łatwo zapalić.

- Przed dotknięciem tłumika, cylindra silnika i żeberek odczekać aż do ich schłodzenia.
- Usunąć zgromadzony łatwopalny brud z okolic tłumika i cylindra.
- Naruszeniem kodeksu Zasobów Publicznych stanu Kalifornia, rozdział 4442, jest używanie lub obsługa silnika na terenie leśnym, pokrytym krzewami lub trawą, chyba że układ wydechowy wyposażony jest w gasik iskier, zgodnie z definicją podaną w rozdziale 4442 oraz utrzymywany w stanie sprawnym. Inne stany lub jurysdykcje federalne mogą mieć podobne przepisy. Skontaktuj się z producentem wyposażenia oryginalnego, sprzedawcą detalicznym lub hurtowym, aby otrzymać gasik iskier zaprojektowany dla układu wydechowego zainstalowanego w tym silniku.



OSTRZEŻENIE



Nieumyślne iskrzenie może doprowadzić do pożaru lub porażenia elektrycznego.



Nieumyślny rozruch może doprowadzić do zaplątania, odcięcia kończyny lub okaleczenia.

Zagrożenie pożarowe



Przed dokonywaniem regulacji lub napraw

- Odłączyć przewód świecy zapłonowej i odsunąć go od świecy.
- Rozłączyć akumulator przy zacisku ujemnym (tylko w przypadku silników z rozrusznikiem elektrycznym).
- Stosować należy jedynie właściwe narzędzia.
- Nie wolno manipulować sprężynami, cięgnami lub innymi częściami regulatora obrotów w celu zwiększenia prędkości obrotowej silnika.
- Części zamienne muszą być takiej samej konstrukcji i muszą zostać zamontowane w takim samym położeniu, jak części oryginalne. Inne części mogą nie działać tak dobrze, mogą spowodować uszkodzenie silnika i mogą prowadzić do urazu.
- Nie wolno uderzać w koło zamachowe młotkiem lub innymi twardymi przedmiotami, ponieważ koło może później rozpaść się w czasie pracy silnika.

Podczas sprawdzania iskry

- Należy użyć właściwego testera świec.
- Nie należy sprawdzać iskry na wykręconej świecy zapłonowej.

Funkcje i elementy sterowania

Porównaj ilustrację **1** z silnikiem w celu zapoznania się z położeniem różnych funkcji oraz elementów sterowania.

- A. Identyfikacja silnika
Model Typ Kod
- B. Świeca zapłonowa
- C. Filtr powietrza (bez zbiornika paliwa)
- D. Filtr powietrza (ze zbiornikiem paliwa)
- E. Prętowy wskaźnik poziomu oleju
- F. Wlew oleju
- G. Filtr oleju (opcjonalna)
- H. Korek spustu oleju
- I. Czujnik ciśnienia oleju
- J. Osłona palców
- K. Rozrusznik elektryczny
- L. Rozrusznik ręczny (opcjonalny)
- M. Gaźnik
- N. Tłumik (opcjonalna)
- O. Pompa paliwowa
- P. Przełącznik rozrusznika *
- Q. Sterowanie przepustnicą *
- R. Sterowanie przepustnicą ssania *
- S. Filtr paliwa (opcjonalny)
- T. Zbiornik paliwa (opcjonalny)
- U. Zawór odcinający paliwa (opcjonalny) *
- V. Przełącznik stop (opcjonalny) *
- W. Chłodnica oleju (opcjonalna)

* Niektóre silniki i wyposażenie mają zdalne sterowanie. Położenie i sposób obsługi elementów zdalnego sterowania, patrz instrukcja wyposażenia.

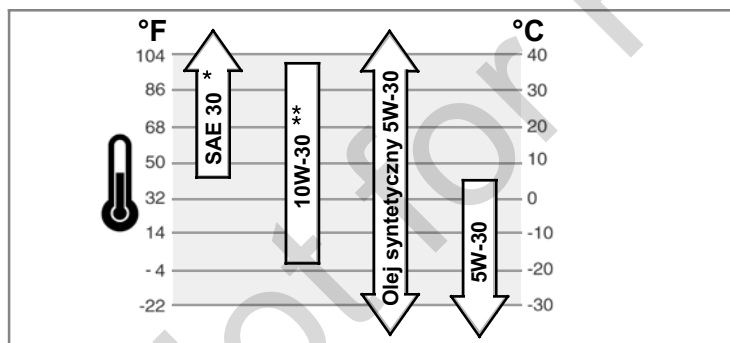
Użytkowanie

Pojemność miski olejowej (patrz rozdział **Dane techniczne**)

Zalecenia dotyczące oleju

W celu uzyskania najlepszych osiągnięć zalecamy korzystanie z certyfikowanego gwarancyjnie oleju Briggs & Stratton. Dopuszczalne są pozostałe oleje wysokiej jakości olej z dodatkiem detergentu, jeżeli noszą oznaczenie "For Service SF, SG, SH, SJ" lub wyższe. Nie należy stosować specjalnych dodatków.

Odpowiednią lepkość oleju w silniku określa temperatura otoczenia. Skorzystać z wykresu, aby dobrać najlepszą lepkość oleju dla zakresu temperatur otoczenia.



* Jeśli olej SAE 30 zostanie użyty w temperaturze poniżej 4°C, wystąpią trudności z uruchomieniem silnika.

** Zastosowanie oleju 10W-30 w temperaturach wyższych niż 27°C może spowodować wyższe niż normalne zużycie oleju. Należy częściej sprawdzać poziom oleju.

Sprawdzenie poziomu/dodawanie oleju - Rysunek 2

Przed dodaniem lub sprawdzeniem poziomu oleju

- Ustawić silnik poziomo.
- Oczyszczyć z wszelkich zanieczyszczeń obszar wlewu oleju.
- 1. Wyjąć miarkę poziomu (A) i wytrzeć czystą szmatką (Rysunek 2).
- 2. Całkowicie włożyć miarkę poziomu oleju.
- 3. Wyjąć ponownie miarkę poziomu oleju i sprawdzić poziom oleju. Powinien on znajdować się na górnej części znaku całkowitego napełnienia (B) na miarce poziomu.
- 4. Jeżeli jest niski, dodać oleju, dolewając go powoli do wlewu oleju (C). **Nie przepelniać.** Po nalaniu oleju odczekać jedną minutę i sprawdzić poziom oleju.
- 5. Całkowicie włożyć miarkę poziomu oleju.

Ciśnienie oleju

Jeżeli ciśnienie oleju jest zbyt niskie przełącznik ciśnieniowy (jeżeli jest na wyposażeniu) albo wyłącz silnik albo uruchomi urządzenie ostrzegawcze. Jeżeli to nastąpi, wyłącz silnik i sprawdź poziom oleju za pomocą miarki poziomu.

Jeżeli poziom oleju jest poniżej znaku ADD (Dodaj), dolewać oleju do osiągnięcia poziomu znaku FULL (Pełny). Uruchomić silnik i przed kontynuowaniem pracy sprawdzić, czy ciśnienie oleju jest prawidłowe.

Jeżeli poziom oleju znajduje się między znakami ADD (Dodaj) i FULL (Pełny), **nie uruchamiać** silnika. Skontaktować się z autoryzowanym serwisem Briggs & Stratton w celu usunięcia problemu z ciśnieniem oleju.

Zalecenia dotyczące paliwa

Paliwo musi spełniać następujące wymagania:

- Czysta, świeża benzyna bezołowiowa.
- Minimalna liczba oktanowa 87/87 AKI (91 RON). W przypadku pracy na wysokim pułapie, patrz poniżej.
- Dopuszczalne jest stosowanie benzyny o zawartości do 10% etanolu (gazohol) lub do 15% MTBE (eter metylowo-tert-butylowy).

UWAGA: Nie wolno stosować niedopuszczonych benzyn takich jak E85. Nie wolno mieszać oleju napędowego z benzyną lub modyfikować układu paliwowego silnika lub gaźnika w celu dostosowania do pracy na paliwach alternatywnych. Spowoduje to uszkodzenie elementów silnika i **utrata gwarancji na silnik.**

W celu ochrony układu paliwowego przed tworzeniem się żywic, należy wymieszać paliwo ze stabilizatorem paliwa. Patrz **Przechowywanie**. Każde paliwo jest inne. W przypadku wystąpienia problemów z uruchamianiem lub wydajnością w przypadku zastosowania innego paliwa w silniku, zmienić dostawcę lub gatunek stosowanego paliwa. Silnik przystosowany jest do zasilania benzyną. System ograniczenia zanieczyszczeń w spalinach dla silnika, to EM (modyfikacje silnika).

Zastosowanie na dużej wysokości

Na pułapach powyżej 1524 metry dopuszczalna jest benzyna o minimalnej liczbie oktanowej 85 /85 AKI (89 RON). Aby emisja zanieczyszczeń pozostała zgodna z wymaganiami, wymagana jest regulacja do wysokiego pułapu pracy. Praca bez takiej regulacji spowoduje obniżenie parametrów, zwiększone zużycie paliwa oraz zwiększoną emisję spalin. Informacje dotyczące regulacji do wysokiego pułapu pracy można znaleźć u każdego autoryzowanego sprzedawcy Briggs & Stratton.

Praca silnikiem na pułapach poniżej 762 metry, z zamontowanym zestawem do pracy na wysokości, nie jest zalecana.

Dodawanie paliwa - Rysunek 3



OSTRZEŻENIE



Paliwo i jego opary stanowią duże zagrożenie ze względu na ich łatwopalność i wybuchowość.



Pożar lub wybuch mogą przyczynić się do poważnych poparzeń lub doprowadzić do śmierci.

Podczas uzupełniania paliwa

- Wyłączyć silnik i pozwolić mu ochłodzić się przez co najmniej 2 minuty, zanim zostanie zdjęty korek wlewu paliwa.
- Napełniać zbiornik paliwa na powietrzu lub w dobrze wentylowanym pomieszczeniu.
- Nie przepelniać zbiornika paliwa. W celu umożliwienia rozszerzania benzyny nie napełniać powyżej dołu szyjki wlewu do zbiornika.
- Paliwo należy przechowywać z dala od iskier, otwartych płomieni, lampek kontrolnych, ciepła i innych źródeł zapłonu.
- Sprawdzić przewody paliwa, zbiornik, korek wlewu i osprzęt pod kątem pęknięć lub przecieków. Jeżeli zajdzie potrzeba, wymienić.
- W przypadku rozlania paliwa należy odczekać z uruchomieniem silnika aż do jego wyparowania.

1. Oczyszczyć obszar wokół korka wlewu paliwa z zabrudzeń i zanieczyszczeń. Odkręcić korek wlewu paliwa (A, Rysunek 3).
2. Napełnić zbiornik paliwa (B) benzyną. W celu umożliwienia rozszerzania benzyny nie napełniać powyżej dołu szyjki wlewu do zbiornika (C).
3. Ponownie założyć korek wlewu paliwa.

Uruchamianie silnika - Rysunek 4



OSTRZEŻENIE



Gwałtowne wciąganie linki rozrusznika (odbicie) bardzo mocno szarpnie rękę w kierunku silnika.

W następstwie może dojść do złamania, pęknięcia kości, powstania siniaków lub naciągnięcia mięśnia albo ścięgna.

- W celu uruchomienia silnika ciągnąć powoli uchwyt rozrusznika ręcznego do wycucia oporu, a następnie pociągnąć gwałtownie, aby uniknąć odbicia.



OSTRZEŻENIE



Paliwo i jego opary stanowią duże zagrożenie ze względu na ich łatwopalność i wybuchowość.

Pożar lub wybuch mogą przyczynić się do poważnych poparzeń lub doprowadzić do śmierci.

Podczas rozruchu silnika

- Upewnić się, czy świeca zapłonowa, tłumik, korek wlewu paliwa i filtr powietrza (jeśli jest na wyposażeniu) znajdują się we właściwym miejscu i czy są dobrze przymocowane.
- Nie obracać wałem korbowym silnika, kiedy świeca zapłonowa jest wykręcona.
- W przypadku zalania silnika należy ustawić przepustnicę ssania (jeżeli jest na wyposażeniu) w pozycji OTWARTEJ/pracy, przepustnicę (jeżeli jest na wyposażeniu) w pozycji SZYBKIEJ pracy i obracać wałem korbowym, aż silnik zacznie pracować.



OSTRZEŻENIE



Silniki wydzielają tlenek węgla, trujący gaz bez smaku i zapachu.

Wdychanie tlenku węgla może być przyczyną nudności, zasłabnięcia lub śmierci.

- Uruchomić silnik i pracować silnikiem na zewnątrz pomieszczeń.
- Silnika nie należy uruchamiać lub eksploatować w zamkniętych pomieszczeniach, nawet przy otwartych drzwiach i oknach.

UWAGA: Niniejszy silnik wysyłany jest z Briggs & Stratton bez oleju. Przed uruchomieniem silnika należy pamiętać o dodaniu oleju, zgodnie z opisem zawartym w niniejszej instrukcji. W przypadku uruchomienia silnika bez oleju, silnik zostanie uszkodzony w sposób uniemożliwiający naprawę i nie będzie objęty gwarancją.

Uwaga: Niektóre silniki i wyposażenie mają zdalne sterowanie. Położenie i sposób obsługi elementów zdalnego sterowania, patrz instrukcja wyposażenia.

1. Sprawdzić poziom oleju w silniku. Patrz rozdział **Sprawdzenie poziomu/dodawanie oleju**.
2. Upewnić się, czy elementy sterowania napędem, jeżeli są, są odłączone.
3. Obrócić zawór odcinający paliwa (A), jeżeli jest na wyposażeniu, do położenia otwarcia (Rysunek 4).
4. Wcisnąć wyłącznik (F), jeżeli jest na wyposażeniu, do położenia włączenia.
5. Przesunąć dźwignię sterowania przepustnicą (B), do położenia szybkiej pracy .
Pracować silnikiem z dźwignią sterowania przepustnicą w położeniu szybkiej pracy .
6. Przesunąć dźwignię przepustnicy ssania (C) do położenia ssanie .

Uwaga: Podczas ponownego uruchamiania ciepłego silnika, stosowanie przepustnicy ssania zwykle nie będzie konieczne.

7. **Rozruch ręczny:** Obrócić kluczyk zapłonu (D), jeżeli jest na wyposażeniu, do położenia pracy.
8. **Rozruch ręczny:** Mocno chwycić uchwyt rozrusznika linkowego (E). Ciągnąć powoli uchwyt rozrusznika ręcznego do wycucia oporu, a następnie pociągnąć gwałtownie.

Uwaga: Jeżeli silnik nie uruchomi się po kilku próbach, wejść na stronę **BRIGGSandSTRATTON.COM** lub zadzwonić pod numer **1-800-233-3723** (tylko w USA).



OSTRZEŻENIE:

Gwałtowne zwiniecie linki rozrusznika (odbicie) spowoduje szybsze niż powinieneś pozwolić, przyciągnięcie ręki i ramienia do silnika. Może to spowodować złamania kości, pęknięcia, zranienia lub zwichnięcia. W celu uruchomienia silnika ciągnąć powoli uchwyt rozrusznika ręcznego do wycucia oporu, a następnie pociągnąć gwałtownie, aby uniknąć odbicia.

9. **Rozruch elektryczny:** Obrócić przełącznik rozrusznika (D) do położenia włączony/start.
Uwaga: Jeżeli silnik nie uruchomi się po kilku próbach, wejść na stronę **BRIGGSandSTRATTON.COM** lub zadzwonić pod numer **1-800-233-3723** (tylko w USA).
UWAGA: W celu przedłużenia żywotności rozrusznika, stosować krótkie cykle rozruchu (maksymalnie pięć sekund). Pomiędzy kolejnymi próbami rozruchu odczekać jedną minutę.
10. Po nagraniu się silnika, przesunąć sterowanie przepustnicą ssania (C) do położenia praca .

Wyłączanie silnika - Rysunek 4



OSTRZEŻENIE



Paliwo i jego opary stanowią duże zagrożenie ze względu na ich łatwopalność i wybuchowość.

Pożar lub wybuch mogą przyczynić się do poważnych poparzeń lub doprowadzić do śmierci.

- Nie włączać ssania dla zatrzymania silnika.

1. Przesunąć dźwignię sterowania przepustnicą (B) do położenia wolnej pracy, obrócić kluczyk zapłonu (D) do położenia wyłączenia (Rysunek 4). Wyjąć kluczyk i trzymać w bezpiecznym miejscu, poza zasięgiem dzieci.
2. Wcisnąć wyłącznik (F), jeżeli jest na wyposażeniu, do położenia wyłączenia.
3. Po wyłączeniu silnika zamknąć zawór podcinający paliwa (A), jeżeli znajduje się na wyposażeniu.

Konserwacja

Zalecamy skontaktowanie się z autoryzowanym dealerem Briggs & Stratton w kwestiach konserwacji i napraw silnika i części silnika.

UWAGA: W celu zapewnienia prawidłowego działania silnika wszystkie elementy wykorzystane do jego wytworzenia muszą pozostawać na swoim miejscu.

Kontrola emisji spalin

Konserwacja, wymiana lub naprawa urządzeń i systemów przeznaczonych do kontroli emisji spalin może być wykonywana przez dowolny warsztat naprawy silników lub osobę indywidualną. Jednak, aby uzyskać "bezpłatny" serwis urządzeń kontroli emisji spalin, czynność ta musi być wykonywana przez autoryzowanego sprzedawcę fabrycznego. Patrz Gwarancja emisji.



OSTRZEŻENIE



Nieumyślne iskrzenie może doprowadzić do pożaru lub porażenia elektrycznego.



Nieumyślny rozruch może doprowadzić do zaplątania, odcięcia kończyny lub okaleczenia.



Zagrożenie pożarowe

Przed dokonywaniem regulacji lub napraw

- Odłączyć przewód świecy zapłonowej i odsunąć go od świecy.
- Rozłączyć akumulator przy zacisku ujemnym (tylko w przypadku silników z rozrusznikiem elektrycznym).
- Stosować należy jedynie właściwe narzędzia.
- Nie wolno manipulować sprężynami, cięgnami lub innymi częściami regulatora obrotów w celu zwiększenia prędkości obrotowej silnika.
- Części zamienné muszą być takiej samej konstrukcji i muszą zostać zamontowane w takim samym położeniu, jak części oryginalne. Inne części mogą nie działać tak dobrze, mogą spowodować uszkodzenie silnika i mogą prowadzić do urazu.
- Nie wolno uderzać w koło zamachowe młotkiem lub innymi twardymi przedmiotami, ponieważ koło może później rozpaść się w czasie pracy silnika.

Podczas sprawdzania iskry

- Należy użyć właściwego testera świec.
- Nie należy sprawdzać iskry na wykręconej świecy zapłonowej.

Schemat konserwacji

Po pierwszych 5 godzinach pracy

- Wymiana oleju

Po każdych 8 godzinach pracy lub codziennie

- Sprawdzić poziom oleju w silniku.
- Oczyszczyć obszar dookoła tłumika elementów sterowania.

Co każde 100 godzin lub co roku

- Oczyszczyć filtr powietrza *
- Oczyszczyć wkład filtra wstępnego powietrza (jeżeli jest na wyposażeniu) *
- Wymienić olej silnikowy i filtr oleju
- Wymienić świecę zapłonową
- Sprawdzić tłumik i chwytacz iskier
- Sprawdzenie luzów zaworowych **

Co każde 400 godzin lub co roku

- Wymiana wkładu filtra powietrza
- Wymienić filtr paliwa
- Oczyszczenie układu chłodzenia powietrzem *
- Oczyszczyć żeberka chłodnicy oleju *

* W warunkach zapylenia lub zanieczyszczeń występujących w powietrzu, należy czyścić częściej.

** Nie jest wymagane dopóki nie stwierdzono problemów z osiąganymi silnika.

Regulowanie gaźnika

Nie wolno wykonywać regulacji gaźnika. Gaźnik jest fabrycznie ustawiony na optymalne parametry pracy przy większości warunków. Jednak, jeżeli wymagana jest regulacja, skonsultować się w sprawie serwisu z autoryzowanym dealerem Briggs & Stratton.

UWAGA: Producent sprzętu, na którym zainstalowano silnik podaje maksymalną prędkość obrotową, z jaką ma pracować silnik. **Nie wolno przekraczać** tej prędkości obrotowej.

Wymiana świecy zapłonowej - Rysunek 5

Wymieniać świecę zapłonową co roku. Sprawdzić odstęp (A, Rysunek 5) za pomocą szczelinomierza (B). Jeżeli konieczne, ponownie ustawić odstęp elektrod. Zamontować i przykręcić świecę zapłonową zalecanym momentem. Wielkość szczeliny oraz moment, patrz rozdział **Dane techniczne**.

Uwaga: Na niektórych terenach w celu stłumienia sygnałów zapłonu należy użyć świecy z rezystorem. Jeżeli na wyposażeniu była świeca zapłonowa z rezystorem, należy upewnić się, czy wymieniana świeca jest tego samego typu.

Sprawdzić tłumik i chwytacz iskier - Rysunek 6



OSTRZEŻENIE



Pracujący silnik wydziela ciepło. Niektóre części silnika, w szczególności tłumik, stają się bardzo gorące.

Przy kontakcie z nimi mogą powstać poważne oparzenia.



Łatwopalne pozostałości w postaci liści, trawy, brudu, itd. mogą się łatwo zapalić.

- Przed dotknięciem tłumika, cylindra silnika i żeberek odczekać aż do ich schłodzenia.
- Usunąć zgromadzony łatwopalny brud z okolic tłumika i cylindra.
- Naruszeniem Kalifornijskiej ustawy o zasobach publicznych, Rozdział 4442, jest stosowanie lub obsługiwanie silnika na jakimkolwiek terenie leśnym, zarośniętym krzakami lub trawą, o ile układ wydechowy nie jest wyposażony w chwytacz iskier, zgodnie z definicją rozdziału 4442, utrzymywany w stanie zdającym do pracy. Inne stany lub przepisy federalne mogą stawiać takie same wymagania. Skontaktować się z wytwórcą wyposażenia, sprzedawcą lub dealerem, celem uzyskania chwytacza iskier dla zamontowanego na tym silniku układu wydechowego.

Usunąć zanieczyszczenia zgromadzone w obszarze tłumika i cylindra. Skontrolować tłumik (A, Rysunek 6) pod kątem pęknięć, korozji lub innych uszkodzeń. Zdemontować chwytacz iskier (B), jeżeli jest na wyposażeniu, i sprawdzić pod kątem uszkodzeń lub osadzeń sadzy. W przypadku stwierdzenia uszkodzeń, przed uruchomieniem zamontować części zamienne.



OSTRZEŻENIE: Części zamienne muszą być takiej samej konstrukcji i muszą zostać zamontowane w takim samym położeniu, jak części oryginalne. Inne części mogą nie działać tak dobrze, mogą spowodować uszkodzenie silnika i mogą prowadzić do urazu.

Wymiana oleju - Rysunek 8 9

Zużyty olej jest odpadem niebezpiecznym. Utylizować zużyty olej zgodnie z przepisami. Nie wylewać go do odpadków domowych. Informacje odnośnie miejsc utylizacji oleju można uzyskać od władz lokalnych, centrów serwisowych lub u dealera.

Usunąć olej

1. Na ciepłym silniku odłączyć przewód świecy zapłonowej (A) i trzymać go z dala od świecy (Rysunek 8).
2. Silnik wyposażony jest w dolny spust (B, Rysunek 9). Spuścić olej do zatwierdzonego pojemnika.
3. Po spuszczeniu oleju ponownie zamocować i przykręcić korki spustowe.

Wymiana filtra oleju (jeżeli jest na wyposażeniu)

Niektóre modele wyposażone są w filtr oleju. Okresy wymiany, patrz Schemat konserwacji.

1. Spuścić olej z silnika. Patrz rozdział **Usuwanie oleju**.
2. Zdemontować filtr oleju (C) i odpowiednio zutylizować. Patrz Rysunek 9.
3. Przed zamontowaniem nowego filtra oleju, lekko posmarować uszczelnienie filtra oleju świeżym, czystym olejem.
4. Wkręcać filtr oleju ręcznie, dopóki uszczelka nie zetknie się z podstawą filtra, następnie dokręcić filtr oleju o 1/2 do 3/4 obrotu.
5. Dodać oleju. Patrz rozdział **Dodawanie oleju**.
6. Uruchomić silnik i pozostawić włączony. Po rozgrzaniu silnika sprawdzić, czy nie ma przecieków oleju.
7. Wyłączyć silnik i sprawdzić poziom oleju. Powinien on znajdować się na górnej części znaku całkowitego napełnienia (F) na miarce poziomu (Rysunek 8).

Dodawanie oleju

- Ustawić silnik poziomo.
 - Oczyścić z wszelkich zanieczyszczeń obszar wlewu oleju.
 - Pojemność oleju, patrz rozdział **Dane techniczne**.
1. Wyjąć miarkę poziomu (D) i wytrzeć czystą szmatką (Rysunek 8).
 2. Dolewać oleju powoli do wlewu oleju silnika (E). **Nie przepelniać**. Po nalaniu oleju odczekać jedną minutę i sprawdzić poziom oleju.

3. Założyć ponownie i docisnąć miarkę poziomu oleju.
4. Wyjąć ponownie miarkę poziomu oleju i sprawdzić poziom oleju. Powinien on znajdować się na górnej części znaku całkowitego napełnienia (F) na miarce poziomu.
5. Założyć ponownie i docisnąć miarkę poziomu oleju.

Serwisowanie filtra powietrza - Rysunek 11 12



OSTRZEŻENIE



Paliwo i jego opary stanowią duże zagrożenie ze względu na ich łatwopalność i wybuchowość.



Pożar lub wybuch mogą przyczynić się do poważnych poparzeń lub doprowadzić do śmierci.

- Nigdy nie uruchamiać lub nie pracować silnikiem z wymontowanym filtrem powietrza (jeśli jest na wyposażeniu) lub wyjętym wkładem filtra (jeśli jest na wyposażeniu).

UWAGA: Nie używać do czyszczenia filtra sprężonego powietrza i rozpuszczalników. Sprężone powietrze może uszkodzić filtr; a rozpuszczalniki spowodują rozpuszczenie wkładu.

Pokazano dwa systemy filtra powietrza. Wymagania serwisowe, patrz rozdział **Schemat konserwacji**.

1. **Modele bez zbiornika paliwa:** Otworzyć zapadki (A) i zdjąć pokrywę (B). Patrz rysunek 11.
2. **Modele ze zbiornikiem paliwa:** Wykręcić pokrętkę (C) i zdjąć pokrywę (B). Patrz rysunek 12.
3. Odkręcić nakrętkę (D) i element mocujący (E). Patrz rysunek 11 i 12.
4. Wyjąć filtr powietrza (K).
5. Wyjąć z filtra powietrza filtr wstępny (G), jeżeli jest na wyposażeniu.
6. Aby poluzować zanieczyszczenia, delikatnie stuknąć filtrem o twarde podłoże. Jeżeli filtr powietrza jest bardzo zabrudzony, wymienić go na nowy.
7. Filtr wstępny wymyć w płynnym środku do mycia i wodzie. Następnie pozostawić go do dokładnego wysuszenia. **Nie** nasączać olejem filtra wstępnego.
8. Zamontować suchy filtr wstępny na filtrze powietrza.
9. Zamontować filtr powietrza i zabezpieczyć elementem ustalającym i nakrętką.
10. Zamontować i zabezpieczyć pokrywę.

Wymiana filtra paliwa - Rysunek 7



OSTRZEŻENIE



Paliwo i jego opary stanowią duże zagrożenie ze względu na ich łatwopalność i wybuchowość.



Pożar lub wybuch mogą przyczynić się do poważnych poparzeń lub doprowadzić do śmierci.

- Paliwo należy przechowywać z dala od iskier, otwartych płomieni, lampek kontrolnych, ciepła i innych źródeł zapłonu.
- Sprawdzić przewody paliwa, zbiornik, korek wlewu i osprzęt pod kątem pęknięć lub przecieków. Jeżeli zajdzie potrzeba, wymienić.
- Przed wymianą filtra paliwa opróżnić zbiornik paliwa lub zamknąć zawór odcinający paliwa
- Części zamienne muszą być takie same i muszą zostać zamontowane w takim samym położeniu jak części oryginalne.
- W przypadku rozlania paliwa należy odczekać z uruchomieniem silnika aż do jego wyparowania.

1. Przed wymianą filtra paliwa (A, Rysunek 7), jeżeli jest na wyposażeniu, opróżnić zbiornik paliwa lub zamknąć zawór odcinający paliwa. W przeciwnym razie może dojść do wycieku paliwa i wystąpienia pożaru lub wybuchu.
2. Za pomocą szczypiec ścisnąć występy (B) na zaciskach (C), a następnie zsunąć zaciski z filtra paliwa. Skręcić i ściągnąć przewody paliwa (D) z filtra paliwa.
3. Sprawdzić przewody paliwa pod kątem pęknięć lub przecieków. Jeżeli zajdzie potrzeba, wymienić.
4. Wymienić filtr paliwa na oryginalny filtr zamienny.
5. Zabezpieczyć przewody paliwowe zaciskami, jak pokazano.

Uwaga: Silnik wyposażony w montowany fabrycznie zbiornik paliwa mogą mieć filtr siatkowy zbiornika paliwa (E), patrz rysunek 3.

Czyszczenie powietrznego układu chłodzenia - Rysunek 10



OSTRZEŻENIE



Pracujący silnik wydziela ciepło. Niektóre części silnika, w szczególności tłumik, stają się bardzo gorące.



Przy kontakcie z nimi mogą powstać poważne oparzenia.

Łatwopalne pozostałości w postaci liści, trawy, brudu, itd. mogą się łatwo zapalić.

- Przed dotknięciem tłumika, cylindra silnika i żeberek odczekać aż do ich schłodzenia.
- Usunąć zgromadzony łatwopalny brud z okolic tłumika i cylindra.

UWAGA: Do czyszczenia silnika nie wolno stosować wody. Woda może zanieczyścić układ paliwowy. Do czyszczenia silnika stosować szczotkę lub suchą szmatkę. Silnik jest chłodzony powietrzem. Brud lub zanieczyszczenia mogą ograniczyć przepływ powietrza i spowodować przegrzanie silnika, powodując pogorszenie osiągnięć oraz zmniejszając jego trwałość.

Do usunięcia zanieczyszczeń z osłony palców użyć szczotki lub suchej szmatki (A). Cięgna, sprężyny i elementy sterujące (B) utrzymywać w czystości. Obszar dookoła i za tłumikiem (C) oczyścić ze wszystkich palnych zanieczyszczeń (Rysunek 10). Upewnić się, czy żeberka chłodnicy oleju (D) są wolne od zabrudzeń i zanieczyszczeń.

Przechowywanie



OSTRZEŻENIE



Paliwo i jego opary stanowią duże zagrożenie ze względu na ich łatwopalność i wybuchowość.



Pożar lub wybuch mogą przyczynić się do poważnych poparzeń lub doprowadzić do śmierci.

W przypadku magazynowania paliwa lub urządzeń z paliwem w zbiorniku

- Przechowywać z dala od pieców, grzejników wody lub innych urządzeń z lampkami kontrolnymi lub innych źródeł zapłonu, ponieważ mogą one spowodować zapalenie oparów paliwa.

Układ paliwowy

Paliwo może ulec zesterzeniu, jeżeli jest przechowywane przez okres ponad 30 dni. Zestarzane paliwo powoduje tworzenie się kwasu i żywic w układzie paliwowym lub na

najważniejszych elementach gaźnika. W celu utrzymania świeżości paliwa, Briggs & Stratton zaleca stosowanie stabilizatora paliwa FRESH START®, dostępnego jako dodatek płynny lub pojemnik z koncentratem.

Nie ma potrzeby spuszczenia paliwa z silnika, jeżeli stabilizator paliwa dodawany jest zgodnie z instrukcją. Pracować silnikiem przez 2 minuty, w celu rozprzodzenia stabilizatora w układzie paliwowym. Silnik wraz z paliwem mogą być teraz przechowywane przez okres do 24 miesięcy.

Przed przechowywaniem, jeżeli do paliwa nie został dodany stabilizator, należy usunąć paliwo silnika do odpowiedniego zbiornika. Następnie należy uruchomić silnik i odczekać, aż zatrzyma się samoczynnie z powodu braku paliwa. Zalecane jest zastosowanie w karnistrze magazynowym stabilizatora paliwa, w celu utrzymania jego świeżości.

Olej silnikowy

Kiedy silnik jest gorący, wymienić olej.

Wykrywanie usterek

Potrzebujesz pomocy? Wejdź na stronę BRIGGSandSTRATTON.COM, www.chabin.pl lub zadzwoń 1-800-233-3723.

Dane techniczne

Dane techniczne silników

Model	290000
Pojemność skokowa	479 cm sześć
Otwór	68 mm
Skok	66 mm
Pojemność miski olejowej	1,36 - 1,42 l

Dane techniczne silników

Model	300000
Pojemność skokowa	479 cm sześć
Otwór	68 mm
Skok	66 mm
Pojemność miski olejowej	1,36 - 1,42 l

Dane regulacyjne*

Model	290000, 300000
Szczelina świecy	0,76 mm
Moment dokręcania świecy zapłonowej	20 Nm
Szczelina powietrzna cewki	0,20 - 0,30 mm
Luz zaworu ssącego	0,10 - 0,15 mm
Luz zaworu wydechowego	0,10 - 0,15 mm

Dane techniczne silników

Model	350000
Pojemność skokowa	570 cm sześć
Otwór	72 mm
Skok	70 mm
Pojemność miski olejowej	1,36 - 1,42 l

Dane techniczne silników

Model	380000
Pojemność skokowa	627 cm sześć
Otwór	75,5 mm
Skok	70 mm
Pojemność miski olejowej	1,36 - 1,42 l

Dane regulacyjne*

Model	350000, 380000
Szczelina świecy	0,76 mm
Moment dokręcania świecy zapłonowej	20 Nm
Szczelina powietrzna cewki	0,20 - 0,30 mm
Luz zaworu ssącego	0,10 - 0,15 mm
Luz zaworu wydechowego	0,10 - 0,15 mm

* Moc silnika spadnie 3,5% na każde 300 metrów powyżej poziomu morza i 1% na każde 5,6° C powyżej 25° C. Silnik będzie pracował zadowalająco przy nachyleniu pod kątem do 15°. Dopuszczalne ograniczenia dla bezpiecznej pracy na pochyłościach zawarte są w instrukcji obsługi wyposażenia.

Typowe części zamienne

Części zamienne	Numer części
Filtr powietrza - modele ze zbiornikiem paliwa	393957
Filtr powietrza - za wyjątkiem modelu 380000	394018
Filtr powietrza - model 380000	692519
Filtr wstępny układu filtra powietrza - modele ze zbiornikiem paliwa	271794
Filtr wstępny układu filtra powietrza - za wyjątkiem modelu 380000	272490
Filtr wstępny układu filtra powietrza - model 380000	692520
Olej - SAE 30	100028
Filtr oleju - długość 6 cm	492932
Filtr oleju - długość 9 cm	491056

Części zamienne	Numer części
Filtr paliwa - modele ze zbiornikiem paliwa	808116
Filtr paliwa - modele z pompą paliwa	691035
Filtr paliwa - modele bez pompy paliwa	298090
Dodatek do paliwa	5041
Świeca zapłonowa o podwyższonej oporności	491055
Platynowa świeca zapłonowa o podwyższonej trwałości	5066
Klucz do świecy zapłonowej	19374
Tester iskry	19368

✓ Zalecamy skontaktowanie się z autoryzowanym dealerem Briggs & Stratton w kwestiach konserwacji i napraw silnika i części silnika.

GWARANCJA OGRANICZONA

Firma Briggs & Stratton naprawi lub wymieni bezpłatnie każdą część lub części silnika, które zostały wykonane wadliwie lub z wadliwego materiału, względnie z obydwu tych przyczyn. Koszty transportu produktów dostarczanych do naprawy lub wymiany w ramach niniejszej Gwarancji ponosi nabywca. Gwarancja ta jest ważna przez wymienione w świadectwie okresy czasu i podlega jego warunkom niżej wymienionym. W celu uzyskania usługi gwarancyjnej należy skontaktować się z najbliższym autoryzowanym dealerem serwisowym zgodnie z mapą autoryzowanych dealerów pod adresem BRIGGSandSTRATTON.com lub www.chabin.pl lub dzwoniąc pod numer w USA 1-800-233-3723, lub zapoznać się z wykazem w części "Złote Strony".

Nie istnieje żadna inna wyraźna gwarancja. Gwarancje domniemane, włącznie ze specjalnymi gwarancjami udzielanymi przez handlowców, są ograniczone do jednego roku od chwili dokonania zakupu lub obowiązują w okresie dopuszczalnym przez prawo; wyklucza się wszelkie gwarancje domniemane. Wyklucza się odpowiedzialność za szkody pośrednie na podstawie jakiegokolwiek gwarancji w takim zakresie, w jakim jest to dopuszczalne przez prawo. W niektórych krajach lub stanach nie zezwala się na ograniczenia, co do długości trwania gwarancji domniemanej, zaś w innych krajach lub stanach nie zezwala się na wykluczenie lub ograniczenie szkód przypadkowych lub pośrednich, tak więc wyżej wymienione ograniczenie lub wykluczenie może Państwa nie dotyczyć. Gwarancja ta zapewnia Państwu określone ustawowe prawa oprócz innych praw obowiązujących w różnych krajach lub stanach.

WARUNKI GWARANCJI STANDARDOWEJ * ▲

Marka/Rodzaj produktu	Zastosowanie konsumenckie	Zastosowanie komercyjne
Vanguard™	2 lata	2 lata
Extended Life Series™; I/C®; Intek™ I/C®; Intek™ Pro; Professional Series™ z tuleją żeliwną Dura-Bore™; 850 Series™ z tuleją żeliwną Dura-Bore™; Snow Series MAX™ z tuleją żeliwną Dura-Bore™ Wszystkie pozostałe silniki Briggs & Stratton wyposażone w tuleję żeliwną Dura-Bore™	2 lata	1 rok
Wszystkie pozostałe silniki Briggs & Stratton	2 lata	90 dni

* Są to nasze standardowe warunki gwarancji, ale w niektórych przypadkach zakres gwarancji może być rozszerzony, co nie zostało określone w momencie publikacji. Lista aktualnych warunków gwarancji dla Twojego silnika znajduje się na stronie BRIGGSandSTRATTON.COM lub można ją uzyskać u autoryzowanego dealera serwisowego firmy Briggs & Stratton.

▲ Silniki wykorzystywane w domowych generatorach awaryjnych posiadają jedynie gwarancję według zastosowania konsumenckiego. Niniejsza gwarancja nie dotyczy silników lub wyposażenia stosowanego jako pierwsze źródło zasilania zamiast publicznej sieci zasilania. **Silniki stosowane w rajdach lub w pojazdach używanych do celów komercyjnych lub wypożyczanych nie posiadają gwarancji.**

Okres gwarancyjny rozpoczyna się w dniu zakupu przez pierwszego konsumenta detalicznego lub komercyjnego użytkownika końcowego, oraz trwa przez okres czasu wymieniony w powyższej tabeli. "Zastosowanie konsumenckie" oznacza osobiste użytkowanie (sprzętu) w gospodarstwie domowym przez konsumenta detalicznego. "Zastosowanie komercyjne" oznacza innych użytkowników, włącznie z użyciem dla celów komercyjnych, produkcją zarobkową lub wynajmem. Jeżeli silnik był, choć raz stosowany w celach komercyjnych, to w rozumieniu tej gwarancji traktowany będzie jako silnik o zastosowaniu komercyjnym.

W celu uzyskania gwarancji na produkty firmy Briggs & Stratton nie trzeba dokonywać rejestracji gwarancji. Należy jedynie zachować dowód zakupu. W przypadku, gdy klient nie przedstawi dowodu zakupu z pierwszą datą zakupu w momencie zgłoszenia usługi gwarancyjnej, okres gwarancyjny zostanie określony na podstawie daty produkcji produktu.

Informacja o gwarancji

Firma Briggs & Stratton przyjmuje naprawę gwarancyjną i przeprasza Państwa za kłopoty. Naprawę gwarancyjną może wykonać każdy autoryzowany dealer serwisowy. Większość napraw gwarancyjnych to naprawy rutynowe, jednak czasem wezwanie serwisu gwarancyjnego może być nieuzasadnione.

W przypadku różnicy zdań pomiędzy klientem i dealerem serwisowym należy przeprowadzić postępowanie wyjaśniające i zdecydować, czy przypadek taki zostanie objęty naprawą gwarancyjną. Należy zwrócić się do dealera serwisowego z prośbą o przekazanie dystrybutorowi lub fabryce wszystkich istotnych faktów niezbędnych dla przeprowadzenia oceny. Jeżeli dystrybutor lub fabryka zdecyduje, że reklamacja jest uzasadniona, klient otrzyma rekompensatę za wszystkie elementy, które okazały się wadliwe. W celu uniknięcia nieporozumień pomiędzy klientem a dealerem, poniżej podano kilka przyczyn uszkodzeń silnika nieobjętych gwarancją.

Normalne zużycie: Silniki, tak jak wszystkie urządzenia mechaniczne wymagają, w celu poprawnego działania, okresowej wymiany części i serwisowania. Niniejsza gwarancja nie obejmuje napraw elementów w przypadkach, kiedy normalne zużycie ograniczyło żywotność części i silnika. Gwarancją nie są objęte przypadki uszkodzenia silnika na skutek jego niewłaściwego użycia, braku rutynowej konserwacji, uszkodzenia podczas transportu, manipulowania przy nim, niewłaściwego przechowywania lub instalacji. Podobnie, gwarancja jest nieważna w przypadku usunięcia numeru seryjnego silnika lub modyfikacji albo zmiany silnika.

Niewłaściwa konserwacja: Żywotność silnika zależy od warunków, w jakich pracuje i konserwacji, którą mu się zapewnia. Silnik wykorzystywany w maszynach rolniczych, pompach i kosiarkach rotacyjnych poddawany jest często działaniu kurzu i brudu, co prowadzi do przedwczesnego zużycia. Zużycie spowodowane brudem, kurzem, proszkiem do czyszczenia świecy lub innym materiałem ściernym, który dostał się do silnika z powodu niewłaściwej konserwacji, nie zostało objęte gwarancją.

Gwarancja obejmuje wyłącznie wady materiałowe silnika i/lub robociznę, natomiast nie dotyczy ona wymiany lub zwrotu kosztów sprzętu, w którym zamontowano silnik. Gwarancji rozszerzonej nie podlegają naprawy z uwagi na:

- 1 Problemy spowodowane przez części, które nie są oryginalnymi częściami firmy Briggs & Stratton.
- 2 Regulatory lub instalacje stanowiące wyposażenie, które uniemożliwiają uruchomienie, są przyczyną niezadawalającej pracy silnika lub skracają żywotność silnika. (Należy skontaktować się z producentem sprzętu.)
- 3 Przeciekające gaźniki, zatłokane przewody paliwowe, zablokowane zawory lub inne uszkodzenia spowodowane przez używanie zanieczyszczonego lub zestarzałego paliwa.

- 4 Części zarysowane lub pęknięte wskutek obsługi przy niewystarczającej ilości oleju lub oleju zawierającego zanieczyszczenia, albo olej niewłaściwej klasy (poziom oleju należy sprawdzać i uzupełniać, kiedy to konieczne, a olej wymieniać w zalecanych odstępach czasu). W przypadku czujnika poziomu oleju OIL GARD może nie nastąpić wyłączenie silnika. Silnik może ulec uszkodzeniu, gdy olej nie jest utrzymywany na właściwym poziomie.
- 5 Naprawę lub ustawienie współpracujących części lub zespołów takich jak sprężła, przekładnie, zdalne regulatory itp. niebędące produktem firmy Briggs & Stratton.
- 6 Uszkodzenie lub zużycie części spowodowane przez brud, który dostał się do silnika wskutek niewłaściwej konserwacji filtra powietrza, ponownego montażu lub użycie nieoryginalnego wkładu lub elementu filtra powietrza. W zalecanych przedziałach czasu czyścić i/lub wymienić filtr zgodnie z opisem w Instrukcji obsługi.
- 7 Części uszkodzone wskutek przekroczenia prędkości obrotowej lub przegrzania spowodowanego przez trawę, resztki lub brud, które zatkają lub zablokują powierzchnię żeberek chłodzących lub koła wentylatora, względnie uszkodzenia spowodowane przez eksploatację silnika w przestrzeniach zamkniętych bez dostatecznej wentylacji. Usuwać zanieczyszczenia z silnika w zalecanych przedziałach czasu zgodnie z opisem w Instrukcji obsługi.
- 8 Części silnika lub wyposażenia uszkodzone przez nadmierną wibrację powstającą w efekcie luźnego montażu silnika, luźnych ostrzy tnących, niewyważonych ostrzy, lub luźnych względnie niewyważonych wirników, niewłaściwego przyłączenia osprzętu do wału korbowego silnika, nadmiernej prędkości obrotowej lub innych przypadków niewłaściwej eksploatacji.
- 9 Zgięty lub złamany wał korbowy w przypadku, kiedy uszkodzenie powstało w efekcie uderzenia ostrza tnącego kosiarki rotacyjnej w twardy przedmiot lub nadmiernego naciągu paska klinowego.
- 10 Rutynowa obsługa lub regulacja silnika.
- 11 Uszkodzony silnik lub część silnika tj. komora spalania, zawory, gniazda zaworowe, prowadnice zaworowe lub spalone uzwojenie rozrusznika silnika w efekcie stosowania paliw alternatywnych takich jak gaz propan -butan, gaz naturalny, zmienioną benzynę, itd.

Usługi gwarancyjne są dostępne jedynie u autoryzowanych dealerów serwisowych firmy Briggs & Stratton Corporation. W celu uzyskania usługi gwarancyjnej należy skontaktować się z najbliższym autoryzowanym dealerem serwisowym zgodnie z mapą autoryzowanych dealerów pod BRIGGSandSTRATTON.com lub www.chabin.pl lub dzwoniąc pod numer w USA 1-800-233-3723, lub zapoznać się z wykazem w części "Złote Strony".

Informații generale

Acest manual conține informații privind siguranța, care vă avertizează cu privire la pericolele și riscurile asociate motoarelor și vă informează despre modul în care le puteți evita. De asemenea, conține instrucțiuni privind utilizarea și întreținerea corectă a motorului. Deoarece Briggs & Stratton Corporation nu știe cu siguranță ce tip de echipament va acționa acest motor, este important să citiți și să înțelegeți aceste instrucțiuni, precum și cele referitoare la echipamentul pe care acest motor îl va acționa. **Păstrați aceste instrucțiuni originale pentru a le putea consulta ulterior.**

Notați mai jos modelul, tipul și codul motorului, împreună cu data achiziționării. Aceste date vor fi necesare la solicitarea pieselor de schimb sau pentru asistență tehnică. Consultați secțiunea Caracteristici pentru a afla unde sunt poziționate aceste numere pe motor (consultați pagina **Caracteristici și comenzi**).

Data achiziționării: _____
ZZ/LL/AAAA

Modelul motorului: _____
Model: Tip: Cod:

Informații de evaluare a puterii motorului

Valoarea nominală brută pentru modelele individuale de motoare pe benzină este evaluată în conformitate cu codul SAE (Society of Automotive Engineers) (Societatea Inginerilor de automobile) J1940 (Proceduri de evaluare nominală a torsiunii și puterii pentru motoarele nerutiere), iar performanța nominală a fost evaluată și corectată conform SAE J1995 (Revizuit 2002-05). Valorile cuplului sunt derivate la 3060 RPM; valorile în cai-putere sunt derivate la 3600 RPM. Puterea nominală brută reală a motorului va fi mai mică și va fi afectată, între altele, de condițiile ambientale de utilizare și variația de la motor la motor. Datorită gamei largi de produse care utilizează aceste motoare și diferitelor probleme de mediu aplicabile la utilizarea echipamentului, motorul pe benzină nu va dezvolta puterea nominală brută atunci când este utilizat la un anumit produs (puterea reală "la punctul de lucru" sau netă). Această diferență este datorată mai multor factori care includ dar nu se limitează la accesorii (filtru de aer, eșapament, încărcare, răcire, carburator, pompa de combustibil, etc.), limitele de aplicare, condițiile mediului de utilizare (temperatură, umiditate, altitudine) și variația de la motor la motor. Datorită limitărilor de producție și capacitate, este posibil ca Briggs & Stratton să înlocuiască motorul din această serie cu un motor cu o putere nominală mai ridicată.

Siguranța operatorului

SIMBOLURI REFERITOARE LA SIGURANȚĂ ȘI COMENZI



Simbolul de atenționare este folosit pentru a identifica informațiile despre siguranță care semnalează pericolul de vătămare. Împreună cu simbolul de atenționare este folosit un cuvânt (PERICOL, AVERTISMENT sau ATENȚIE) care indică probabilitatea și gravitatea posibililor vătămări. În plus, poate fi folosit un simbol de pericol pentru a reprezenta tipul de pericol.

PERICOL indică un pericol care, dacă nu este evitat, **se va solda cu moartea sau cu accidentarea gravă.**

AVERTISMENT indică un pericol care, dacă nu este evitat, **se poate solda cu moartea sau cu accidentarea gravă.**

ATENȚIE indică un pericol care, dacă nu este evitat, **s-ar putea solda cu vătămări minore sau moderate.**

NOTIFICARE indică o situație care ar putea duce la deteriorarea produsului.

AVERTISMENT

Unele componente ale acestui produs și ale accesoriilor asociate conțin substanțe declarate în statul California drept cancerigene, defecte congenitale și alte probleme reproductive. Spălați-vă mâinile după utilizare.

AVERTISMENT

Gazele de eșapament de la acest motor conțin substanțe chimice care sunt cunoscute în statul California drept cauzatoare de cancer, malformații congenitale sau alte disfuncții reproductive.

AVERTISMENT

Briggs & Stratton nu aprobă și nu recunoaște utilizarea acestor motoare pe vehicule de teren cu 3 roți (ATV-uri), motocicletele, kărturi recreaționale, aparate aeronautice sau vehicule destinate unei utilizări în competiții sportive. Utilizarea acestor motoare în aceste circumstanțe poate provoca daune materiale, leziuni grave (incluzând paralizia) sau poate duce chiar la deces.

NOTIFICARE: Acest motor a fost expedit de Briggs & Stratton fără ulei. Înainte de a porni motorul, asigurați-vă că ați adăugat ulei conform cu instrucțiunile din acest manual. Pornirea motorului fără ulei provoacă deteriorarea iremediabilă a acestuia, care nu este acoperită de garanție.

AVERTISMENT

Combustibilul și vaporii săi sunt foarte inflamabili și explozivi. Incendiul sau explozia se pot solda cu arsuri severe sau cu moartea.

Când alimentați cu combustibil

- Opriți motorul și lăsați-l să se răcească cel puțin 2 minute înainte de a scoate bușonul de combustibil.
- Umpleți rezervorul de combustibil în aer liber sau în zone bine ventilate.
- Nu supraalimentați rezervorul de combustibil. Pentru a permite dilatarea combustibilului, umpleți numai până la marginea inferioară a gâtului rezervorului de combustibil.
- Păstrați combustibilul la distanță de scânteii, flăcări deschise, flăcări de veghe, căldură și de alte surse de aprindere.
- Verificați frecvent conductele de combustibil, rezervorul, bușonul și fittingurile pentru a observa eventualele crăpături sau scurgeri. Înlocuiți-le dacă este necesar
- Dacă se varsă combustibil, așteptați până când acesta se evaporă înainte de a porni motorul.

Atunci când porniți motorul

- Asigurați-vă că bujia, echipamentul, bușonul rezervorului și filtrul de aer (dacă este prevăzut) sunt montate și bine fixate.
- Nu trageți de coardă când bujia este scoasă.
- Dacă motorul se înecă, deplasați șocul (dacă este prevăzut) în poziția OPEN/RUN (DESCHIS/FUNCTIONARE), deplasați maneta de accelerație (dacă este prevăzută) în poziția FAST (RAPID) și demarați până când motorul pornește.

Atunci când utilizați echipamentul

- Nu înclinați motorul sau echipamentul la un unghi care poate cauza vărsarea combustibilului.
- Nu înecați carburatorul pentru a opri motorul.
- Nu porniți și nu lăsați motorul să funcționeze fără ansamblu de filtrare (dacă este prevăzut) sau filtru (dacă este prevăzut).

La schimbarea uleiului

- Dacă scurgeți uleiul prin tubul superior de alimentare cu ulei, rezervorul de combustibil trebuie să fie gol, în caz contrar combustibilul se poate scurge, provocând un incendiu sau o explozie.

Atunci când transportați echipamentul

- Transportați echipamentul cu rezervorul GOL sau cu robinetul de oprire a combustibilului în poziția OFF (OPRIT).

Atunci când depozitați combustibil sau echipamentul cu combustibil în rezervor

- Depozitați-le la distanță de cuptoare, sobe, boilere sau alte echipamente care au flacără de veghe sau altă sursă de aprindere, deoarece acestea ar putea aprinde vaporii de combustibil.



AVERTISMENT



Pornirea motorului creează scânteii.
Scânteile pot aprinde gazele inflamabile din apropiere.
Se pot produce explozii și incendii.



- Dacă există o scurgere de gaz natural sau de petrol lichefiat în zonă, nu porniți motorul.
- Nu utilizați fluide de aprindere sub presiune deoarece vaporii sunt inflamabili.



AVERTISMENT



Motorul degajă monoxid de carbon, un gaz toxic inodor și incolor.
Inhalarea monoxidului de carbon poate produce amețeli, leșin sau moartea.

- Porniți și folosiți motorul în aer liber.
- Nu porniți și nu utilizați motorul în spații închise, chiar dacă ușile și ferestrele sunt deschise.



AVERTISMENT



Retragerea rapidă a corzii de pornire (reculul) va trage mâna și brațul către motor mai repede decât puteți să îi dați drumul.

Aceasta poate cauza ruperea oaselor, fracturi, zgârieturi sau luxații.

- La pornirea motorului, trageți lent coarda până simțiți rezistență, și apoi trageți rapid pentru a evita reculul.
- Îndepărtați toate echipamentele externe/sarcinile motorului înainte de a-l porni.
- Componentele echipamentului cuplate direct, cum ar fi lamele, paletele, roțile de transmisie, roțile de lanț etc., trebuie să fie montate corect.



AVERTISMENT



Piese în mișcare pot intra în contact sau agăța mâinile, picioarele, părul, hainele sau accesoriile.

Astfel se pot produce amputări traumatiche sau tăieturi.

- Utilizați echipamentul cu apărătoarele montate.
- Feriți mâinile și picioarele de piesele rotative.
- Legați părul lung și nu purtați bijuterii.
- Nu purtați haine largi, șnururi care atârână sau articole care ar putea fi agățate.



AVERTISMENT



Funcționarea motorului produce căldură. Piese ale motorului, în special toba de eșapament, devin foarte fierbinți.

Se pot produce arsuri termice grave la contactul cu acestea.



Deșeurile combustibile, cum ar fi frunzele, iarba, ramurile etc. pot lua foc.

- Lăsați eșapamentul, cilindrul și aripile acestuia să se răcească înainte de a le atinge.
- Îndepărtați materialele inflamabile acumulate în zona tobei de eșapament și a cilindrului.
- Conform California Public Resource Code, secțiunea 4442, este interzisă utilizarea motorului în zone cu păduri, tufișuri sau iarbă fără a fi dotate cu un paravan de scântei conform secțiunii 4442, aflat în bună stare de funcționare. Este posibil ca alte state să aibă legi similare. Luați legătura cu producătorul, vânzătorul sau dealerul echipamentului pentru a obține un paravan de scântei adaptat sistemului de evacuare montat pe acest motor.



AVERTISMENT



Producerea accidentală de scântei se poate solda cu incendii sau cu electrocutare.



Pornirea accidentală se poate solda cu agățare, amputare traumatică sau tăieturi.



Pericol de incendiu

Înainte de a efectua reglaje sau reparații:

- Deconectați fișa bujiei și țineți-o la distanță de bujie.
- Deconectați borna negativă a bateriei (numai la motoarele cu sistem de pornire electrică).
- Utilizați doar scule corecte.
- Nu efectuați intervenții asupra clapetelor reglatoare, asupra transmisiilor sau asupra altor piese componente pentru a obține o turație mai mare a motorului.
- Piese de schimb trebuie să fie identice și montate în aceeași poziție cu piesele originale. Este posibil ca alte piese să nu funcționeze la fel de bine, să deterioreze aparatul sau să provoace vătămări corporale.
- Nu loviți volanta cu ciocanul sau cu obiecte grele. În caz contrar, volanta se poate dezmembra în timpul funcționării.

Atunci când testați scântea la bujii:

- Folosiți un tester de bujie omologat.
- Nu verificați scântea la bujie cu bujia scoasă.

Caracteristici și comenzi

Comparați desenul **1** cu motorul Dvs. pentru a vă familiariza cu amplasarea diverselor caracteristici și comenzi.

- A. Identificarea motorului
Model Tip Cod
- B. Bujie
- C. Filtru de aer (fără rezervor de combustibil)
- D. Filtru de aer (cu rezervor de combustibil)
- E. Jojă de ulei
- F. Orificiu alimentare cu ulei
- G. Filtrul de ulei (opțional)
- H. Bușon de scurgere a uleiului
- I. Senzor de presiune a uleiului
- J. Apărătoare degete
- K. Electromotor
- L. Pornire cu coardă retractilă (opțional)
- M. Carburatorul
- N. Eșapament (opțional)
- O. Pompă de combustibil
- P. Comutator demaror *
- Q. Comandă accelerație *
- R. Comandă șoc *
- S. Filtru de combustibil (opțional)
- T. Rezervor de combustibil (opțional)
- U. Valvă oprire combustibil (opțională) *
- V. Comutator de oprire (opțional) *
- W. Radiator pentru ulei (opțional)

* Unele motoare și echipamente sunt dotate cu sisteme de control de la distanță. Consultați manualul echipamentului pentru instrucțiuni despre amplasarea și utilizarea comenzilor de la distanță.

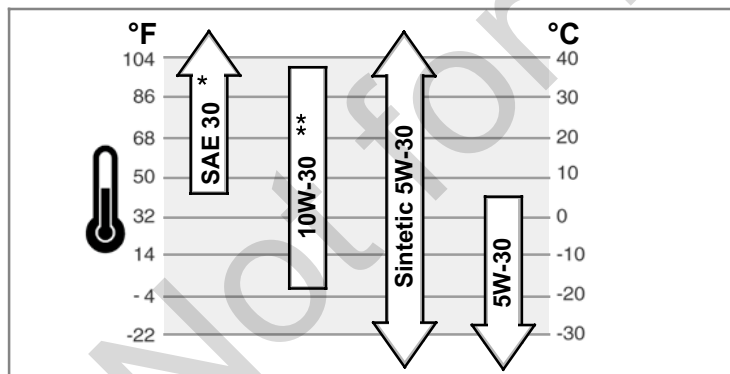
Utilizare

Capacitate de ulei (vezi secțiunea **Specificații**)

Recomandări privind uleiul

Pentru o funcționare optimă, recomandăm utilizarea uleiurilor atestate de Briggs & Stratton. Sunt acceptabile și alte tipuri de ulei detergent de calitate, dacă sunt clasificate pentru service SF, SG, SH, SJ sau superior. Nu folosiți aditivi speciali.

Vâscozitatea corectă a uleiului de motor este determinată de temperatura exterioară. Folosiți tabelul pentru a selecta valoarea optimă de vâscozitate în funcție de intervalul de temperatură exterioară preconizat.



* Dacă folosiți ulei SAE 30 sub 40°F (4°C), aceasta va duce la pornirea cu dificultate a motorului.

** Utilizarea uleiului 10W-30 la temperaturi peste 80°F (27°C) va duce la un consum de ulei peste normal. Verificați mai des nivelul uleiului.

Verificarea/Adăugarea uleiului - Figura 2

Înainte de a adăuga sau de a verifica nivelul uleiului

- Așezați motorul pe orizontală.
 - Curățați eventualele deșeuri din zona orificiului de alimentare cu ulei.
1. Scoateți joja (A) și ștergeți-o cu o cârpă curată (Figura 2).
 2. Introduceți complet joja.
 3. Scoateți joja și verificați nivelul uleiului. Acesta trebuie să fie în partea superioară a marcajului „plin” (B) de pe jojă.

4. Dacă nivelul este scăzut, adăugați ulei, încet, în gura de alimentare cu ulei a motorului (C). **Nu umpleți prea tare.** După ce ați adăugat ulei, așteptați un minut după care verificați, din nou, nivelul uleiului.
5. Introduceți complet joja.

Presiunea uleiului

Dacă presiunea uleiului este prea mică, un comutator de presiune (dacă există) va opri motorul sau va activa un indicator de avertizare. În acest caz, opriți motorul și verificați nivelul uleiului folosind joja.

Dacă uleiul se află sub marcajul ADD (ADĂUGARE), adăugați ulei până când acesta ajunge la marcajul FULL (PLIN). Porniți motorul și verificați dacă presiunea este corectă înainte de a continua utilizarea.

Dacă nivelul uleiului este între marcajul ADD (ADĂUGARE) și FULL (PLIN), **nu porniți** motorul. Luați legătura cu un distribuitor autorizat Briggs & Stratton pentru a remedia problema cu presiunea uleiului.

Recomandări pentru combustibil

Combustibilul trebuie să îndeplinească următoarele cerințe:

- Benzină pură, proaspătă, fără plumb.
- Cifra octanică minim 87/87 AKI (91 RON). Pentru utilizarea la altitudini mari, vezi mai jos.
- Se acceptă benzină cu până la 10% etanol (gasohol) sau până la 15% MTBE (methyl tertiary butyl ether).

NOTIFICARE: Nu utilizați tipuri de benzină nerecomandate, cum ar fi E85. Nu introduceți ulei în benzină și nu modificați motorul pentru a funcționa cu combustibili alternativi. În această situație, componentele motorului vor fi deteriorate și **garanția va fi anulată.**

Pentru a evita formarea depunerilor în sistemul de combustibil, adăugați un stabilizator de combustibil. Vezi secțiunea **Depozitare**. Nu toate tipurile de combustibil sunt identice. În cazul apariției unor probleme de pornire sau funcționare, schimbați furnizorii de combustibil sau mărcile. Acest motor este certificat pentru funcționarea cu benzină. Sistemul de control al emisiilor pentru motor este EM (Engine Modifications) (Modificările motorului).

Altitudine ridicată

La altitudini de peste 5.000 de picioare (1524 metri) este necesară utilizarea unei benzine cu cifră octanică minim 85/85 AKI (89 RON). Pentru a respecta regimul emisiilor este necesar un reglaj pentru altitudini ridicate. Nefectuarea acestui reglaj va duce la o funcționare defectuoasă, la consum mărit de combustibil și nivel ridicat al emisiilor. Consultați un agent autorizat Briggs & Stratton pentru mai multe informații referitoare la reglajul de altitudine ridicată.

Este nerecomandată utilizarea setului pentru altitudine ridicată pentru funcționarea motorului la altitudini sub 2.500 de picioare (762 de metri).

Adăugarea combustibilului - Figura 3



AVERTISMENT



Combustibilul și vaporii săi sunt foarte inflamabili și explozivi. Incendiul sau explozia se pot solda cu arsuri severe sau cu moartea.



Când alimentați cu combustibil

- Opriți motorul și lăsați-l să se răcească cel puțin 2 minute înainte de a scoate bușonul de combustibil.
- Umpleți rezervorul de combustibil în aer liber sau în zone bine ventilate.
- Nu supraalimentați rezervorul de combustibil. Pentru a permite dilatarea combustibilului, umpleți numai până la marginea inferioară a gâtului rezervorului de combustibil.
- Păstrați combustibilul la distanță de scântei, flăcări deschise, flăcări de veghe, căldură și de alte surse de aprindere.
- Verificați frecvent conductele de combustibil, rezervorul, bușonul și fittingurile pentru a observa eventualele crăpături sau scurgeri. Înlocuiți-le dacă este necesar.
- Dacă se varsă combustibil, așteptați până când acesta se evaporă înainte de a porni motorul.

1. Curățați zona bușonului de combustibil de murdărie și reziduuri. Demontați bușonul de combustibil (A, Figura 3).
2. Umpleți rezervorul cu combustibil (B). Pentru a permite dilatarea combustibilului, umpleți numai până la marginea inferioară a gâtului rezervorului (C).
3. Montați la loc bușonul de combustibil.

Pornirea motorului - Figura 4



AVERTISMENT



Retragerea rapidă a corzii de pornire (reculul) va trage mâna și brațul către motor mai repede decât puteți să îi dați drumul. Aceasta poate cauza ruperea oaselor, fracturi, zgârieturi sau luxații.

- La pornirea motorului, trageți lent coarda până simțiți rezistență, și apoi trageți rapid pentru a evita reculul.



AVERTISMENT



Combustibilul și vaporii săi sunt foarte inflamabili și explozivi. Incendiul sau explozia se pot solda cu arsuri severe sau cu moartea.

Atunci când porniți motorul

- Asigurați-vă că bujia, eșapamentul, bușonul rezervorului și filtrul de aer (dacă este prevăzut) sunt montate și bine fixate.
- Nu trageți de coardă când bujia este scoasă.
- Dacă motorul se înecă, deplasați șocul (dacă este prevăzut) în poziția OPEN/RUN (DESCHIS/FUNCȚIONARE), deplasați maneta de accelerație (dacă este prevăzută) în poziția FAST (RAPID) și demarați până când motorul pornește.



AVERTISMENT



Motorul degajă monoxid de carbon, un gaz toxic inodor și incolor. Inhalarea monoxidului de carbon poate produce amețeli, leșin sau moartea.

- Porniți și folosiți motorul în aer liber.
- Nu porniți și nu utilizați motorul în spații închise, chiar dacă ușile și ferestrele sunt deschise.

NOTIFICARE: Acest motor a fost expediat de Briggs & Stratton fără ulei. Înainte de a porni motorul, asigurați-vă că ați adăugat ulei conform cu instrucțiunile din acest manual. Pornirea motorului fără ulei provoacă deteriorarea iremediabilă a acestuia, care nu este acoperită de garanție.

Notă: Unele motoare și echipamente sunt dotate cu sisteme de control de la distanță. Consultați manualul echipamentului pentru instrucțiuni despre amplasarea și utilizarea comenzilor de la distanță.

1. Verificați nivelul uleiului. Vezi secțiunea **Verificarea/Adăugarea uleiului**.
2. Asigurați-vă că ați decuplat comenzile de acționare ale aparatului, dacă există.
3. Rotiți robinetul de oprire a combustibilului (A), dacă există, în poziția on (pornit) (Figura 4).
4. Apăsăți comutatorul de oprire (F), dacă există, în poziția on (pornit).
5. Deplasați comanda de accelerație (B) în poziția fast (rapid). Puneți în funcțiune motorul în poziția fast (rapid).
6. Deplasați comanda șocului (C) în poziția șoc.

Notă: De obicei, utilizarea șocului nu este necesară când reporniți un motor cald.

7. **Pornire folosind coarda:** Rotiți comutatorul cu cheie (D), dacă există, în poziția run (funcționare).
8. **Pornire folosind coarda:** Apucați ferm mânerul corzii de pornire a motorului (E). Trageți coarda lent până când întâmpinați rezistență, apoi trageți rapid.

Notă: Dacă motorul nu pornește după trei încercări, accesați **BRIGGSandSTRATTON.COM** sau apelați **1-800-233-3723** (în SUA).



AVERTISMENT: Retragerea rapidă a corzii motorului (reculul) vă va trage mâna și brațul către motor mai repede decât puteți să îi dați drumul. Aceasta poate provoca ruperea oaselor, fracturi, zgârieturi sau luxații. La pornirea motorului, trageți lent coarda până ce simțiți că opune rezistență, apoi trageți rapid pentru a evita reculul.

9. **Pornire electrică:** Rotiți comutatorul de pornire electrică (D) în poziția on (pornit)/start.

Notă: Dacă motorul nu pornește după trei încercări, vizitați **BRIGGSandSTRATTON.COM** sau sunați la **1-800-233-3723** (în SUA).

NOTIFICARE: Pentru a prelungi durata de funcționare a demarorului, utilizați cicluri scurte de pornire (maxim cinci minute). Așteptați un minut între cicluri.

10. Pe măsură ce motorul se încălzește, mutați comanda șocului (C) în poziția run (funcționare) .

Oprirea motorului - Figura 4



AVERTISMENT



Combustibilul și vaporii săi sunt foarte inflamabili și explozivi. Incendiul sau explozia se pot solda cu arsuri severe sau cu moartea.

- Nu înecați carburatorul pentru a opri motorul.

1. Deplasați comanda accelerației (B) în poziția slow (lent) , apoi rotiți comutatorul cu cheie (D) în poziția off (oprit) (Figura 4). Scoateți cheia și păstrați-o într-un loc sigur, la care nu au acces copiii.
2. Apăsăți butonul de oprire (F), dacă există, în poziția oprit
3. După oprirea motorului, deplasați robinetul de oprire a combustibilului (A), dacă există, în poziția închis.

Intreținere

Vă recomandăm să apelați la un distribuitor cu service autorizat Briggs & Stratton pentru toate operațiile de întreținere și reparare a motorului și a pieselor.

NOTIFICARE: Toate componentele utilizate la realizarea acestui motor trebuie să fie prezente pentru ca motorul să funcționeze corect.

Controlul emisiilor

Întreținerea, înlocuirea sau repararea sistemelor și dispozitivelor de control al emisiilor poate fi efectuată de orice unitate sau persoană specializată în repararea motoarelor nerutiere. Totuși, pentru efectuarea unui service al controlului emisiilor "fără taxă" lucrările trebuie efectuate de un agent autorizat de către producător. Vezi Garanția pentru emisii.



AVERTISMENT



Producerea accidentală de scântei se poate solda cu incendii sau cu electrocutare.



Pornirea accidentală se poate solda cu agățare, amputare traumatică sau tăieturi.



Pericol de incendiu

Înainte de a efectua reglaje sau reparații:

- Deconectați fișa bujiei și țineți-o la distanță de bujia.
- Deconectați borna negativă a bateriei (numai la motoarele cu sistem de pornire electrică).
- Utilizați doar scule corecte.
- Nu efectuați intervenții asupra clapetelor reglatoare, asupra transmisiilor sau asupra altor piese componente pentru a obține o turație mai mare a motorului.
- Piese de schimb trebuie să fie identice și montate în aceeași poziție cu piesele originale. Este posibil ca alte piese să nu funcționeze la fel de bine, să deterioreze aparatul sau să provoace vătămări corporale.
- Nu loviți volanta cu ciocanul sau cu obiecte grele. În caz contrar, volanta se poate dezmembra în timpul funcționării.

Atunci când testați scântea la bujii:

- Folosiți un tester de bujie omologat.
- Nu verificați scântea la bujia scoasă.

Program de întreținere

Primele 5 ore

- Schimbați uleiul

La fiecare 8 ore sau zilnic

- Verificați nivelul uleiului din motor
- Curățați zona din jurul tobei de eșapament și al comenzilor.

La fiecare 100 de ore sau anual

- Curățați filtrul de aer *
- Curățați prefiltrul (dacă există) *
- Înlocuiți uleiul de motor și filtrul de ulei
- Înlocuiți bujia
- Inspectați eșapamentul și paravanul pentru scântei
- Verificați jocul supapei **

La fiecare 400 de ore sau anual

- Înlocuiți filtrul de aer
- Înlocuiți filtrul de combustibil
- Curățați sistemul de răcire cu aer *
- Curățați lamelele radiatorului pentru ulei *

* În medii prăfoase sau cu impurități în aer, curățați mai frecvent.

** Doar în cazul în care se observă probleme de funcționare a motorului.

Reglarea carburatorului

Nu reglați carburatorul. Carburatorul a fost setat de către producător pentru a funcționa eficient în condiții normale. Dacă totuși este necesar un reglaj, consultați un agent autorizat Briggs & Stratton pentru service.

NOTIFICARE: Producătorul echipamentului pe care e instalat motorul a precizat turajia maximă la care poate fi utilizat acest motor. **Nu depășiți** această turajie.

Înlocuirea bujiei - Figura 5

Verificați deschiderea (A, Figura 5) cu un calibrul de sârmă (B). Dacă este necesar, modificați deschiderea. Montați și strângeți bujia la cuplul recomandat. Pentru stabilirea deschiderii bujiei sau cuplului, consultați secțiunea **Specificații**.

Notă: În unele zone, legile locale cer utilizarea unei bujii cu rezistor pentru a suprima semnalele de aprindere. Dacă acest motor a fost echipat la origine cu o bujie cu rezistor, utilizați același tip de bujie pentru înlocuire.

Inspectați echipamentul și paravanul pentru scânteii - Figura 6



AVERTISMENT



Funcționarea motorului produce căldură. Piese ale motorului, în special toba de eșapament, devin foarte fierbinți.

Se pot produce arsuri termice grave la contactul cu acestea.



Deșeurile combustibile, cum ar fi frunzele, iarba, ramurile etc. pot lua foc.

- Lăsați echipamentul, cilindrul și aripile acestuia să se răcească înainte de a le atinge.
- Îndepărtați materialele inflamabile acumulate în zona tobei de eșapament și a cilindrului.
- Legislația California Public Resource Code, Secțiunea 4442, precizează că motoarele utilizate în zone împădurite, cu iarbă sau cu tufșuri trebuie echipate cu paravan de scânteii în bună stare de funcționare, conform Secțiunii 4442. Este posibil ca și alte state să aibă legislație similară. Contactați producătorul echipamentului, vânzătorul sau distribuitorul pentru a obține un paravan de scânteii adaptat la sistemul de eșapament instalat pe acest motor.

Îndepărtați reziduurile acumulate în zona echipamentului și cilindrului. Verificați dacă toba de eșapament (A, Figura 6) nu prezintă crăpături, semne de coroziune sau alte probleme. Demontați paravanul de scânteii (B), dacă există, și verificați dacă nu este deteriorat sau blocat cu funingine. Dacă depistați probleme, montați piesele de schimb înainte de utilizare.



AVERTISMENT: Piesele de schimb trebuie să fie identice și montate în aceeași poziție cu piesele originale. Este posibil ca alte piese să nu funcționeze la fel de bine, să deterioreze aparatul sau să provoace vătămări corporale.

Schimbarea uleiului - Figura 8 9

Uleiul uzat este un deșeu periculos. Depozitați uleiul în mod corespunzător. Nu-l aruncați împreună cu resturile menajere. Interesați-vă la autoritățile locale, centrul de service sau la distribuitor despre instalații sigure de colectare/reciclare.

Scurgerea uleiului

1. Cu motorul oprit dar încă cald, deconectați fișa bujiei (A) și țineți-o la distanță de bujie (Figura 8).
2. Demontați bușonul de scurgere a uleiului (B, Figura 9). Scurgeți uleiul într-un recipient adecvat.
3. După scurgerea uleiului, montați și strângeți bușonul de scurgere a uleiului.

Schimbarea filtrului de ulei (dacă există)

Unele modele sunt echipate cu un filtru de ulei. Pentru intervalele de schimb, vezi tabelul **Întreținere**.

1. Scurgeți uleiul din motor. Vezi secțiunea **Scurgerea uleiului**.
2. Scoateți filtrul de ulei (C) și casați-l în mod corespunzător. Vezi Figura 9.
3. Înainte de a monta noul filtru de ulei, lubrifiați ușor garnitura filtrului de ulei cu ulei proaspăt și curat.
4. Montați filtrul de ulei manual până garnitura intră în contact cu adaptorul filtrului de ulei, apoi strângeți filtrul de ulei 1/2 până la 3/4 de rotație.
5. Adăugați ulei. Vezi secțiunea **Adăugarea uleiului**.
6. Porniți motorul și lăsați-l să funcționeze. Pe măsură ce motorul se încălzește, verificați eventualele scurgeri de ulei.
7. Opriți motorul și verificați nivelul uleiului. Acesta trebuie să fie în partea superioară a marcajului „plin” (F) de pe joă (Figura 8).

Adăugarea uleiului

- Așezați motorul pe orizontală.
 - Curățați eventualele deșeuri din zona orificiului de alimentare cu ulei.
 - Vezi secțiunea **Specificații** pentru detalii cu privire la capacitatea de ulei.
1. Scoateți joja (D) și ștergeți-o cu o cârpă curată (Figura 8).
 2. Turnați uleiul, încet, în gura de alimentare cu ulei a motorului (E). **Nu umpleți prea tare.** După ce ați adăugat ulei, așteptați un minut după care verificați nivelul uleiului.
 3. Montați și strângeți joja.
 4. Scoateți joja și verificați nivelul uleiului. Acesta trebuie să fie în partea superioară a marcajului „plin” (F) de pe joă.
 5. Montați și strângeți joja.

Întreținerea filtrului de aer - Figura 11 12



AVERTISMENT



Combustibilul și vaporii săi sunt foarte inflamabili și explozivi. Incendiul sau explozia se pot solda cu arsuri severe sau cu moartea.



- Nu porniți și nu lăsați motorul să funcționeze fără ansamblu de filtrare (dacă este prevăzut) sau filtru (dacă este prevăzut).

NOTIFICARE: Nu folosiți aer presurizat sau solvenți pentru a curăța filtrul. Aerul presurizat poate deteriora filtrul, iar solvenții îl dizolvă.

Sunt prezentate două tipuri de filtre de aer. Vezi **tabelul de întreținere** pentru instrucțiuni privind întreținerea.

1. **Modele fără rezervor de combustibil:** Deschideți clapetele (A) și demontați capacul (B). Vezi figura 11.
2. **Modele cu rezervor de combustibil:** Demontați butonul (C) și capacul (B). Vezi figura 12.
3. Demontați piulița (D) și blocajul (E). Vezi figura 11 and 12.
4. Demontați filtrul de aer (F).
5. Demontați prefiltrul (G), dacă există, din filtrul de aer.
6. Pentru a îndepărta impuritățile, loviți ușor filtrul de aer de o suprafață dură. Dacă filtrul de aer este excesiv de murdar, înlocuiți-l cu unul nou.
7. Spălați prefiltrul în detergent lichid și apă. Apoi lăsați-l să se usuce complet la aer. **Nu ungeți prefiltrul cu ulei.**
8. Montați prefiltrul uscat în filtrul de aer.
9. Montați filtrul de aer și fixați-l folosind blocajul și piulița.
10. Montați și fixați capacul.

Înlocuirea filtrului de combustibil - Figura 7



AVERTISMENT



Combustibilul și vaporii săi sunt foarte inflamabili și explozivi. Incendiul sau explozia se pot solda cu arsuri severe sau cu moartea.



- Păstrați combustibilul la distanță de scânteii, flăcări deschise, flăcări de veghe, căldură și de alte surse de aprindere.
- Verificați frecvent conductele de combustibil, rezervorul, bușonul și fittingurile pentru a observa eventualele crăpături sau scurgeri. Înlocuiți-le dacă este necesar.
- Înainte de a înlocui filtrul de combustibil, scurgeți combustibilul din rezervor sau închideți robinetul de oprire a combustibilului.
- Piesele de schimb trebuie să fie identice și montate în aceeași poziție ca piesele originale.
- Dacă se varsă combustibil, așteptați până când acesta se evaporă înainte de a porni motorul.

1. Înainte de a înlocui filtrul de combustibil (A, Figura 7), dacă acesta există, scurgeți combustibilul din rezervor sau închideți robinetul de oprire a combustibilului. În caz contrar, combustibilul se poate scurge și provoca un incendiu sau o explozie.
 2. Folosiți un clește pentru a strânge lamelele (B) pe cleme (C), apoi glisați clemele distanțându-le de filtrul de combustibil. Răsuciți și extrageți conductele de combustibil (D) de pe filtrul de combustibil.
 3. Verificați dacă conductele de alimentare cu combustibil nu prezintă crăpături sau scurgeri. Înlocuiți-le dacă este necesar.
 4. Înlocuiți filtrul de combustibil cu un filtru nou original.
 5. Fixați conductele de combustibil cu ajutorul clemelor, conform ilustrației.
- Notă:** Motoarele dotate cu rezervoare de combustibil montate în fabrică pot avea un filtru de combustibil în rezervor (E), vezi Figura 3.

Curățarea sistemului de răcire cu aer - Figura 10



AVERTISMENT



Funcționarea motorului produce căldură. Piese ale motorului, în special toba de eșapament, devin foarte fierbinți.

Se pot produce arsuri termice grave la contactul cu acestea.



Deșeurile combustibile, cum ar fi frunzele, iarba, ramurile etc. pot lua foc.

- Lăsați eșapamentul, cilindrul și aripile acestuia să se răcească înainte de a le atinge.
- Îndepărtați materialele inflamabile acumulate în zona tobei de eșapament și a cilindrului.

Depozitare



AVERTISMENT



Combustibilul și vaporii săi sunt foarte inflamabili și explozivi.

Incendiul sau explozia se pot solda cu arsuri severe sau cu moartea.



Atunci când depozitați combustibil sau echipamentul cu combustibil în rezervor

- Depozitați-le la distanță de cuptoare, sobe, boilere sau alte echipamente care au flacără de veghe sau altă sursă de aprindere, deoarece acestea ar putea aprinde vaporii de combustibil.

Sistemul de alimentare cu combustibil

Combustibilul se poate învechi în cazul în care este depozitat mai mult de 30 de zile. Învechirea combustibilului provoacă formarea de depozite de acizi și reziduuri în

NOTIFICARE: Nu folosiți apă pentru a curăța motorul, deoarece aceasta poate să contamineze sistemul de alimentare cu combustibil. Folosiți o perie sau o cârpă uscată pentru curățarea motorului.

Acest motor este răcit cu aer. Murdăria sau reziduurile pot restricționa fluxul de aer și provoca supraîncălzirea motorului, având ca rezultat scăderea performanțelor și reducerea duratei de funcționare a motorului.

Folosiți o perie sau o cârpă uscată pentru a îndepărta reziduurile de pe protecția pentru degete (A). Mențineți curățenia conexiunilor, arcurilor și comenzilor (B). Nu permiteți acumularea de deșeuri inflamabile în zona din jurul și din spatele tobei de eșapament (C) (Figura 10). Asigurați-vă că lamelele radiatorului pentru ulei (D) sunt curate.

sistemul de alimentare cu combustibil sau în componente esențiale ale carburatorului. Pentru a păstra combustibilul proaspăt, utilizați stabilizatorul de combustibil Briggs & Stratton FRESH START® disponibil sub formă de aditiv lichid sau cartuș concentrat.

Nu este nevoie să scurgeți benzina din motor dacă ați adăugat un stabilizator de combustibil conform instrucțiunilor. Lăsați motorul să funcționeze 2 minute pentru a permite stabilizatorului să circule prin sistemul de alimentare cu combustibil. Motorul și combustibilul pot fi apoi depozitate până la 24 de luni.

Dacă benzina din motor nu a fost tratată cu un stabilizator de combustibil, trebuie scursă într-un recipient adecvat. Lăsați motorul să funcționeze până ce se oprește din cauza lipsei de combustibil. Pentru menținerea prospețimii, se recomandă utilizarea unui stabilizator de combustibil în recipientul de stocare.

Ulei de motor

Schimbați uleiul cât timp motorul este cald.

Căutarea defecțiunilor

Aveți nevoie de asistență? Accesați BRIGGSandSTRATTON.COM sau sunați la 1-800-233-3723.

Specificații

Specificațiile motorului	
Model	290000
Capacitate cilindrică	29,23 ic (479 cc)
Alezaj	2,677 in (68 mm)
Cursă	2,598 in (66 mm)
Capacitate ulei	46 - 48 oz (1,36 - 1,42 L)

Specificațiile motorului	
Model	300000
Capacitate cilindrică	29,23 ic (479 cc)
Alezaj	2,677 in (68 mm)
Cursă	2,598 in (66 mm)
Capacitate ulei	46 - 48 oz (1,36 - 1,42 L)

Specificații de reglare *	
Model	290000, 300000
Distanță electrozi bujie	0,030 in (0,76 mm)
Cuplu bujie	180 lb-in (20 Nm)
Distanță electrozi rotor	0,008 - 0,012 in (0,20 - 0,30 mm)
Joc supapă de admisie	0,004 - 0,006 in (0,10 - 0,15 mm)
Joc supapă de evacuare	0,004 - 0,006 in (0,10 - 0,15 mm)

Specificațiile motorului	
Model	350000
Capacitate cilindrică	34,78 ic (570 cc)
Alezaj	2,835 in (72 mm)
Cursă	2,756 in (70 mm)
Capacitate ulei	46 - 48 oz (1,36 - 1,42 L)

Specificațiile motorului	
Model	380000
Capacitate cilindrică	38,26 ic (627 cc)
Alezaj	2,972 in (75,5 mm)
Cursă	2,756 in (70 mm)
Capacitate ulei	46 - 48 oz (1,36 - 1,42 L)

Specificații de reglare *	
Model	350000, 380000
Distanță electrozi bujie	0,030 in (0,76 mm)
Cuplu bujie	180 lb-in (20 Nm)
Distanță electrozi rotor	0,008 - 0,012 in (0,20 - 0,30 mm)
Joc supapă de admisie	0,004 - 0,006 in (0,10 - 0,15 mm)
Joc supapă de evacuare	0,004 - 0,006 in (0,10 - 0,15 mm)

* Puterea motorului va scădea cu 3,5% la fiecare 1.000 de picioare (300 de metri) deasupra nivelului mării și cu 1% la fiecare 10° F (5,6° C) peste 77° F (25° C). Motorul va funcționa corect la un unghi de până la 15°. Consultați manualul de utilizare al echipamentului pentru limitările de siguranță privind utilizarea în pantă.

Componente ce necesită service frecvent

Componentă service	Piesa numărul
Filtru de aer – cu rezervor de combustibil	393957
Filtru de aer – în afară de modelul 380000	394018
Filtru de aer – model 380000	692519
Prefiltru filtru de aer - cu rezervor de combustibil	271794
Prefiltru filtru de aer – în afară de modelul 380000	272490
Prefiltru filtru de aer – model 380000	692520
Ulei – SAE 30	100028
Filtru de ulei - 6 cm lungime	492932
Filtru de ulei – 9 cm lungime	491056

Componentă service	Piesa numărul
Filtru de combustibil – cu rezervor de combustibil	808116
Filtru de combustibil - cu pompă de combustibil	691035
Filtru de combustibil - fără pompă de combustibil	298090
Aditiv pentru combustibil	5041
Bujie cu rezistor	491055
Bujie de platină cu durată lungă de viață	5066
Cheie pentru bujii	19374
Tester de bujii	19368

➤ Vă recomandăm să apelați la un agent autorizat Briggs & Stratton pentru toate operațiile de întreținere și reparare a motorului și a pieselor.

GARANȚIE LIMITATĂ

Briggs & Stratton Corporation va repara sau înlocui, în mod gratuit, orice piesă(e) care prezintă defecte de materiale, de fabricație sau ambele. Cheltuielile de transport pentru piesele trimise pentru a fi reparate sau înlocuite sub această garanție trebuie suportate de către cumpărător. Această garanție este valabilă pentru perioadele de timp și în condițiile menționate mai jos. Pentru reparații în perioada de garanție, căutați cel mai apropiat agent autorizat pe harta noastră de la adresa BRIGGSandSTRATTON.com, sau sunați la 1-800-233-3723, ori consultați „Paginile Aurii”.

Nu există nici o altă garanție specifică. Garanțiile implicite, cum ar fi garanția de vandabilitate și garanția funcționării produsului în conformitate cu un anumit domeniu de aplicabilitate sunt limitate la un an de la data cumpărării sau la o perioadă de timp impusă de lege. Toate celelalte garanții implicite sunt excluse. În limitele permise de lege, producătorul este exonerat de orice răspundere în ceea ce privește daunele care nu fac obiectul garanțiilor. Este posibil ca această prevedere să nu fie valabilă pentru dvs., deoarece legile privitoare la garanția acordată pentru aceste daune sunt diferite în țări și în state diferite. Această garanție vă conferă anumite drepturi legale, în plus puteți beneficia și de alte drepturi legale, care diferă de la o țară la alta și de la un stat la altul.

TERMENI DE GARANȚIE STANDARD * ▲

Marcă/Tipul produsului	Uz Personal	Uz Comercial
Vanguard™	2 ani	2 ani
Extended Life Series™; I/C®; Intek™ I/C®; Intek™ Pro; Professional Series™ cu cămașa cilindrului din fontă Dura-Bore™; 850 Series™ cu cămașa cilindrului din fontă Dura-Bore™; Snow Series MAX™ cu cămașa cilindrului din fontă Dura-Bore™ Toate celelalte motoare Briggs & Stratton cu cilindri din fontă Dura-Bore™	2 ani	1 an
Alte motoare Briggs & Stratton	2 ani	90 zile

* Aceștia sunt termenii noștri standard de garanție, însă este posibil să publicăm ocazional termenii de garanție suplimentari, care nu existau la data publicării. Pentru a obține termenii de garanție actualizați, accesați BRIGGSandSTRATTON.COM sau contactați un reprezentant de service autorizat Briggs & Stratton.

▲ Motoarele folosite pentru generatoare casnice de rezervă sunt garantate numai pentru uzul casnic. Garanția nu este valabilă pentru motoarele de pe echipamentele folosite ca sursă principală de electricitate, în locul rețelei electrice. **Motoarele folosite în competiții sau în scopuri comerciale sau de închiriere nu beneficiază de garanție.**

Perioada de garanție începe de la data cumpărării de către primul cumpărător cu amănuntul sau de către utilizatorul final comercial, și continuă pentru perioada de timp menționată în tabelul de mai sus. Prin "uz personal" se înțelege folosirea acestui produs în gospodărie de către primul său cumpărător cu amănuntul. Prin "uz comercial" se înțelege orice altă utilizare, inclusiv comercială, activitate aducătoare de venituri sau închirierea. În cadrul acestei polițe de garanție, un motor, odată ce a fost utilizat comercial este considerat ca fiind de uz comercial și pentru viitor.

Nu este necesară înregistrarea garanției pentru a obține garanția pentru produsele Briggs & Stratton. Păstrați chitanța primită la cumpărare. Dacă nu puteți dovedi data cumpărării inițiale atunci când solicitați service în garanție, va fi utilizată data fabricației produsului pentru a determina perioada de garanție.

Despre garanție

Ne face plăcere să vă oferim reparații în perioada de garanție și ne cerem scuze pentru neplăcerile cauzate. Reparațiile din perioada de garanție pot fi efectuate de orice agent de service autorizat. Majoritatea reparațiilor din perioada de garanție sunt tratate ca operații de rutină, însă în unele cazuri solicitarea de service în perioada de garanție nu este îndreptățită.

După ce clientul se adresează unității service, se va proceda la o investigație a situației. Cereți distribuitorului să înainteze toate formularele la șeful rețelei de distribuitori sau la fabrică. Dacă aceștia hotărăsc că plângerea este justificată, clientul va fi despăgubit în totalitate pentru defectele menționate. Pentru a evita eventualele neînțelegeri care pot interveni între clienți și distribuitori, vă prezentăm enumerate mai jos câteva din cauzele defectării motorului pentru care nu se aplică garanția.

Uzură normală: Motoarele, ca orice alte sisteme mecanice, necesită întreținere regulată pentru a funcționa corect. Garanția nu acoperă reparațiile dacă durata de funcționare a produsului sau a unei piese a fost depășită prin utilizare normală. Garanția nu se aplică motoarelor deteriorate datorită utilizării necorespunzătoare, neefectuării întreținerii de rutină, transportului, manipulării, depozitării sau montării incorecte. În mod similar, garanția se anulează dacă numărul de serie de pe motor a fost îndepărtat sau dacă produsul a fost modificat.

Întreținere incorectă: Durata de viață a unui motor depinde de condițiile în care este exploatat și de întreținerea sa. Produsele precum motocultivatorele, pompele sau mașinile de tuns gazonul sunt adesea folosite în medii prăfoase sau murdare, care pot provoca uzura prematură. Acest tip de uzură provocată de noroi, praf, impurități provocate de curățarea bujiilor sau alte materiale abrazive care au pătruns în interiorul produsului datorită întreținerii incorecte, nu este acoperită de garanție.

Această garanție se aplică defectelor de material sau de funcționare ale motorului exclusiv, și nu implică înlocuirea echipamentului pe care a fost montat motorul. Garanția nu se aplică nici reparațiilor impuse de următoarele:

- 1 Probleme cauzate de folosirea pieselor care nu sunt piese originale Briggs & Stratton.
- 2 Dispozitive montate pentru a preveni pornirea accidentală a echipamentului și care au cauzat funcționarea necorespunzătoare a motorului sau au scurtat durata sa de viață. (Adresați-vă producătorului echipamentului.)

- 3 Scurgeri la carburator, conducte de combustibil înfundate, supape blocate sau orice alte probleme cauzate de folosirea unui combustibil necorespunzător.
- 4 Piese care sunt zgâriate sau stricate din cauză că un motor a funcționat cu ulei insuficient sau contaminat, sau cu un ulei de vâscozitate necorespunzătoare (verificați zilnic nivelul uleiului și completați dacă este necesar; schimbați uleiul la intervalele recomandate). Este posibil ca GARDA (SENZORUL) DE ULEI să nu oprească motorul din funcționare. Se pot produce defecțiuni ale motorului dacă nivelul uleiului nu este menținut corespunzător.
- 5 Reparații asupra unor componente care nu sunt fabricate de Briggs & Stratton, de ex. cuplaje, transmisii, dispozitive de telecomandă, etc.
- 6 Deteriorarea sau uzura unor piese cauzată de pătrunderea prafului în motor datorită întreținerii sau montării necorespunzătoare a filtrului de aer, sau folosirii unui filtru de aer care nu e original. Curățați și/sau înlocuiți filtrul la intervalele recomandate în Manualul de utilizare.
- 7 Piesele deteriorate datorită supraîncălzirii sau supraîncălzirii motorului datorită ierbii, resturilor sau prafului care au colmatat aripioarele de răcire sau au obturat zona volantei, sau datorită folosirii motorului într-o încăpere insuficient ventilată. Curățați motorul la intervalele recomandate în Manualul de utilizare.
- 8 Motorul sau piese stricate ca urmare vibrațiilor datorate unei instalări necorespunzătoare, echilibrării sau fixării incorecte a cuțitelor sau a rotorului, montarea necorespunzătoare a motorului pe echipament, supraîncălzirea motorului.
- 9 Îndoarea sau ruperea arborelui cotit, cauzată de lovirea unui obiect contondent cu lamelele cuțitelor, în cazul unei mașini de tuns iarba cu cuțite rotative, sau de supratensiunea curelelor trapezoidale.
- 10 Tuning sau reglaje de rutină ale motorului.
- 11 Avarierea motorului sau a uneia din părțile componente ale motorului, de exemplu, camera de combustie, supapele, scaunele de supape, ghidajele de supape, bobina, cauzate de folosirea unor combustibili vechi sau alterați, etc.

Operațiunile de service din perioada de garanție pot fi efectuate numai de agenții autorizați Briggs & Stratton Corporation. Localizați cel mai apropiat service al unui agent autorizat utilizând harta agenților de la BRIGGSandSTRATTON.com, sunați la numărul 1-800-233-3723 sau consultați „Pagini Aurii”.

Общие сведения

В настоящем руководстве содержится информация по безопасности, которая предупредит Вас об опасностях и рисках, связанных с эксплуатацией двигателя, а также о том, как их избежать. В руководстве также приведены инструкции по надлежащей эксплуатации и обслуживанию двигателя. Поскольку компания Briggs & Stratton может не знать, какое оборудование будет приводить в движение данный двигатель, важно, чтобы Вы прочли и поняли эти инструкции, а также инструкции для оборудования, имеющего привод от данного двигателя. **Сохраните настоящее руководство для обращения к нему в будущем.**

Для получения запасных частей или технической поддержки в будущем запишите ниже модель, тип и код Вашего двигателя вместе с датой покупки. Эти данные указаны на Вашем двигателе (см. страницу раздела **Отдельные узлы и органы управления**).

Дата покупки: _____

ММ/ДД/ГГГГ

Модель двигателя: _____

Модель: _____ Тип: _____ Код: _____


Информация о номинальной мощности двигателя

Значения полной номинальной мощности для отдельных моделей с бензиновыми двигателями указываются на наклейках в соответствии со стандартом SAE (Ассоциация инженеров автомобилестроения) J1940 (Процедура оценки мощности и крутящего момента малолитражного двигателя), а номинальные характеристики были получены и откорректированы в соответствии со стандартом SAE J1995 (Редакция 2002-05). Значения крутящего момента приводятся для 3600 об/мин; значения мощности в л.с. приводятся для 3600 об/мин. Реальная полная мощность двигателя может быть меньше и зависит, кроме прочего, от окружающих условий эксплуатации и конкретной модификации двигателя. Учитывая как широкий спектр устройств, на которые устанавливаются двигатели, так и требования по охране окружающей среды при эксплуатации этих устройств, бензиновые двигатели могут не развивать номинальной полной мощности при использовании на конкретных видах силового оборудования (эффективная эксплуатационная или полезная мощность). Это различие обусловлено рядом факторов, включая комплектацию двигателя (воздушный фильтр, система выхлопа, наддува, охлаждения, карбюратор, топливный насос и т.п.), ограничения по использованию на конечном устройстве, окружающие условия эксплуатации (температура, влажность, высота над уровнем моря) и различия в модификациях двигателя, но не ограничивается только этим. По причине производственных ограничений и нехватки мощностей, компания Briggs & Stratton может заменить двигатель этой серии двигателем с более высокой номинальной мощностью.


Безопасность оператора


СИМВОЛЫ ПО ТЕХНИКЕ БЕЗОПАСНОСТИ И ОПЕРАЦИЯМ УПРАВЛЕНИЯ




Предупредительный знак  используется для обозначения информации об опасных ситуациях, которые могут привести к травме. С этим знаком используется сигнальное слово (ОПАСНО, ПРЕДУПРЕЖДЕНИЕ или ОСТОРОЖНО), указывающее на вероятность и потенциальную тяжесть травмы. В дополнение, символ опасности может использоваться для указания вида опасности.


 **ОПАСНО** указывает на опасную ситуацию, которая, если ее не избежать, **приведет к смертельному исходу или серьезной травме.**


 **ПРЕДУПРЕЖДЕНИЕ** указывает на опасную ситуацию, которая, если ее не избежать, **может привести к смертельному исходу или серьезной травме.**

 **ОСТОРОЖНО** указывает на опасную ситуацию, которая если ее не избежать, **может привести к травме средней тяжести или легкой травме.**

ВНИМАНИЕ указывает на ситуацию, которая **может привести к повреждению изделия.**

 **ПРЕДУПРЕЖДЕНИЕ**
Некоторые компоненты данного устройства и сопутствующие принадлежности могут содержать вещества, признанные Штатом Калифорния как вещества, которые могут вызвать рак и привести к нарушению репродуктивной функции. Мойте руки после обращения с такими компонентами.

 **ПРЕДУПРЕЖДЕНИЕ**
Выхлопные газы двигателя содержат химические продукты, которые, по данным штата Калифорния, вызывают рак, дефекты у новорожденных или иные нарушения репродуктивной функции.

 **ПРЕДУПРЕЖДЕНИЕ**
Компания Briggs & Stratton не одобряет и не разрешает использование данных двигателей на трехколесных вездеходах, мотоциклах, прогулочных/развлекательных картингах, воздушных судах или автомобилях, предназначенных для использования в соревнованиях. Использование наших двигателей в данных целях может привести к порче имущества, серьезным травмам (включая паралич) или даже к смертельному исходу.

ВНИМАНИЕ: Данный двигатель поставляется компанией Briggs & Stratton без масла. Перед запуском двигателя, обязательно залейте масло согласно инструкциям настоящего руководства. Если Вы запустите двигатель без масла, то двигатель будет невосстановимо поврежден, и этот случай не будет покрываться гарантией.



ПРЕДУПРЕЖДЕНИЕ



Топливо и его пары чрезвычайно огнеопасны и взрывоопасны. Воспламенение или взрыв могут привести к сильным ожогам или смертельному исходу.

При добавлении топлива

- Прежде чем открыть крышку топливного бака, выключите двигатель и дайте ему остыть в течение, по меньшей мере, 2 минут.
- Заполняйте топливный бачок, либо на открытом воздухе, либо в хорошо проветриваемой зоне.
- Не допускайте переполнения топливного бака. Для обеспечения расширения бензина не заполняйте выше нижней части горловины топливного бака.
- Храните топливо вдали от искр, открытого пламени, горелок, нагревательных приборов и прочих источников воспламенения.
- Регулярно проверяйте топливопровод, бак, крышку и фитинги на наличие трещин и утечек. При необходимости, выполните замену.
- В случае пролива топлива, дождитесь его полного испарения, прежде чем запустить двигатель.

При запуске двигателя

- Убедитесь, что свеча зажигания, глушитель, крышка топливного бака и воздушный фильтр (если установлен) находятся на своих местах и надежно закреплены.
- Не проверяйте искру с вынутой свечей зажигания.
- В случае перелива топлива в карбюраторе двигателя, установите воздушную заслонку (если таковая имеется) в положение OPEN/RUN (Открыта/Работа), переместите дроссельную заслонку (если таковая имеется) в положение FAST (Быстро) и заводите двигатель, пока он не запустится.

При эксплуатации оборудования

- Не наклоняйте двигатель или оборудование на угол, при котором может пролиться топливо.
- Не перемещайте рычаг воздушной заслонки в закрытое положение для останова двигателя.
- Никогда не запускайте и не эксплуатируйте двигатель без установленного узла воздухоочистителя (если установлен) или воздушного фильтра (если установлен).

При замене масла

- Если вы сливаете масло через верхний маслосливной патрубок, топливный бак должен быть опорожнен или топливо начнет вытекать, что приведет к пожару или взрыву.

При транспортировке оборудования

- Транспортируйте двигатель с ПУСТЫМ топливным баком или с ЗАКРЫТЫМ краном подачи топлива.

При хранении топлива или оборудования с топливом в баке

- Храните оборудование на расстоянии от котлов, печей, водонагревателей и прочих приборов, в которых используются горелки или иные источники воспламенения, поскольку они могут воспламенить пары топлива.



ПРЕДУПРЕЖДЕНИЕ



При запуске двигателя происходит образование искры. Образование искры может вызвать воспламенение горючих газов.

Это может привести к взрыву и пожару.

- Не запускайте двигатель в том месте, где происходит утечка природного или сжиженного газа.
- Не используйте пусковые жидкости в аэрозольной упаковке, так как их пары огнеопасны.



ПРЕДУПРЕЖДЕНИЕ



Выхлопные газы содержат окись углерода — бесцветный и не имеющий запаха ядовитый газ.

Вдыхание окиси углерода (угарного газа) может вызвать рвоту, потерю сознания или смерть.

- Запускайте и эксплуатируйте двигатель вне помещения.
- Не запускайте двигатель в помещении даже при открытых окнах и дверях.



ПРЕДУПРЕЖДЕНИЕ



Быстрое втягивание шнура стартера (отдача) может притянуть руку к двигателю быстрее, чем Вы успеете отпустить ручку шнура. Это может привести к переломам, ушибам или растяжениям.

- При запуске двигателя, потяните сначала за ручку шнурового стартера медленно, а затем, когда почувствуете сопротивление, потяните быстро, чтобы избежать отдачи.
- Перед запуском двигателя, снимите все внешние нагрузки на оборудование/двигатель.
- Непосредственно подсоединенные элементы оборудования, например, лезвия, крыльчатки, шкивы, звездочки и т.п., но не ограничиваясь ими, должны быть надежно закреплены.



ПРЕДУПРЕЖДЕНИЕ



Вращающиеся детали могут войти в контакт с руками, ногами, волосами, одеждой и ее аксессуарами или захватить их.

Это может привести к травматической ампутации или тяжелым рваным ранам.

- Не эксплуатируйте оборудование без установленных защитных приспособлений.
- Не приближайте руки и ноги к вращающимся деталям.
- Подвязывайте длинные волосы и снимайте ювелирные изделия.
- Не носите свободную одежду, болтающиеся шнурки или предметы, которые могут быть захвачены движущимися деталями.



ПРЕДУПРЕЖДЕНИЕ



Во время работы двигателя выделяют тепло. Детали двигателя, в особенности глушитель, становятся очень горячими.

Прикосновение к ним может привести к сильным ожогам.



Воспламеняемый мусор, например листья, трава, хворост и т.п., могут загореться.

- Дайте глушителю, цилиндру и ребрам цилиндра остыть, прежде чем дотрагиваться до них.
- Очистите зону вокруг глушителя и цилиндра от скопившегося воспламеняемого мусора.
- Использование или эксплуатация двигателя на любой территории, покрытой лесом, кустарником или травой, без установленного искрогасителя на системе выхлопных газов, является нарушением закона Калифорнии об общественных ресурсах, статья 4442. Согласно Статьи 4442 искрогаситель должен находиться в рабочем состоянии. Другие штаты или федеральные юрисдикции могут иметь сходные законы. Обратитесь к производителю оригинального оборудования, продавцу или дилеру для приобретения искрогасителя, предназначенного для выхлопной системы, установленной на этом двигателе.



ПРЕДУПРЕЖДЕНИЕ



Случайное образование искры может привести к пожару или поражению электрическим током.

Случайный запуск может привести к захватыванию, травматической ампутации различных частей тела или к образованию рваных ран.

Риск возникновения пожара



Перед выполнением регулировок или ремонта:

- Отсоедините провод свечи зажигания и удалите его от свечи.
- Отсоедините отрицательный вывод аккумулятора (только для двигателей с электростартером).
- Используйте только подходящие инструменты.
- Не меняйте настройку пружины, тяг или иных деталей регулятора для увеличения частоты вращения вала двигателя.
- Запасные части должны иметь оригинальную конструкцию и устанавливаться на то же самое место, что и первоначальные детали. Использование неоригинальных деталей может стать причиной травмирования людей, сбоев в работе и повреждения агрегата.
- Не ударяйте по маховику молотком или твердым предметом, т.к. маховик может позже разорваться во время эксплуатации двигателя.

При проверке системы зажигания:

- Используйте разрешенный тестер системы зажигания.
- Не проверяйте искру с вынутой свечей зажигания.

Узлы двигателя и органы управления

Сравните рисунок 1 со своим двигателем, чтобы ознакомиться с расположением различных узлов двигателя и органов управления.

A. Идентификационное обозначение двигателя
Модель Тип Код

- B. Свеча зажигания
- C. Воздушный фильтр (без топливного бака)
- D. Воздушный фильтр (с топливным баком)
- E. Щуп уровня масла
- F. Маслоналивной патрубков
- G. Масляный фильтр (опция)
- H. Пробка сливного отверстия масла
- I. Датчик давления масла
- J. Ограждение для пальцев
- K. Электростартер
- L. Ручной тросовый стартер (опция)
- M. Карбюратор
- N. Глушитель (опция)
- O. Топливный насос
- P. Выключатель стартера *
- Q. Управление дросселем *
- R. Управление заслонкой *
- S. Топливный фильтр (опция)
- T. Топливный бак (опция)
- U. Кран подачи топлива (опция) *
- V. Выключатель останова (опция) *
- W. Маслоохладитель (опция)

* Некоторые двигатели и оборудование снабжены органами дистанционного управления. Касательно расположения и работы органов дистанционного управления смотрите руководство по эксплуатации для конкретного оборудования.

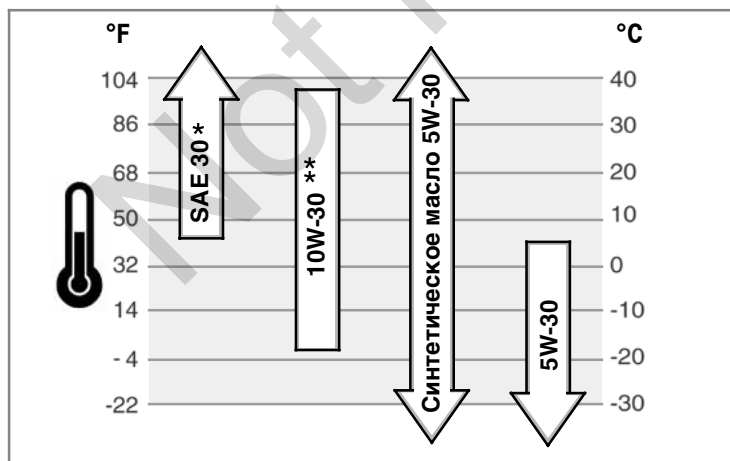
Эксплуатация

Количество масла (смотрите раздел *Технические данные*)

Рекомендации по использованию масла

Мы рекомендуем использовать разрешенные компанией Briggs & Stratton масла для достижения наилучших эксплуатационных характеристик. Другие высококачественные детергентные масла допускаются в том случае, если они классифицированы как "For Service SF, SG, SH, SJ" или выше. Запрещается использование специальных добавок.

Температура наружного воздуха определяет надлежащую вязкость моторного масла. Воспользуйтесь таблицей для выбора соответствующей вязкости для ожидаемого интервала температуры наружного воздуха.



* Использование масла SAE 30 при температурах ниже 40°F (4°C) приведет к затрудненному запуску двигателя.

** Использование масла 10W-30 при температурах выше 80°F (27°C) приведет к повышенному потреблению масла. Чаще проверяйте уровень масла.

Как проверить уровень масла/долить масло - Рис. 2

Перед добавлением или проверкой уровня масла

- Установите двигатель в горизонтальное положение.
- Очистите зону маслосливного отверстия от любого мусора.
- 1. Вытащите щуп для измерения уровня масла (A) и оботрите его чистой тряпочкой (Рис. 2).
- 2. Полностью вставьте щуп для измерения уровня масла.
- 3. Извлеките щуп и проверьте уровень масла. Он должен соответствовать верхней части индикатора заполнения (B) на щупе.
- 4. Если уровень ниже, медленно заливайте масло через маслосливную горловину (C). **Не переполняйте.** После доливки масла подождите одну минуту и затем снова проверьте уровень масла.
- 5. Полностью вставьте щуп для измерения уровня масла.

ДАВЛЕНИЕ МАСЛА

Если давление масла слишком низкое, реле давления (если имеется) остановит двигатель либо включит сигнальное устройство на оборудовании. В этом случае остановите двигатель и проверьте уровень масла при помощи щупа.

Если уровень масла ниже отметки ADD, добавьте масло до отметки FULL. Запустите двигатель и проверьте давление масла, прежде чем продолжать работу.

Если уровень масла находится между отметками ADD и FULL, **не запускайте** двигатель. Обратитесь к официальному дилеру компании Briggs & Stratton для устранения неисправности, вызвавшей низкое давление масла.

Рекомендации по использованию топлива

Топливо должно соответствовать следующим требованиям:

- Чистый, свежий, неэтилированный бензин.
- Минимальное октановое число 87/87 AKI (91 RON = исследовательское октановое число). При работе на большой высоте над уровнем моря, смотрите указания ниже.
- Допускается бензин с содержанием до 10 % этанола (бензоспирта) или до 15 % MTBE (третичный метилбутиловый эфир).

ВНИМАНИЕ: Не допускается использование неразрешенного бензина, например, E85. Не допускается примешивание масла в бензин, или модификация двигателя для работы на альтернативных видах топлива. Это может повредить компоненты двигателя и **аннулировать гарантию на двигатель.**

Для защиты топливной системы от образования смолы, примешивайте стабилизатор топлива к топливу. Смотрите раздел *Хранение*. Топливо может отличаться по составу и качеству. Если Вы сталкиваетесь с трудностями при запуске или в работе Вашего двигателя, то смените поставщика топлива или поменяйте торговую марку топлива. Данный двигатель сертифицирован для работы на бензине. Двигатель имеет систему контроля токсичности выхлопных газов, которая имеет обозначение EM (модификации двигателя).

Использование на большой высоте над уровнем моря

При работе на высотах над уровнем моря свыше 5,000 футов (1524 метров), допускается бензин с минимальным октановым числом 85/85 AKI (89 RON). Для соответствия требованиям по эмиссии, требуется регулировка для работы на большой высоте над уровнем моря. Работа без этой регулировки станет причиной ухудшения эксплуатационных характеристик, повышенного расхода топлива и увеличения вредных выбросов. Касательно информации по регулировке для работы на большой высоте над уровнем моря обращайтесь, пожалуйста, к уполномоченному сервисному дилеру от компании Briggs & Stratton.

Эксплуатация двигателя на высоте над уровнем моря ниже 2500 футов (762 метра) с комплектом для работы на большой высоте над уровнем моря не рекомендуется.

Как добавить топливо - Рис. 3



ПРЕДУПРЕЖДЕНИЕ



Топливо и его пары чрезвычайно огнеопасны и взрывоопасны. Воспламенение или взрыв могут привести к сильным ожогам или смертельному исходу.



При добавлении топлива

- Прежде чем открыть крышку топливного бака, выключите двигатель и дайте ему остыть в течение, по меньшей мере, 2 минут.
- Заполняйте топливный бачок, либо на открытом воздухе, либо в хорошо проветриваемой зоне.
- Не допускайте переполнения топливного бака. Для обеспечения расширения бензина не заполняйте выше нижней части горловины топливного бака.
- Храните топливо вдали от искр, открытого пламени, горелок, нагревательных приборов и прочих источников воспламенения.
- Регулярно проверяйте топливопровод, бак, крышку и фитинги на наличие трещин и утечек. При необходимости, выполните замену.
- В случае пролива топлива, дождитесь его полного испарения, прежде чем запустить двигатель.

1. Очистите крышку наливной горловины и зону вокруг нее от любой грязи и остатков мусора. Снимите крышку топливозаправочного патрубка (А, рис. 3).
2. Заполните топливный бак (В) бензином. Для возможности расширения бензина, не заполняйте выше нижней части горловины топливного бака (С).
3. Установите на место крышку топливного бака.

Как запустить двигатель - Рис. 4



ПРЕДУПРЕЖДЕНИЕ



Быстрое втягивание шнура стартера (отдача) может притянуть руку к двигателю быстрее, чем Вы успеете отпустить ручку шнура. Это может привести к переломам, ушибам или растяжениям.

- При запуске двигателя, потяните сначала за ручку шнурового стартера медленно, а затем, когда почувствуете сопротивление, потяните быстро, чтобы избежать отдачи.



ПРЕДУПРЕЖДЕНИЕ



Топливо и его пары чрезвычайно огнеопасны и взрывоопасны. Воспламенение или взрыв могут привести к сильным ожогам или смертельному исходу.

При запуске двигателя

- Убедитесь, что свеча зажигания, глушитель, крышка топливного бака и воздушный фильтр (если установлен) находятся на своих местах и надежно закреплены.
- Не проверяйте искру с вынутой свечей зажигания.
- В случае перелива топлива в карбюраторе двигателя, установите воздушную заслонку (если таковая имеется) в положение OPEN/RUN (Открыта/Работа), переместите дроссельную заслонку (если таковая имеется) в положение FAST (Быстро) и заводите двигатель, пока он не запустится.



ПРЕДУПРЕЖДЕНИЕ



Выхлопные газы содержат окись углерода – бесцветный и не имеющий запаха ядовитый газ.

Вдыхание окиси углерода (угарного газа) может вызвать рвоту, потерю сознания или смерть.

- Запускайте и эксплуатируйте двигатель вне помещения.
- Не запускайте двигатель в помещении даже при открытых окнах и дверях.

ВНИМАНИЕ: Данный двигатель поставляется компанией Briggs & Stratton без масла. Перед запуском двигателя, обязательно залейте масло согласно инструкциям настоящего руководства. Если Вы запустите двигатель без масла, то двигатель будет невосстановимо поврежден, и этот случай не будет покрываться гарантией.

Примечание: Некоторые двигатели и оборудование снабжены органами дистанционного управления. Касательно расположения и работы органов дистанционного управления смотрите руководство по эксплуатации для конкретного оборудования.

1. Проверьте уровень масла. Смотрите раздел **Как проверить уровень масла/долить масло.**
2. Убедитесь, что органы управления приводом оборудования, если таковые имеются, установлены в нейтральное положение.
3. Поверните топливный запорный клапан (А), если установлен, в открытое положение (Рис. 4).
4. Переместите выключатель останова (F), если имеется, в положение on (вкл).
5. Установите рычаг дроссельной заслонки (В) в положение большой скорости. Эксплуатируйте двигатель в положении большой скорости.
6. Переместите рычаг дроссельной заслонки (С) или комбинированный рычаг воздушной/дроссельной заслонки в положение choke (Закрето).

Примечание: Обычно нет необходимости в дросселировании при перезапуске теплого двигателя.

7. **Ручной тросовый стартер:** Поверните ключ выключателя (D), если установлен, в положение run (работа).
8. **Ручной тросовый стартер:** Крепко возьмитесь за ручку тросового стартера (E). Медленно потяните за ручку тросового стартера, а затем, когда почувствуете сопротивление, потяните быстро.

Примечание: Если двигатель не запускается после повторных попыток, зайдите на web-сайт **BRIGGSandSTRATTON.COM** или позвоните по телефону **1-800-233-3723** (в США).



ПРЕДУПРЕЖДЕНИЕ:

Быстрое втягивание троса стартера (обратная отдача) притянет Вашу ладонь и руку к двигателю быстрее, чем Вы сможете среагировать на это. Это может привести к перелому костей, трещинам, ушибам или растяжениям. При запуске двигателя медленно потяните за ручку шнура стартера, а затем, когда Вы почувствуете сопротивление, потяните за ручку быстро, чтобы избежать отдачи.

9. **Электрический стартер:** Поверните ручку выключателя электрического стартера (D) в положение ON (Вкл)/START (Пуск).

Примечание: Если двигатель не запускается после трех попыток, то посетите, пожалуйста, Web-сайт: **BRIGGSandSTRATTON.COM** или позвоните по телефону: **1-800-233-3723** (в США).

ВНИМАНИЕ: Для продления срока службы стартера используйте короткие циклы запуска (максимум, 5 секунд). Делайте паузу в одну минуту между циклами запуска.

10. После того, как двигатель прогреется, переместите рычаг воздушной заслонки (С) в положение RUN (Работа) |↑|.

Как остановить работу двигателя - Рис. 4



ПРЕДУПРЕЖДЕНИЕ



Топливо и его пары чрезвычайно огнеопасны и взрывоопасны. Воспламенение или взрыв могут привести к сильным ожогам или смертельному исходу.

- Не перемещайте рычаг управления воздушной заслонкой в закрытое положение для останова двигателя.

1. Переместите рычаг управления дросселем (В) в положение медленной работы, поверните ключ (D) в положение OFF (Выкл) (Рис. 4). Извлеките ключ и храните его в надежном месте, недоступном для детей.
2. Установите выключатель останова (F), если установлен, в положение off (вкл).
3. После останова двигателя, поверните ручку крана подачи топлива (А), если установлен, в закрытое положение.

Техническое обслуживание

Мы рекомендуем обращаться к любому уполномоченному сервисному дилеру от компании Briggs & Stratton для выполнения всех работ по техническому обслуживанию двигателя и его компонентов.

ВНИМАНИЕ: Все компоненты, используемые для сборки данного двигателя, должны оставаться на своем месте для его надлежащей работы.

Устройство для снижения токсичности выхлопа

Обслуживание, замена или ремонт устройств и систем контроля эмиссии могут выполняться любой мастерской или специалистом по ремонту на автомобильных двигателях. Однако, для "бесплатного" обслуживания компонентов системы понижения токсичности выхлопа, эти работы должны выполняться дилером, сертифицированным заводом-изготовителем. Смотрите гарантию на устройство для снижения токсичности выхлопа.

ПРЕДУПРЕЖДЕНИЕ

Случайное образование искры может привести к пожару или поражению электрическим током.

Случайный запуск может привести к захватыванию, травматической ампутации различных частей тела или к образованию рваных ран.

Риск возникновения пожара

Перед выполнением регулировок или ремонта:

- Отсоедините провод свечи зажигания и удалите его от свечи.
- Отсоедините отрицательный вывод аккумулятора (только для двигателей с электростартером).
- Используйте только подходящие инструменты.
- Не меняйте настройку пружины, тяг или иных деталей регулятора для увеличения частоты вращения вала двигателя.
- Запасные части должны иметь оригинальную конструкцию и устанавливаться на то же самое место, что и первоначальные детали. Использование неоригинальных деталей может стать причиной травмирования людей, сбоев в работе и повреждения агрегата.
- Не ударяйте по маховику молотком или твердым предметом, т.к. маховик может позже разорваться во время эксплуатации двигателя.

При проверке системы зажигания:

- Используйте разрешенный тестер системы зажигания.
- Не проверяйте искру с вынутой свечой зажигания.

Таблица выполнения технического обслуживания

Через первые 5 часов работы
<ul style="list-style-type: none"> Замена масла
Каждые 8 часов работы или ежедневно
<ul style="list-style-type: none"> Проверка уровня масла в двигателе Очистка зоны вокруг глушителя и органов управления
Каждые 100 часов работы или ежегодно
<ul style="list-style-type: none"> Очистка воздушного фильтра * Очистка предварительного очистителя (если имеется) * Замена масла и фильтра Замена свечи зажигания Проверка глушителя и искроуловителя Проверка зазора клапанов **
Каждые 400 часов работы или ежегодно
<ul style="list-style-type: none"> Замена воздушного фильтра Замените топливный фильтр Очистка системы воздушного охлаждения * Очистка пластин масляного радиатора*

* В условиях сильной запыленности или наличия в воздухе частичек сора, очистку следует выполнять более часто.

** Не требуется, пока не будут замечены проблемы работы двигателя.

Регулировка карбюратора

Никогда не выполняйте регулировки на карбюраторе. Карбюратор предварительно отрегулирован на заводе-изготовителе для эффективной работы для большинства условий эксплуатации. При необходимости регулировки обращайтесь, пожалуйста, к уполномоченному дилеру компании Briggs & Stratton для проведения технического обслуживания.

ВНИМАНИЕ: Изготовитель оборудования, на котором установлен двигатель, определяет максимальную рабочую скорость двигателя. **Не допускайте превышения** этой скорости.

Как заменить свечу зажигания - Рис. 5

Проверьте зазор (А, Рис. 5) с помощью проволочного калибра (В). При необходимости, установите зазор. Установите и затяните свечу зажигания с рекомендованным моментом затяжки. Касательно установки зазора или момента затяжки смотрите раздел **Технические данные**.

Примечание: В некоторых районах местные законы требуют использования резисторной свечи зажигания для подавления помех от сигналов зажигания. Если на данном двигателе была изначально установлена резисторная свеча зажигания, то для замены необходимо использовать свечу зажигания того же типа.

Проверьте глушитель и искроуловитель - Рис. 6

ПРЕДУПРЕЖДЕНИЕ

Во время работы двигателя выделяют тепло. Детали двигателя, в особенности глушитель, становятся очень горячими.

Прикосновение к ним может привести к сильным ожогам.

Воспламеняемый мусор, например листья, трава, хворост и т.п., могут загореться.

- Дайте глушителю, цилиндру и ребрам цилиндра остыть, прежде чем дотрагиваться до них.
- Очистите зону вокруг глушителя и цилиндра от скопившегося воспламеняемого мусора.
- К нарушению Правил пользования общими ресурсами штата Калифорния, раздел 4442, относятся использование или эксплуатация данного двигателя в какой-либо покрытой лесом, кустарниками или травой местности, если только система выпуска отработавших газов не оборудована искрогасителем, как это определено в Разделе 4442, который находится в нормальном рабочем состоянии. Другие штаты или территории в подведомственности федерального органа власти могут иметь аналогичные законы. Обращайтесь к производителю оригинального оборудования, продавцу или дилеру для приобретения искрогасителя, разработанного для системы выпуска отработавших газов, установленной на данном двигателе.

Очистите зону вокруг глушителя и цилиндра от скопившегося мусора. Осмотрите глушитель (А, Рис. 6) на отсутствие трещин, коррозии или прочих повреждений. Извлеките искроуловитель (В), если таковой имеется, и проверьте на отсутствие повреждения или закупорки сажей. В случае обнаружения поврежденных деталей, до начала работы их следует заменить запасными деталями.

ПРЕДУПРЕЖДЕНИЕ: Запасные части должны иметь оригинальную конструкцию и устанавливаться на то же самое место, что и первоначальные детали. Использование неоригинальных деталей может стать причиной травмирования людей, сбоев в работе и повреждения агрегата.

Как выполнить замену масла - Рис. 8 9

ВНИМАНИЕ: Отработанное масло представляет собой опасный продукт и должно быть утилизировано надлежащим способом. Выясните местонахождение пунктов безопасной утилизации/повторной переработки у местных властей, в сервисном центре или у дилера.

Слив масла

- При выключенном, но еще теплом двигателе отсоедините провод свечи зажигания (А) и отведите его в сторону от свечи зажигания (Рис. 8).
- Двигатель оборудован нижним сливным отверстием (В, Рис. 9). Слейте масло в соответствующую емкость.
- После того, как масло будет слито, установите и затяните пробку отверстия слива масла.

Замените масляный фильтр (если установлен)

Некоторые модели оборудованы масляным фильтром. Для интервалов замены обратитесь к таблице **Обслуживание**.

- Слейте масло из двигателя. См. раздел **Слив масла**.
- Снимите масляный фильтр (С) и утилизируйте соответствующим образом. См. Рис. 9.
- Перед установкой нового масляного фильтра немного смажьте прокладку масляного фильтра свежим чистым маслом.
- Установите масляный фильтр, затянув его рукой так, чтобы прокладка фильтра соприкасалась с адаптером масляного фильтра и затем затяните фильтр еще на 1/2 или 3/4 оборота.
- Долейте масло. См. раздел **Доливка масла**.
- Запустите двигатель и дайте ему поработать. По мере прогрева двигателя проверяйте на отсутствие утечек.
- Остановите двигатель и проверьте уровень масла. Он должен соответствовать верхней части индикатора заполнения (F) на щупе (Рис. 8).

Добавить масло

- Установите двигатель в горизонтальное положение.
 - Очистите зону маслоналивного отверстия от любого мусора.
 - Смотрите раздел **Технические характеристики** относительно количества масла.
- Вытащите щуп для измерения уровня масла (D) и оботрите его чистой тряпочкой (Рис. 8).
 - Медленно заливайте масло через маслоналивную горловину (E). **Не переполняйте.** После доливки масла подождите одну минуту и затем проверьте уровень масла.
 - Вставьте и затяните щуп для измерения уровня масла.
 - Извлеките щуп и проверьте уровень масла. Он должен соответствовать верхней части индикатора заполнения (F) на щупе.
 - Вставьте и затяните щуп для измерения уровня масла.

Как выполнить техническое обслуживание воздушного фильтра - Рис. 11 12



ПРЕДУПРЕЖДЕНИЕ



Топливо и его пары чрезвычайно огнеопасны и взрывоопасны. Воспламенение или взрыв могут привести к сильным ожогам или смертельному исходу.

- Никогда не запускайте и не эксплуатируйте двигатель без установленного узла воздухоочистителя (если установлен) или воздушного фильтра (если установлен).

ВНИМАНИЕ: Не используйте сжатый воздух или растворители для чистки фильтра. Сжатый воздух может повредить фильтр, а растворители могут его растворить.

На рисунке показаны два типа систем воздушного фильтра системе очистки воздуха. Требования к обслуживанию смотрите в **Таблице технического обслуживания**.

- Модели без топливного бака:** Откройте фиксаторы (A) и снимите крышку (B). См. Рис. 11.
- Модели с топливным баком:** Снимите круглую ручку (C) и крышку (B). См. Рис. 12.
- Скрутите гайку (D) и снимите держатель (E). См. Рис. 11 и 12.
- Снимите воздушный фильтр (F).
- Извлеките из воздушного фильтра предварительный очиститель (G), если таковой имеется.
- Для удаления сора осторожно постучите воздушным фильтром по твердой поверхности. Если воздушный фильтр очень сильно загрязнен, то замените его на новый.
- Вымойте предварительный очиститель в воде с жидким моющим средством. Затем полностью просушите его на открытом воздухе. **Не допускается** смазывать маслом предварительный очиститель.
- Установите просушенный предварительный очиститель в воздушный фильтр.
- Установите на место воздушный фильтр и закрепите его держателем и гайкой.
- Установите и зафиксируйте крышку.

Как заменить топливный фильтр - Рис. 7



ПРЕДУПРЕЖДЕНИЕ



Топливо и его пары чрезвычайно огнеопасны и взрывоопасны. Воспламенение или взрыв могут привести к сильным ожогам или смертельному исходу.

- Храните топливо вдали от искр, открытого пламени, горелок, нагревательных приборов и прочих источников воспламенения.
- Регулярно проверяйте топливопровод, бак, пробку и фитинги на наличие трещин и утечек. При необходимости, заменяйте детали.
- Перед заменой топливного фильтра, слейте топливо из топливного бака или закройте кран подачи топлива.
- Запасные части должны быть идентичными и устанавливаться на то же самое место, что и первоначальные детали.
- В случае пролива топлива, дождитесь его полного испарения, прежде чем запустить двигатель.

- Перед заменой топливного фильтра (A, Рис. 7), если он установлен, слейте топливо из топливного бака или закройте кран подачи топлива. В противном случае топливо может вылиться и привести к пожару или взрыву.
- Используйте плоскогубцы для сжатия выступов (B) на хомутах (C), затем сдвиньте хомуты в сторону от топливного фильтра. Скрутите и стяните топливные патрубки (D) с топливного фильтра.
- Проверьте топливные линии и убедитесь в отсутствии трещин или утечек. При необходимости, замените.
- Замените топливный фильтр на оригинальный запасной фильтр.
- Закрепите топливные линии при помощи хомутов, как показано на рисунке.

Примечание: Двигатели, комплектуемые устанавливаемым на заводе-изготовителе топливным баком, могут иметь встроенный в топливный бак фильтр грубой очистки (E), см. Рис. 3.

Как выполнить очистку системы воздушного охлаждения - Рис. 10



ПРЕДУПРЕЖДЕНИЕ



Во время работы двигателя выделяют тепло. Детали двигателя, в особенности глушитель, становятся очень горячими.

Прикосновение к ним может привести к сильным ожогам.



Воспламеняемый мусор, например листья, трава, хворост и т.п., могут загореться.

- Дайте глушителю, цилиндру и ребрам цилиндра остыть, прежде чем дотрагиваться до них.
- Очистите зону вокруг глушителя и цилиндра от скопившегося воспламеняемого мусора.

ВНИМАНИЕ: Не допускается использовать воду для очистки двигателя. Вода может попасть в топливную систему. Используйте щетку или сухую тряпку для очистки двигателя.

Этот двигатель имеет воздушную систему охлаждения. Грязь или сор может воспрепятствовать потоку воздуха и стать причиной перегрева двигателя, что приведет к ухудшению рабочих характеристик и сокращению срока службы двигателя.

Используйте щетку или сухую тряпку для удаления сора в зоне устройства защиты пальцев (A). Очистите сцепление, пружины и органы управления (B). Очистите участок вокруг и сзади глушителя (C) от любого горючего мусора (Рис. 10). Убедитесь, что на пластинах масляного радиатора (D) нет грязи и мусора.

Хранение



ПРЕДУПРЕЖДЕНИЕ



Топливо и его пары чрезвычайно огнеопасны и взрывоопасны. Воспламенение или взрыв могут привести к сильным ожогам или смертельному исходу.

При хранении топлива или оборудования с топливом в баке

- Храните оборудование на расстоянии от котлов, печей, водонагревателей и прочих приборов, в которых используются горелки или иные источники воспламенения, поскольку они могут воспламенить пары топлива.

Топливная система

Топливо может стать несвежим, если оно хранится более 30 дней. Несвежее топливо вызывает образование кислотных и смоляных отложений в топливной системе или на важных деталях карбюратора. Чтобы сохранить топливо свежим, используйте стабилизатор топлива FRESH START® от компании Briggs & Stratton, предлагаемый в виде жидкой присадки или картриджа с концентрированной жидкостью и с капельницей.

Не требуется сливать бензин из топливной системы двигателя, если стабилизатор топлива добавляется согласно инструкциям. Дайте двигателю поработать в течение 2 минут для циркуляции добавки через топливную систему. После этого двигатель и топливо могут храниться до 24 месяцев.

Если бензин не был обработан с помощью стабилизатора топлива, то бензин должен быть слит из двигателя в подходящую канистру. Дайте двигателю поработать, пока он не остановится из-за отсутствия топлива. Рекомендуется использование стабилизатора топлива в канистре для хранения с целью сохранения его свежести.

Моторное масло

Заменяйте моторное масло, когда двигатель еще теплый.

Устранение неисправностей

Вам требуется помощь? Посетите, пожалуйста, Web-сайт: **BRIGGSandSTRATTON.COM** или позвоните по телефону: **1-800-233-3723**.

Технические данные

Технические данные по двигателю	
Модель	290000
Рабочий объем	29,23 куб. дюймы (479 куб. см)
Диаметр цилиндра	2,677 дюймы (68 мм)
Ход поршня	2,598 дюймы (66 мм)
Количество масла	46 - 48 унций (1,36 - 1,42 л)

Технические данные по двигателю	
Модель	300000
Рабочий объем	29,23 куб. дюймы (479 куб. см)
Диаметр цилиндра	2,677 дюймы (68 мм)
Ход поршня	2,598 дюймы (66 мм)
Количество масла	46 - 48 унций (1,36 - 1,42 л)

Технические данные по двигателю	
Модель	350000
Рабочий объем	34,78 куб. дюймы (570 куб. см)
Диаметр цилиндра	2,835 дюймы (72 мм)
Ход поршня	2,756 дюймы (70 мм)
Количество масла	46 - 48 унций (1,36 - 1,42 л)

Технические данные по двигателю	
Модель	380000
Рабочий объем	38,26 куб. дюймы (627 куб. см)
Диаметр цилиндра	2,972 дюймы (75,5 мм)
Ход поршня	2,756 дюймы (70 мм)
Количество масла	46 - 48 унций (1,36 - 1,42 л)

Технические данные для регулировки *	
Модель	290000, 300000
Зазор свечи зажигания	0,030 дюймы (0,76 мм)
Момент затяжки для свечи зажигания	180 дюймов/фунт (20 Нм)
Воздушный зазор катушки	0,008 - 0,012 дюймы (0,20 - 0,30 мм)
Зазор впускного клапана	0,004 - 0,006 дюймы (0,10 - 0,15 мм)
Зазор выпускного клапана	0,004 - 0,006 дюймы (0,10 - 0,15 мм)

Технические данные для регулировки *	
Модель	350000, 380000
Зазор свечи зажигания	0,030 дюймы (0,76 мм)
Момент затяжки для свечи зажигания	180 дюймов/фунт (20 Нм)
Воздушный зазор катушки	0,008 - 0,012 дюймы (0,20 - 0,30 мм)
Зазор впускного клапана	0,004 - 0,006 дюймы (0,10 - 0,15 мм)
Зазор выпускного клапана	0,004 - 0,006 дюймы (0,10 - 0,15 мм)

* Мощность двигателя будет уменьшаться на 3,5 % для каждых 1000 футов (300 метров) над уровнем моря и на 1% для каждых 10° F (5,6° C) свыше 77° F (25° C). Двигатель будет работать удовлетворительно с углом наклона до 15°. Смотрите руководство оператора оборудования по безопасным допускам для работы на склонах.

Типовые запасные части ✓

Запасная часть	Номер изделия
Воздушный фильтр — с топливным баком	393957
Воздушный фильтр — за исключением модели 380000	394018
Воздушный фильтр — модель 380000	692519
Воздушный фильтр предварительной очистки — с топливным баком	271794
Воздушный фильтр предварительной очистки — за исключением модели 380000	272490
Воздушный фильтр предварительной очистки — модель 380000	692520
Масло — SAE 30	100028
Масляный фильтр — длина 6 см	492932
Масляный фильтр — длина 9 см	491056

Запасная часть	Номер изделия
Топливный фильтр — с топливным баком	808116
Топливный фильтр — с топливным насосом	691035
Топливный фильтр — без топливного насоса	298090
Топливная добавка	5041
Резисторная свеча зажигания	491055
Платиновая свеча зажигания с повышенным сроком службы	5066
Ключ для свечи зажигания	19374
Тестер зажигания	19368

✓ Мы рекомендуем обращаться к любому уполномоченному сервисному дилеру компании Briggs & Stratton для выполнения всех работ по техническому обслуживанию двигателя и его компонентов.

ОГРАНИЧЕННАЯ ГАРАНТИЯ

Компания Briggs & Stratton выполнит бесплатный ремонт или замену любой детали или любых деталей двигателя, которые являются дефектными из-за дефекта материала или изготовления, или того и другого. Транспортные расходы, связанные с доставкой изделия для его ремонта или замены по настоящей гарантии, должны быть оплачены покупателем. Гарантия действительна для сроков и условий, которые указаны ниже. Для проведения гарантийного обслуживания обратитесь к ближайшему Уполномоченному Сервисному Дилеру, указанному на нашей карте дилеров на Web-сайте: BRIGGSandSTRATTON.com или позвоните по телефону 1-800-233-3723, или по телефону, указанному в справочнике "Желтые страницы".

Никаких иных открыто заявленных гарантий не существует. Подразумеваемые гарантии, включая гарантии пригодности для торговли и соответствия конкретным применениям, ограничены сроком в один год с момента даты покупки или в той степени, в которой это разрешено законом. Все прочие подразумеваемые гарантии исключаются. Ответственность за случайный или косвенный ущерб исключается в той степени, в которой это разрешено законом. Некоторые штаты или государства не разрешают ограничивать период действия подразумеваемой гарантии, а некоторые штаты или государства не разрешают исключать или ограничивать ответственность за случайный или косвенный ущерб. Таким образом, приведенные выше исключения и ограничения, возможно, не будут распространяться на Вас. Данная гарантия дает Вам определенные юридические права. Вы также можете пользоваться иными правами, которые в разных штатах или государствах могут быть различными.

СТАНДАРТНЫЕ УСЛОВИЯ ГАРАНТИИ * ▲

Торговая марка/Тип изделия	Личное использование	Коммерческое использование
Vanguard™	2 года	2 года
Extended Life Series™; I/C®; Intek™ I/C®; Intek™ Pro; Professional Series™ с чугунной втулкой из материала Dura-Bore™; 850 Series™ с чугунной втулкой из материала Dura-Bore™; Snow Series MAX™ с чугунной втулкой из материала Dura-Bore™ Все другие двигатели, выпускаемые компанией Briggs & Stratton и имеющие чугунную втулку Dura-Bore™	2 года	1 год
Все другие двигатели, выпускаемые компанией Briggs & Stratton	2 года	90 дней

* Это наши стандартные условия гарантии, но иногда может существовать дополнительное гарантийное покрытие, которое не было определено на момент данной публикации. Касательно информации по текущим условиям гарантии, пожалуйста, посетите Web-сайт: BRIGGSandSTRATTON.COM или обратитесь к своему уполномоченному сервисному дилеру от компании Briggs & Stratton.

▲ Гарантия на двигатели, используемые в бытовых стационарных генераторных установках, дается только для личного использования. Данная гарантия не распространяется на двигатели, используемые в качестве источника электропитания для коммерческих предприятий. **Гарантия на двигатели, используемые в соревновательных целях, или на коммерческих или арендуемых транспортных средствах, не предоставляется.**

Гарантийный период начинается с даты покупки первым розничным покупателем или первым коммерческим пользователем конечного оборудования и заканчивается по истечении периода времени, указанного в приведенной выше таблице. "Личное использование" означает индивидуальное использование устройства на личном участке розничным покупателем. "Коммерческое использование" означает все иные варианты использования, включая те, которые связаны с коммерцией, извлечением дохода или сдачей в аренду. Как только двигатель побывал в коммерческом использовании, он сразу считается в рамках настоящих гарантийных условий двигателем "коммерческого использования".

Для обеспечения гарантийного обслуживания изделий компании Briggs & Stratton нет необходимости в гарантийном талоне. Сохраните Вашу квитанцию, подтверждающую покупку. Если при запросе на гарантийное обслуживание Вы не подтвердите документально дату первой покупки, то для определения гарантийного периода будет использована дата изготовления изделия.

В отношении Вашей гарантии

Компания Briggs & Stratton с готовностью выполнит гарантийный ремонт и принесет извинения за причиненное Вам беспокойство. Любой уполномоченный сервисный дилер может выполнять гарантийный ремонт. Большинство работ по ремонту выполняются в обычном порядке, но иногда требования на гарантийное обслуживание могут быть не обоснованы.

При разногласиях между Пользователем и Сервисным Дилером будет проведено дополнительное разбирательство для определения правомочности гарантийного требования. Попросите Сервисного Дилера представить все имеющиеся материалы на рассмотрение Дистрибьютору или Заводу-изготовителю. Если Дистрибьютор или Завод решат, что требование является оправданным, Пользователю возместят полную стоимость дефектных деталей. Во избежание недопонимания, которое может возникнуть между Пользователем и Дилером, ниже приведены некоторые примеры неполадок двигателя, не попадающих под действие гарантии.

Нормальный износ: Двигатели, как и любые другие механические устройства, требуют технического обслуживания и периодической замены частей и узлов. Гарантией не покрывается ремонт, необходимость в котором возникает в результате нормального износа двигателя или его отдельных частей в процессе эксплуатации. Гарантия не распространяется на такие случаи, когда дефекты двигателя явились результатом его неправильного использования, отсутствия надлежащего обслуживания или когда повреждения произошли в процессе транспортировки, погрузочно-разгрузочных работ, складирования двигателей или из-за их неправильной установки. Гарантия также аннулируется, если был удален серийный номер двигателя или если двигатель был видоизменен или модифицирован.

Недостаточное техническое обслуживание: На срок службы двигателя влияют условия, в которых он эксплуатируется, а также уход, который он получает. Такие механизмы, как мотокультиваторы, мотопомпы, газонокосилки, очень часто используются в пыльной среде или забиваются грязью, что может вызвать преждевременный износ двигателя. Подобный "износ", вызванный попаданием в двигатель пыли, грязи, наждачных крошек (после зачистки свечи) и иного абразивного вещества, не подпадает под гарантию.

Гарантия относится только к дефектам материала и/или производства двигателей, но не к замене или возмещению стоимости оборудования, на котором они могут устанавливаться. Гарантия также не распространяется на ремонтные работы, связанные со следующими причинами:

- 1 Использование деталей, не являющихся оригинальными деталями от компании "Briggs & Stratton".
- 2 Применением таких устройств управления оборудованием, которые препятствуют запуску двигателя, являющихся причиной его недифференциальной работы или сокращают его нормальный срок функционирования. (Обратитесь к изготовителю оборудования).

- 3 Подтеканием карбюраторов, стопорением клапанов, закупоркой топливопроводов или иными неисправностями, вызванными использованием несвежего или загрязненного бензина.
- 4 Заеданием или поломкой деталей вследствие работы двигателя с недостаточным количеством смазочного масла, с загрязненным смазочным маслом, а также в случае использования масла несоответствующей марки (проверяйте уровень масла и, при необходимости, добавляйте масло и заменяйте его через рекомендуемые интервалы). Система OIL GARD может не отключить работающий двигатель. Повреждение двигателя может быть вызвано тем, что не поддерживался нужный уровень масла.
- 5 Ремонт или регулировкой присоединяемых деталей или узлов, например, муфт, трансмиссий, дистанционного управления и т.п., изготовленных не компанией Briggs & Stratton.
- 6 Повреждением или износом деталей, вызванным попаданием в двигатель грязи из-за неправильной сборки пользователем воздушного фильтра или нерегулярным уходом за ним, или вследствие использования неоригинального картриджа и элемента воздушного фильтра. Через рекомендуемые интервалы выполняйте очистку и/или замену фильтра, как указано в руководстве для оператора.
- 7 Повреждением деталей из-за чрезмерной скорости работы двигателя или из-за перегрева, вызванного блокировкой маховика или ребер охлаждения травой, грязью, мусором, либо использованием двигателя в ограниченном пространстве без достаточной вентиляции. Очищайте двигатель от мусора через рекомендованные интервалы времени, как указано в руководстве для оператора.
- 8 Повреждением двигателя или конечного оборудования из-за чрезмерной вибрации, вызванной плохим закреплением двигателя на конечном оборудовании, плохим закреплением или неадекватной балансировкой лезвий, плохим закреплением или неадекватной балансировкой крыльчатки, неправильным соединением коленчатого вала с приводимыми устройствами, а также из-за чрезмерного повышения скорости работы или из-за иной неправильной эксплуатации двигателя.
- 9 Искривлением или поломкой коленвала из-за столкновения лезвия ротационной газонокосилки с твердым предметом, или из-за чрезмерного натяжения клиноременной передачи.
- 10 Обычной регулировкой или настройкой двигателя.
- 11 Повреждением двигателя или его компонентов, таких как камера сгорания, клапаны, седла клапанов, направляющие клапанов, или обгоранием обмоток стартера, вызванных использованием альтернативных видов топлива (сжиженный газ, природный газ, модифицированные бензины и т.п.).

Гарантийное обслуживание доступно только через уполномоченных сервисных дилеров компании Briggs & Stratton. Определите ближайшего к Вам уполномоченного сервисного дилера на нашей карте дилеров на Web-сайте: BRIGGSandSTRATTON.com или позвоните по телефону 1-800-233-3723, или по телефону, указанному в справочнике "Желтые страницы".

Splošni podatki

Priročnik vsebuje varnostne informacije, s katerimi vas seznanja z nevarnostmi in tveganji, povezanimi z motorji in kako se jim izogniti. Vsebuje tudi navodila za pravilno uporabo in nego motorja. Ker družba Briggs & Stratton nima vedno podatkov o tem, kateri stroj bo ta motor pogonjal, morate prebrati in razumeti ta navodila in navodila stroja. **Originalna navodila shranite za uporabo v prihodnje.**

Za nadomestne dele ali tehnično pomoč spodaj poleg datuma nakupa zabeležite številko modela, tipa in kodno številko motorja. Te številke se nahajajo na motorju (oglejte si stran **Deli in upravljalni vzvodi**).

Datum nakupa: _____
MM/DD/YYYY

Model motorja: _____
Model: Tip: Koda:

Informacija o določanju moči motorja

Največja moč posameznih modelov bencinskih motorjev je označena v skladu s SAE (Society of Automotive Engineers) kodo J1940 (Small Engine Power & Torque Rating Procedure), moč motorjev pa je bila ugotovljena in usklajena v skladu s SAE kodo J1995 (Revidirana izdaja 2002-05). Vrednost navora je merjena pri 3060 vrt./min.; vrednosti moči pa so merjene pri 3600 vrt./min. Dejanska največja moč motorja je manjša, nanjo pa, poleg drugega, vplivajo okoljski delovni pogoji in razlike med posameznimi motorji. Ob upoštevanju velikega izbora proizvodov, ki jih pogonjajo naši motorji, in vrste okoljevarstvenih zahtev, ki urejajo delovanje teh naprav, je mogoče, da bo vaš bencinski motor na določeni napravi deloval z močjo (trenutna neto moč), ki bo manjša od navedene moči. Razlika je posledica vrste vplivov, ki vključujejo, vendar niso omejeni samo na sledeče: dodatna oprema (zračni filter, izpuh, polnjenje, hlajenje, uplinjač, črpalka za gorivo itd.), omejitve uporabe, razmere delovnega okolja (temperatura, zračna vlaga, nadmorska višina) in razlika med posameznimi motorji. Zaradi omejitev proizvodnje in zmogljivosti lahko podjetje Briggs & Stratton zamenja močnejši motor za motorje te serije.

Varnost uporabnika

VARNOSTNI SIMBOLI IN SIMBOLI ZA UPRAVLJANJE



Varnostni opozorilni simbol se uporablja za identifikacijo varnostnih informacij o nevarnostih, ki bi lahko povzročile telesne poškodbe. Signalna beseda (NEVARNOST, OPOZORILO ali POZOR) se uporablja za opozorilni simbol za opozarjanje na verjetnost in potencialno resnost poškodbe. Poleg tega se lahko simbol za nevarnost uporablja za označevanje vrste nevarnosti.

NEVARNOST opozarja na tveganje, ki bo, če se mu ne izognemo, povzročilo smrt ali težko poškodbo.

OPOZORILO opozarja na tveganje, ki lahko v primeru, da se mu ne izognemo, povzroči smrt ali težko poškodbo.

POZOR opozarja na tveganje, ki lahko v primeru, da se mu ne izognemo, povzroči manjšo ali zmerno poškodbo.

OPOMBA opozarja na situacijo, ki lahko povzroči poškodbo izdelka.



OPOZORILO

Določeni sestavni deli v tem izdelku in povezani deli vsebujejo kemikalije, za katere je v državi Kaliforniji znano, da povzročajo raka, prirojene hibe ali druge genetske okvare. Po rokovanju si umijte roke.



OPOZORILO

Izpuh motorja pri tem izdelku vsebuje kemikalije, za katere je v Kaliforniji znano, da povzročajo raka, prirojene hibe ali druge genetske okvare.



OPOZORILO

Briggs & Stratton ne odobrava oz. dovoljuje uporabe teh motorjev na 3-kolesnih terenskih vozilih (ATV), motornih kolesih, gokartih za prosti čas/rekreacijo, zrakoplovnih izdelkih ali vozilih za uporabo na tekmovanjih. Tovrstna uporaba motorjev lahko povzroči poškodbo lastnine, hudo poškodbo (vključno s paralizo) ali celo smrt.

OPOMBA: Briggs & Stratton dobavi motorje brez olja. Pred zagonom motorja dolijte olje v skladu z navodili v tem priročniku. Če zažnete motor brez olja, se le-ta poškoduje in v tem primeru garancija ne velja.



OPOZORILO



Gorivo in njegovi hlapi so izjemno vnetljivi in eksplozivni. Ogenj ali eksplozija lahko povzročita težke opekline ali smrt.

Med dolivanjem goriva

- Izključite motor in pustite, da se le-ta ohlaja vsaj 2 minuti, preden odstranite pokrovček rezervoarja za gorivo.
- Rezervoar za gorivo polnite zunaj ali v dobro zračenem prostoru.
- Rezervoarja za gorivo ne napolnite preveč. Da omogočite širjenje goriva, le-to ne sme segati prek spodnjega dela vratu rezervoarja za gorivo.
- Gorivo hranite proč od virov iskenja, odprtega ognja, kontrolnih lučk, toplote in drugih virov vžiga.
- Redno preverjajte morebitno puščanje vodov za gorivo, rezervoarja, pokrovčka in priključkov. Po potrebi jih zamenjajte.
- Če se gorivo razlije, počakajte, da izhlapi, preden zažnete motor.

Pri zagonu motorja

- Poskrbite, da bodo vžigalna svečka, izpuh, pokrovček rezervoarja za gorivo in zračni filter (če obstaja) na svojem mestu in pritrjeni.
- Ne zaganjajte motorja, če svečka ni vstavljena.
- Če gorivo zalije motor, nastavite dušilno loputo (če obstaja) v položaj OPEN/RUN, regulator plina (če obstaja) premaknite v položaj FAST in zaganjajte, dokler motor ne vžge.

Med uporabo stroja

- Motorja ali stroja ne nagibajte pod kotom, ki bi povzročil razlitje goriva.
- Ne uporabljajte dušilne lopute uplinjača za zaustavitev motorja.
- Motorja ne zaganjajte oziroma ga ne pustite teči, ko je odstranjen sestav zračnega filtra (če obstaja) ali zračni filter (če obstaja).

Pri menjavi olja

- Če olje izlivate prek cevi za dolivanje olja na vrhu, mora biti rezervoar za gorivo prazen, ker lahko gorivo izteka in povzroči požar ali eksplozijo.

Pri prevozu stroja

- Prevažajte s PRAZNIIM rezervoarjem za gorivo ali z ZAPRTIM zapornim ventilom za gorivo.

Pri shranjevanju goriva ali stroja z gorivom v rezervoarju

- Hranite proč od odprtega ognja, peči, grelcev za vodo ali drugih naprav, ki imajo kontrolno lučko ali drugi vir vžiga, ker lahko vžgejo hlape goriva.



OPOZORILO



Med zaganjanjem motorja pride do iskenja. Iskenje lahko vžge bližnje vnetljive pline. Lahko pride do eksplozije in ognja.

- Če v okolici pušča zemeljski ali utekočinjen naftni plin, ne zaganjajte motorja.
- Ne uporabljajte zagonskih tekočin pod pritiskom, ker so hlapi vnetljivi.



OPOZORILO



Motorji oddajajo ogljikov monoksid, strupen plin brez vonja in barve.
Vdihavanje ogljikovega monoksida lahko povzroči slabost, omedlevico ali smrt.

- Motor zaganjajte in pustite teči na prostem.
- Motorja ne zaganjajte oz. ga ne puščajte teči v zaprtem prostoru, tudi pri odprtih vratih ali oknih.



OPOZORILO



Zaradi hitrega povratnega vleka zaganjalne vrvi (povratni sunek) potegne roko proti motorju hitreje, kot lahko spustite ročko.
Lahko pride do zloma kosti, zmečkanin ali izpaha.

- Ko zaganjate motor, počasi vlecite zaganjalno vrv, dokler ne začutite upora, nato pa jo povlecite hitro, da preprečite povratni sunek.
- Pred zaganjanjem motorja odstranite vse zunanje obremenitve stroja/motorja.
- Neposredno priključeni sestavni deli opreme, kot so na primer rezila, rotorji, jermenice, verižniki itd, morajo biti dobro pritrjeni.



OPOZORILO



Vrtljivi deli lahko zadenejo ali se zapletejo v roke, noge, lase, oblačila ali dodatke.

Lahko pride do travmatične amputacije ali težkih ran.

- Med delovanjem stroja morajo biti nameščena varovala.
- Rok in nog ne približujte vrtljivim delom.
- Spnite si dolge lase in odstranite nakit.
- Ne nosite ohlapnih oblačil, opletajočih vrvic ali predmetov, ki bi se lahko ujeli.



OPOZORILO



Delujoči motorji se segrevajo. Deli motorja, posebej izpuh, se močno segrejejo.

Ob dotiku lahko pride do težkih opeklin.



Vnetljivi odpadki, kot so listje, trava, dračje itd., se lahko vnamejo.

- Pustite, da se izpuh, valj motorja in hladilna rebra ohladijo, preden se jih dotaknete.
- Odstranite material, ki se je nabral na območju izpuha in valja.
- Po določilih poglavja 4442 Zakona o javnih sredstvih države Kalifornije gre za kršitev, če uporabljate ali upravljate stroj na gozdnatih, grmičastih ali travnatih predelih, če na izpušnem sistemu ni nameščen brezhiben lovilec isker, kot je opredeljeno v Poglavju 4442. Druge države ali zvezne oblasti imajo lahko podobne zakone. Obrnite se na proizvajalca, trgovca ali preprodajalca originalne opreme, da vam priskrbi originalni lovilec isker za izpušni sistem, ki je nameščen na motorju.



OPOZORILO



Nenamerno iskenje lahko povzroči ogenj ali električni udar.

Nenamerni zagon lahko povzroči zapletanje, travmatično amputacijo ali rano.



Nevarnost požara



Pred nastavljanjem ali popravili:

- Snemite kabel vžigalne svečke in ga hranite proč od svečke.
- Odklopite negativni pol akumulatorja (samo pri motorjih z električnim zagonom).
- Uporabljajte le pravo orodje.
- Obratov motorja ne povečujte s spreminjanjem krmilne vzmeti, povezav ali drugih delov.
- Nadomestni deli morajo biti enaki in nameščeni na enakem položaju kot originalni deli. Zaradi neoriginalnih delov lahko pride do slabšega delovanja, okvare enote in poškodb.
- Vztrajnika ne udarjajte s kladivom ali trdim predmetom, ker lahko kasneje med delovanjem razpade.

Pri preizkušanju iskenja:

- Uporabljajte odobreno napravo za preizkušanje iskre.
- Iskre ne preverjajte z odstranjeno svečko.

Deli in regulatorji

Sliko primerjajte **1** z motorjem, da se seznanite z mesti različnih delov in regulatorjev.

- A. Identifikacija motorja
Model Tip Koda
- B. Vžigalna svečka
- C. Zračni filter (brez rezervoarja za gorivo)
- D. Zračni filter (z rezervoarjem za gorivo)
- E. Merilna palica za olje
- F. Odprtina za polnjenje olja
- G. Oljni filter (dodatno)
- H. Čep za izpust olja
- I. Tipalo tlaka olja
- J. Ščitnik za prste
- K. Električni zaganjalnik
- L. Povratni zaganjalnik (dodatno)
- M. Uplinjač
- N. Izpuh (dodatno)
- O. Črpalka za gorivo
- P. Stikalo zaganjalnika *
- Q. Regulator plina *
- R. Regulator dušilne lopute *
- S. Filter za gorivo (dodatno)
- T. Rezervoar za gorivo (dodatno)
- U. Zaporni ventil za gorivo (dodatno) *
- V. Stikalo za zaustavitev (dodatno) *
- W. Hladilnik olja (dodatno)

* Nekateri motorji in stroji imajo regulatorje za daljinsko upravljanje. Za mesto in delovanje regulatorjev si oglejte priročnik stroja.

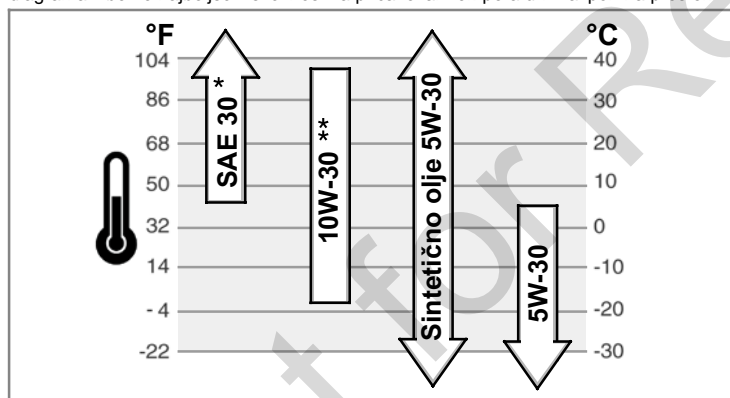
Delovanje

Količina olja (oglejte si poglavje **Specifikacije**)

Priporočila za olje

Za najboljše delovanje priporočamo uporabo olja, ki ga določa garancija podjetja Briggs & Stratton. Sprejemljiva so tudi druga visokokakovostna detergentna olja, če so označena za uporabo SF, SG, SH, SJ ali višje. Ne uporabljajte posebnih dodatkov.

Glede na zunanje temperature se določi ustrezna viskoznost olja za motor. S pomočjo diagrama izberite najboljšo viskoznost za pričakovan temperaturni razpon na prostem.



* Pod 40°F (4°C) bo zaradi uporabe olja z oznako SAE 30 motor težje zagnati.

** Nad 80°F (27°C) se bo zaradi uporabe olja z oznako 10W-30 povečala poraba olja. Pogosteje preverjajte raven olja.

Preverjanje/dolivanje olja - **slika 2**

Pred dolivanjem ali preverjanjem olja

- Motor postavite v vodoravno lego.
 - Z območja odprtine za dolivanje olja očistite umazanijo.
1. Izvlecite merilno palico za olje (A) in jo obrišite s čisto krpo (slika 2).
 2. Povsem vstavite merilno palico.
 3. Izvlecite merilno palico za olje in preverite raven olja. Olje mora segati do oznake FULL (B) na merilni palici.
 4. Če je olja premalo, ga počasi nalivajte v odprtino za dolivanje olja (C). **Ne napolnite preveč.** Po dolitem olju počakajte eno minuto in nato ponovno preverite raven olja.
 5. Povsem vstavite merilno palico.

Tlak olja

Če je tlak olja prenizek, tlačno stikalo (če obstaja) zaustavi motor ali aktivira opozorilno napravo. Če pride do tega, zaustavite motor in z merilno palico za olje preverite raven olja.

Če je raven olja pod oznako ADD, dolijte olje, da se bo raven olja dvignila do oznake FULL. Preden nadaljujete z uporabo, zaženite motor in preverite, ali je tlak ustrezen.

Če je raven olja med oznakama ADD in FULL, **ne zaganjajte** motorja. Za odpravo težave s tlakom olja se obrnite na pooblaščen servis za izdelke Briggs & Stratton.

Priporočila za gorivo

Gorivo mora izpolnjevati naslednje zahteve:

- Čist, svež, neosvinčen bencin.
- Najmanj 87 oktanov /87 AKI (91 RON). Uporaba na visoki nadmorski višini, oglejte si spodaj.
- Sprejemljiv je bencin z vsebnostjo etanola do 10 % (gasohol) ali vsebnostjo MTBE (metil terciarni butil eter) do 15 %.

OPOMBA: Ne uporabljajte neodobrenega bencina, kot je E85. Ne mešajte olja v bencin in ne spreminjajte motorja za delovanje na alternativna goriva. Na ta način se poškodujejo deli motorja in **garancija za motor ne velja.**

Da bi sistem za gorivo zaščitili pred nabiranjem usedlin, v gorivo vmešajte stabilizator za gorivo. Oglejte si **Shranjevanje**. Niso vsa goriva enaka. Če se pojavijo težave pri zagonu ali delovanju, zamenjajte dobavitelja goriva ali znamko. Ta motor je odobren za delovanje na bencin. Sistem za nadzor emisij za ta motor je EM (Spremembe motorja).

Visoka nadmorska višina

Pri nadmorskih višinah prek 1524 metrov je sprejemljiv najmanj 85-oktanski/85 AKI (89 RON) bencin. Za ohranitev emisijske ustreznosti je potrebna nastavitve za visoke nadmorske višine. Delovanje brez te nastavitve pripelje do slabše zmogljivosti, povešane porabe goriva in povečanih emisij. Za informacije o nastavitvi za visoke nadmorske višine se obrnite na pooblaščenega trgovca Briggs & Stratton.

Delovanje motorja pri nadmorskih višinah pod 762 metri s kompletom za uporabo na visoki nadmorski višini ni priporočljivo.

Dolivanje goriva - **slika 3**



OPOZORILO



Gorivo in njegovi hlapi so izjemno vnetljivi in eksplozivni. Ogenj ali eksplozija lahko povzročita težke opekline ali smrt.



Med dolivanjem goriva

- Izključite motor in pustite, da se le-ta ohlaja vsaj 2 minuti, preden odstranite pokrovček rezervoarja za gorivo.
- Rezervoar za gorivo polnite zunaj ali v dobro zračenem prostoru.
- Rezervoarja za gorivo ne napolnite preveč. Da omogočite širjenje goriva, le-ta ne sme segati prek spodnjega dela vratu rezervoarja za gorivo.
- Gorivo hranite proč od virov iskenja, odprtega ognja, kontrolnih lučk, toplote in drugih virov vžiga.
- Redno preverjajte morebitno puščanje vodov za gorivo, rezervoarja, pokrovčka in priključkov. Po potrebi jih zamenjajte.
- Če se gorivo razlije, počakajte, da izhlapi, preden zaženete motor.

1. Z območja pokrovčka rezervoarja za gorivo očistite umazanijo in delce. Odstranite pokrovček rezervoarja za gorivo (A, slika 3).
2. Rezervoar za gorivo (B) napolnite z gorivom. Da omogočite širjenje goriva, le-ta ne sme segati prek spodnjega dela vratu rezervoarja za gorivo (C).
3. Ponovno namestite pokrovček rezervoarja za gorivo.

Zagon motorja - **slika 4**



OPOZORILO



Zaradi hitrega povratnega vleka zaganjalne vrvi (povratni sunek) potegne roko proti motorju hitreje, kot lahko spustite ročko. Lahko pride do zloma kosti, zmečkanin ali izpaha.

- Ko zaganjate motor, počasi vlečite zaganjalno vrv, dokler ne začutite upora, nato pa jo povlecite hitro, da preprečite povratni sunek.



OPOZORILO



Gorivo in njegovi hlapi so izjemno vnetljivi in eksplozivni. Ogenj ali eksplozija lahko povzročita težke opekline ali smrt.



Pri zagonu motorja

- Poskrbite, da bodo vžigalna svečka, izpuh, pokrovček rezervoarja za gorivo in zračni filter (če obstaja) na svojem mestu in pritrjeni.
- Ne zaganjajte motorja, če svečka ni vstavljena.
- Če gorivo zalije motor, nastavite dušilno loputo (če obstaja) v položaj OPEN/RUN, regulator plina (če obstaja) premaknite v položaj FAST in zaganjajte, dokler se motor ne zažene.



OPOZORILO






Motorji oddajajo ogljikov monoksid, strupen plin brez vonja in barve. Vdihavanje ogljikovega monoksida lahko povzroči slabost, omedlevico ali smrt.

- Motor zaganjajte in pustite teči na prostem.
- Motorja ne zaganjajte oz. ga ne puščajte teči v zaprtem prostoru, tudi pri odprtih vratih ali oknih.

OPOMBA: Briggs & Stratton dobavi motorje brez olja. Pred zagonom motorja dolijte olje v skladu z navodili v tem priročniku. Če zaženete motor brez olja, se le-ta poškoduje in v tem primeru garancija ne velja.

Opomba: Nekateri motorji in stroji imajo regulatorje za daljinsko upravljanje. Za mesto in delovanje regulatorjev si oglejte priročnik stroja.


1. Preverite raven olja. Oglejte si poglavje **Preverjanje/dolivanje olja**.
2. Poskrbite, da bodo pogonski regulatorji, če obstajajo, sproščeni.
3. Zaporni ventil za gorivo (A), če obstaja, obrnite v odprti položaj (slika 4).
4. Stikalo za zaustavitev (F), če obstaja, premaknite v položaj za vklop.
5. Regulator plina (B) premaknite v položaj FAST . Med delovanjem motorja naj bo regulator plina v položaju za hitro delovanje .
6. Ročico dušilne lopute (C) plina premaknite v položaj CHOKE .

Opomba: Dušilna loputa običajno ni potrebna, če ponovno zaganjate topel motor.

7. **Povratni zaganjalnik:** Stikalo na ključ (D), če obstaja, obrnite v položaj za delovanje.
8. **Povratni zaganjalnik:** Močno držite ročico zaganjalne vrvi (E). Počasi jo vlecite, dokler ne začutite upora, nato jo povlecite hitro.
Opomba: Če se motor po več poskusih zagona ne zažene, pojdite na spletno stran **BRIGGSandSTRATTON.COM** ali pokličite **1-800-233-3723** (v ZDA).



OPOZORILO: Zaradi hitrega povratnega vleka zaganjalne vrvi (povratni sunek) potegne roko proti motorju hitreje, kot lahko spustite ročko. Lahko pride do zloma kosti, zmečkanin ali izpaha. Ko zaganjate motor, počasi vlecite zaganjalno vrv, dokler ne začutite upora, nato pa jo povlecite hitro, da preprečite povratni sunek.

9. **Električni zagon:** Stikalo za električni zagon (D) obrnite v položaj za vklop/zagon.
Opomba: Če se motor po več poskusih zagona ne zažene, pojdite na spletno stran **BRIGGSandSTRATTON.COM** ali pokličite **1-800-233-3723** (v ZDA).
OPOMBA: Zaradi daljše življenjske dobe zaganjalnika motor zaganjajte v kratkih intervalih (največ pet sekund). Med intervali počakajte po eno minuto.
10. Ko se motor segreje, regulator dušilne lopute (C) premaknite v položaj za delovanje .

Zaustavitev motorja - slika 4




OPOZORILO



Gorivo in njegovi hlapi so izjemno vnetljivi in eksplozivni. Ogenj ali eksplozija lahko povzročita težke opekline ali smrt.

- Ne uporabljajte dušilne lopute uplinjača za zaustavitev motorja.

1. Regulator plina (B) premaknite v položaj za počasno delovanje  in obrnite stikalo na ključ (D) v položaj za izklop (slika 4). Odstranite ključ in ga hranite na varnem izven doseg a otrok.
2. Stikalo za zaustavitev (F), če obstaja, premaknite v položaj za izklop.
3. Po zaustavitvi motorja zaprite zaporni ventil za gorivo (A), če obstaja.

Vzdrževanje

Priporočamo, da se obrnete na katerega koli pooblaščenega trgovca Briggs & Stratton za vsa vzdrževalna dela in servisiranje motorja in njegovih delov.

OPOMBA: Za pravilno delovanje morajo vsi sestavni deli motorja ostati na svojem mestu.

Nadzor emisij

Vzdrževalna dela, zamenjave ali popravila naprav in sistemov nadzora emisij lahko izvrši vsaka poslovalnica za popravila izvencestnih motorjev ali posameznik. Če pa želite "brezplačen" servis delov za nadzor emisij, ga mora izvršiti s strani tovarne pooblaščen trgovec. Oglejte si garancijo za emisije.



OPOZORILO



Nenamerno iskenje lahko povzroči ogenj ali električni udar.



Nenamerni zagon lahko povzroči zapletanje, travmatično amputacijo ali rano.



Nevarnost požara

Pred nastavljanjem ali popravili:

- Snemite kabel vžigalne svečke in ga hranite proč od svečke.
- Odklopite negativni pol akumulatorja (samo pri motorjih z električnim zagonom).
- Uporabljajte le pravo orodje.
- Obratov motorja ne povečujte s spreminjanjem krmilne vzmeti, povezav ali drugih delov.
- Nadomestni deli morajo biti enaki in nameščeni na enakem položaju kot originalni deli. Zaradi neoriginalnih delov lahko pride do slabšega delovanja, okvare enote in poškodb.
- Vztrajnika ne udarjajte s kladivom ali trdim predmetom, ker lahko kasneje med delovanjem razpade.

Pri preizkušanju iskenja:

- Uporabljajte odobreno napravo za preizkušanje iskre.
- Iskre ne preverjajte z odstranjeno svečko.

Tabela vzdrževanja

Po prvih 5-ih urah

- Zamenjajte olje

Vsaki 8 ur ali dnevno

- Preverite raven motornega olja
- Očistite območje okrog izpuha in upravljalnih vzvodov

Vsaki 100 ur ali letno

- Očistite zračni filter *
- Očistite predfilter (če obstaja) *
- Zamenjajte motorno olje in filter
- Zamenjajte vžigalno svečko
- Preglejte izpuh in lovilec isker
- Preverite reže ventilov **

Vsaki 400 ur ali letno

- Zamenjajte zračni filter
- Zamenjajte filter za gorivo
- Očistite sistem za zračno hlajenje *
- Očistite rebra hladilnika olja *

* V prašnih razmerah ali ob prisotnosti delcev v zraku očistite večkrat.

** Ni potrebno, razen če opazite težave pri delovanju motorja.

Nastavitev uplinjača

Uplinjača ne nastavljajte sami. Uplinjač je tovarniško nastavljen za učinkovito delovanje v večini razmer. Če so potrebne nastavitve, se za servisno pomoč obrnite na pooblaščen servis podjetja Briggs & Stratton.

OPOMBA: Proizvajalec stroja, v katerega je vgrajen ta motor, določi najvišje obrate delovanja motorja. **Ne prekoračite** teh obratov.

Zamenjava vžigalne svečke - slika 5

Preverite razmak (A, slika 5) z merilnim lističem (B). Po potrebi razmak ponastavite. Vžigalno svečko namestite in privijte do priporočenega zateznega momenta. Za nastavitev razmaka ali zatezni moment si oglejte poglavje **Specifikacije**.

Opomba: Na nekaterih področjih zahteva krajevna zakonodaja uporabo uporabne svečke za slabljenje signalov vžiga. Če je bil motor v začetku opremljen z uporabno svečko, uporabite isto vrsto svečke za zamenjavo.

Preglejte izpuh in lovilec isker - slika 6



OPOZORILO



Delujoči motorji se segrevajo. Deli motorja, posebej izpuh, se močno segrejejo.



Ob dotiku lahko pride do težkih opeklin.

Vnetljivi odpadki, kot so listje, trava, dračje itd., se lahko vnamejo.

- Pustite, da se izpuh, valj motorja in hladilna rebra ohladijo, preden se jih dotaknete.
- Odstranite material, ki se je nabral na območju izpuha in valja.
- Po določenih poglavja 4442 Zakona o javnih sredstvih države Kalifornije gre za kršitev, če uporabljate ali upravljate stroj na gozdnatih, grmičastih ali travnatih predelih, če na izpušnem sistemu ni nameščen brezhiben lovilec isker, kot je opredeljeno v Poglavju 4442. Druge države ali zvezne oblasti imajo lahko podobne zakone. Obrnite se na proizvajalca, trgovca ali preprodajalca originalne opreme, da vam priskrbi originalni lovilec isker za izpušni sistem, ki je nameščen na motorju.

Odstranite material, ki se je nabral na območju izpuha in valja. Preglejte izpuh (A, slika 6) zaradi morebitnih razpok, zarjavlosti ali drugih poškodb. Odstranite lovilec isker (B), če obstaja, in preverite morebitne poškodbe ali nakopičenost saj. Če odkrijete poškodbe, pred začetkom uporabe namestite nadomestne dele.



OPOZORILO: Nadomestni deli morajo biti enaki in nameščeni na enakem položaju kot originalni deli. Zaradi neoriginalnih delov lahko pride do slabšega delovanja, okvare enote in poškodb.

Zamenjava olja - slika 8 9

Uporabljeno olje je nevaren odpadni proizvod in ga je treba odlagati na pravilen način. Ne odlagajte ga z gospodinjstvi odpadki. Za varno odlaganje/recikliranje se obrnite na krajevne oblasti, servisni center ali pooblaščenega trgovca.

Odstranjevanje olja

1. Ob ugasnjenem, a še vedno toplen motorju snemite kabel vžigalne svečke (A) in ga hranite proč od svečke (slika 8).
2. Odstranite čep za izpust olja (B, slika 9). Olje izpustite v odobreno posodo.
3. Po izpustu olja namestite in privijte čep za izpust olja.

Zamenjava oljnega filtra (če obstaja)

Nekateri modeli so opremljeni z oljnim filtrom. Intervale za zamenjavo najdete v tabeli **vzdrževanja**.

1. Olje izpustite iz motorja. Oglejte si poglavje **Odstranjevanje olja**.
2. Odstranite oljni filter (C) in ga pravilno zavrzite. Oglejte si sliko 9.
3. Preden namestite nov oljni filter, rahlo namažite tesnilo filtra s svežim čistim oljem.
4. Oljni filter privijajte ročno, da pride tesnilo v stik z adapterjem filtra, nato filter privijte za 1/2 do 3/4 obrata.
5. Dolijte olje. Oglejte si poglavje **Dolivanje olja**.
6. Zaženite motor in pustite, da teče. Ko se motor ogreva, preverite morebitno iztekanje olja.
7. Zaustavite motor in preverite raven olja. Olje mora segati do oznake FULL (F) na merilni palici (slika 8).

Dolivanje olja

- Motor postavite v vodoravno lego.
 - Z območja odprtine za dolivanje olja očistite umazanijo.
 - Za količino olja si oglejte poglavje **Specifikacije**.
1. Izvlecite merilno palico za olje (D) in jo obrišite s čisto krpo (slika 8).
 2. Počasi nalivajte olje v odprtino za dolivanje olja (E). **Ne napolnite preveč**. Po dolitem olju počakajte eno minuto in nato preverite raven olja.
 3. Vstavite in privijte merilno palico za olje.
 4. Izvlecite merilno palico za olje in preverite raven olja. Olje mora segati do oznake FULL (F) na merilni palici.
 5. Vstavite in privijte merilno palico za olje.

Servisiranje zračnega filtra - slika 11 12



OPOZORILO



Gorivo in njegovi hlapi so izjemno vnetljivi in eksplozivni. Ogenj ali eksplozija lahko povzročita težke opekline ali smrt.



- Motorja ne zaganjajte oziroma ga ne pustite teči, ko je odstranjen sestav zračnega filtra (če obstaja) ali zračni filter (če obstaja).

OPOMBA: Za čiščenje filtra ne uporabljajte stisnjene zraka ali topil. Zrak pod tlakom lahko poškoduje filter, topila pa ga raztopijo.

Prikazani sta dve vrsti sistemov zračnih filtrov. Za servisne zahteve si oglejte **Tabelo vzdrževanja**.

1. **Modeli brez rezervoarja za gorivo:** Odprite zapape (A) in odstranite pokrov (B). Oglejte si sliko 11.
2. **Modeli z rezervoarjem za gorivo:** Odstranite gumb (C) in pokrov (B). Oglejte si sliko 12.
3. Odstranite matico (D) in zadrževalnik (E). Oglejte si sliko 11 in 12.
4. Odstranite zračni filter (F).
5. Odstranite predfilter (G), če obstaja, z zračnega filtra.
6. Če želite zrahljati in odstraniti delce, z zračnim filtrom rahlo potolcite ob trdo površino. Če je zračni filter prekomerno umazan, ga zamenjajte z novim.
7. Predfilter operite s tekočim detergentom in vodo. Nato pustite, da se povsem posuši na zraku. **Ne** oljite predfiltera.
8. Suhi predfilter namestite na zračni filter.
9. Namestite zračni filter in pričvrstite z zadrževalnikom in matico.
10. Namestite in pričvrstite pokrov.

Zamenjava filtra za gorivo - slika 7



OPOZORILO



Gorivo in njegovi hlapi so izjemno vnetljivi in eksplozivni. Ogenj ali eksplozija lahko povzročita težke opekline ali smrt.



- Gorivo hranite proč od virov iskrenja, odprtega ognja, kontrolnih lučk, toplote in drugih virov vžiga.
- Redno preverjajte morebitno puščanje vodov za gorivo, rezervoarja, pokrovčka in priključkov. Po potrebi jih zamenjajte.
- Pred zamenjavo filtra za gorivo izpraznite rezervoar za gorivo ali zaprite zaporni ventil za gorivo.
- Nadomestni deli morajo biti enaki in nameščeni na enakem položaju kot originalni deli
- Če se gorivo razlije, počakajte, da izhlapi, preden zaženete motor.

1. Pred zamenjavo filtra za gorivo (A, slika 7), če obstaja, izpraznite rezervoar za gorivo ali zaprite zaporni ventil za gorivo. V nasprotnem primeru gorivo lahko izteče in povzroči požar ali eksplozijo.
2. S kleščami stisnite jezičke (B) na objemkah (C), nato pa objemki potisnite stran od filtra za gorivo. Voda za gorivo (D) obrnite in povlecite s filtra za gorivo.
3. Voda za gorivo preverite zaradi morebitnih razpok ali luknjic. Po potrebi ju zamenjajte.
4. Filter za gorivo zamenjajte z originalnim nadomestnim filtrom.
5. Voda za gorivo pričvrstite z objemkama, kot je prikazano.

Opomba: Motorji, ki so opremljeni s tovarniško nameščenim rezervoarjem za gorivo, imajo lahko v njem nameščen filter (E), oglejte si sliko 3.

Čiščenje sistema za zračno hlajenje - slika 10



OPOZORILO



Delujoči motorji se segrevajo. Deli motorja, posebej izpuh, se močno segrejejo.



Ob dotiku lahko pride do težkih opeklin.

Vnetljivi odpadki, kot so listje, trava, dračje itd., se lahko vnamejo.

- Pustite, da se izpuh, valj motorja in hladilna rebra ohladijo, preden se jih dotaknete.
- Odstranite material, ki se je nabral na območju izpuha in valja.

OPOMBA: Za čiščenje motorja ne uporabljajte vode. Voda lahko onesnaži sistem za gorivo. Motor čistite s ščetko ali suho krpo.

Ta motor je zračno hlajen. Umazanija ali delci lahko ovirajo pretok zraka in povzročijo prekomerno segrevanje motorja, posledica česar je slabo delovanje in skrajšana življenjska doba motorja.

S ščetko ali suho krpo odstranite delce s ščitnika za prste (A). Regulator, vzmeti in krmilni elementi (B) naj bodo čisti. Na območju okrog izpuha in za njim (C) naj ne bo vnetljivih odpadkov (slika 10). Na rebrih hladilnika olja (D) naj ne bo umazanije in odpadkov.

Shranjevanje



OPOZORILO

Gorivo in njegovi hlapi so izjemno vnetljivi in eksplozivni. Ogenj ali eksplozija lahko povzročita težke opekline ali smrt.

Pri shranjevanju goriva ali stroja z gorivom v rezervoarju

- Hranite proč od odprtega ognja, peči, grelcev za vodo ali drugih naprav, ki imajo kontrolno lučko ali drugi vir vžiga, ker lahko vžgejo hlape goriva.

Sistem za gorivo

Gorivo se postara, ko je shranjeno več kot 30 dni. Staro gorivo povzroči nabiranje kislin in usedlin v sistemu za gorivo ali na pomembnih delih uplinjača. Za ohranitev svežega

goriva uporabite Briggs & Strattonov stabilizator za gorivo FRESH START®, ki je na voljo kot tekoči dodatek ali kapalni vložek s koncentratom.

Bencina ni treba izpustiti iz motorja, če je stabilizator za gorivo dodan v skladu z navodili. Motor naj deluje 2 minuti, da stabilizator steče skozi sistem za gorivo. Motor in gorivo sta lahko shranjena do 24 mesecev.

Če bencinu v motorju ni bil dodan stabilizator za gorivo, ga morate izpustiti v odobreno posodo. Motor pustite teči, dokler se ne zaustavi zaradi pomanjkanja goriva. Uporaba stabilizatorja za gorivo v posodi za shranjevanje je priporočljiva za ohranitev svežosti.

Motorno olje

Ko je motor še topel, zamenjajte motorno olje.

Odpravljanje težav

Ali potrebujete pomoč? Pojdite na spletno stran **BRIGGSandSTRATTON.COM** ali pokličite **1-800-233-3723**.

Specifikacije

Specifikacije motorja	
Model	290000
Gibna prostornina	479 cm ³
Vrtina valja	68 mm
Hod bata	66 mm
Kapaciteta posode za olje	1,36 - 1,42 l

Specifikacije motorja	
Model	300000
Gibna prostornina	479 cm ³
Vrtina valja	68 mm
Hod bata	66 mm
Kapaciteta posode za olje	1,36 - 1,42 l

Specifikacije motorja	
Model	350000
Gibna prostornina	570 cm ³
Vrtina valja	72 mm
Hod bata	70 mm
Kapaciteta posode za olje	1,36 - 1,42 l

Specifikacije motorja	
Model	380000
Gibna prostornina	627 cm ³
Vrtina valja	75,5 mm
Hod bata	70 mm
Kapaciteta posode za olje	1,36 - 1,42 l

Nastavitvene specifikacije *	
Model	290000, 300000
Razmak med elektrodama vžigalne svečke	0,76 mm
Zatezni moment za vžigalno svečko	20 Nm
Zračna rega ohišja	0,20 - 0,30 mm
Reža sesalnega ventila	0,10 - 0,15 mm
Reža izpušnega ventila	0,10 - 0,15 mm

Nastavitvene specifikacije *	
Model	350000, 380000
Razmak med elektrodama vžigalne svečke	0,76 mm
Zatezni moment za vžigalno svečko	20 Nm
Zračna rega ohišja	0,20 - 0,30 mm
Reža sesalnega ventila	0,10 - 0,15 mm
Reža izpušnega ventila	0,10 - 0,15 mm

* Moč motorja se zmanjša za 3,5 % na vsakih 300 metrov dodatne nadmorske višine in 1 % na vsakih 10° F (5,6° C) nad 77° F (25° C). Motor bo deloval zadovoljivo pod kotom do 15°. Za varno dovoljeno delovno območje na nagibih si oglejte priročnik za uporabo naprave.

Običajni nadomestni deli

Nadomestni del	Številka dela
Zračni filter – z rezervoarjem za gorivo	393957
Zračni filter – razen model 380000	394018
Zračni filter – model 380000	692519
Predfilter za zračni filter – z rezervoarjem za gorivo	271794
Predfilter za zračni filter – razen model 380000	272490
Predfilter za zračni filter – model 380000	692520
Olje – SAE 30	100028
Oljni filter – 6 cm dolg	492932
Oljni filter – 9 cm dolg	491056

Nadomestni del	Številka dela
Filter za gorivo – z rezervoarjem za gorivo	808116
Filter za gorivo – s črpalko za gorivo	691035
Filter za gorivo – brez črpalke za gorivo	298090
Dodatek za gorivo	5041
Uporovna vžigalna svečka	491055
Platinasta vžigalna svečka z dolgo življenjsko dobo	5066
Ključ za pritrditev vžigalne svečke	19374
Naprava za preizkušanje iskre	19368

➤ Priporočamo, da se obrnete na pooblaščen servis Briggs & Stratton za vsa vzdrževalna dela in servisiranje motorja in njegovih delov.

OMEJENA GARANCIJA

Družba Briggs & Stratton bo brezplačno popravila ali nadomestila vsak del ali dele motorja z napakami v materialu ali izdelavi ali obojim. Stroške za transport izdelkov, ki so bili posredovani v popravilo ali zamenjavo pod to garancijo, mora nositi kupec. Ta garancija velja za časovno obdobje in pod pogoji, ki so navedeni v nadaljevanju. Za popravilo v garancijskem roku poiščite najbližjo pooblaščenno servisno delavnico na zemljevidu naših licenčnih partnerjev na BRIGGSandSTRATTON.COM oziroma pokličite 1-800-233-3723 ali poiščite številko v 'Rumenih straneh'.

Ne obstaja nobena druga izrecna garancija. Nakazane garancije, vključno z garancijami tržnosti in uporabnosti za določen namen, so omejene na čas enega leta od nakupa oziroma do roka, ki je zakonsko določen. Vse druge nakazane garancije so izključene. Odgovornost za naključno ali posledično škodo je izključena do meje, ki jo dovoljuje zakon. Nekatere države ne dovoljujejo omejitve trajanja nakazane garancije, druge pa ne dovoljujejo omejitve ali izključitve naključnih in konsekvencnih - posledičnih poškodb, zato ni nujno, da se zgoraj omenjene omejitve in izključitve nanašajo na vas. Ta garancija vam zagotavlja posebne zakonske pravice, lahko pa imate še druge pravice, ki se razlikujejo od države do države.

STANDARDNI GARANCIJSKI POGOJI * ▲

Znamka/Tip izdelka	Domača uporaba	Komercialna uporaba
Vanguard™	2 leti	2 leti
Extended Life Series™; I/C®; Intek™ I/C®; Intek™ Pro; Professional Series™ z Dura-Bore™ pušo iz litega železa; 850 Series™ z Dura-Bore™ pušo iz litega železa; Snow Series MAX™ z Dura-Bore™ pušo iz litega železa Vsi drugi Briggs & Strattonovi motorji imajo litoželezno pušo Dura-Bore™	2 leti	1 leto
Vsi drugi Briggs & Strattonovi motorji	2 leti	90 dni

* To so naši standardni garancijski pogoji, a občasno je lahko priloženo dodatno garancijsko kritje, ki ni določeno v času izdaje. Za veljavne garancijske pogoje za vaš motor obiščite spletno stran BRIGGSandSTRATTON.COM ali pa se obrnite na pooblaščenno servisno delavnico Briggs & Stratton.

▲ Motorji, ki se uporabljajo v različnih modelih domačih generatorjev v pripravljenosti, imajo garancijo le za uporabo s strani uporabnika. Ta garancija ne velja za motorje v opremi, uporabljeni za dovajanje energije, namesto kot pripomoček. **Za motorje, uporabljene v tekmovalnem dirkanju ali na komercialnih ali najemnih stezah, garancija ne velja.**

Garancijska doba se začne, ko napravo kupi prvi kupec v prodaji na drobno ali končni komercialni uporabnik, in traja ves čas, naveden v zgornji tabeli. "Uporaba potrošnika" pomeni osebno uporabo v gospodinjstvu s strani kupca, ki je napravo kupil v prodaji na drobno. "Komercialna uporaba" pomeni vse druge primere uporabe, vključno z uporabo za komercialne namene, pridobivanje prihodka ali najem. Če je motor enkrat uporabljen v komercialne namene, po tej garanciji spada v kategorijo motorjev za komercialno uporabo.

Za pridobitev garancije za izdelke Briggs & Stratton ni potrebna registracija garancije. Shranite potrdilo o nakupu. Če tedaj, ko potrebujete garancijsko storitev, ne predložite dokazila o datumu prvotnega nakupa, se bo za določanje garancijske dobe uporabil datum proizvodnje izdelka.

O vaši garanciji

Družba Briggs & Stratton bo z veseljem opravila popravilo v garancijskem roku in se vam opravičuje za neprijetnosti. Popravila v garancijskem roku lahko izvajajo vsi pooblaščenji servisi. Večino popravil v garancijskem roku se izvede rutinsko, včasih pa so zahtevki za servisiranje v garanciji neupravičeni.

Če se stranka ne strinja z odločitvijo servisa, bo potrebna preiskava, da bi ugotovili, ali je garancija veljavna. Servis prosite, da vse podatke predloži v oceno svojemu distributerju ali tovarni. Če se distributer ali tovarna odloči, da je zahtevek utemeljen, bo kupec prejel celotno nadomestilo za dele z napako. Da bi se izognili nesporazumom, do katerih bi lahko prišlo med kupcem in prodajalcem, v nadaljevanju navajamo nekatere vzroke za odpoved motorja, ki jih garancija ne vključuje.

Normalna obraba: Motorji, tako kot vse mehanske naprave, za dobro delovanje potrebujejo občasno servisiranje in zamenjavo delov. Garancija ne bo krila popravila, če je ob normalni rabi potekla življenjska doba nekega dela ali motorja. Garancija namreč ne velja, če je do poškodbe motorja prišlo zaradi napačne uporabe, pomanjkljivega rednega vzdrževanja, transporta, ravnanja z motorjem, skladiščenja ali neustrezne postavitve. Garancija prav tako ne velja, če je bila serijska številka motorja odstranjena ali če je bil motor predelan ali spremenjen.

Neustrezno vzdrževanje: Življenjska doba motorja je odvisna od pogojev, v katerih motor deluje, in od nege. Nekatere naprave, kot so kultivatorji, črpalke in rotacijske kosilnice, pogosto uporabljamo v prašnih ali umazanih razmerah, kar lahko povzroči poškodbo, ki je videti kot prezgodnja obraba motorja. Takšna obraba, ki jo povzročijo umazanija, prah, ostanki saj z vžigalne svečke ali drugi abrazivni delci, ki so vdrti v motor zaradi neustreznega vzdrževanja, ni vključena v garancijo.

Omenjena garancija krije samo napake v materialu in/ali okvare zaradi izdelave na motorju, ne pa nadomestila ali povrnitve opreme, h kateri je motor lahko priključen. Garancija poleg tega ne krije popravil, potrebnih zaradi:

- 1 Težav, do katerih je prišlo zaradi uporabe delov, ki niso Briggs & Strattonovi originalni deli.
- 2 Kontrolnih ročic na napravi ali napeljav, ki preprečujejo zagon, povzročajo nezadovoljivo delovanje motorja ali skrajšujejo življenjsko dobo motorja. (Obrnite se na izdelovalca opreme.)

- 3 Uplinjačev, ki puščajo, zamašenih cevi za dovod goriva in zlepljenih ventilov ali drugih poškodb, ki jih je povzročila uporaba onesnaženega ali starega goriva.
- 4 Delov, ki so opraskani ali polomljeni zato, ker je motor deloval s premalo ali z onesnaženim mazivnim oljem ali z oljem neustrezne viskoznosti. (Preverite nivo olja in po potrebi dotočite ter zamenjajte olje v priporočenih intervalih). Funkcija OIL GARD ne sme izklopiti motorja v teku. Pri nepravilnem vzdrževanju ravni olja lahko pride do okvare motorja.
- 5 Popravil ali prilagoditev delov ali sklopov, kot so sklopke, prenosi, daljinsko upravljanje itd., ki jih ne izdeluje družba Briggs & Stratton.
- 6 Poškodb ali obrabe delov zaradi umazanije, ki je vstopila v motor zaradi nepravilnega vzdrževanja zračnega filtra, montaže ali uporabe neoriginalnih sestavnih delov zračnega filtra. V priporočenih intervalih očistite in/ali zamenjajte filter, kot je navedeno v Priročniku za uporabo.
- 7 Delov, ki so bili poškodovani zaradi prevelikih vrtljajev ali pregretja zaradi trave ali umazanije, ki je začepila ali zamašila hladilna rebra ali predel vztrajnika, ali poškodbe, do katere je prišlo zaradi uporabe motorja v zaprtem prostoru, kjer ni ustreznega prezračevanja. V priporočenih intervalih očistite umazanijo z motorja, kot je navedeno v Priročniku za uporabo.
- 8 Delov motorja ali opreme, ki so se zlomili zaradi prevelikih vibracij, ki jih je povzročila preohlapna pričvrstitev motorja ali rezil, neuravnoveženih rezil ali ohlapno nameščenih ali neuravnoveženih rotorjev, neprimerne pritrditve opreme na ročično gred motorja, previsokih vrtljajev ali druge napake pri uporabi naprave.
- 9 Gredi, ki se je zvila ali zlomila zaradi udarca trdega predmeta po rezilu rotacijske kosilnice ali premočno napetega klinastega jermena.
- 10 Rutinskih nastavitvev ali prilagoditev motorja.
- 11 Odpovedi motorja ali dela motorja, npr. zgorevalne komore, ventilov, sedežev ventilov, vodil ventilov ali pregorelega navitja zaganjalnika, zaradi uporabe alternativnih goriv, kot so petrolej, zemeljski plin, spremenjeni bencin itd.

Popravila v garancijskem roku so mogoča le na pooblaščenih servisih družbe Briggs & Stratton. Poiščite najbližjo pooblaščenno servisno delavnico na zemljevidu naših licenčnih partnerjev na BRIGGSandSTRATTON.COM oziroma pokličite 1-800-233-3723 ali poiščite številko v 'Rumenih straneh'.



THE POWER WITHIN™

Not for Reproduction