

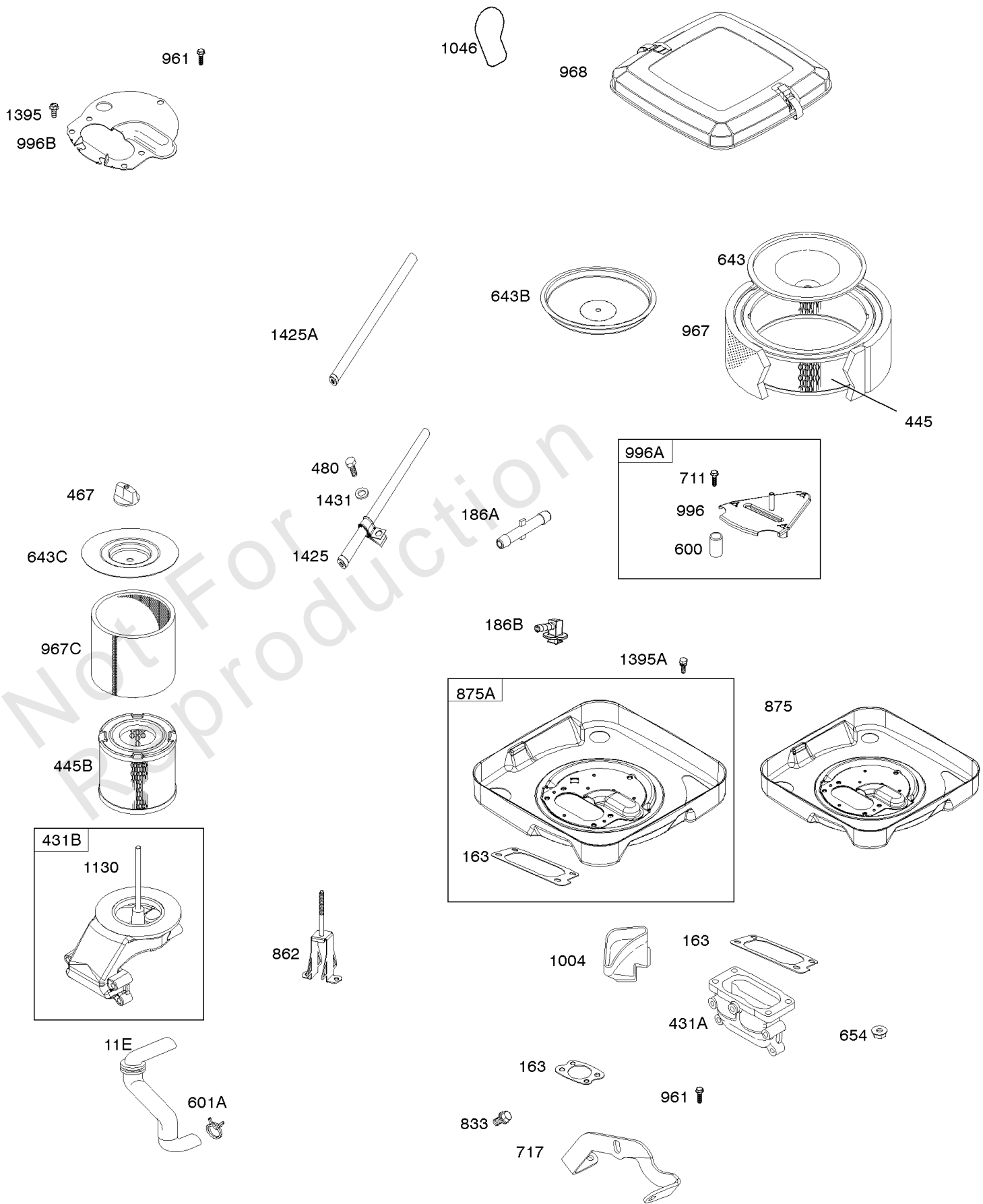


# Parts Manual

Mfg. No: 386447-0189-B1

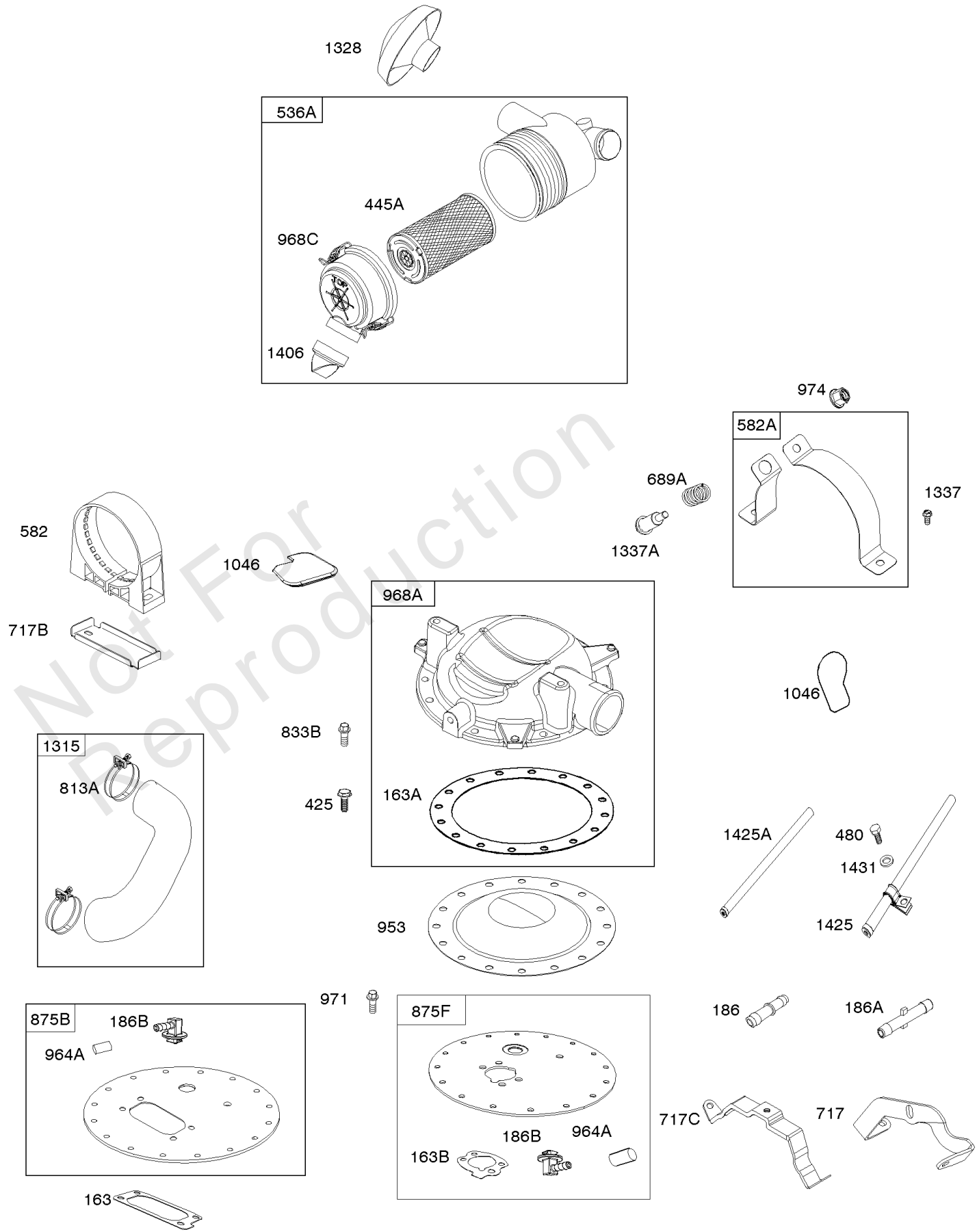


<b>Model Components</b>	<b>Page</b>
Air Filter Systems,.....	4
Air Filter Systems,.....	6
Alternators, Wires, Ignition, Regulators.....	8
Blower Housing, Air Guides, Shrouds, Carburetor Cover, Rewind Starter.....	12
Carburetor Overhaul Kits, Engine/Valve Gasket Sets.....	16
Carburetors, Fuel Pump.....	20
Carburetors, Fuel Pump.....	24
Crankcase Cover, Lubrication, Cam Shaft.....	28
Cylinder Heads, Rocker Covers.....	30
Cylinder, Piston/Rings/Rods, Crankshaft.....	32
Electric Starter.....	36
Exhaust System, Intake Manifold.....	38
Flywheel, Stub Shaft, Rotating Screen.....	40
Fuel Supply.....	42
Governor Springs, Controls.....	44
Lubrication, Cam Shaft.....	48
Replacement Engine - US & Canada.....	50
Model 29, 30, 35 & 38 Engine Accessories Catalog.....	51
Maintenance Kits.....	52
Lubrication.....	54
Starter Motor Side Outlet Mufflers.....	56
Oil Filter Side Outlet Mufflers.....	58
Oil Filter Side Outlet Manifolds.....	60
Starter Motor Side Outlet Manifolds.....	62
Mufflers.....	64
Center Outlet Mufflers.....	66
Muffler Guards and Shields.....	68
Spark Arrestors and Deflectors.....	70
Muffler Mounting Hardware.....	72
Flywheel and Air Intake Guards.....	74
PTO.....	76
Electrical.....	78
Speed Control.....	80



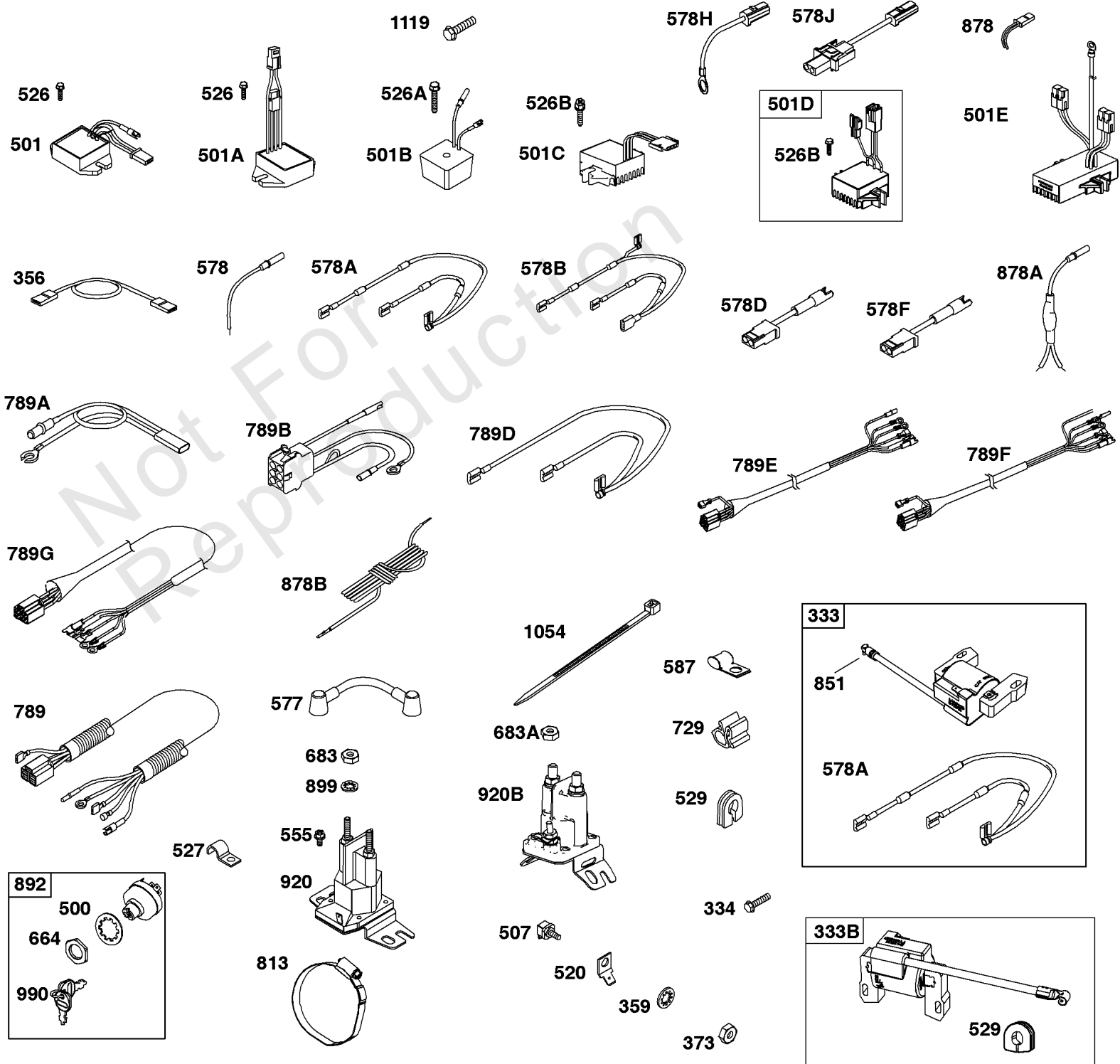
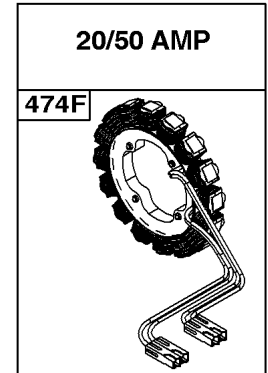
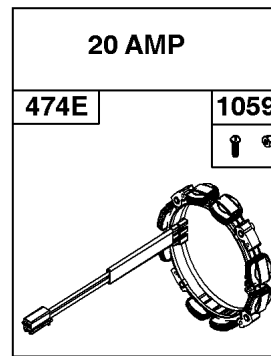
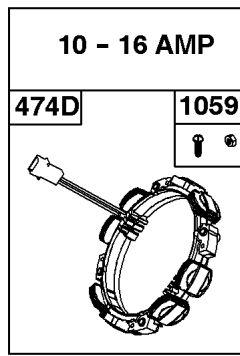
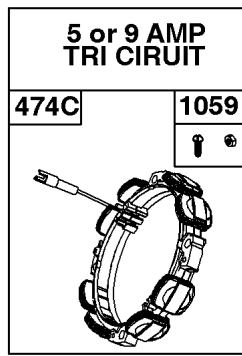
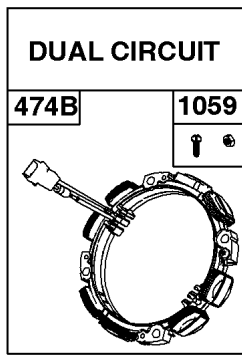
## Air Filter Systems,

REF NO	PART NO	QTY	DESCRIPTION
11E	846565		TUBE, Breather
163	692087		GASKET, Air Cleaner -(Air Cleaner)
431A	691534		MANIFOLD, Intake
431B	846566		MANIFOLD, Intake
445	692519		FILTER, A/C Cartridge
445B	845090		FILTER, A/C Cartridge
467	691985		KNOB, Air Cleaner Cover -Used Before Code Date 10040100
467	846431		KNOB, Air Cleaner Cover -Used After Code Date 10033100
480	806660		SCREW -(Tube Clamp)
600	845213		SPACER, Air Cleaner
601A	691145		CLAMP, Hose
643	692079		RETAINER, Air Filter -Used Before Code Date 11061500
643B	844932		RETAINER, Air Cleaner -Used After Code Date 11061400
643C	845087		RETAINER, Air Filter
654	690939		NUT -(Carburetor)
711	691492		SCREW -(Carburetor Shield)
717	843332		BRACKET, Air Cleaner
833	807084		SCREW -(Air Cleaner Mounting Strap/Stud) (M6x14mm)
875	808655		BASE, Air Cleaner
961	807084		SCREW -(Air Cleaner Bracket) (M6x14mm)
967	692520		FILTER, Pre Cleaner
967C	271794S		FILTER, Pre Cleaner
968	808654		COVER, Air Cleaner
996	845212		SHIELD, Carburetor
996A	845543		SHIELD-CARBURETOR
996B	845210		SHIELD, Carburetor
1004	806422		DUCT-AIR
1046	841165		PLUG, Blower Housing
1130	690746		STUD -(Intake Manifold) (M6x106mm)
1395	841233		SCREW -USE REFERENCE 971 (M6x10mm)
1395A	691492		SCREW -USE REFERENCE 971 (M6x30mm)



## Air Filter Systems,

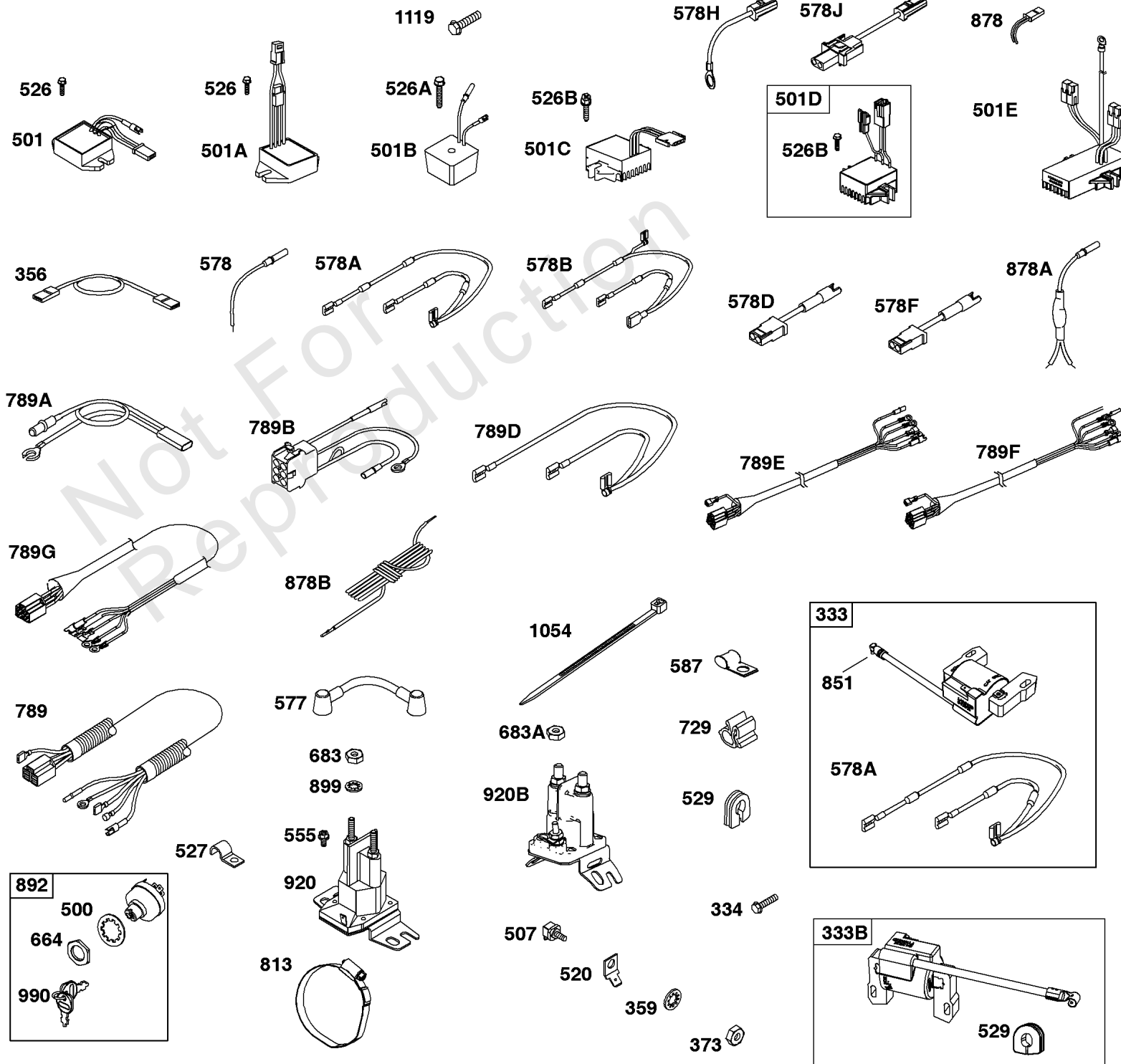
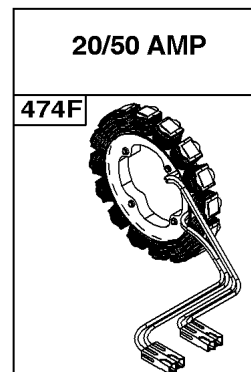
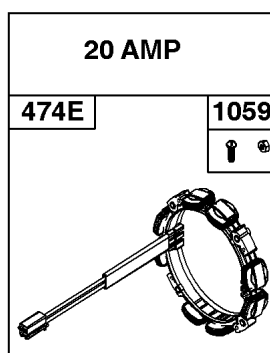
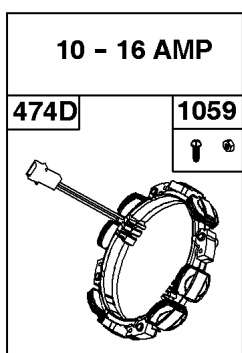
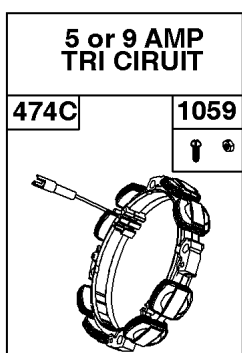
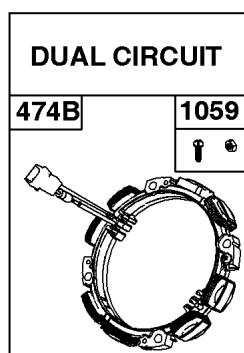
REF NO	PART NO	QTY	DESCRIPTION
163	692087		GASKET, Air Cleaner -(Air Cleaner)
163A	841823		GASKET, Air Cleaner -(Air Cleaner)
163B	692081		GASKET, Air Cleaner -(Air Cleaner)
186	693184		CONNECTOR, Hose
276B	690724		WASHER, Sealing
425	691593		SCREW -(Air Cleaner Cover) (M6x12mm)
445A	820263		FILTER, A/C Cartridge
480	806660		SCREW -(Tube Clamp)
536A	825118		CLEANER, Air -(Cyclonic)
582	807381		CLAMP, Air Cleaner
582A	843114		CLAMP, Air Cleaner
689A	843113		SPRING, Friction
717	843332		BRACKET, Air Cleaner
717B	841886		BRACKET, Air Cleaner
717C	692153		BRACKET, Air Cleaner
813A	807377		CLAMP
833B	691593		SCREW -(Air Cleaner Mounting Strap/Stud) (M6x12mm)
875B	843109		BASE, Air Cleaner
875F	844996		BASE, Air Cleaner
953	845030		SCREEN, Air Cleaner
964A	807468		CAP, Carburetor
968A	841822		COVER, Air Cleaner
968C	842620		COVER, Air Cleaner
971	807084		SCREW -(Air Cleaner Base to Carburetor/Throttle Body) (M6x14mm)
974	690941		NUT -(Air Cleaner Clamp)
1046	841165		PLUG, Blower Housing
1315	843111		HOSE, Air Cleaner
1328	716244		CAP, A/C Rain
1337	692062		SCREW -(Air Cleaner Clamp) (M8x18mm)
1337A	843112		SCREW -(Air Cleaner Clamp)
1406	842623		VALVE, Debris





## Alternators, Wires, Ignition, Regulators

REF NO	PART NO	QTY	DESCRIPTION
5	845713		HEAD, Cylinder -(Cylinder 1)
10	806421		SCREW -(Breather Assembly)
20	805049S		SEAL, Oil -(PTO Side)
333	845606		ARMATURE, Magneto
334	692066		SCREW -(Magneto Armature)
359	691077		WASHER -(Ground Terminal)
373	691612		NUT -(Ground Terminal)
474C	592829		ALTERNATOR -(Tri Circuit)
500	691086		WASHER -(Key Switch)
501B	794360		REGULATOR
507	691972		INSULATOR
520	691084		TERMINAL, Ground
526	692067		SCREW -(Regulator) (M6x12mm)
526A	690717		SCREW -(Regulator) (M6x30mm)
526B	691547		SCREW -(Regulator) (M6x28mm)
527	690423		CLAMP, Tube
529	690744		GROMMET
555	692067		SCREW -(Starter Solenoid)
577	690795		CABLE, Starter
578	692306		WIRE ASSEMBLY
578A	844547		HARNESS, Wiring
578F	846588		WIRE ASSEMBLY
578B	691999		WIRE ASSEMBLY
587	807116		CLAMP, Tube
664	691087		NUT -(Key Switch)
683	691029		NUT -(Starter Solenoid)
683A	820813		NUT -(Starter Solenoid)
729	690586		CLIP, Wire
789	691996		HARNESS, Wiring
789A	844914		HARNESS, Wiring
813	690635		CLAMP
851	493880S		TERMINAL-SPARK PLUG
878	398661		HARNESS, Wiring
878A	691955		HARNESS, Alternator
878B	691362		HARNESS, Wiring
892	692318		SWITCH, Key
899	691077		WASHER -(Starter Solenoid)
920	691656		SOLENOID, Starter
990	691959		SET, Key
1054	280275		TIE, Cable



## *Alternators, Wires, Ignition, Regulators*

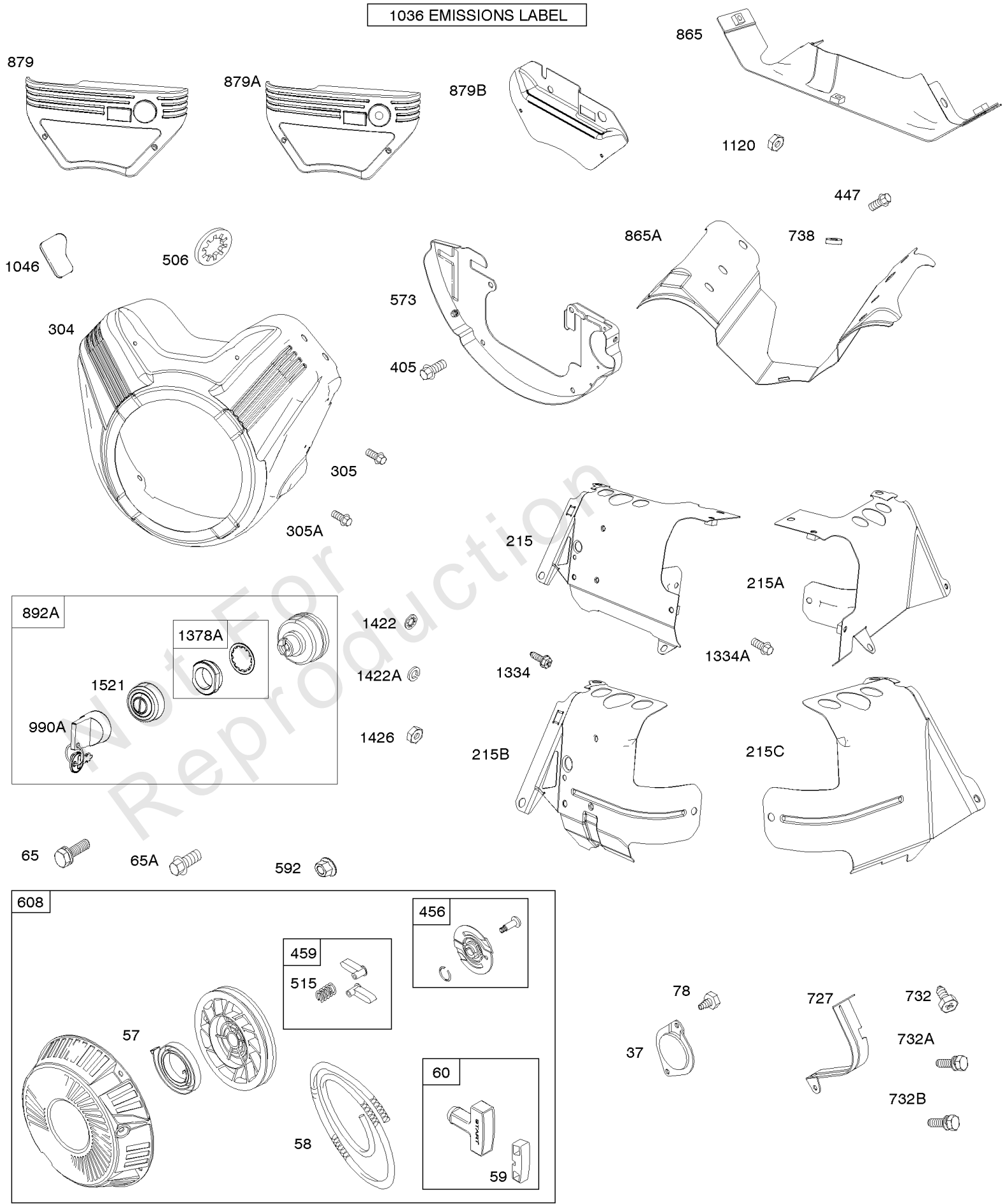
REF NO	PART NO	QTY	DESCRIPTION
1059	698516		KIT, Screw/Washer -(Alternator)
1119	691552		SCREW -(Alternator)

Not For Reproduction

# Blower Housing, Air Guides, Shrouds, Carburetor Cover, Rewind Starter

Mfg. No: 386447-0189-B1

1036 EMISSIONS LABEL



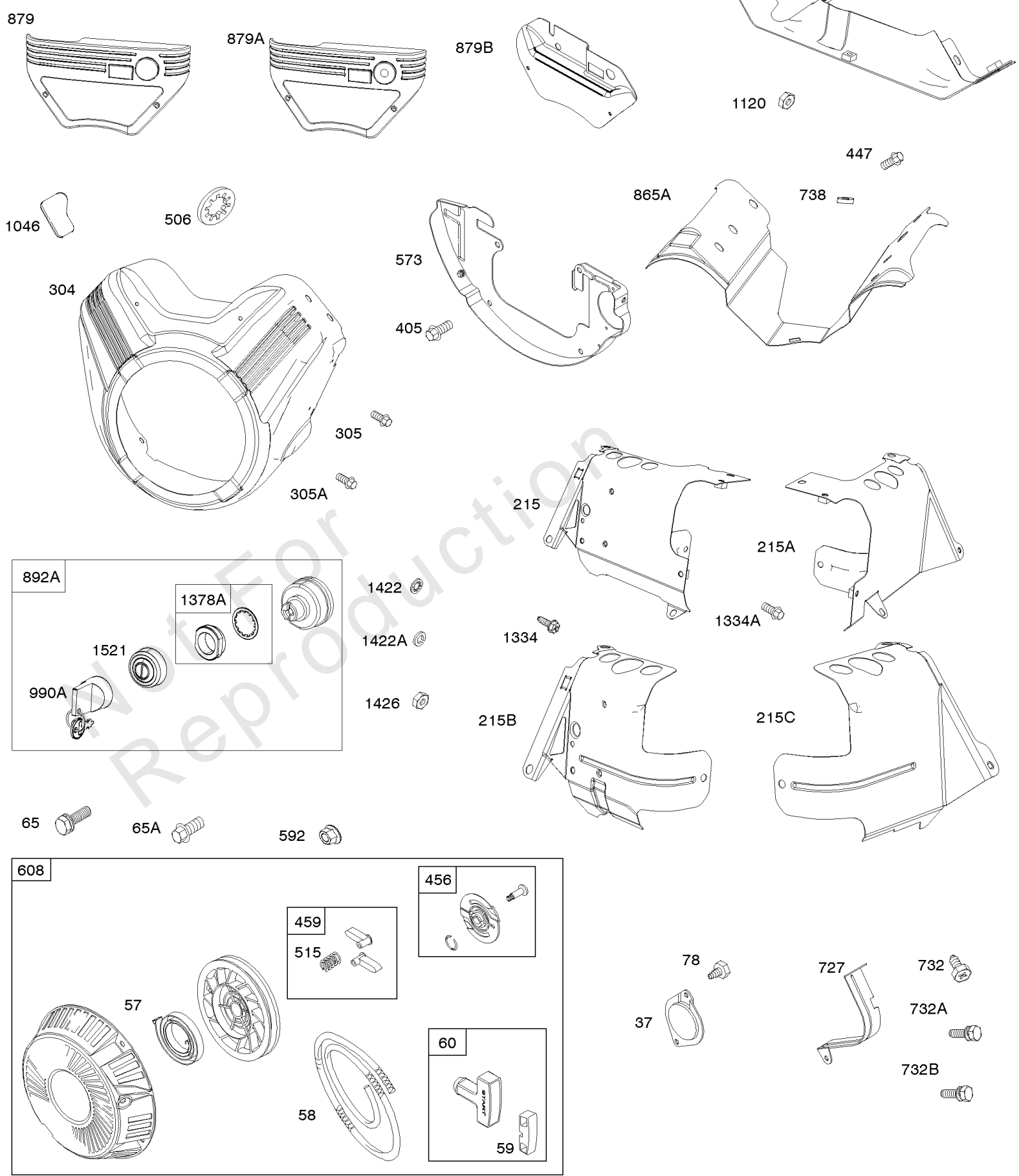
## **Blower Housing, Air Guides, Shrouds, Carburetor Cover, Rewind Starter**

REF NO	PART NO	QTY	DESCRIPTION
37	841309		GUARD, Flywheel
57	692086		SPRING, Rewind Starter
58	66574		ROPE, Starter -(Cut To Required Length)
59	805957		INSERT, Grip
60	808167		GRIP, Starter Rope
65	846234		SCREW -(Rewind Starter) (M8x22mm)
65	690341		SCREW -(Rewind Starter) (5/16-18 x 0.875)
65A	841233		SCREW -(Rewind Starter) (M6x10mm)
78	690688		SCREW -(Flywheel Guard)
215B	841183		GUIDE, Air -(Cylinder 1)
215C	841182		GUIDE, Air -(Cylinder 2)
304	841489		HOUSING, Blower
305	692056		SCREW -(Blower Housing) (M8x14mm)
305A	692062		SCREW -(Blower Housing) (M8x18mm)
405	807163		SCREW -(Back Plate)
447	841233		SCREW -(Air Guide Cover)
456	845219		PLATE, Pawl Friction
459	845218		PAWL, Ratchet
506	807120		SCREW -(Carburetor/EFI Cover)
515	691528		SPRING, Pawl
573	841310		PLATE, Back
592	690939		NUT -(Rewind Starter) (M6)
608	841729		STARTER, Rewind
727	841313		COVER, Starter Drive
732	690688		SCREW -(Starter Drive Cover) (8mm )
732A	807163		SCREW -(Starter Drive Cover) (Lockerwasher Head) (M6x10)
732B	841233		SCREW -(Starter Drive Cover) (Flange Washer Head) (M6x10)
738	690706		WASHER -(Air Guide Cover)
865A	843768		COVER, Air Guide
879	841607		COVER, Carburetor/EFI
990A	847146		SET, Key -(Waterproof)
1036	-----		Label-Emissions -(Available From A Briggs & Stratton Authorized Dealer)
1046	841165		PLUG, Blower Housing
1120	690238		NUT -(Air Guide Cover)
1334	841233		SCREW -(Air Guide) (M6x10mm)
1334A	692067		SCREW -(Air Guide) (M6x14mm)

# Blower Housing, Air Guides, Shrouds, Carburetor Cover, Rewind Starter

Mfg. No: 386447-0189-B1

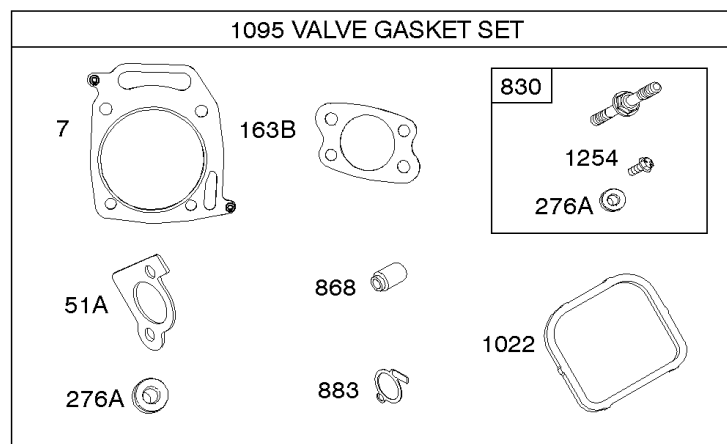
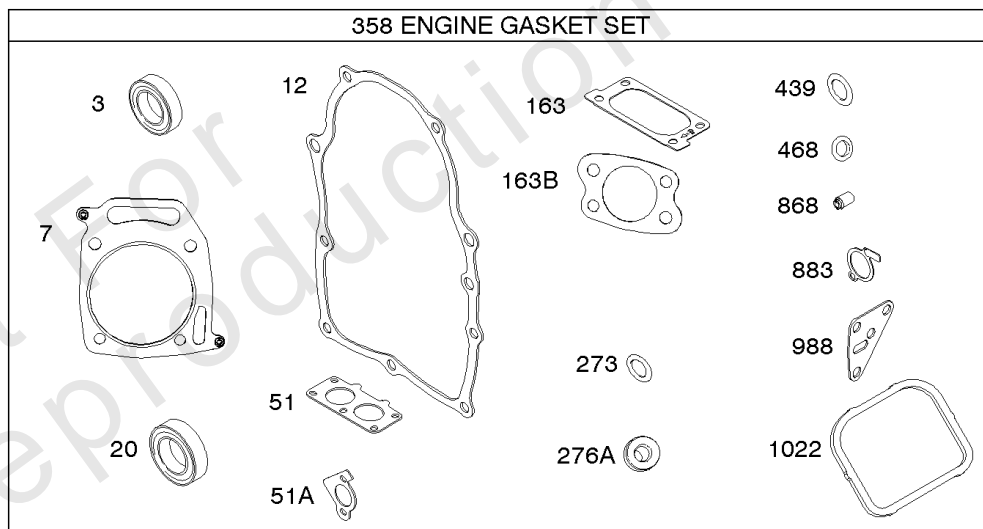
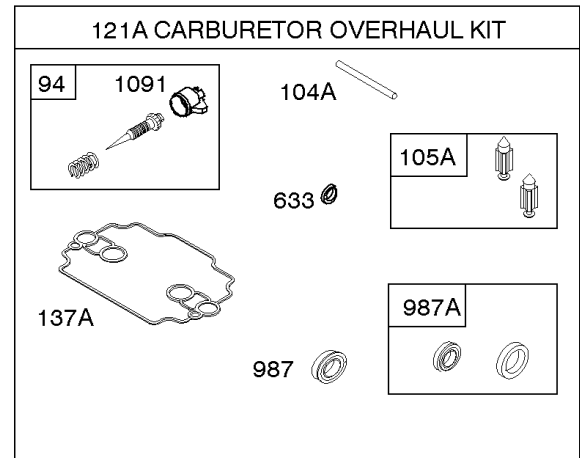
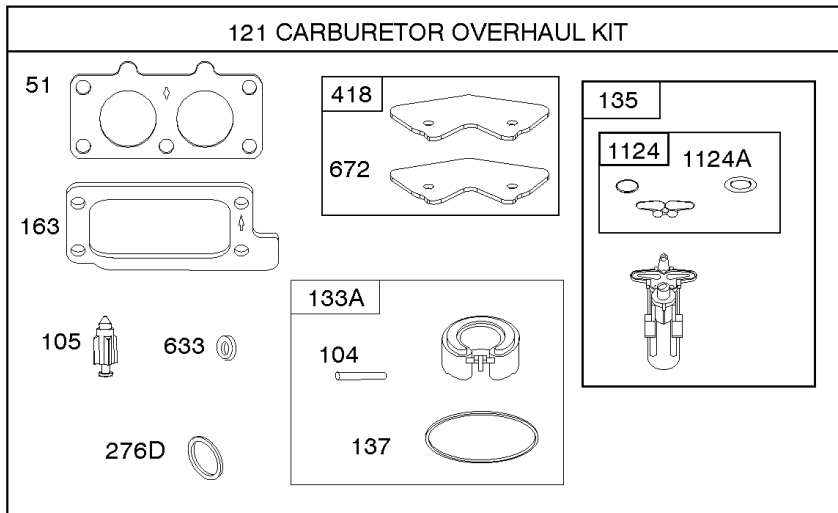
1036 EMISSIONS LABEL



## ***Blower Housing, Air Guides, Shrouds, Carburetor Cover, Rewind Starter***

REF NO	PART NO	QTY	DESCRIPTION
1378A	847144		SET, Washer/Nut
1422	691551		WASHER -(Air Guide) (Lockwasher) (Cylinder 1)
1422A	690706		WASHER -(Air Guide)
1426	690238		NUT -(Air Guide)
1521	847150		CAP, Switch -(Waterproof)

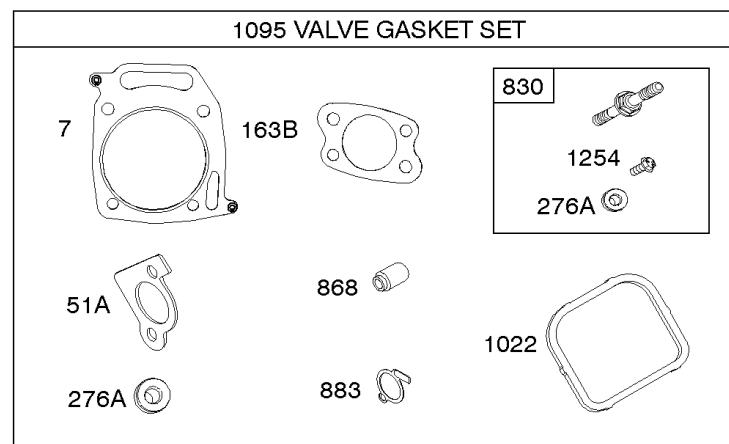
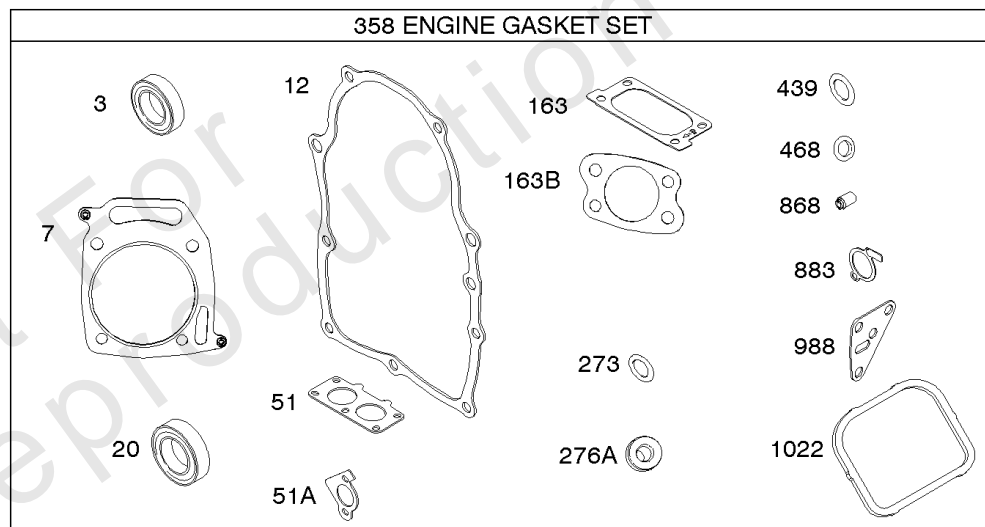
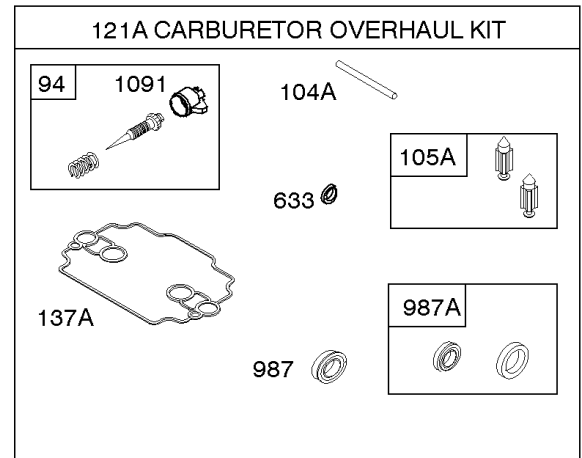
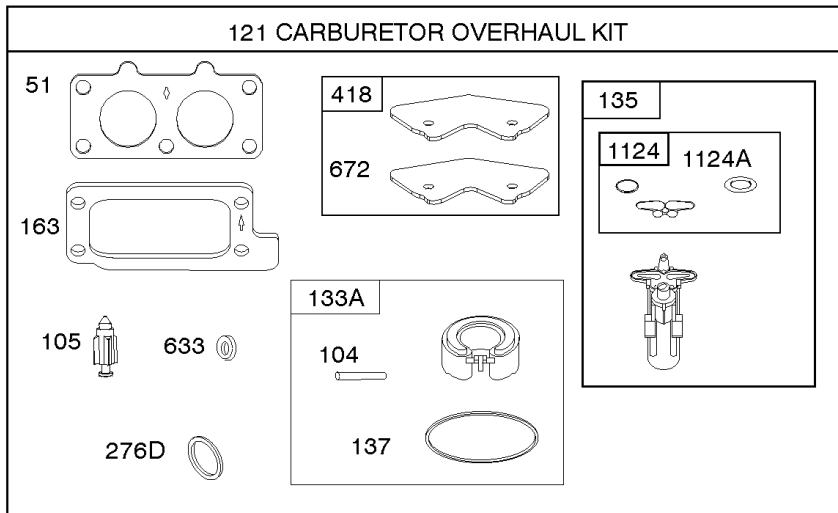
Not For Reproduction





## Carburetor Overhaul Kits, Engine/Valve Gasket Sets

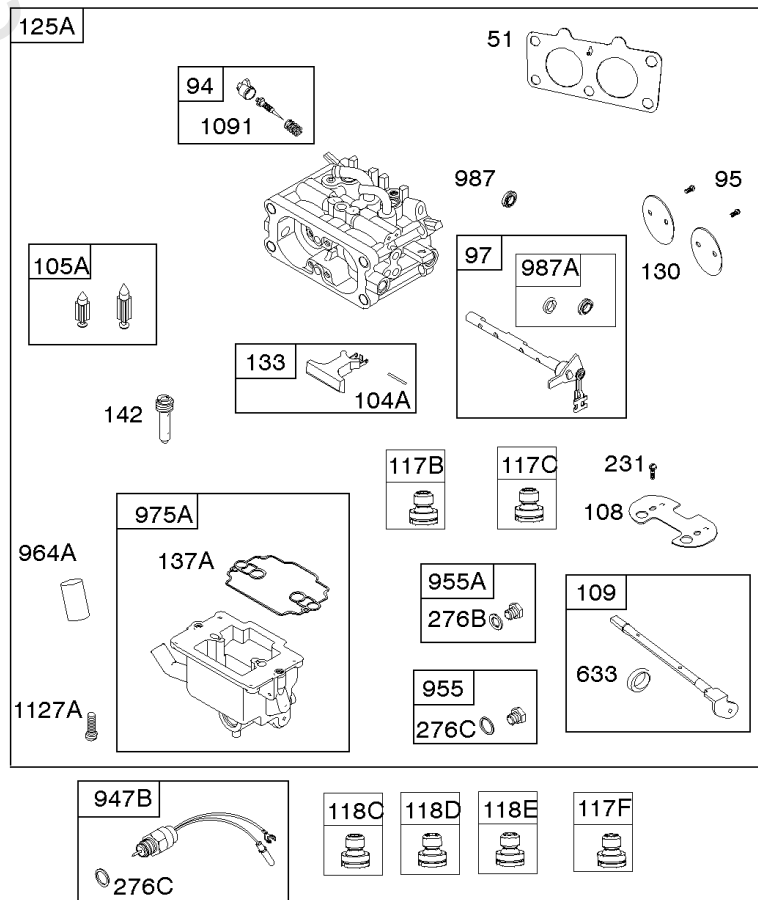
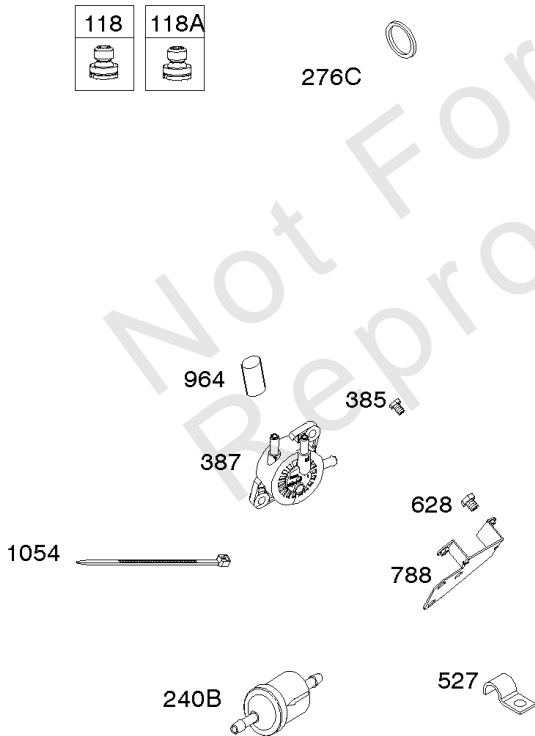
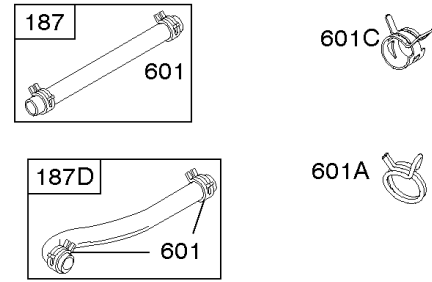
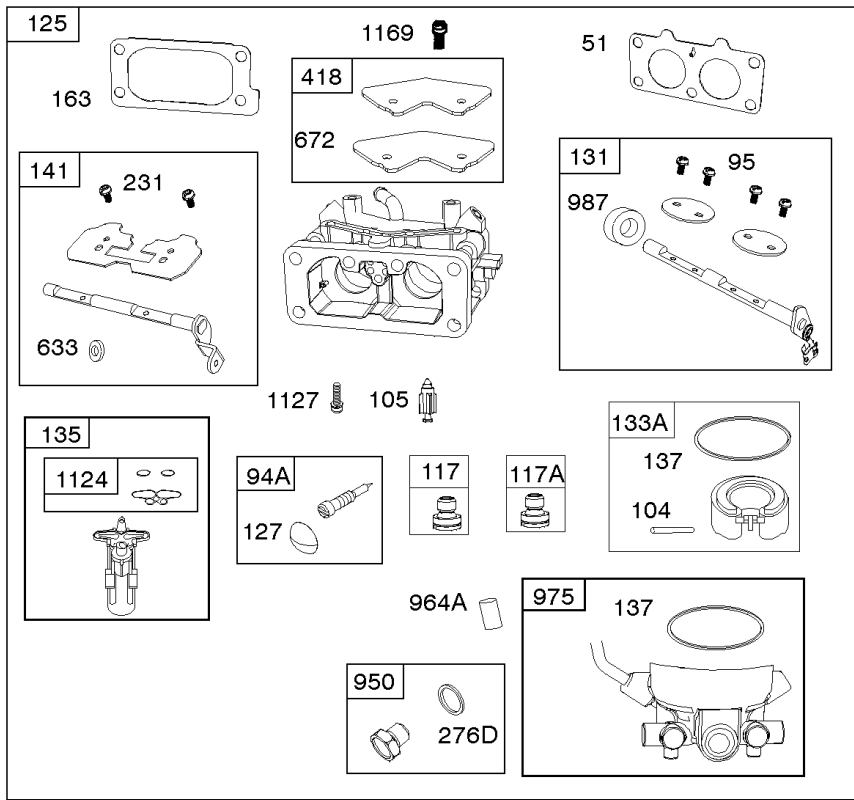
REF NO	PART NO	QTY	DESCRIPTION
3	805101S		SEAL, Oil -(Magneto Side)
7	842622		GASKET, Cylinder Head
12	846487		GASKET, Crankcase
20	805049S		SEAL, Oil -(PTO Side)
51	690950		GASKET, Intake -(Intake Manifold To Carburetor)
51A	806418		GASKET, Intake -(Intake Manifold to Cylinder Head)
104	844598		PIN, Float Hinge -(24.5 mm) -Used After Code Date 09031500
104A	690882		PIN, Float Hinge -(22 mm) -Used Before Code Date 09031600
105	698537		VALVE, Float Needle
105A	846635		VALVE, Float Needle
121	843103		KIT, Carburetor Overhaul -Used After Code Date 09031500
121A	842873		KIT, Carburetor Overhaul -Used Before Code Date 09031600
133A	845291		FLOAT, Carburetor -Used Before Code Date 09031600
133A	841545		FLOAT, Carburetor -Used After Code Date 09031500
135	842677		TUBE, Fuel Transfer
137	841651		GASKET, Float Bowl -Used After Code Date 09031500
137A	693711		GASKET, Carburetor Body -Used Before Code Date 09031600
163	692087		GASKET, Air Cleaner -(Air Cleaner)
163B	692081		GASKET, Air Cleaner -(Air Cleaner)
273	690681		SEAL, O-Ring -(Oil Pump)
276A	807085		WASHER, Sealing -(Rocker Cover)
276D	695410		WASHER, Sealing -(Fuel Solenoid, Aluminum, 12mm O.D.)
358	842658		GASKET SET, Engine
418	844589		PLATE, Carburetor Cover
439	692154		O-RING, Oil Gallery -(Crankcase Cover/Sump or Cylinder Assembly)
468	690690		SEAL, O-Ring -(Oil Pump Screen)
633	690722		SEAL, Choke/Throttle Shaft -(Choke Shaft)
672	843102		GASKET, Carburetor Plate
830	809157		STUD, Rocker Arm -(Rocker Arm)
868	691963		SEAL, Valve -(Intake Valve)
883	806425		GASKET, Exhaust
987	691000		SEAL, Throttle Shaft
987A	808183		SEAL, Choke/Throttle Shaft
988	692063		GASKET, Oil Adapter



## Carburetor Overhaul Kits, Engine/Valve Gasket Sets

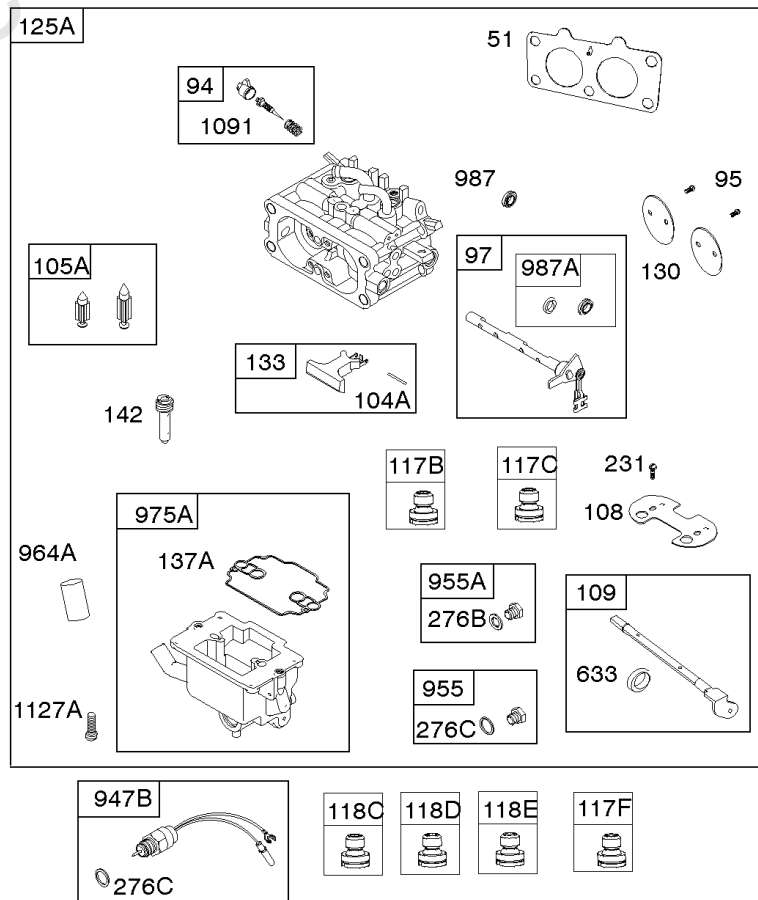
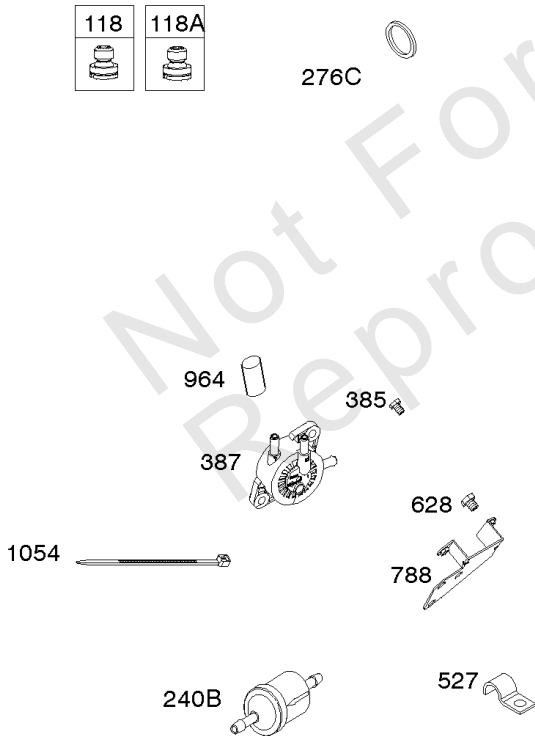
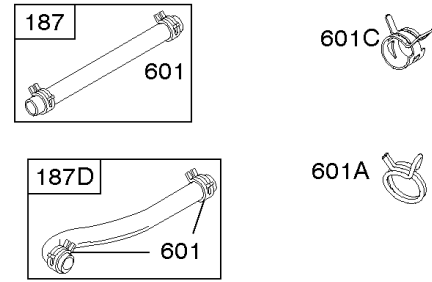
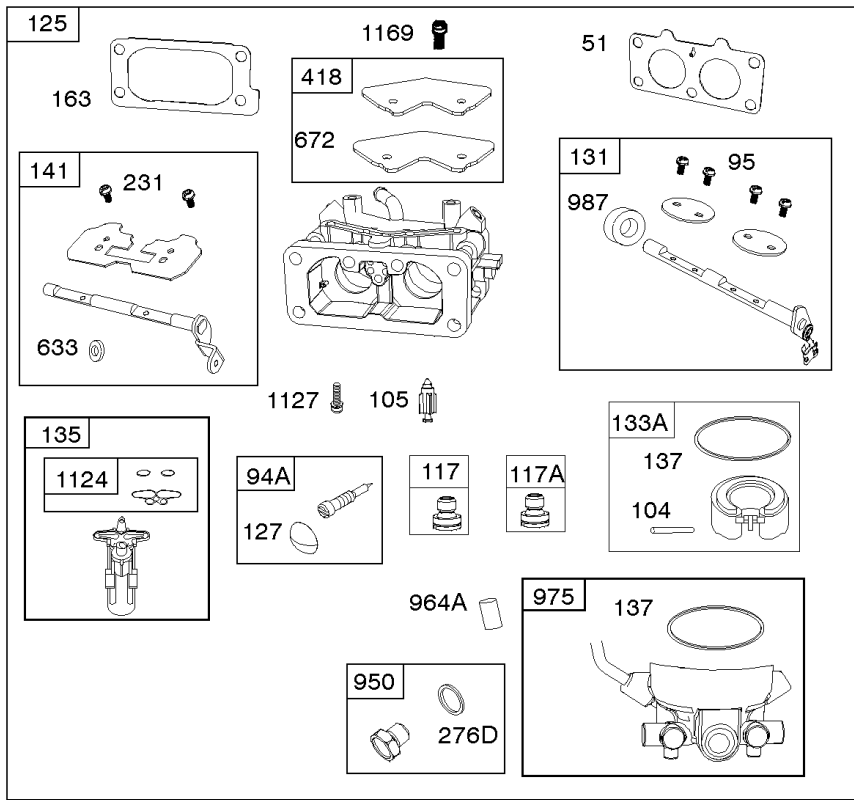
REF NO	PART NO	QTY	DESCRIPTION
1022	806039S		GASKET, Rocker Cover
1091	691516		CAP, Limiter
1095	842662		GASKET SET, Valve
1124	842678		SEAL, O-Ring -(Fuel Transfer Tube)
1124A	841653		SEAL, O-Ring -(Fuel Transfer Tube) (Bottom)
1254	807084		SCREW -(Rocker Arm Stud)

Not For Reproduction



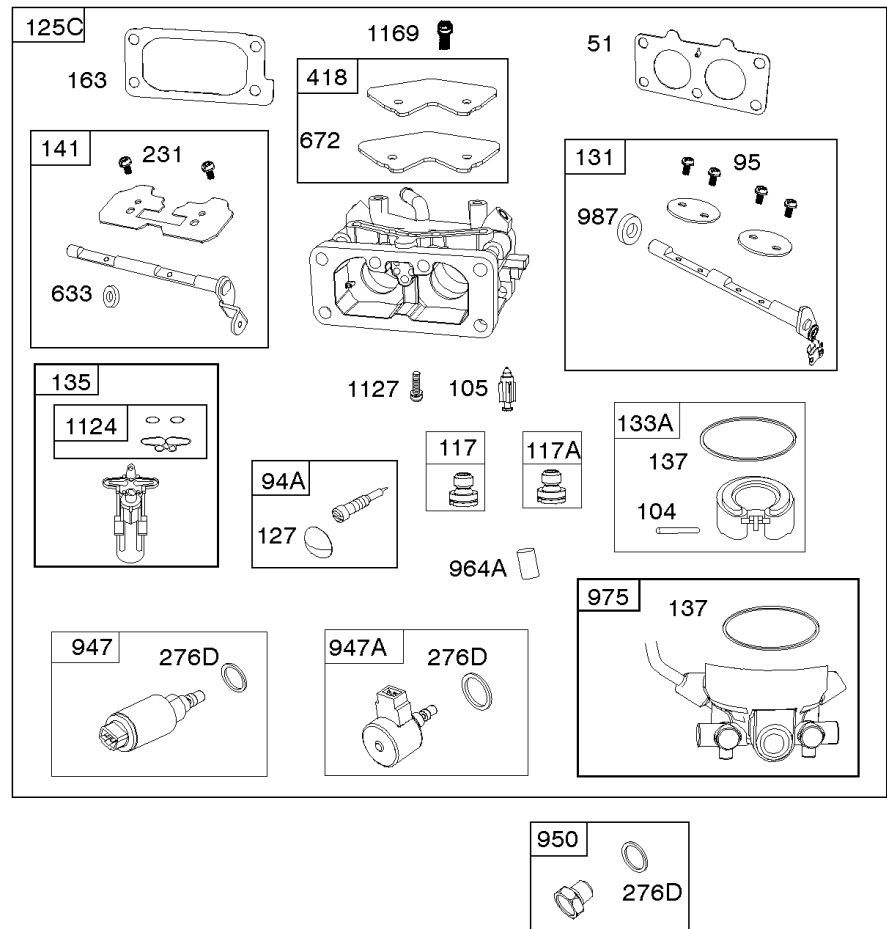
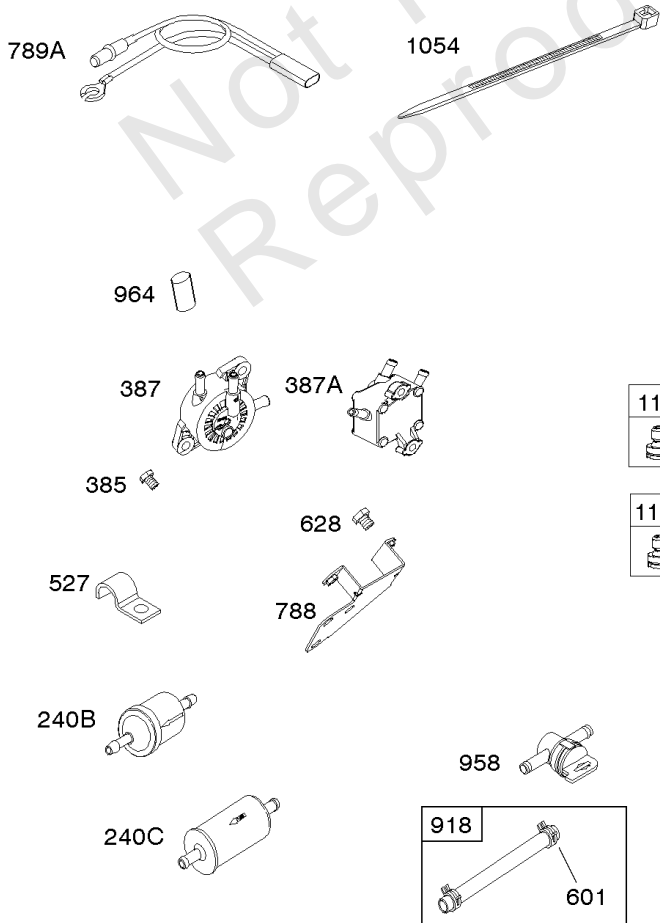
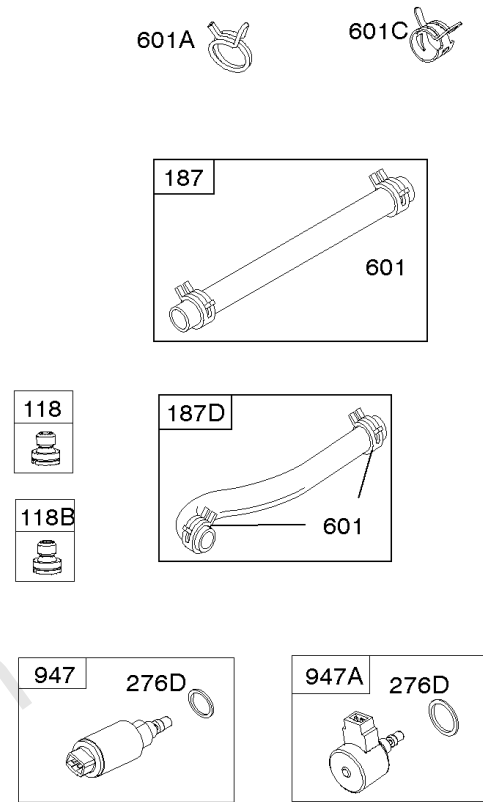
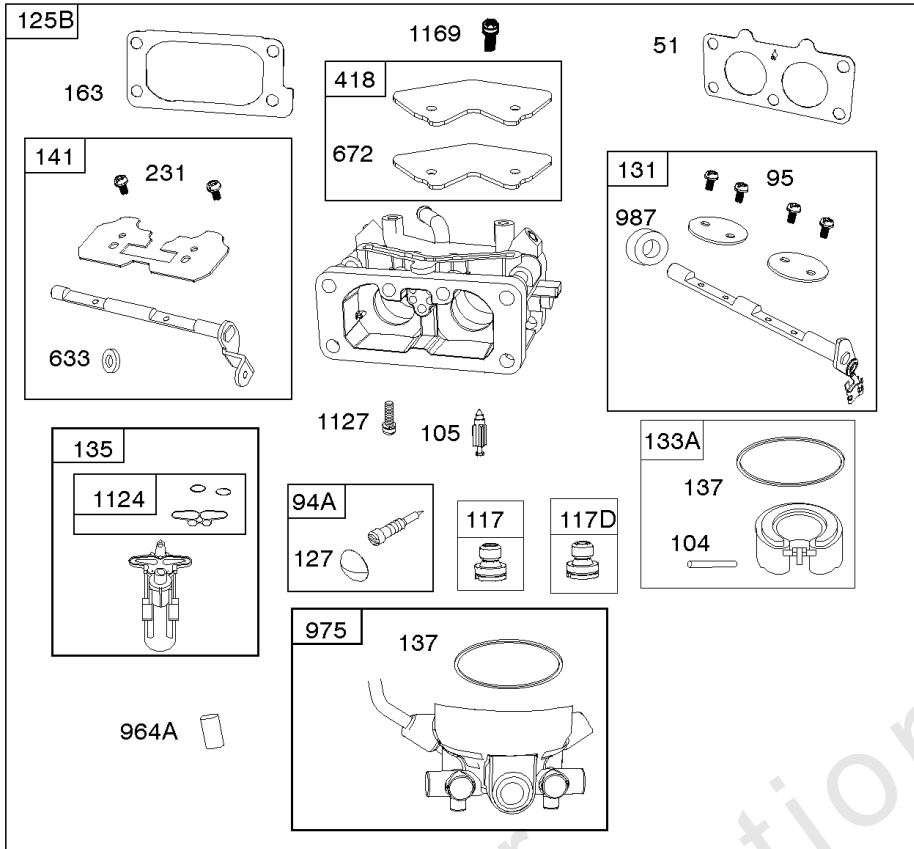
## Carburetors, Fuel Pump

REF NO	PART NO	QTY	DESCRIPTION
51	690950		GASKET, Intake -(Intake Manifold To Carburetor)
94A	844593		KIT, Idle Mixture
95	690718		SCREW -(Throttle Valve)
97	808182		SHAFT, Throttle
104	844598		PIN, Float Hinge -(24.5 mm) -Used After Code Date 09031500
104A	690882		PIN, Float Hinge -(22 mm) -Used Before Code Date 09031600
105	698537		VALVE, Float Needle
105A	846635		VALVE, Float Needle
108	690883		VALVE, Choke
109	808277		SHAFT, Choke
117	699457		JET, Main -(Standard) (Left Jet) -Used After Code Date 09031500
117A	842628		JET, Main -(Standard) (Right Jet) -Used After Code Date 09031500
117B	806438		JET, Main -(Standard) (Left Jet) -Used Before Code Date 09031600
117C	806439		JET, Main -(Standard) (Right Jet) -Used Before Code Date 09031600
118	699820		JET, Main -(High Altitude) Right Jet used on Carburetors: 845653, 845315, 843104
118A	699458		JET, Main -(High Altitude) Left Jet used on Carburetor 845653
118C	690880		JET, Main -(High Altitude) Right and Left Jet used on Carburetors 809449
118D	841670		JET, Main -(High Altitude) Left Jet used on Carburetors 808626
118E	693500		JET, Main -(High Altitude) Right Jet used on Carburetors 808626
125A	808626		CARBURETOR -Used Before Code Date 09012000
130	690884		VALVE, Throttle
131	843101		KIT, Throttle Shaft
133	808180		FLOAT, Carburetor
133A	845291		FLOAT, Carburetor -Used Before Code Date 09031600
133A	841545		FLOAT, Carburetor -Used After Code Date 09031500
135	842677		TUBE, Fuel Transfer
137	841651		GASKET, Float Bowl -Used After Code Date 09031500
137A	693711		GASKET, Carburetor Body -Used Before Code Date 09031600
141	843100		KIT, Choke Shaft
142	806375		NOZZLE, Carburetor
163	692087		GASKET, Air Cleaner -(Air Cleaner)
187	791745		LINE, Fuel -(23 Inches )(Cut To Required Length)
187	791766		LINE, Fuel -(15 Inches Long)(Cut To Required Length)



## Carburetors, Fuel Pump

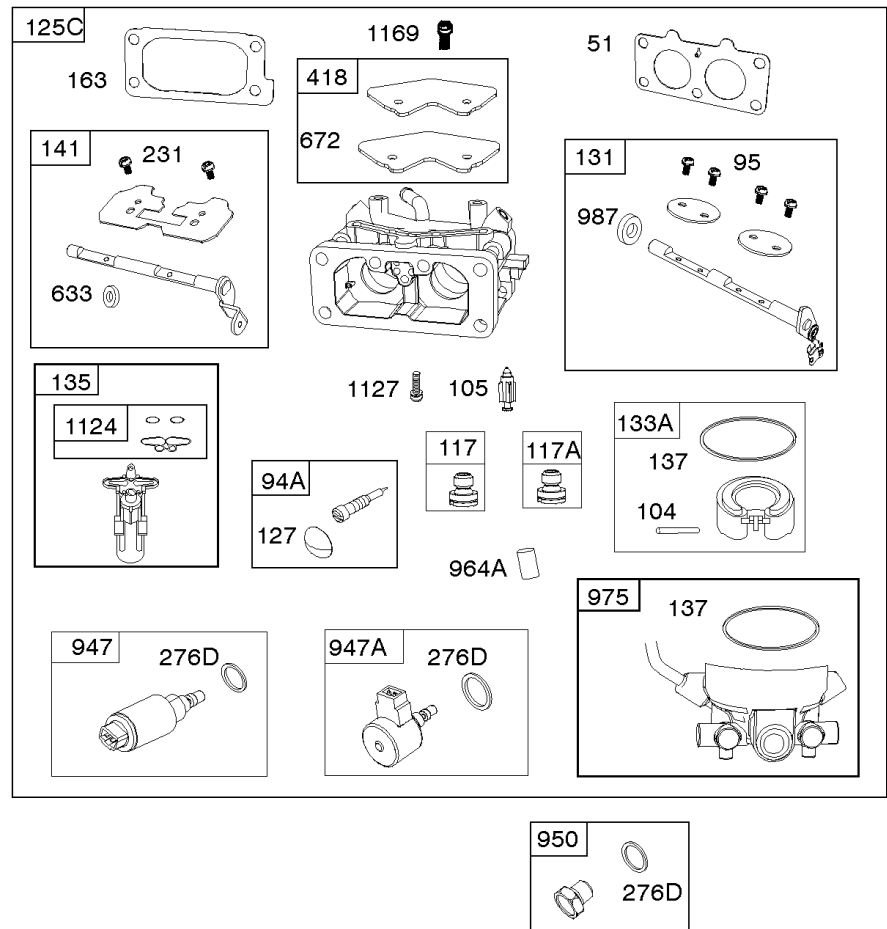
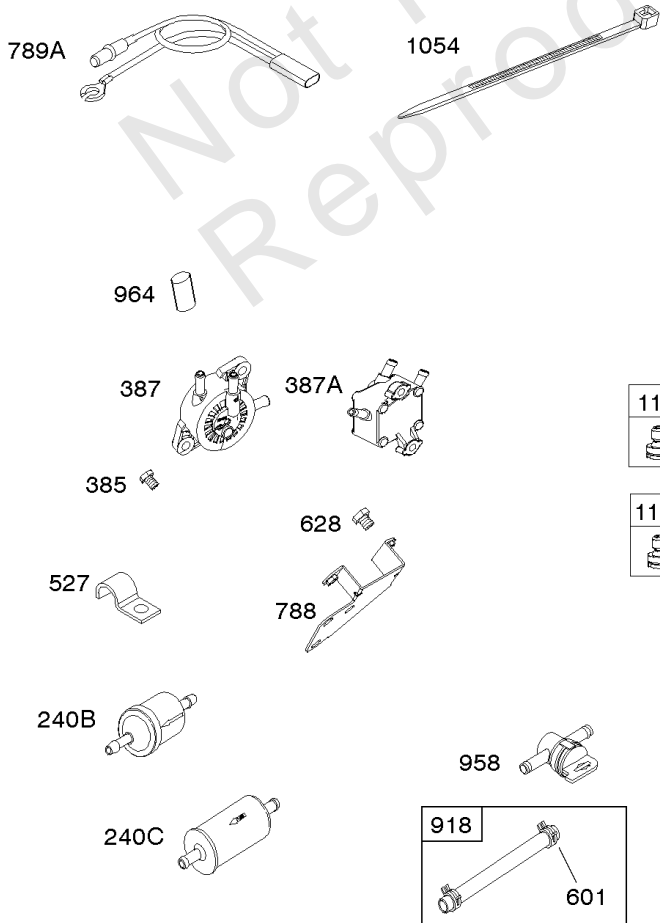
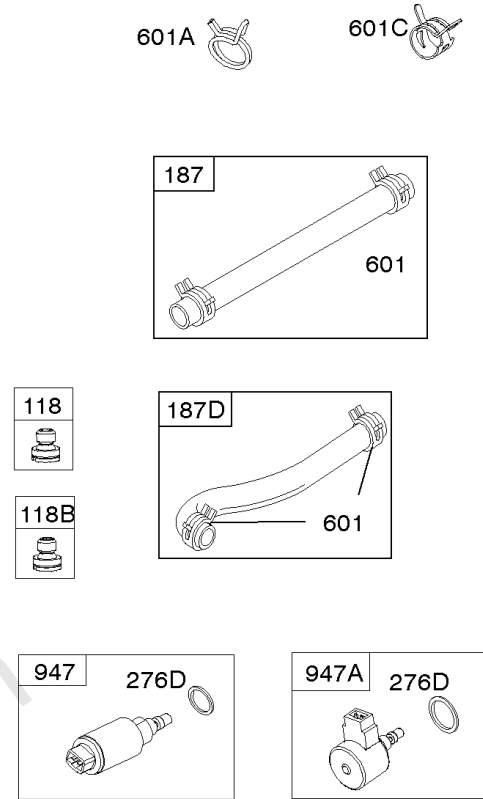
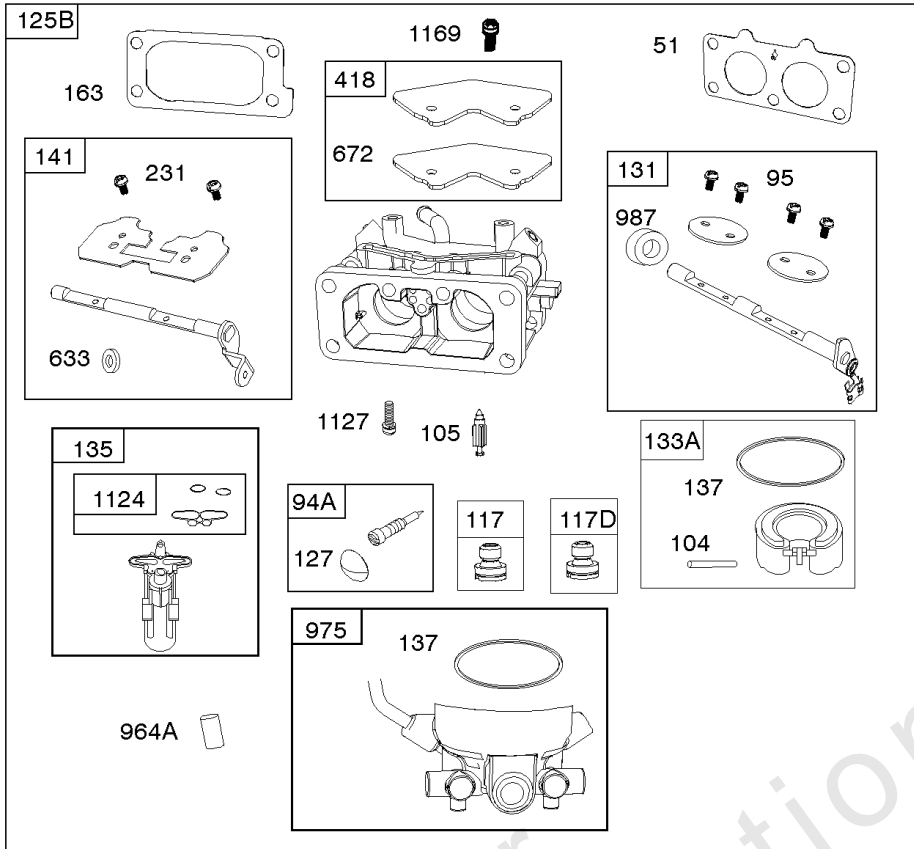
REF NO	PART NO	QTY	DESCRIPTION
187D	791744		LINE, Fuel -(Formed)(14 Inches Long)(Cut To Required Length)
187D	846584		LINE, Fuel -(Formed)(6.88 Lg)(Cut To Required Length)
231	690718		SCREW -(Choke Valve)
240B	84001895		FILTER, Fuel
276B	690724		WASHER, Sealing
276D	695410		WASHER, Sealing -(Fuel Solenoid, Aluminum, 12mm O.D.)
276C	693497		WASHER, Sealing -(Fuel Solenoid, Aluminum, 17mm O.D.)
385	807084		SCREW -(Fuel Pump)
387	808656		PUMP, Fuel
418	844589		PLATE, Carburetor Cover
527	690423		CLAMP, Tube
601	791850		CLAMP, Hose -(Green)
601A	691145		CLAMP, Hose
601C	691522		CLAMP, Hose
628	806660		SCREW -(Fuel Pump Bracket)
633	690722		SEAL, Choke/Throttle Shaft -(Choke Shaft)
672	843102		GASKET, Carburetor Plate
788	691559		BRACKET, Fuel Pump
947B	808624		SOLENOID, Fuel -Used Before Code Date 09012000
950	694919		SCREW -(Float Bowl)
955	808176		PLUG, Carburetor -(Fuel Solenoid)
955A	807723		PLUG, Carburetor
964	590799		CAP, Connector
964A	807468		CAP, Carburetor
975	844591		BOWL, Float -Used After Code Date 09031500
975A	841160		BOWL, Float -Used Before Code Date 09031600
987	691000		SEAL, Throttle Shaft
987A	808183		SEAL, Choke/Throttle Shaft
1054	280275		TIE, Cable
1091	691516		CAP, Limiter
1124	842678		SEAL, O-Ring -(Fuel Transfer Tube)
1127	841621		SCREW -(Float Bowl to Carburetor Body)
1169	690990		SCREW -(Carburetor Cover Plate)





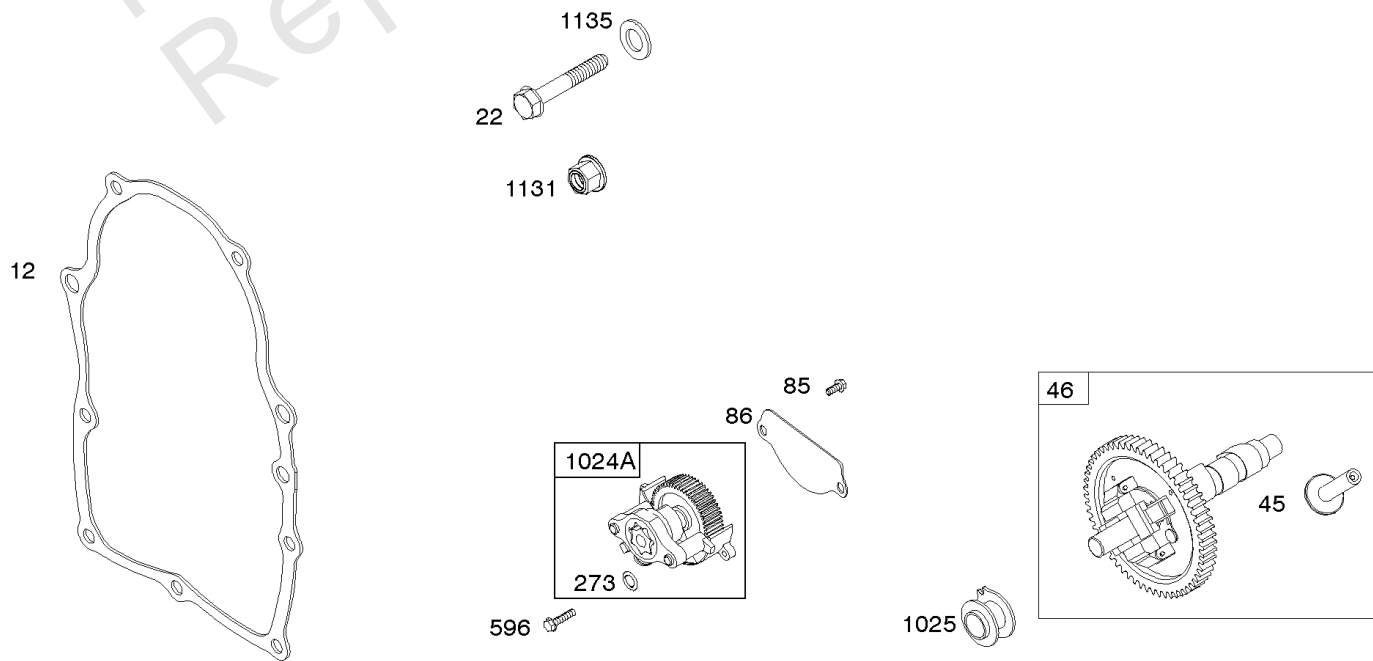
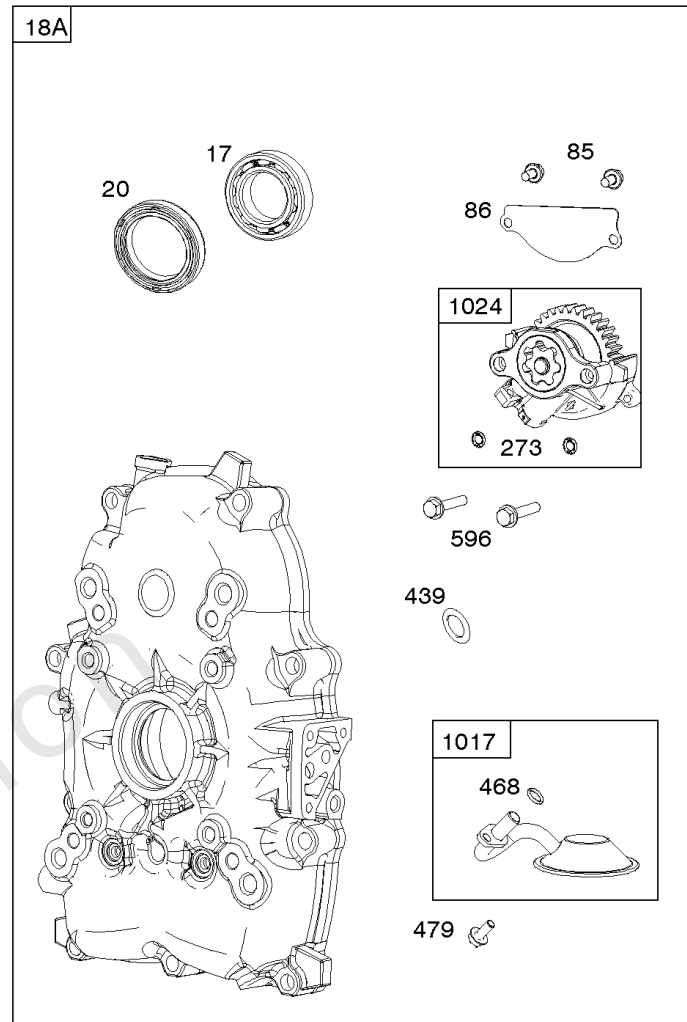
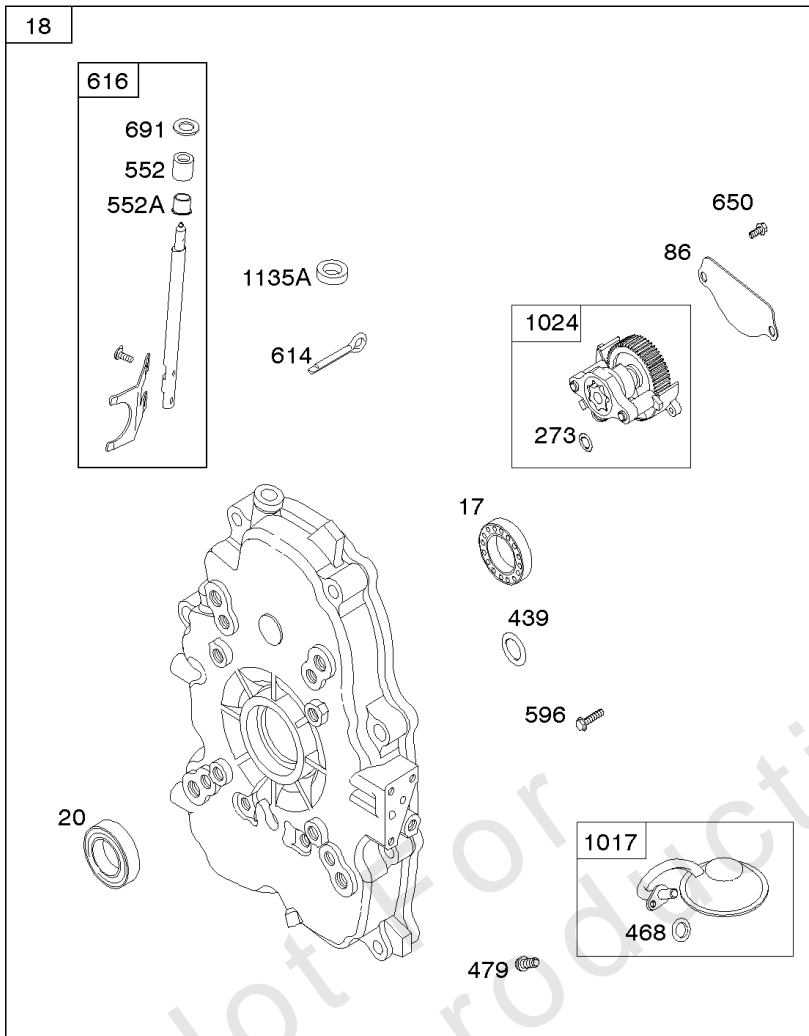
## Carburetors, Fuel Pump

REF NO	PART NO	QTY	DESCRIPTION
51	690950		GASKET, Intake -(Intake Manifold To Carburetor)
94A	844593		KIT, Idle Mixture
95	690718		SCREW -(Throttle Valve)
104	844598		PIN, Float Hinge -(24.5 mm) -Used After Code Date 09031500
105	698537		VALVE, Float Needle
117	699457		JET, Main -(Standard) (Left Jet) -Used After Code Date 09031500
117A	842628		JET, Main -(Standard) (Right Jet) -Used After Code Date 09031500
117D	843099		JET, Main -(Standard) (Left Jet)
118	699820		JET, Main -(High Altitude) Right Jet used on Carburetors: 845653, 845315, 843104
118A	699458		JET, Main -(High Altitude) Left Jet used on Carburetor 845653
118B	845330		JET, Main -(High Altitude) Left Jet used on carburetors 845315, 843104
125C	844716		CARBURETOR -Used Before Code Date 11041300
125C	845280		CARBURETOR -Used After Code Date 11041400
131	843101		KIT, Throttle Shaft
133A	845291		FLOAT, Carburetor -Used Before Code Date 09031600
133A	841545		FLOAT, Carburetor -Used After Code Date 09031500
135	842677		TUBE, Fuel Transfer
137	841651		GASKET, Float Bowl -Used After Code Date 09031500
141	843100		KIT, Choke Shaft
163	692087		GASKET, Air Cleaner -(Air Cleaner)
187	791745		LINE, Fuel -(23 Inches )(Cut To Required Length)
187	791766		LINE, Fuel -(15 Inches Long)(Cut To Required Length)
187D	846584		LINE, Fuel -(Formed)(6.88 Lg)(Cut To Required Length)
187D	791744		LINE, Fuel -(Formed)(14 Inches Long)(Cut To Required Length)
231	690718		SCREW -(Choke Valve)
240B	84001895		FILTER, Fuel
240C	845125		FILTER, Fuel
276D	695410		WASHER, Sealing -(Fuel Solenoid, Aluminum, 12mm O.D.)
385	807084		SCREW -(Fuel Pump)
387	808656		PUMP, Fuel
418	844589		PLATE, Carburetor Cover
527	690423		CLAMP, Tube
601	791850		CLAMP, Hose -(Green)



## Carburetors, Fuel Pump

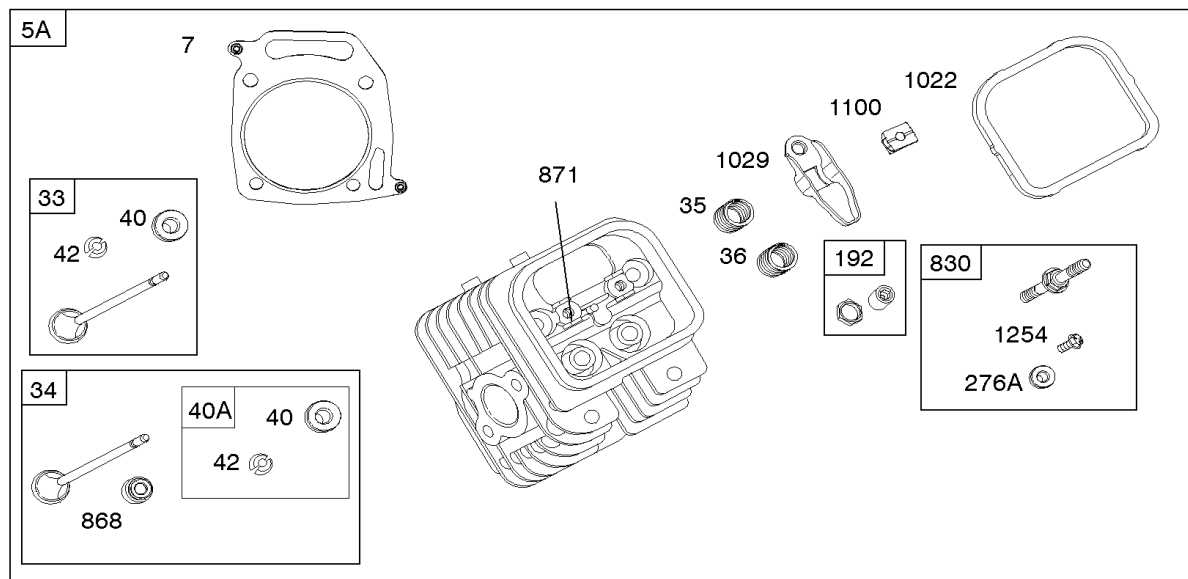
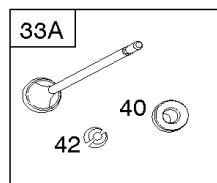
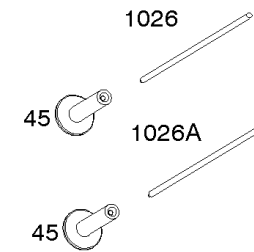
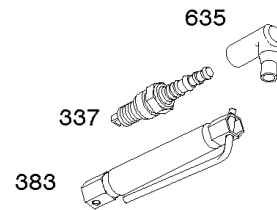
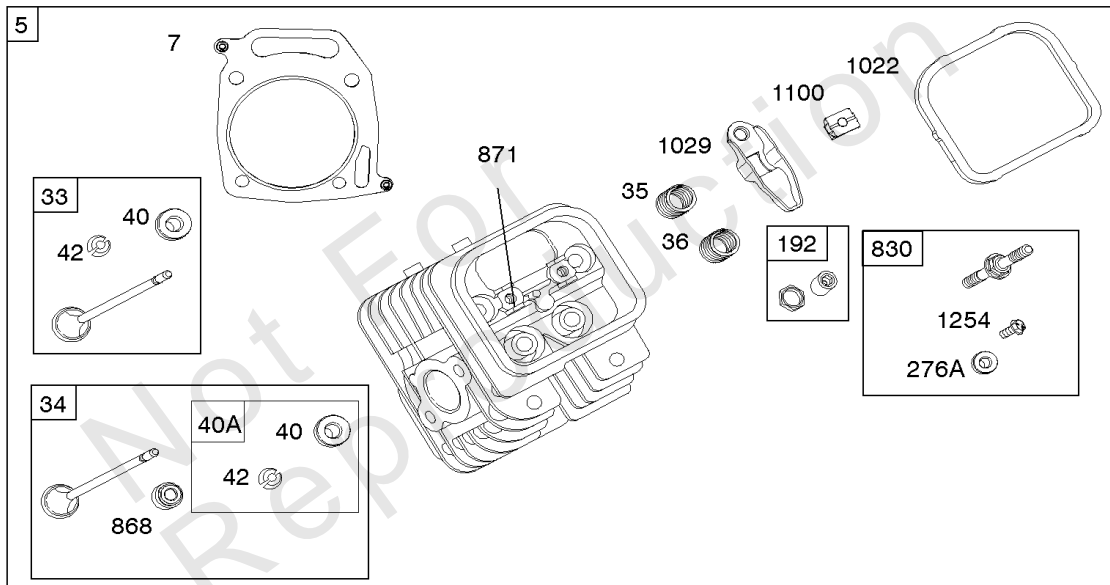
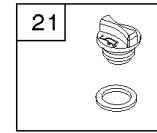
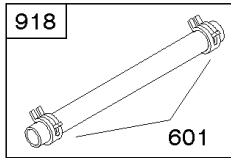
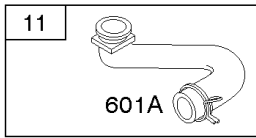
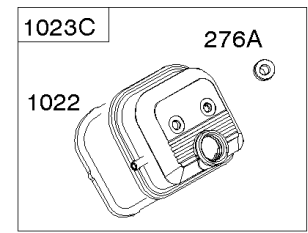
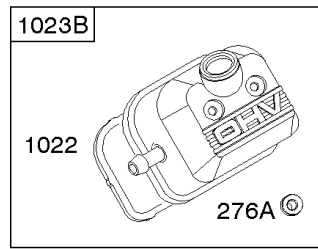
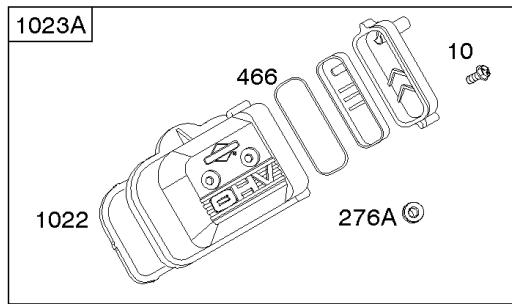
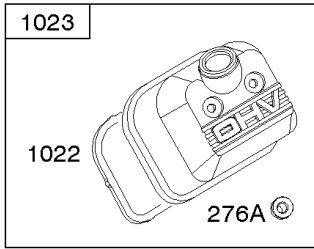
REF NO	PART NO	QTY	DESCRIPTION
601A	691145		CLAMP, Hose
601C	691522		CLAMP, Hose
628	806660		SCREW -(Fuel Pump Bracket)
633	690722		SEAL, Choke/Throttle Shaft -(Choke Shaft)
672	843102		GASKET, Carburetor Plate
788	691559		BRACKET, Fuel Pump
789A	844914		HARNESS, Wiring
918	791880		HOSE, Vacuum -(Cut To Required Length)
947	845654		SOLENOID, Fuel -Used After Code Date 11041300
947A	841546		SOLENOID, Fuel -Used After Code Date 09011900 -Used Before Code Date 11041400
950	694919		SCREW -(Float Bowl)
958	692008		VALVE, Fuel Shut Off -(Used on models with Fuel Shut-off Rods ref #1038)
958	698183		VALVE, Fuel Shut Off
964	590799		CAP, Connector
964A	807468		CAP, Carburetor
975	844591		BOWL, Float -Used After Code Date 09031500
987	691000		SEAL, Throttle Shaft
1054	280275		TIE, Cable
1124	842678		SEAL, O-Ring -(Fuel Transfer Tube)
1127	841621		SCREW -(Float Bowl to Carburetor Body)
1169	690990		SCREW -(Carburetor Cover Plate)



## Crankcase Cover, Lubrication, Cam Shaft

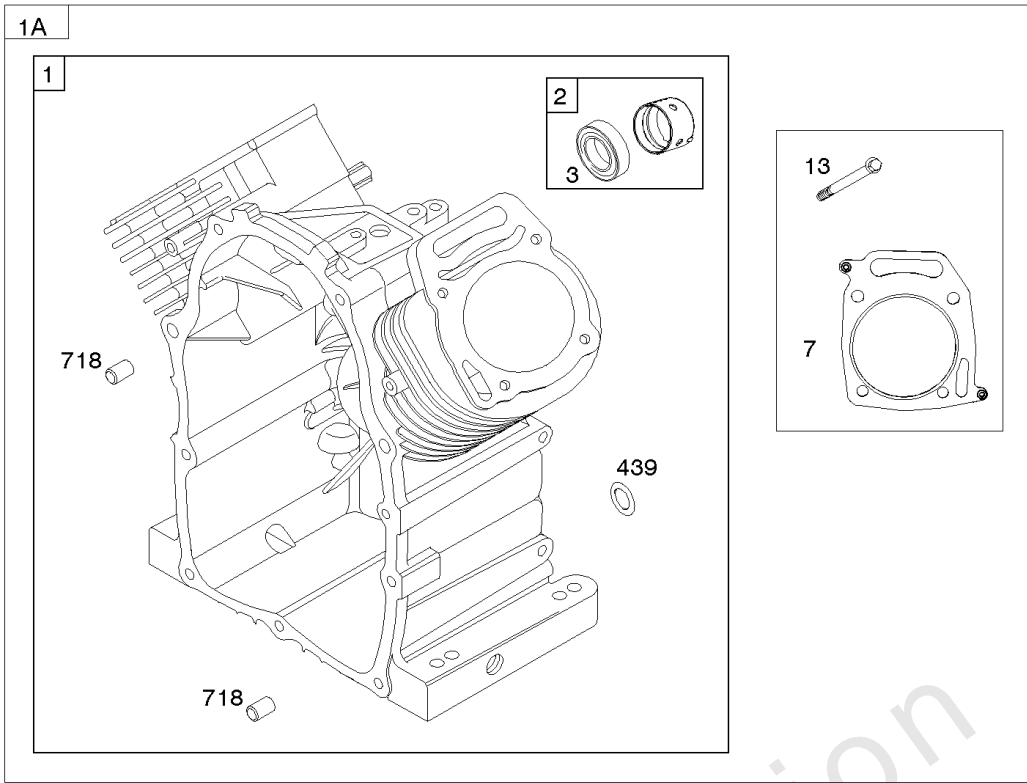
REF NO	PART NO	QTY	DESCRIPTION
12	846487		GASKET, Crankcase
17	843827		BEARING, Ball
18	844588		COVER, Crankcase
20	805049S		SEAL, Oil -(PTO Side)
22	807362		SCREW -(Crankcase Cover/Sump)
45	843379		TAPPET, Valve
46	690927		CAMSHAFT
85	841233		SCREW -(Gear Cover)
86	690745		COVER, Gear
273	690681		SEAL, O-Ring -(Oil Pump)
439	692154		O-RING, Oil Gallery -(Crankcase Cover/Sump or Cylinder Assembly)
468	690690		SEAL, O-Ring -(Oil Pump Screen)
479	807084		SCREW -(Oil Pump Screen)
552	690701		BUSHING, Governor Crank
552A	806686		BUSHING, Governor Crank -(Flanged)
596	691492		SCREW -(Oil Pump)
614	691550		PIN, Cotter
616	806685		CRANK, Governor
650	841233		SCREW -(Oil Deflector)
691	842826		SEAL, Governor Shaft
1017	690900		SCREEN, Oil Pump
1024	843825		PUMP, Oil -Used After Code Date 07101400
1024A	-----		Pump-Oil -(Oil Pump is No Longer Available) (See Reference 18 for correct replacement Crankcase Cover) -Used Before Code Date 07101500
1025	690689		SPOOL, Governor
1135	806497		WASHER -(Crankcase Cover/Sump)
1135A	690704		WASHER -(Crankcase Cover/Sump) (Governor Crank)

1254



## Cylinder Heads, Rocker Covers

REF NO	PART NO	QTY	DESCRIPTION
5	845713		HEAD, Cylinder -(Cylinder 1)
5A	845714		HEAD, Cylinder -(Cylinder 2)
7	842622		GASKET, Cylinder Head
10	806421		SCREW -(Breather Assembly)
11	806379		TUBE, Breather
13	842618		SCREW -(Cylinder Head) (M8x106mm)
21	809500		CAP, Oil Fill
33	806419		VALVE, Exhaust
34	843751		VALVE, Intake -Used Before Code Date 12013100
34	845712		VALVE, Intake -Used After Code Date 12020100
35	692084		SPRING, Valve -(Intake)
36	809374		SPRING, Valve -(Exhaust)
40	692058		RETAINER, Valve
40A	844895		RETAINER, Valve
42	807683		KEEPER, Valve
45	843379		TAPPET, Valve
192	807623		ADJUSTER, Rocker Arm
276A	807085		WASHER, Sealing -(Rocker Cover)
337	792015		PLUG, Spark
466	806466		SEAL, O-Ring -(Breather Assembly)
601	791850		CLAMP, Hose -(Green)
601A	691145		CLAMP, Hose
635	692076		BOOT, Spark Plug
830	809157		STUD, Rocker Arm -(Rocker Arm)
868	691963		SEAL, Valve -(Intake Valve)
871	692057		BUSHING, Valve Guide
918	791880		HOSE, Vacuum -(Cut To Required Length)
1022	806039S		GASKET, Rocker Cover
1023	843749		COVER, Rocker
1023A	843750		COVER, Rocker -(Cylinder 2)
1023B	690910		COVER, Rocker
1023C	842823		COVER, Rocker
1026	691836		ROD, Push -(Intake)(Steel)
1026A	691758		ROD, Push -(Exhaust)(Aluminum)
1029	807323		ARM, Rocker
1100	791959		PIVOT, Rocker Arm
1254	807084		SCREW -(Rocker Arm Stud)



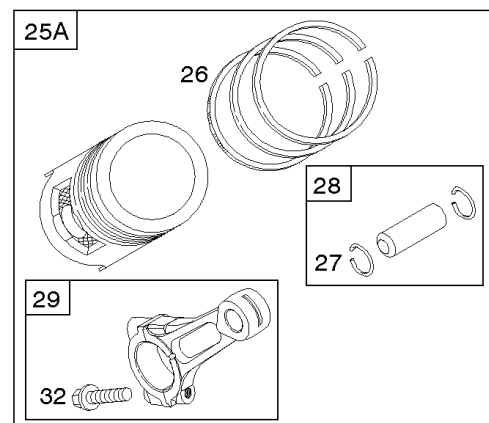
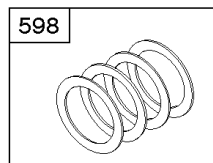
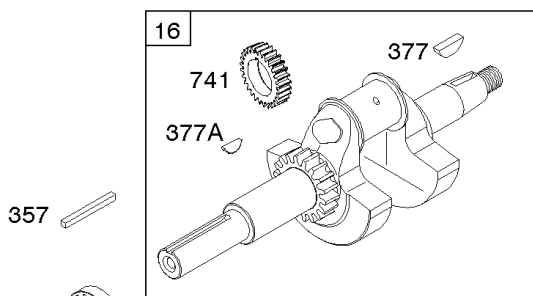
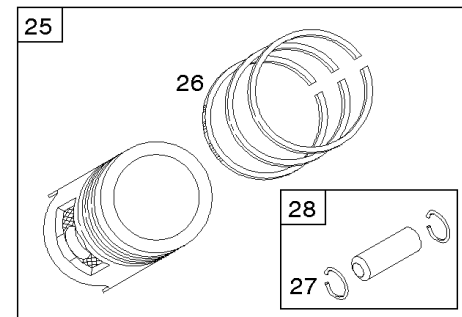
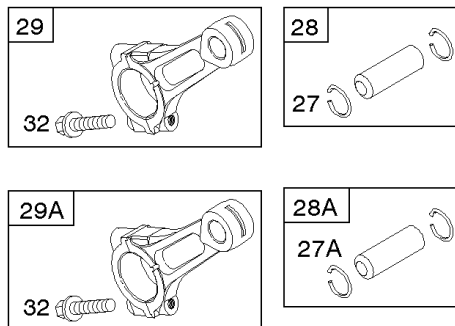
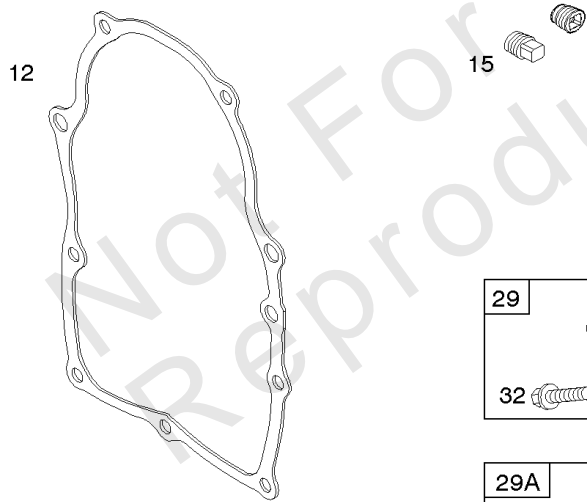
1036 EMISSIONS LABEL

1330 REPAIR MANUAL

1319 WARNING LABEL

<b>WARNING</b>	
	Read and follow Operating Instructions before running engine.
	Gasoline is flammable. Allow engine to cool at least 2 minutes before refueling.
	Engines emit carbon monoxide, DO NOT run in enclosed area.
	Muffler area temperature may exceed 150°F. Do not touch hot parts.

**REQUIRED** when replacing parts with warning labels affixed.

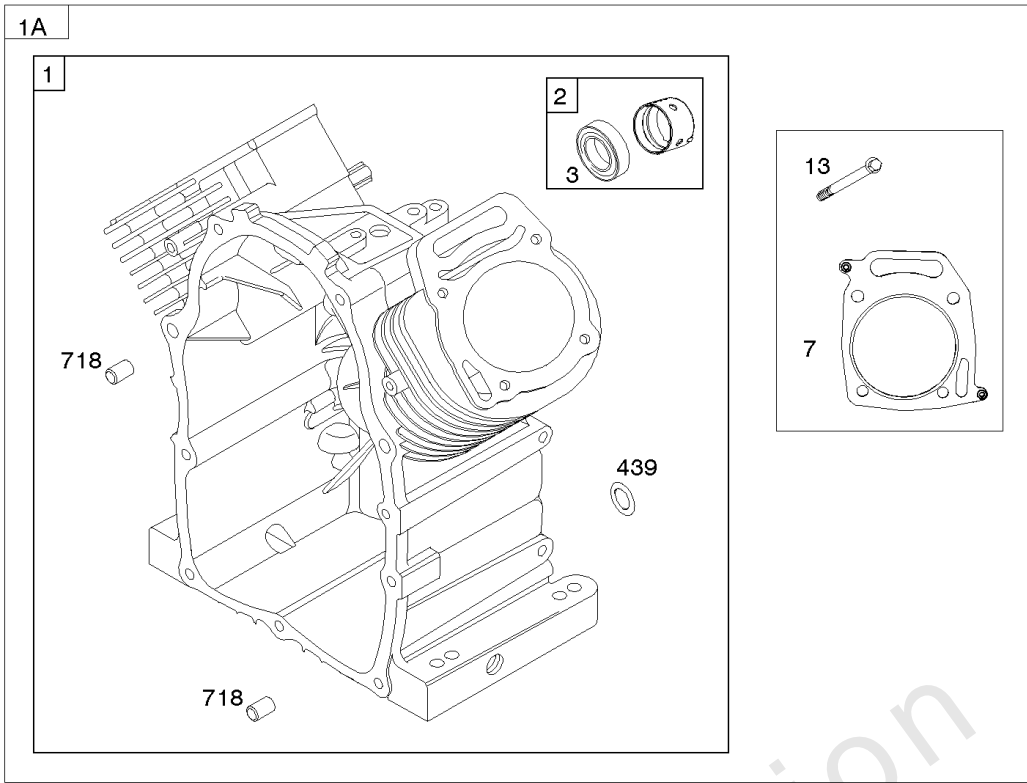


1133



## Cylinder, Piston/Rings/Rods, Crankshaft

REF NO	PART NO	QTY	DESCRIPTION
1	842684		CYLINDER ASSEMBLY -Used After Code Date 05073100
1A	845784		CYLINDER ASSEMBLY -Used Before Code Date 05080100
2	808534		KIT, Bushing/Seal -(Magneto Side)
3	805101S		SEAL, Oil -(Magneto Side)
7	842622		GASKET, Cylinder Head
12	846487		GASKET, Crankcase
13	842618		SCREW -(Cylinder Head) (M8x106mm)
15	691680		PLUG, Oil Drain -(3/8"-18 NPTF - Internal 3/8" Sq)
15	690946		PLUG, Oil Drain -(3/8"-18 NPTF-External 7/16" Sq)
16	843810		CRANKSHAFT -Used After Code Date 07062900
17	843827		BEARING, Ball
25	843823		PISTON ASSEMBLY -(.020 Oversize) (Includes Connecting Rod, Piston, Rings, Piston Pin andPiston Pin Locks)
25	843805		PISTON ASSEMBLY -(Standard) -Used After Code Date 07062900
25A	844009		PISTON ASSEMBLY -(Standard) (Includes Connecting Rod, Piston, Rings, Piston Pin andPiston Pin Locks) -Used Before Code Date 07063000
26	843806		SET, Ring -(Standard)
26	843824		SET, Ring -(.020 Oversize)
27	690683		LOCK, Piston Pin -Used After Code Date 07062900
27A	806378		LOCK, Piston Pin -Used Before Code Date 07063000
28	844023		PIN, Piston -Used After Code Date 07062900
28A	808526		PIN, Piston -Used Before Code Date 07063000
29	807900S		ROD, Connecting -Used After Code Date 07062900
29A	-----		Rod-Connecting -(No Longer Available, For Replacement See Reference 25A) -Used Before Code Date 07063000
32	690698		SCREW -(Connecting Rod)
377	808095		KEY, Flywheel
377A	691639		KEY, Woodruff
439	692154		O-RING, Oil Gallery -(Crankcase Cover/Sump or Cylinder Assembly)
598	807625		SHIM, End Play -(Crankshaft or Camshaft Bearing)
718	806469		PIN, Locating -(Cylinder)
741	846085		GEAR, Timing
1036	-----		Label-Emissions -(Available From A Briggs & Stratton Authorized Dealer)
1133	690342		SCREW -(Crankshaft)



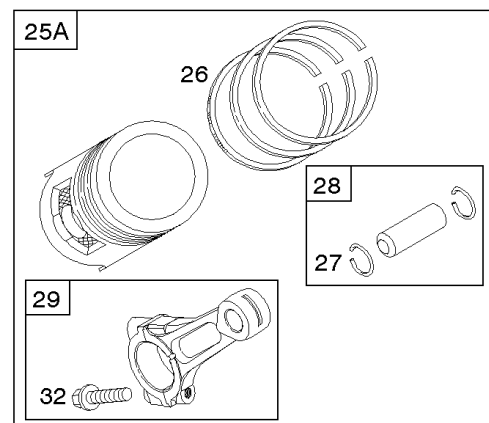
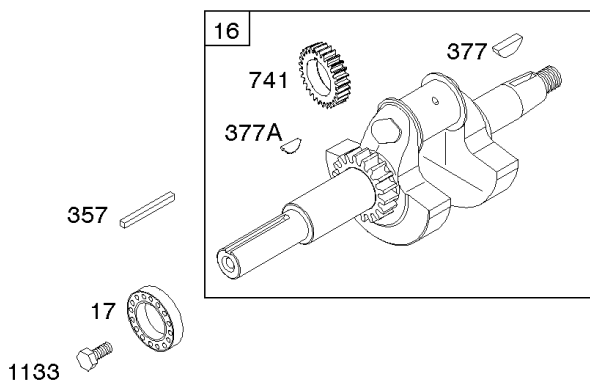
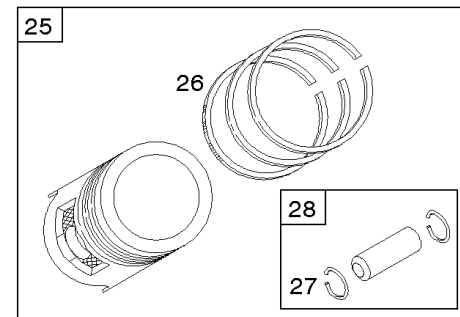
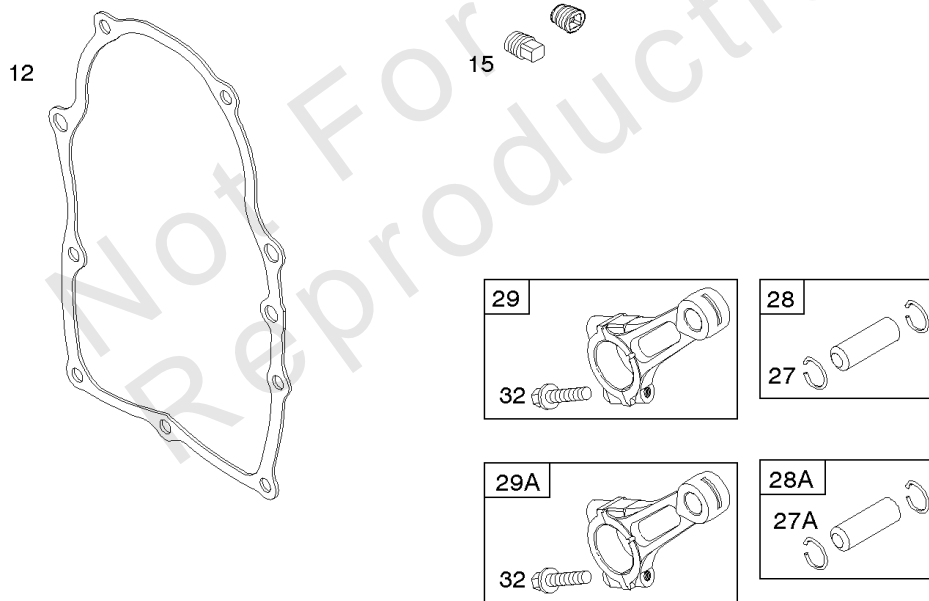
1036 EMISSIONS LABEL

1330 REPAIR MANUAL

1319 WARNING LABEL

<b>WARNING</b>	
	Read and follow Operating Instructions before running engine.
	Gasoline is flammable. Allow engine to cool at least 2 minutes before refueling.
	Engines emit carbon monoxide, DO NOT run in enclosed area.
	Muffler area temperature may exceed 150°F. Do not touch hot parts.

**REQUIRED** when replacing parts with warning labels affixed.



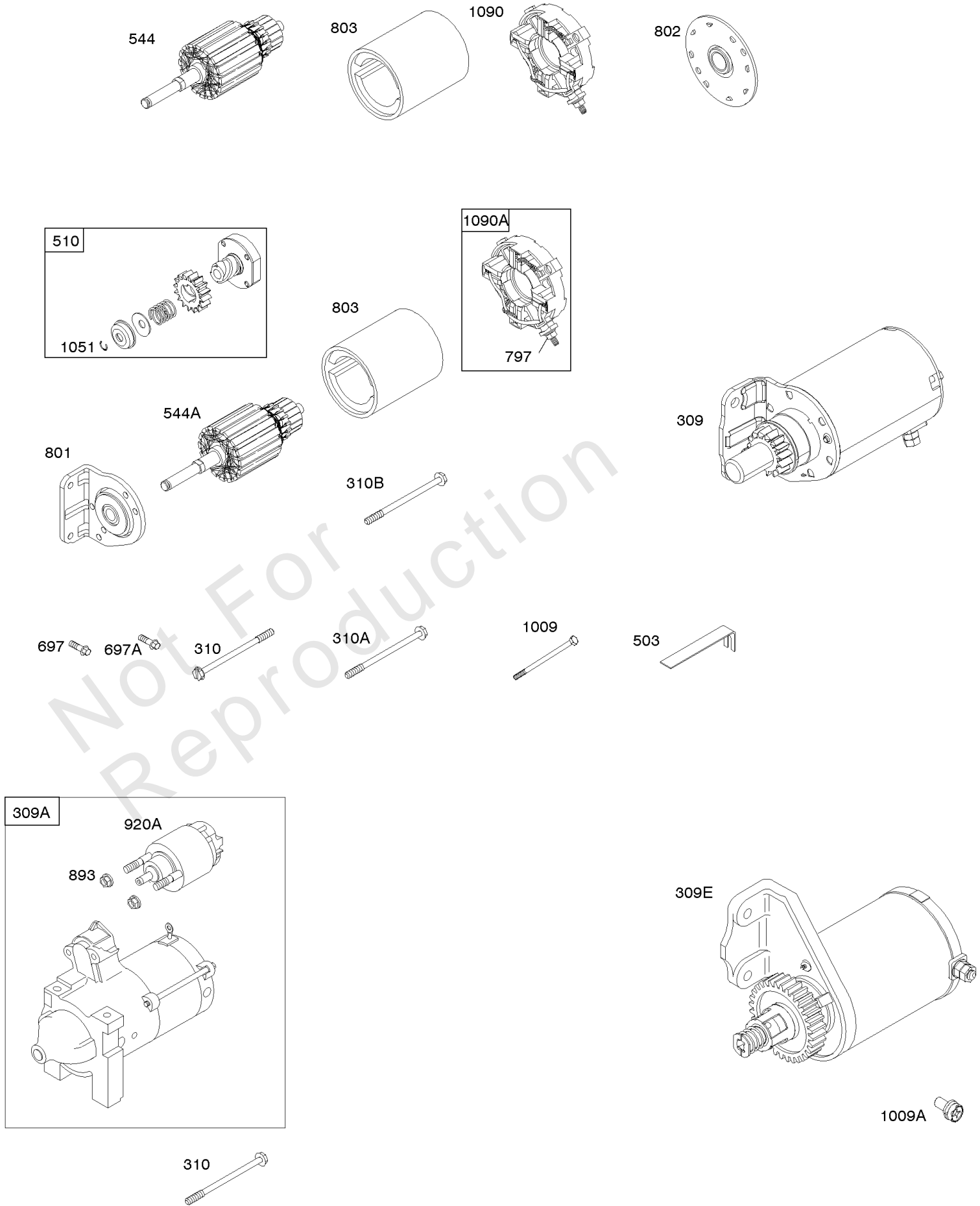
## *Cylinder, Piston/Rings/Rods, Crankshaft*

---

REF NO	PART NO	QTY	DESCRIPTION
1319	794467		LABEL, Warning
1330	272144		MANUAL, Repair

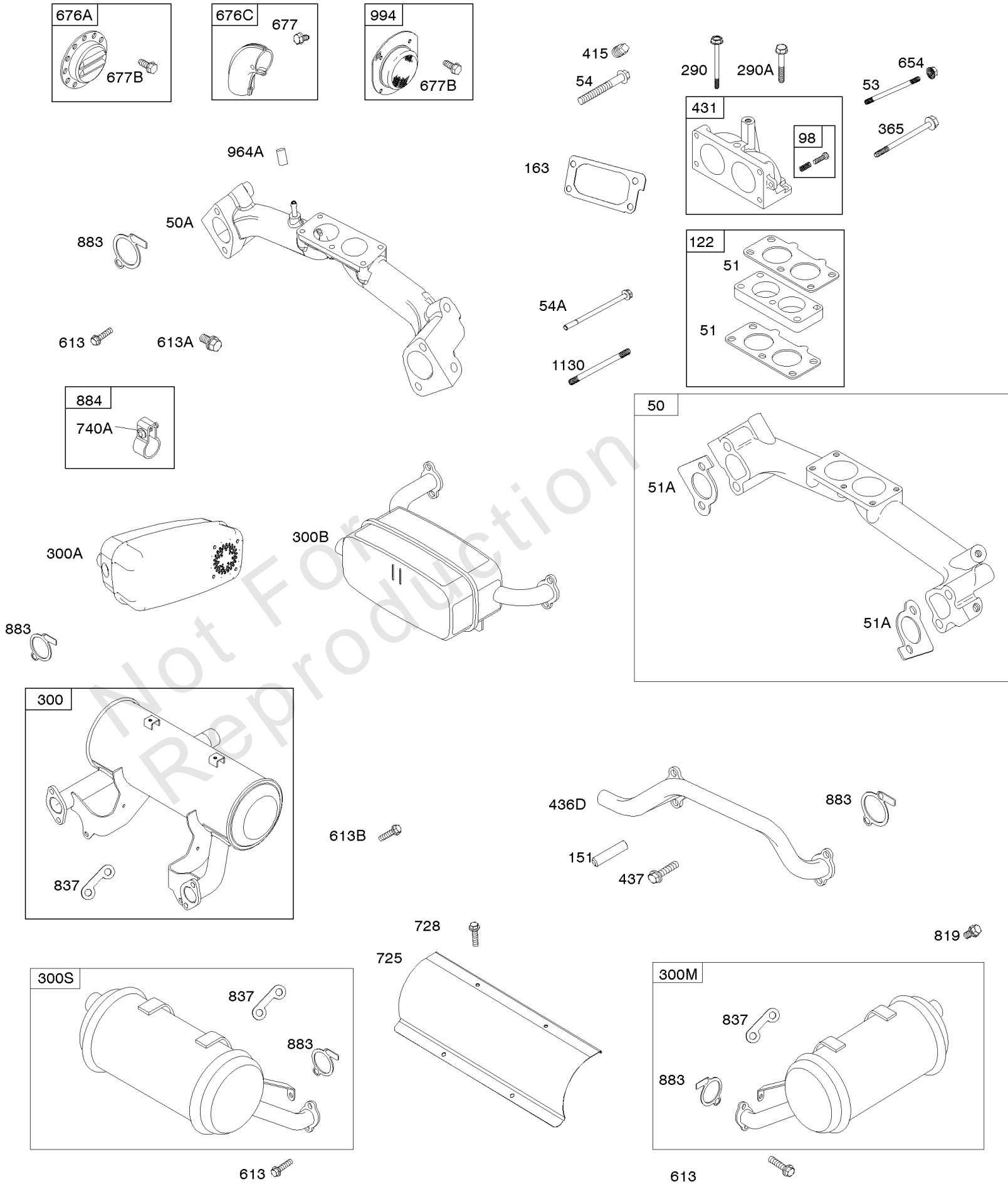
---

Not For Reproduction



## Electric Starter

REF NO	PART NO	QTY	DESCRIPTION
309	846451		MOTOR, Starter -Used Before Code Date 11011500
309E	844717		MOTOR, Starter -Used After Code Date 11011400
310A	690323		SCREW -(Starter Motor) (#10-24x4.4" Long)
503	845016		STRAP, Starter -(60mm )
510	496881		DRIVE, Starter -(Steel Pinion Gear) -Used Before Code Date 14052800
544	693548		ARMATURE, Starter
544A	-----		Armature-Starter -(For Replacement Starter Motor, Order Reference 309)
697	692062		SCREW -(Starter Motor) (Drive Cap) (M8x18mm)
697A	691902		SCREW -(Starter Motor) (Drive Cap) (M8x20mm)
797	691029		NUT -(Brush Retainer)
801	-----		Cap-Drive -(NO LONGER AVAILABLE)
802	691286		CAP, End
803	-----		Housing-Starter -(NO LONGER AVAILABLE)
1009A	691902		SCREW -(USE REFERENCE 697 ONLY) (M8x20mm)
1051	691124		RING, Retaining -Used Before Code Date 14052800
1090	691293		RETAINER, Brush -Used Before Code Date 14052800

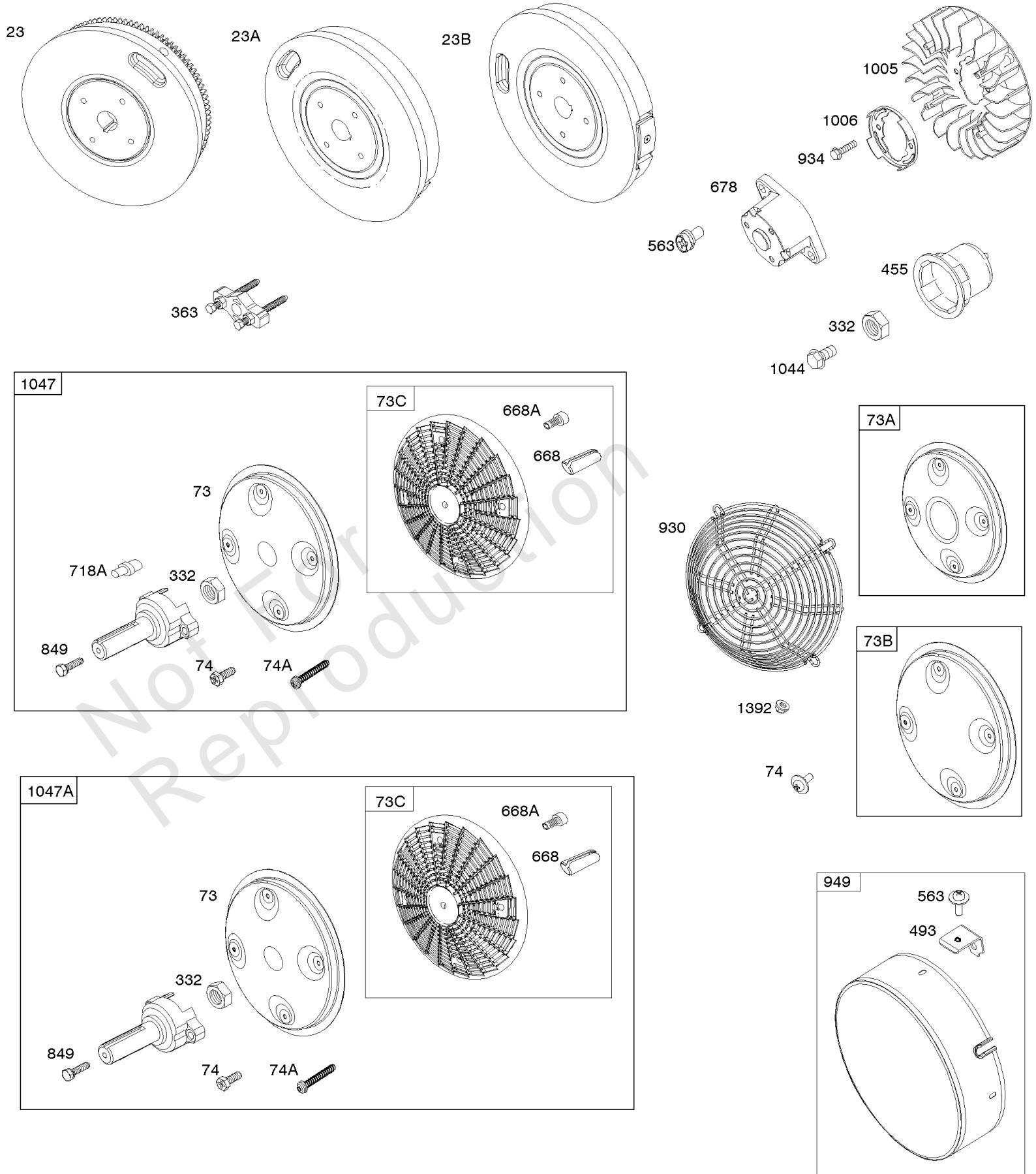


## Exhaust System, Intake Manifold

REF NO	PART NO	QTY	DESCRIPTION
50	806376		MANIFOLD, Intake
51	690950		GASKET, Intake -(Intake Manifold To Carburetor)
51A	806418		GASKET, Intake -(Intake Manifold to Cylinder Head)
53	690746		STUD -(Carburetor)
54	806444		SCREW -(Intake Manifold) (M6x30mm)
54A	847021		SCREW -(Intake Manifold) (M6 x 100mm)
98	843545		KIT, Idle Speed -(Intake Elbow)
122	690870		SPACER, Carburetor
163	692087		GASKET, Air Cleaner -(Air Cleaner)
290	691537		SCREW -(Intake Elbow) (M6x70mm)
290A	691492		SCREW -(Intake Elbow) (M6x30mm)
300M	808896		MUFFLER -(Oil Filter Side Outlet)
365	690866		SCREW -(Carburetor/Throttle Body)
415	794903		PLUG -(Oil Pressure Switch)
431	808659		MANIFOLD, Intake
437	691902		SCREW -(Exhaust Manifold)
613	691902		SCREW -(Muffler) (M8x20mm)
613A	690297		SCREW -(Muffler) (1/4-20 x 0.62 )
613B	692328		SCREW -(Muffler)
654	690939		NUT -(Carburetor)
676A	795038		DEFLECTOR, Muffler
676C	495518		DEFLECTOR, Muffler
677	810079		SCREW -(Muffler Deflector)
677B	690661		SCREW -(Muffler Deflector) (M8x18mm)
725	846568		SHIELD, Heat
728	692067		SCREW -(Heat Shield)
740A	793859		NUT -(Muffler Bracket)
819	692056		SCREW -(Muffler Bracket) (M8x14mm)
837	808085		SPACER, Muffler -(Includes 2)
883	806425		GASKET, Exhaust
884	691956		CLAMP, Muffler
964A	807468		CAP, Carburetor
994	794945		ARRESTOR, Spark
1130	690746		STUD -(Intake Manifold) (M6x106mm)

# Flywheel, Stub Shaft, Rotating Screen

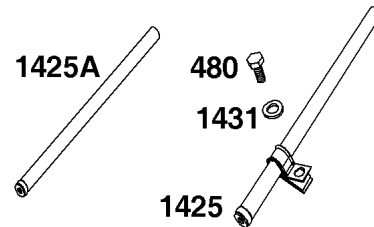
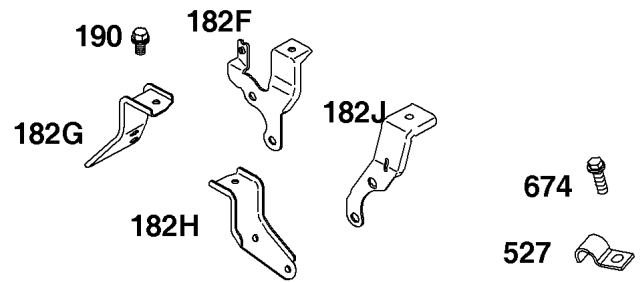
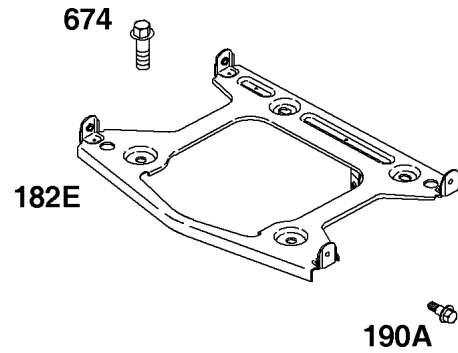
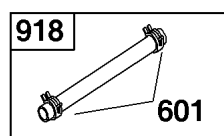
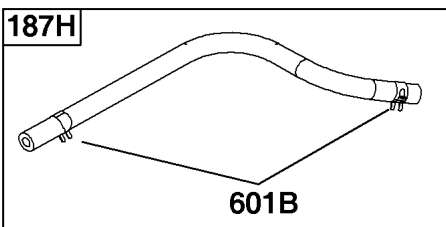
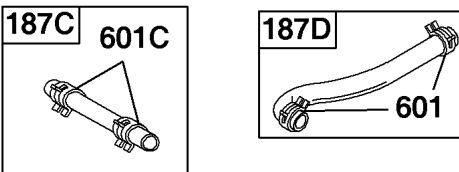
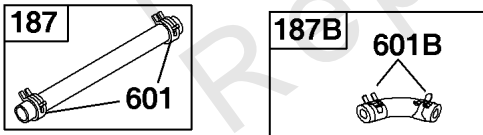
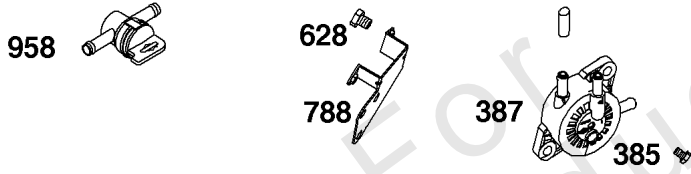
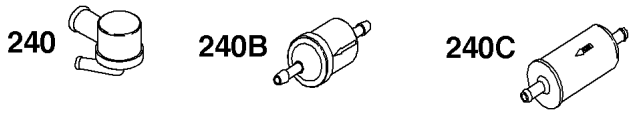
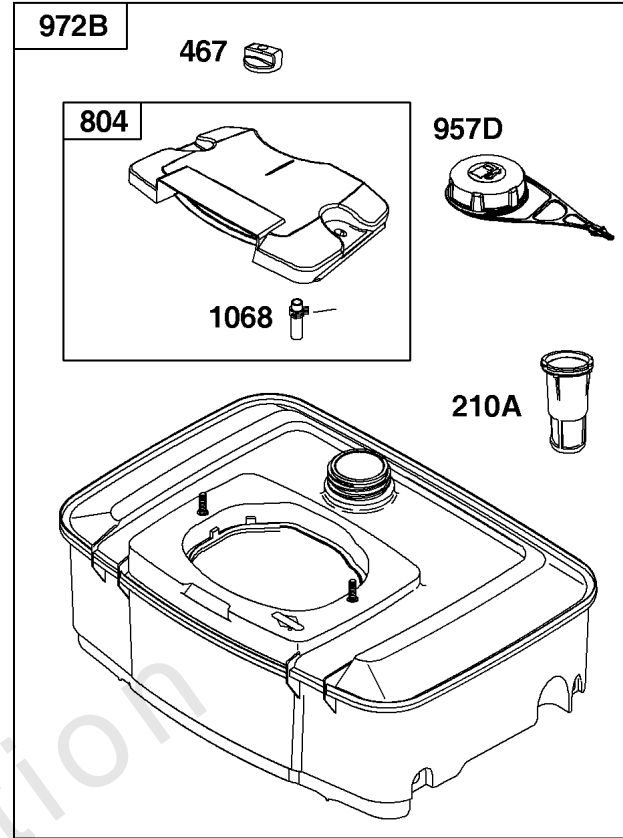
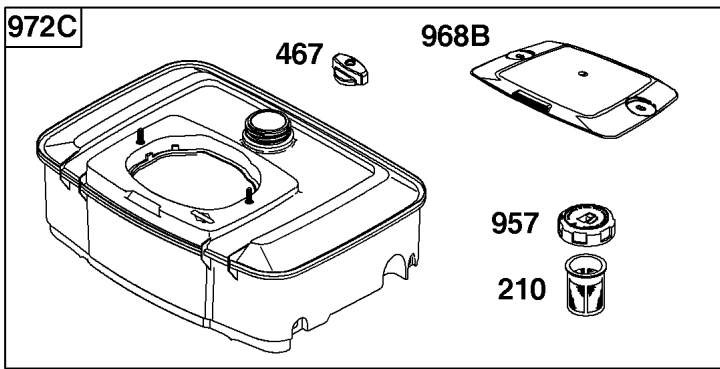
Mfg. No: 386447-0189-B1





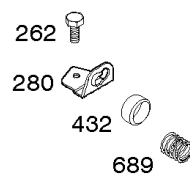
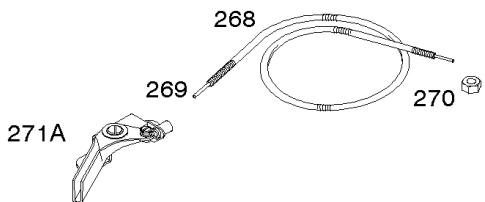
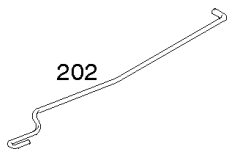
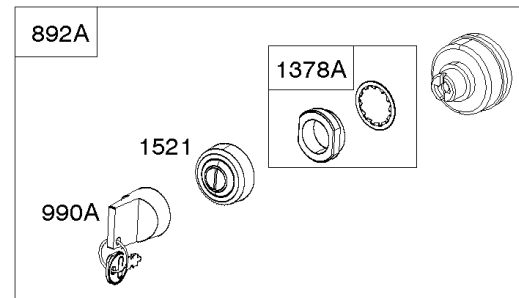
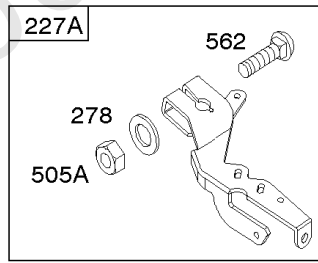
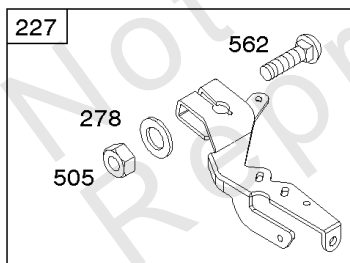
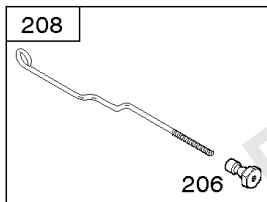
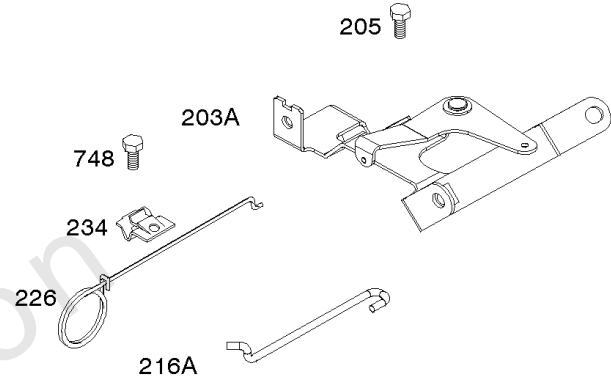
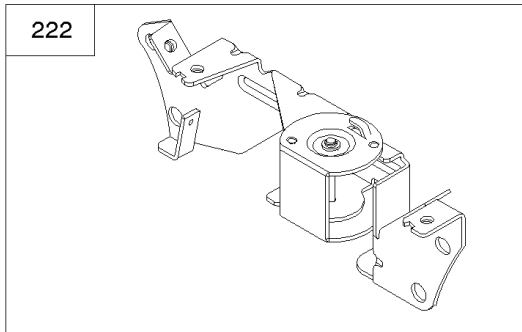
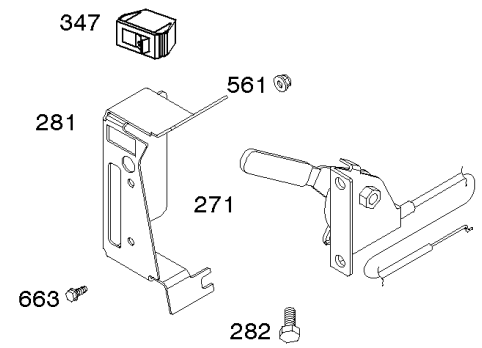
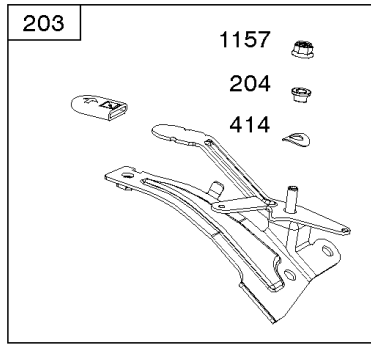
## ***Flywheel, Stub Shaft, Rotating Screen***

<b>REF NO</b>	<b>PART NO</b>	<b>QTY</b>	<b>DESCRIPTION</b>
23	809236		FLYWHEEL -(16 Amp)
73A	841662		SCREEN, Rotating
73C	494439		SCREEN, Rotating
74	841441		SCREW -(Rotating Screen) (M5x14mm)
74A	691088		SCREW -(Rotating Screen)
332	690887		NUT -(Flywheel)
363	19203		PULLER, Flywheel
455	841794		CUP, Flywheel
493	845729		BRACKET, Mounting
563	841735		SCREW -(Debris Screen Guard)
668	691215		SPACER -(Rotating Screen)
668A	691500		SPACER -(Rotating Screen)
678	841730		SPACER -(Rewind)
718A	841581		PIN, Locating
849	691088		SCREW -(Stub Shaft)
930	846284		GUARD, Flywheel Fan
934	691058		SCREW -(Fan Retainer)
934	692062		SCREW -(Fan Retainer) (M8x18mm)
949	845728		GUARD, Debris Screen
1005	841439		FAN, Flywheel
1006	690452		RETAINER, Fan
1044	692056		SCREW -(Flywheel)
1392	690939		NUT -(Rewind Guard)



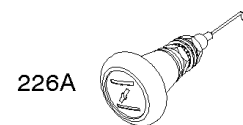
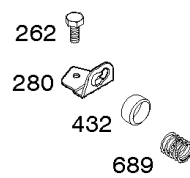
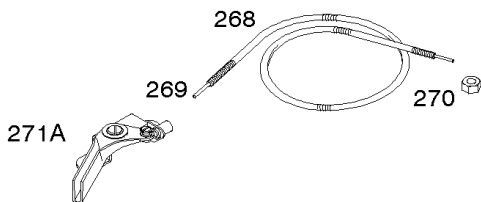
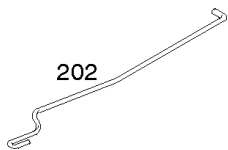
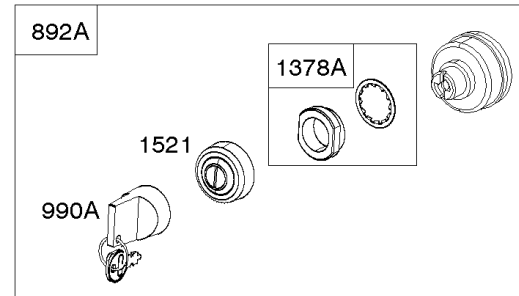
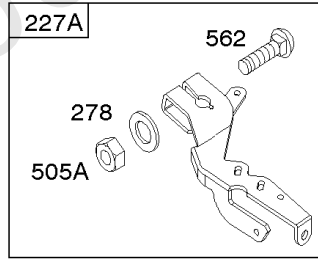
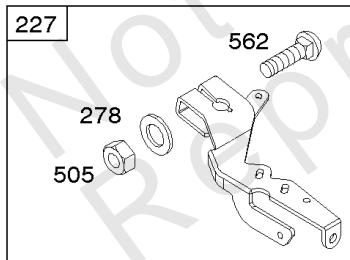
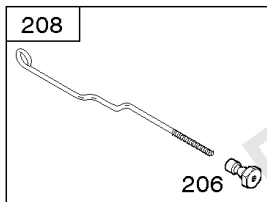
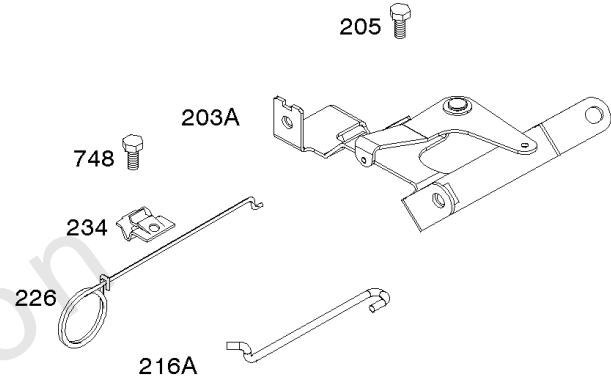
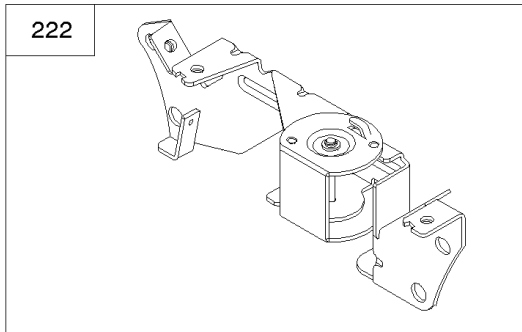
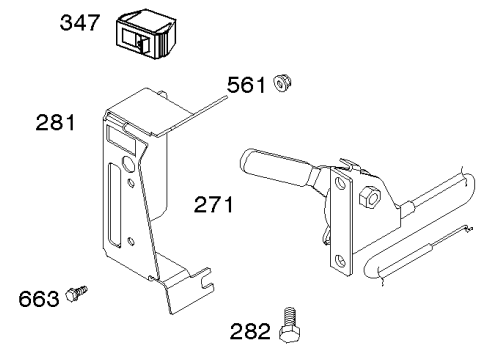
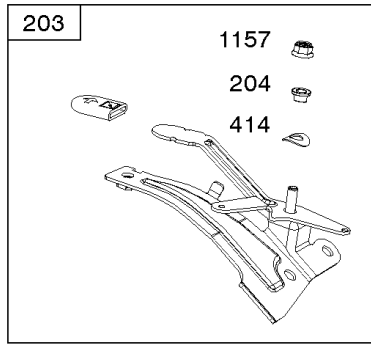
## Fuel Supply

REF NO	PART NO	QTY	DESCRIPTION
182F	691520		BRACKET, Fuel Tank
182G	841600		BRACKET, Fuel Tank
182H	691524		BRACKET, Fuel Tank
182J	691525		BRACKET, Fuel Tank
187	791745		LINE, Fuel -(23 Inches )(Cut To Required Length)
187	791766		LINE, Fuel -(15 Inches Long)(Cut To Required Length)
187B	846567		LINE, Fuel -(Formed Hose)
187C	692106		LINE, Fuel
187D	846584		LINE, Fuel -(Formed)(6.88 Lg)(Cut To Required Length)
187D	791744		LINE, Fuel -(Formed)(14 Inches Long)(Cut To Required Length)
190	845964		SCREW -(Fuel Tank) (M8x10mm)
190A	692199		SCREW -(Fuel Tank) (1/4-20 x 0.62 )
210A	845270		STRAINER, Fuel
240	844545		FILTER, Fuel
240B	84001895		FILTER, Fuel
240C	845125		FILTER, Fuel
385	807084		SCREW -(Fuel Pump)
387	808656		PUMP, Fuel
467	691985		KNOB, Air Cleaner Cover -Used Before Code Date 10040100
467	846431		KNOB, Air Cleaner Cover -Used After Code Date 10033100
480	806660		SCREW -(Tube Clamp)
527	690423		CLAMP, Tube
601	791850		CLAMP, Hose -(Green)
601B	691038		CLAMP, Hose
601E	846483		CLAMP, Hose
601C	691522		CLAMP, Hose
628	806660		SCREW -(Fuel Pump Bracket)
674	692062		SCREW -(Fuel Tank Bracket) (M8x18mm)
788	691559		BRACKET, Fuel Pump
804	844727		CANISTER, Carbon -(EVAP)
918	791880		HOSE, Vacuum -(Cut To Required Length)
957A	844728		CAP, Fuel Tank -(Tethered)(Ring)
957D	847578		CAP, Fuel Tank -(Tethered)(Spade)
958	692008		VALVE, Fuel Shut Off -(Used on models with Fuel Shut-off Rods ref #1038)
958	698183		VALVE, Fuel Shut Off
972B	844726		TANK, Fuel
1068	845143		HOSE/CLAMP ASSEMBLY



## Governor Springs, Controls

REF NO	PART NO	QTY	DESCRIPTION
188	692056		SCREW -(Control Bracket) (M8x14mm)
188	845964		SCREW -(Control Bracket) (M8x10mm)
202	691536		LINK, Mechanical Governor
203	808753		CRANK, Bell
204	692884		BUSHING, Lever
205	841233		SCREW -(Bell Crank)
206	691244		NUT, Governor Adjusting
208	808453		ROD, Governor Control
209A	690709		SPRING, Governor -(Green)
211A	691504		SPRING, Governed Idle -(Blue)
216	691542		LINK, Choke
222	845305		BRACKET, Control
227A	845484		LEVER, Governor Control
232	691538		SPRING/LINK, Governor
234	691723		CLIP, Control Rod
262	692083		SCREW -(Rod Bracket)
265	691024		CLAMP, Casing
267	841552		SCREW -(Casing Clamp) (M5x20mm)
268	691025		CASING, Control Wire -(Cut To Required Length)
269	691026		WIRE, Control -(Cut To Required Length)
270	691027		NUT -(Control Wire Casing)
271	692541		LEVER, Control
271A	691028		LEVER, Control
278	842122		WASHER -(Governor Control Lever)
280	691526		BRACKET, Fixed Speed
281	690742		PANEL, Control
282	692083		SCREW -(Control Lever)
347	691995		SWITCH-ROCKER
414	690344		WASHER -(Bell Crank)
432	691509		CAP, Spring
505	690238		NUT -(Governor Lever)
505A	844752		NUT -(Governor Control Lever)
561	690713		NUT -(Control Lever)
562	690239		BOLT -(Governor Control Lever)
663	692083		SCREW -(Control Panel)
689	691272		SPRING, Friction
748	692083		SCREW -(Control Rod Clip) (M5x12mm)
990A	847146		SET, Key -(Waterproof)

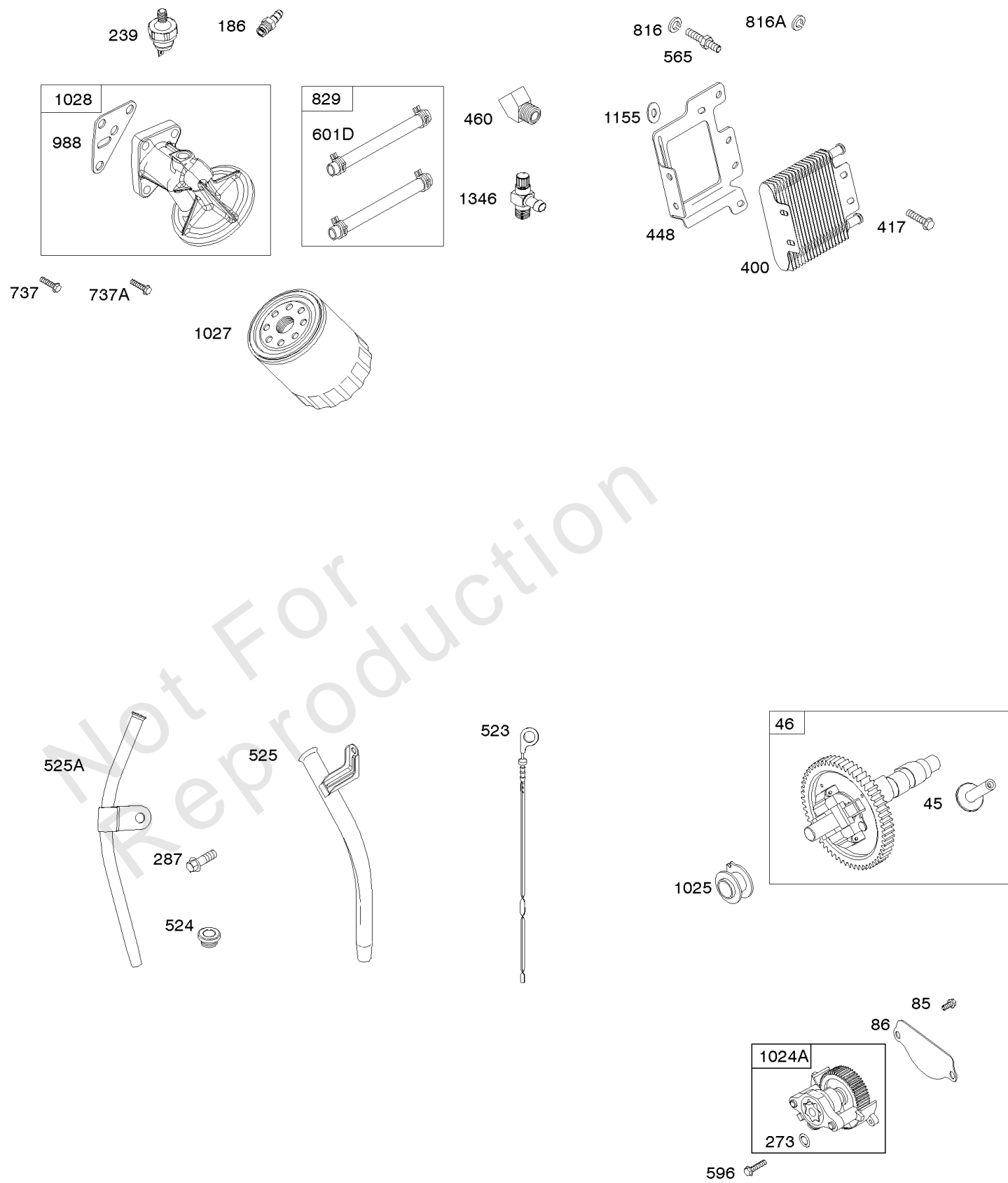


## Governor Springs, Controls

---

REF NO	PART NO	QTY	DESCRIPTION
1157	690713		NUT -(Bell Crank)
1378A	847144		SET, Washer/Nut
1521	847150		CAP, Switch -(Waterproof)

Not For Reproduction





## Lubrication, Cam Shaft

REF NO	PART NO	QTY	DESCRIPTION
45	843379		TAPPET, Valve
46	690927		CAMSHAFT
85	841233		SCREW -(Gear Cover)
86	690745		COVER, Gear
186	693184		CONNECTOR, Hose
239	690233		SWITCH, Oil Pressure
273	690681		SEAL, O-Ring -(Oil Pump)
287	692062		SCREW -(Dipstick Tube)
400	846489		COOLER, Oil
417	843345		SCREW -(Oil Cooler)
448	841488		BRACKET, Oil Cooler
460	806667		CONNECTOR, Filter Adapter
523	693175		DIPSTICK
524	693172		SEAL, O-Ring -(Dipstick Tube)
525	693174		TUBE, Dipstick
565	690682		STUD -(Oil Filter Adapter)
596	691492		SCREW -(Oil Pump)
601D	841597		CLAMP, Hose -(Oil Cooler Hose)
737	690679		SCREW -(Oil Filter Adapter) (M6x21mm)
737A	841233		SCREW -(Oil Filter Adapter) (M6x10mm)
816	690706		WASHER -(Oil Filter Adapter) (Lockwasher)
816A	806647		WASHER -(Oil Filter Adapter) (Flat Washer)
829	841999		HOSE/CLAMP ASSEMBLY -(Cut To Required Length)
988	692063		GASKET, Oil Adapter
1024A	-----		Pump-Oil -(Oil Pump is No Longer Available) (See Reference 18 for correct replacement Crankcase Cover) -Used Before Code Date 07101500
1025	690689		SPOOL, Governor
1027	842921		FILTER, Oil
1028	843898		ADAPTER, Oil Filter
1155	806647		WASHER -(Oil Cooler)

## Replacement Engine - US & Canada

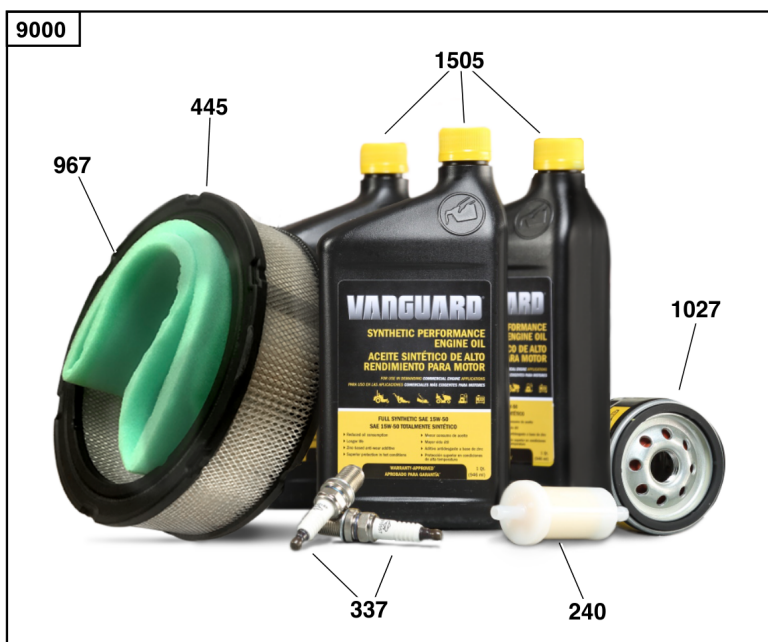
REF NO	PART NO	QTY	DESCRIPTION
	3864473078	1	Replacement Engine
	695392	1	Replacement Short Block
-----			Top No-Load Speed: 3150 -Trim: ALL
-----			Service Note: For all Go-Karts use only a Model 136200 series engine as a replacement, regardless of the original Model.
-----			Service Note: Transfer the Carburetor Float Bowl and/or Fuel Solenoid Assembly to the replacement engine.

Not For Reproduction



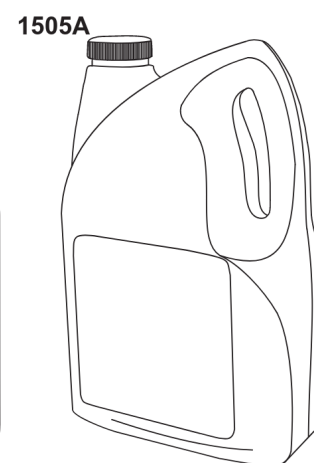
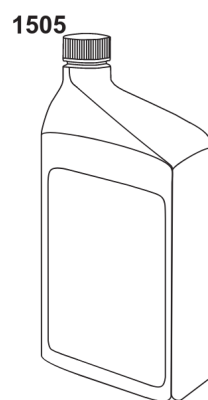
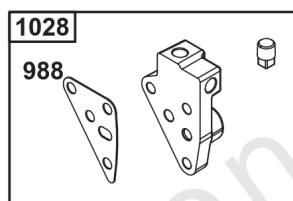
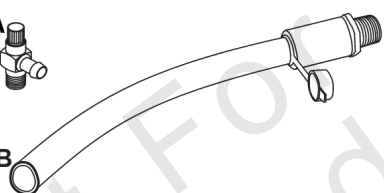
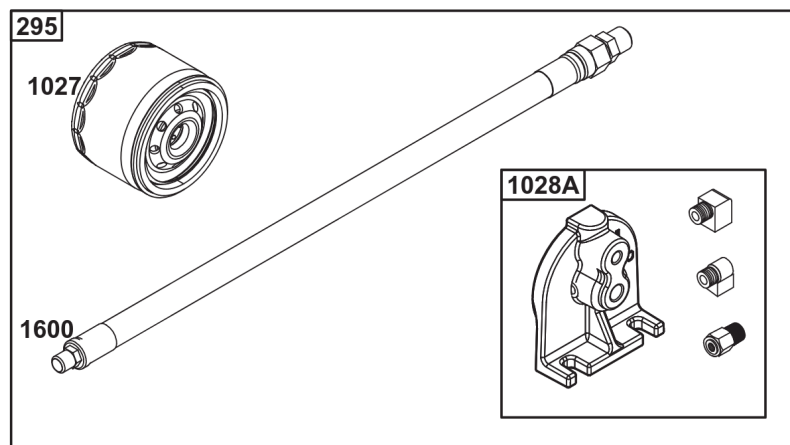
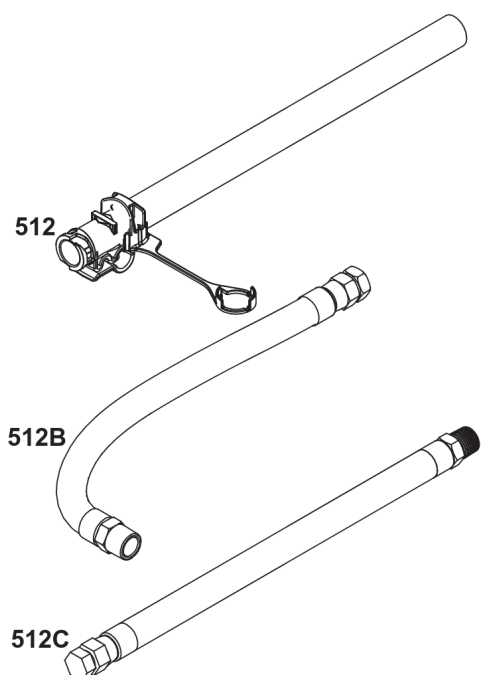
# Model 29, 30, 35 & 38 Engine Accessories Catalog

Not For  
Reproduction



## Maintenance Kits

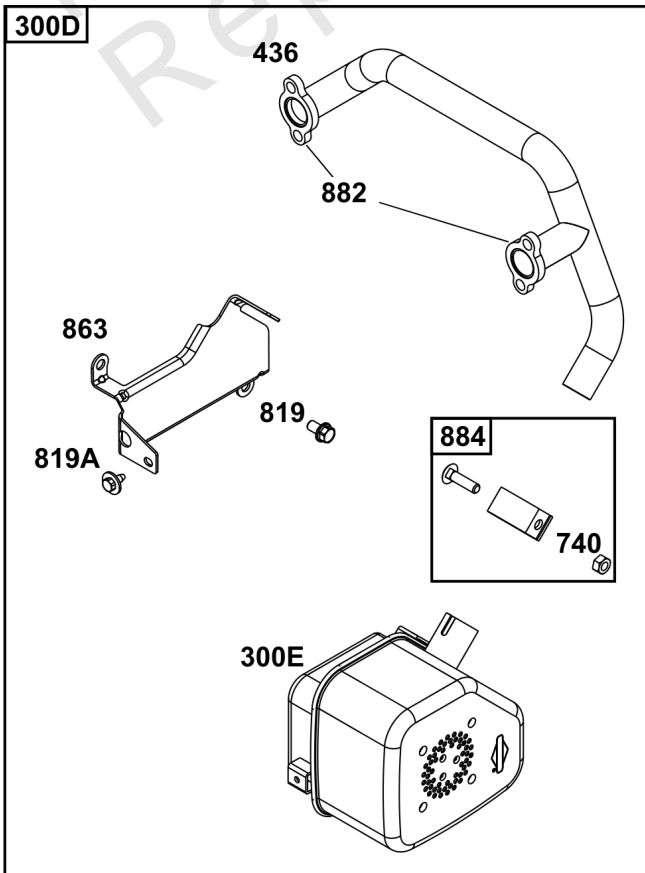
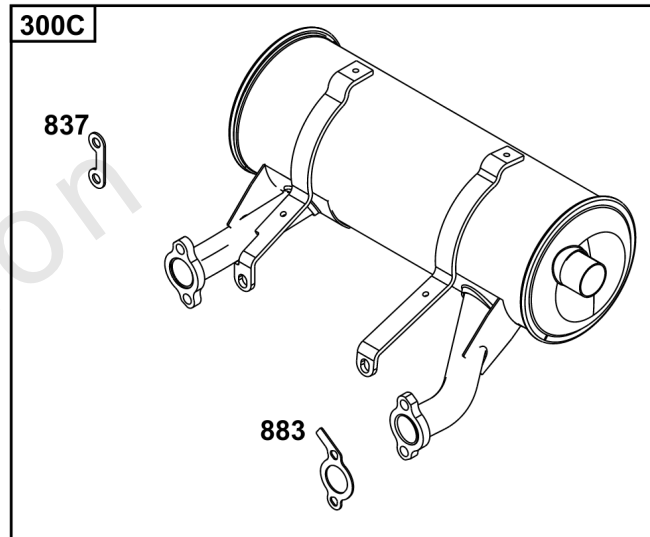
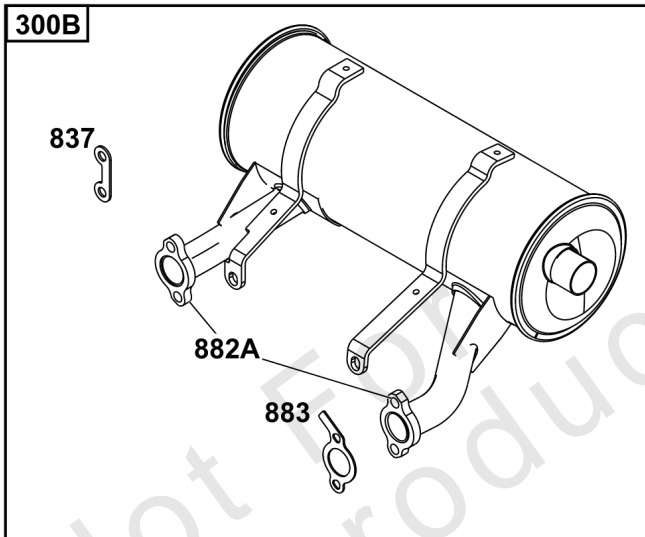
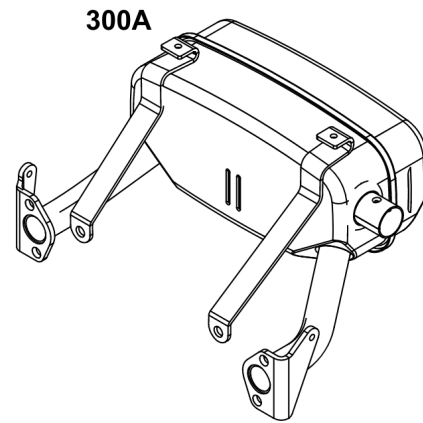
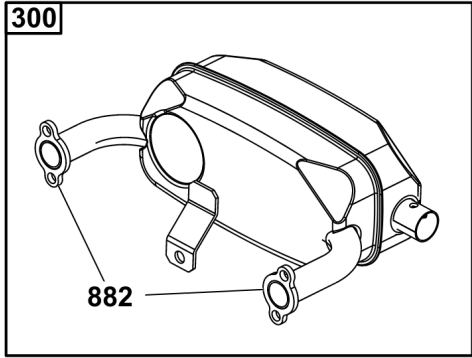
REF NO	PART NO	QTY	DESCRIPTION
9000	84004936		KIT, Maintenance -(Non-Oil Guard™ Engines) (20 - 23 HP)
9000A	84004937		KIT, Maintenance -(Non-Oil Guard™ Engines) (12.5 - 18 HP)
9000B	84002315		KIT, Maintenance -(Non-Oil Guard™ Engines)
240	845125	1	FILTER, Fuel
240A	84001895	1	FILTER, Fuel
337	491055S	2	PLUG, Spark
337	84007216	2	PLUG, SPARK -(China Only)
445	692519	1	FILTER, A/C Cartridge -"Professional / PXi" & "Commercial / CXi".
445A	394018S	1	FILTER, A/C Cartridge -"Professional / PXi" & "Commercial / CXi".
445B	841497	1	FILTER, A/C Cartridge -"Professional / PXi" & "Commercial / CXi".
967	692520	1	FILTER, Pre Cleaner
967A	272490S	1	FILTER, Pre Cleaner
1027	842921	1	FILTER, Oil -(Vanguard®)
1505	100169		OIL-1QT VANGUARD (CASE) -(1 qt. Bottle)



Not For  
Reproduction

## Lubrication

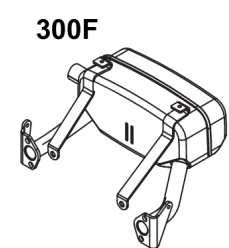
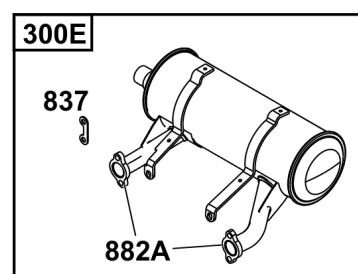
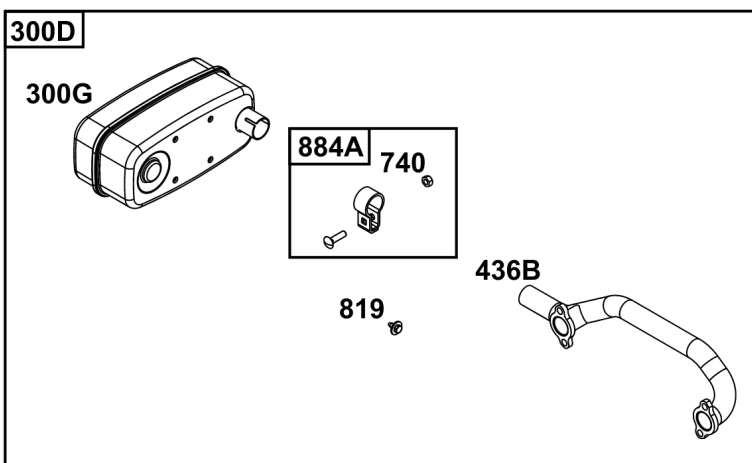
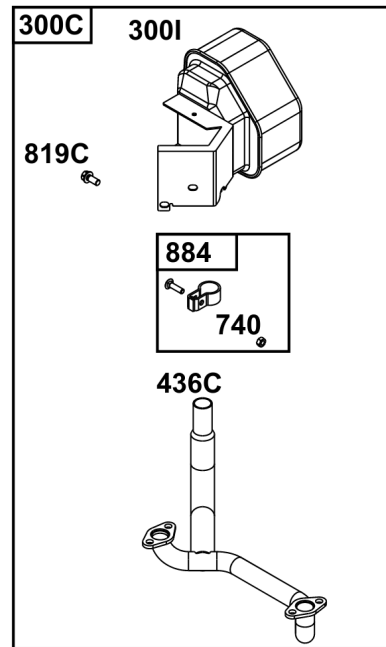
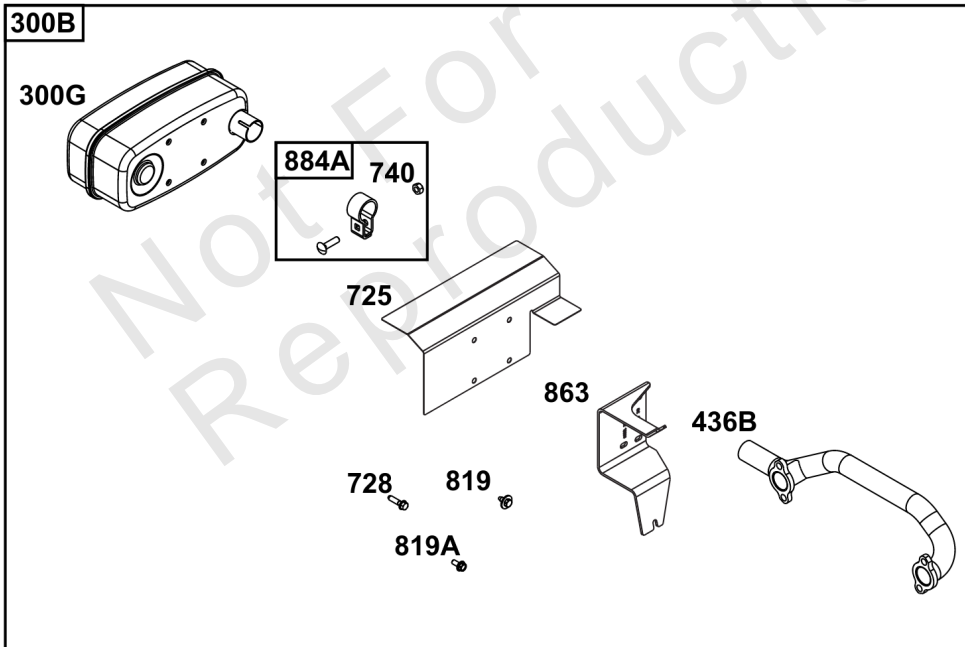
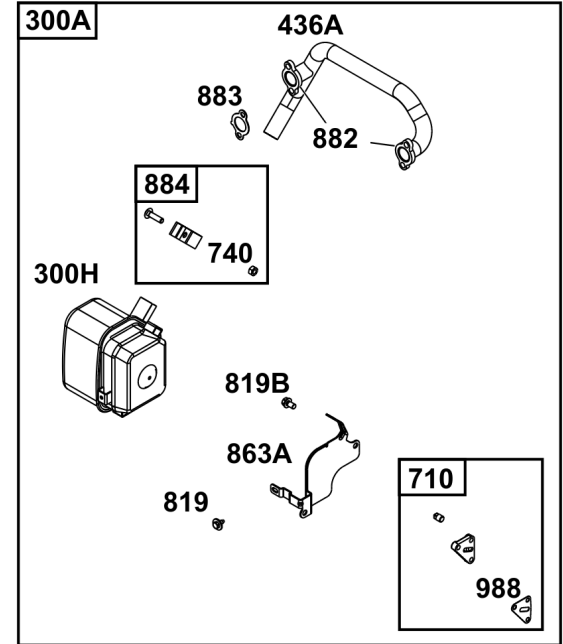
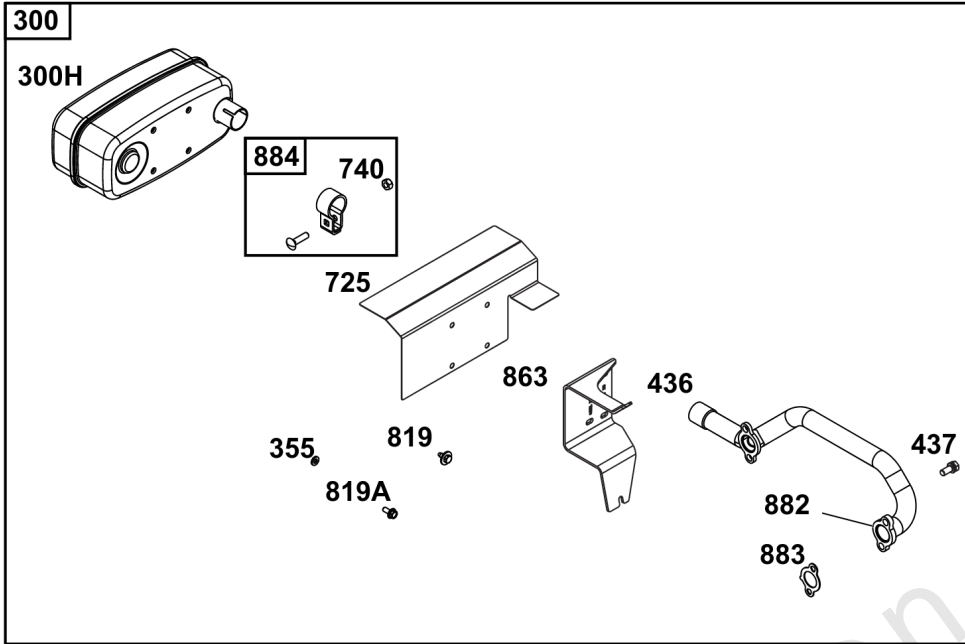
REF NO	PART NO	QTY	DESCRIPTION
186	796532	1	CONNECTOR, Hose -(Threaded Engine Block Connector for EZ-Oil Drain Hose)(Order hose separate)
239	690233	1	SWITCH, Oil Pressure -(2-4 PSI Normally-Closed Switch)
239A	491657S	1	SWITCH, Oil Pressure -(3-5 PSI Normally-Closed Switch)
239B	841281	1	SWITCH, Oil Pressure -(7-10 PSI Normally-Closed Switch)
239C	694115	1	SWITCH, Oil Pressure -(9-13 PSI Normally-Closed Switch)
239D	697049	1	SWITCH, Oil Pressure -(3-6 PSI Normally-Open Switch)
295	492061	1	ADAPTER, Remote Oil Filter -(Remote oil filter head with 18" (48 cm) hoses)
295	492062	1	ADAPTER, Remote Oil Filter -(Remote oil filter head with 30" (76 cm) hoses)
512	594200	1	HOSE, Oil Drain -(EZ-Oil Drain Hose, 10.5")(Order threaded engine block connector separate)
512	593635	1	HOSE, Oil Drain -(EZ-Oil Drain Hose, 13.75")(Order threaded engine block connector separate)
512B	1723165SM	1	HOSE, Oil Drain, 10-1/2" Long, 3/8-18 Fittings -(10.5")
512C	5048681SM	1	HOSE, OIL DRAIN -(12.5")
517	593633	1	RETAINER, Oil Drain
988	692063	1	GASKET, Oil Adapter
1027	492932S	1	FILTER, Oil
1028	492687	1	ADAPTER, Oil Filter -(Adapter Kit for mounting remote oil filter)
1028A	495244	1	ADAPTER-OIL FILTER -(Remote oil filter mounting head with fittings)
1346	844802	1	VALVE, Oil Drain Shut Off
1346A	492031	1	VALVE, Oil Drain Shut Off
1346B	5401WEB	1	VALVE, Oil Drain Shut Off -(1/4 Turn Oil Drain Valve with Hose)
1505	100169		OIL-1QT VANGUARD (CASE) -(1 qt. Bottle)
1505A	100170		OIL-5QT VANGUARD (CASE) -(5 qt. Bottle)
1600	494724	2	HOSE, Remote Oil Filter -(Hoses only (2) 18" (48 cm))
1600	494725	2	HOSE, Remote Oil Filter -(Hoses only (2) 30" (76 cm))





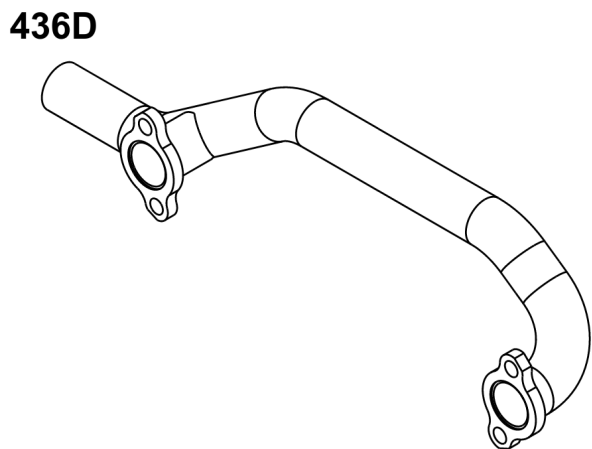
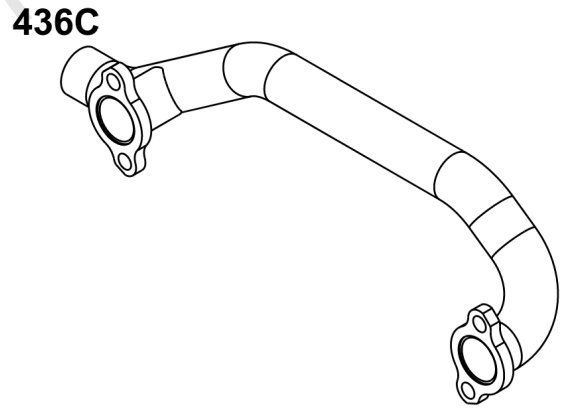
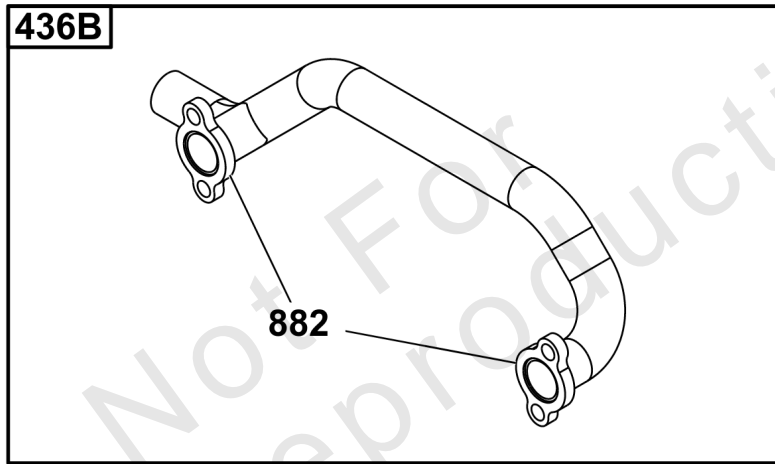
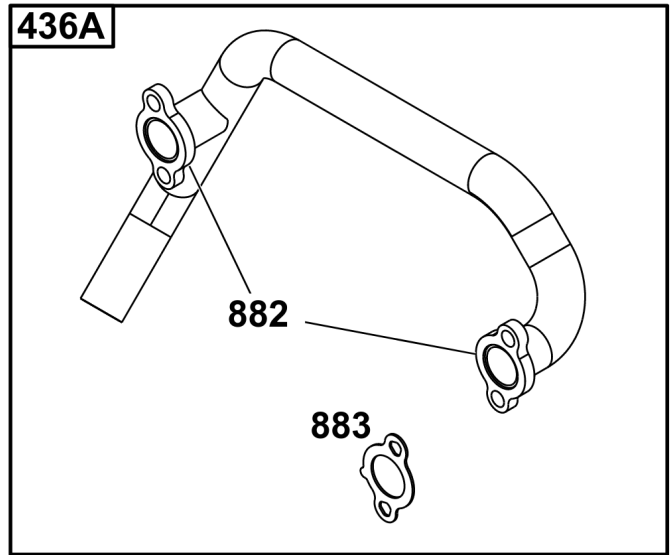
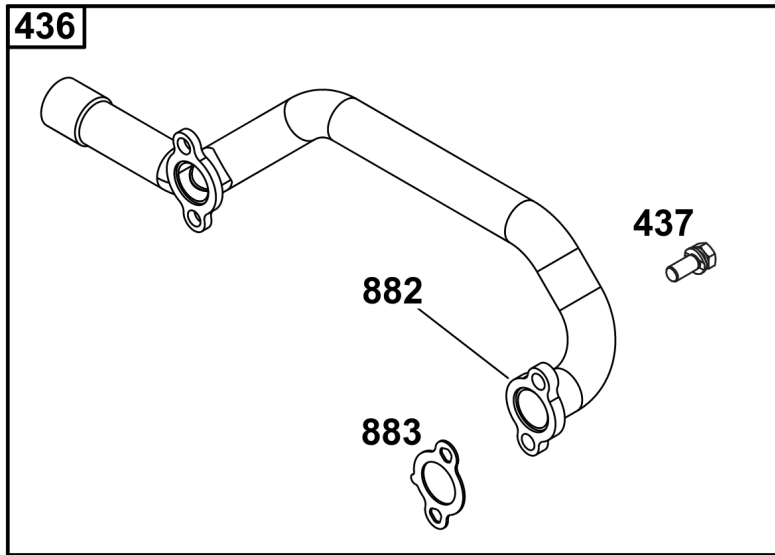
## Starter Motor Side Outlet Mufflers

REF NO	PART NO	QTY	DESCRIPTION
300	690931	1	MUFFLER -(Super Lo-Tone) (Horizontal: 3054, 3564)
300A	690906	1	MUFFLER -(Super Lo-Tone) (Horizontal: 3054, 3564)
300B	808705	1	MUFFLER -(5" Round) (Horizontal: 3854, 3864)
300C	845873	1	MUFFLER -(5" Round, Stainless Steel) (Horizontal: 3854, 3864)
300D	995005	1	MUFFLER ASSY -(Lo-Tone) (Horizontal: 3054, 3564)
300E	692099	1	MUFFLER -(Lo Mount)
436	691499	1	MANIFOLD, Exhaust -(Cylinder 1) (Side Outlet)
740	793859	1	NUT
819	692056	2	SCREW -(Muffler Bracket) (M8x1.25)
819A	691514	2	SCREW -(Muffler Bracket) (M6 X 1.0)
837	808085	2	SPACER, Muffler -(Includes 2)
863	690756	1	BRACKET, Muffler -(Cylinder 1) (Side Outlet)
882	692074	2	FLANGE, Exhaust
882A	806965	2	FLANGE, Exhaust
883	806425	2	GASKET, Exhaust
884	690898	1	CLAMP, Muffler



## Oil Filter Side Outlet Mufflers

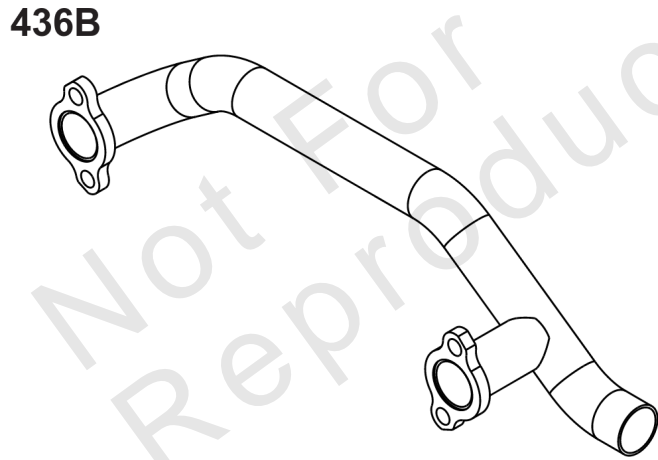
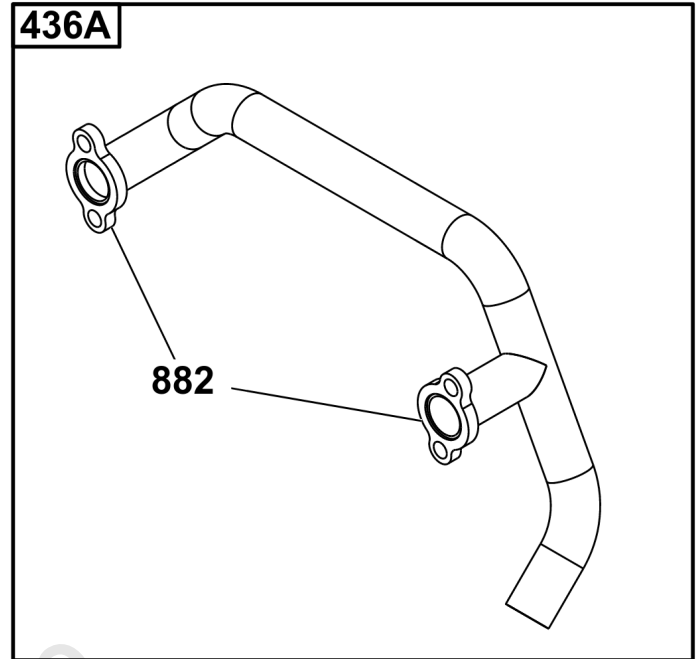
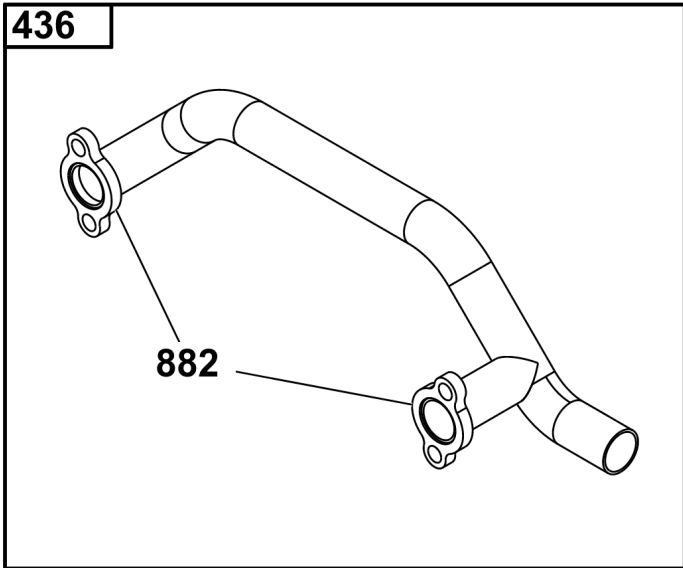
REF NO	PART NO	QTY	DESCRIPTION
300	995002	1	HIGH MNT SPR LO-TONE OIL FLTR SIDE -(Super Lo-Tone) (Horizontal: 3054, 3564) (Vertical: 3567)
300A	995000	1	OIL FILTER SIDE LO-MT -(Lo-Tone) (Horizontal: 3054, 3564) (Requires 808033 Oil Filter Adaptor)
300B	995004	1	HI MNT SPR LO-TONE OIL FLT SIDE -(Super Lo-Tone) (Horizontal: 3854, 3864) (Vertical: 3867)
300C	995009	1	COMMERCIAL MOWERS KIT -(For Wide Area Walker) (Vertical: 3567)
300D	995010	1	COMMERCIAL MOWERS KIT -(Vertical: 3867)
300E	808896	1	MUFFLER
300F	691562	1	MUFFLER -(Super Lo-Tone) (Horizontal: 3054, 3564)
300G	498984S	1	MUFFLER -(Super Lo Tone)
300H	692099	1	MUFFLER -(Lo Mount)
300I	807953	1	MUFFLER
355	842122	2	WASHER -(Muffler Bracket)
436	805609	1	MANIFOLD, Exhaust -(Cylinder 2) (Side Outlet)
436A	692061	1	MANIFOLD, Exhaust -(Cylinder 2) (Side Outlet)
436B	808916	1	MANIFOLD, Exhaust -(Cylinder 2) (Side Outlet)
436C	805778	1	MANIFOLD, Exhaust -(Wide Area Walker)
437	691902	4	SCREW -(Exhaust Manifold)
710	807689	1	COVER, Oil Filter
725	806102	1	SHIELD, Heat
728	690297	2	SCREW
740	793859	1	NUT
819	691514	2	SCREW -(Muffler Bracket) (M6 X 1.0)
819A	807084	2	SCREW -(Muffler Bracket)
819B	692056	2	SCREW -(Muffler Bracket) (M8x1.25)
819C	692062	2	SCREW -(Muffler Bracket)
837	808085	2	SPACER, Muffler -(Includes 2)
863	806759	1	BRACKET, Muffler
863A	691513	1	BRACKET, Muffler
882	692074	2	FLANGE, Exhaust -(3054 & 3564)
882A	806965	2	FLANGE, Exhaust
883	691613	2	GASKET, Exhaust
884	690898	1	CLAMP, Muffler
884A	691956	1	CLAMP, Muffler
988	690687	1	GASKET, Oil Adapter



## Oil Filter Side Outlet Manifolds

REF NO	PART NO	QTY	DESCRIPTION
436	805609	1	MANIFOLD, Exhaust -(Vertical: 3567)
436A	692061	1	MANIFOLD, Exhaust -(Horizontal: 3054, 3564)
436B	691501	1	MANIFOLD, Exhaust -(Horizontal: 3054, 3564)
436C	808908	1	MANIFOLD, Exhaust -(Horizontal: 3854, 3864)
436D	808916	1	MANIFOLD, Exhaust -(Horizontal: 3854, 3864) (Vertical: 3867)
437	691902	4	SCREW -(Exhaust Manifold)
882	692074	2	FLANGE, Exhaust
883	691613	2	GASKET, Exhaust

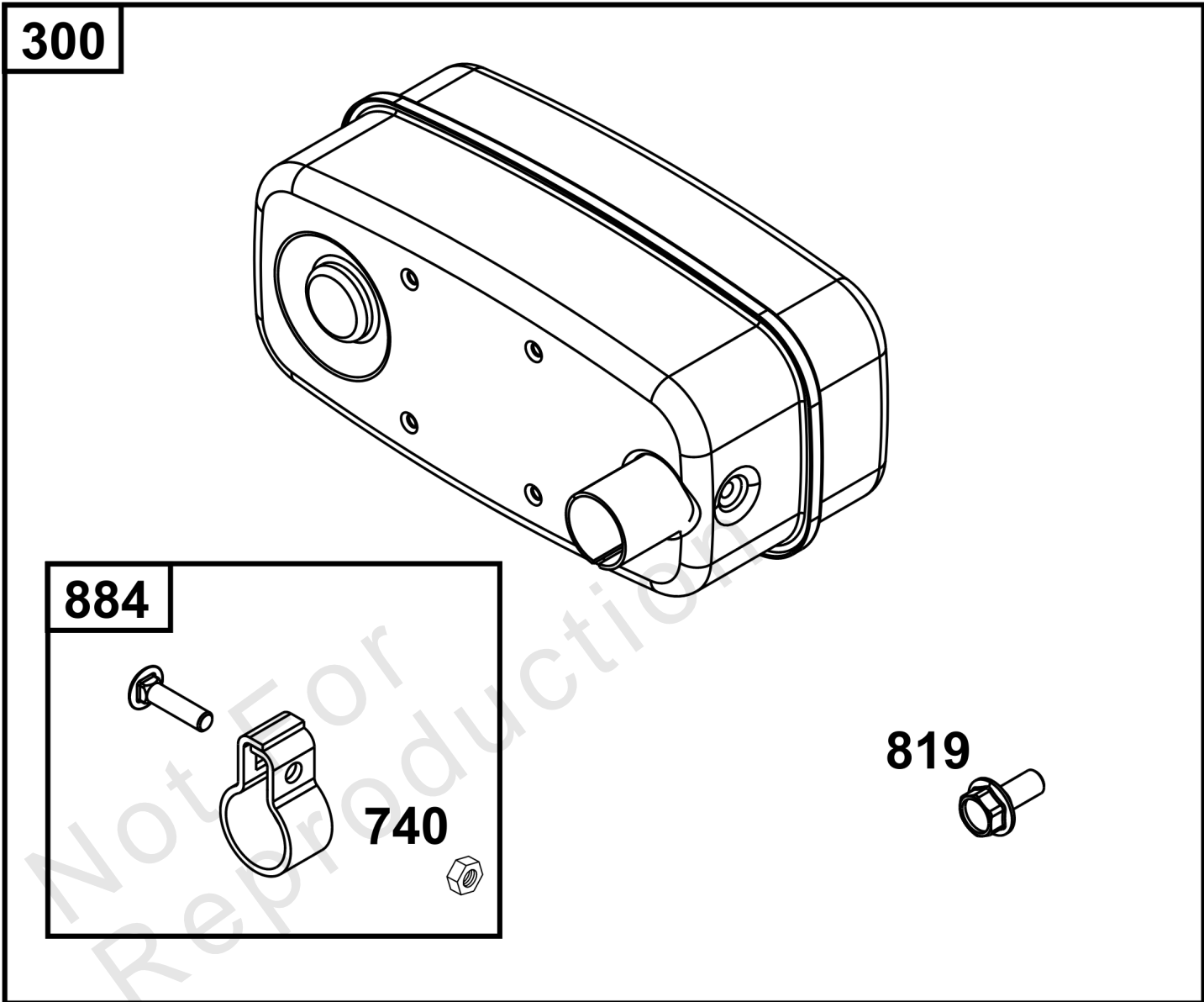
Not For Reproduction



## Starter Motor Side Outlet Manifolds

REF NO	PART NO	QTY	DESCRIPTION
436	691502	1	MANIFOLD, Exhaust -(Horizontal: 3054, 3564)
436A	691499	1	MANIFOLD, Exhaust -(Horizontal: 3054, 3564)
436B	808909	1	MANIFOLD, Exhaust -(Horizontal: 3854, 3864) (Vertical: 3867)
882	692074	2	FLANGE, Exhaust

Not For Reproduction

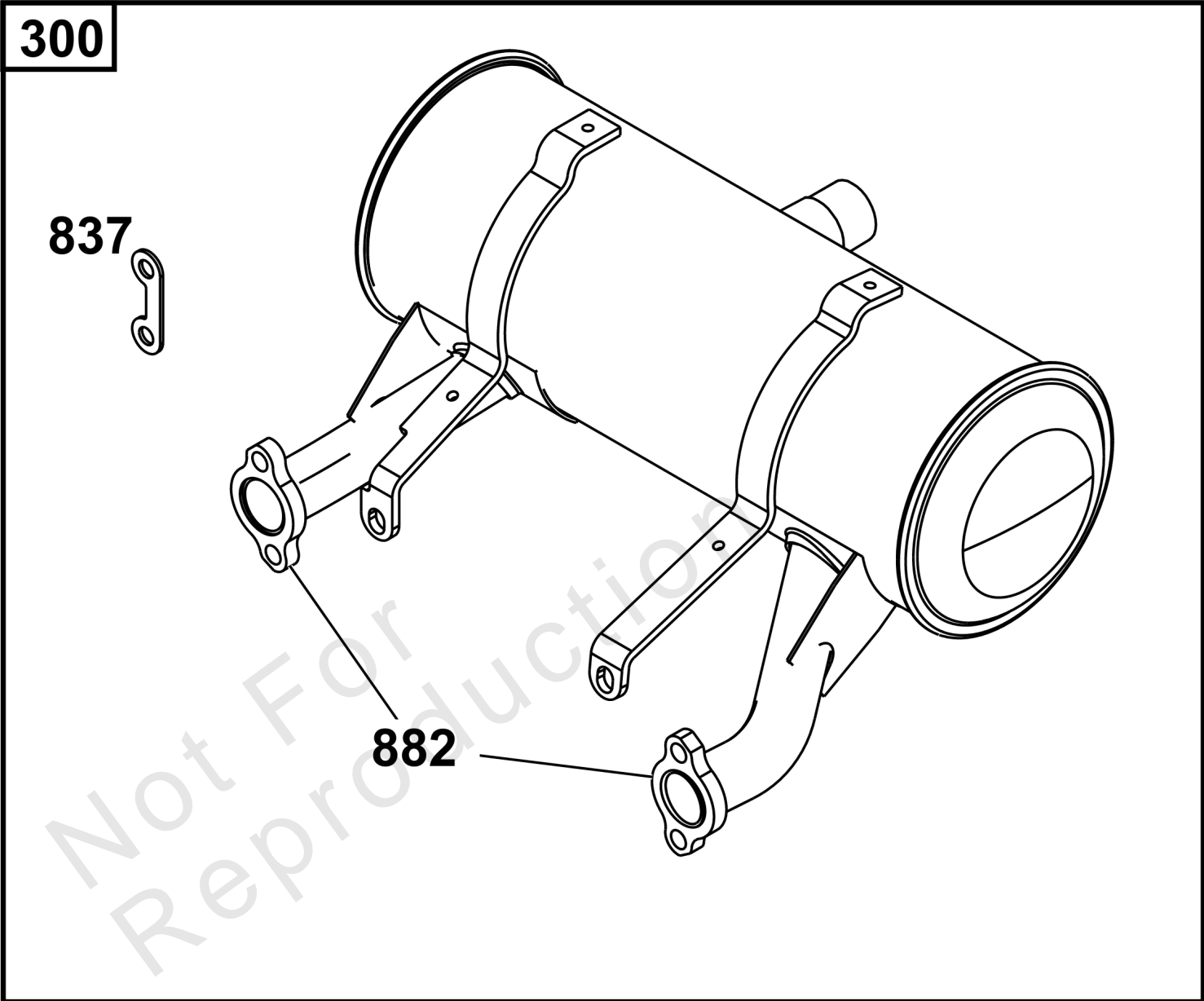




## Mufflers

REF NO	PART NO	QTY	DESCRIPTION
300	995018	1	MUFFLER -(Inlet I.D. 1.14" (28.9mm))
740	793859	1	NUT
819	807084	4	SCREW
884	691956	1	CLAMP, Muffler

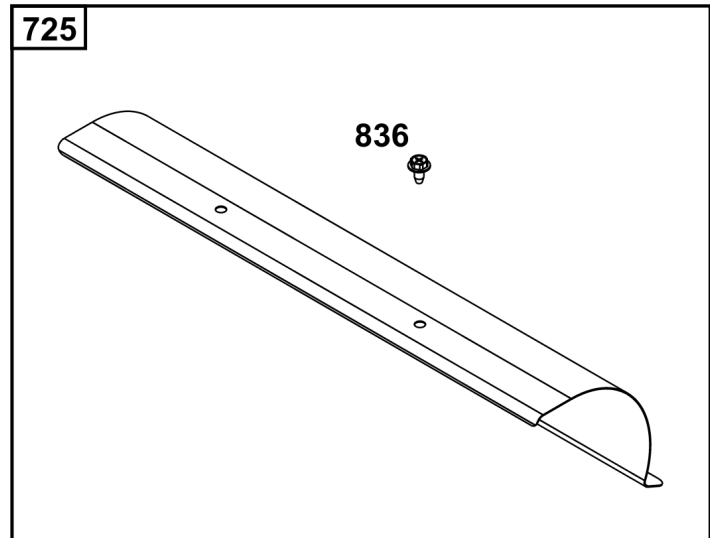
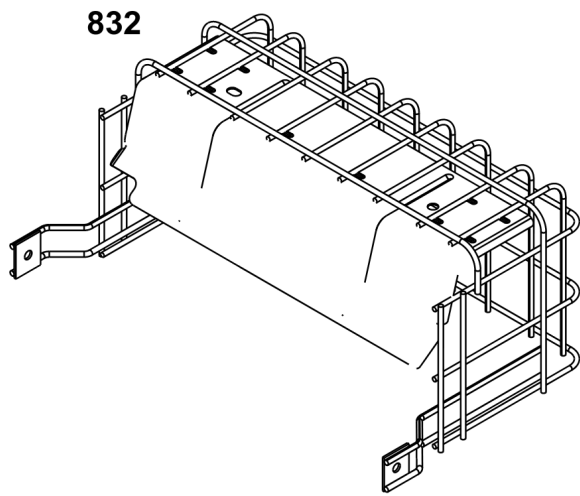
Not For Reproduction



## Center Outlet Mufflers

REF NO	PART NO	QTY	DESCRIPTION
300	808911	1	MUFFLER -(5" Round) (Horizontal: 3854, 3864)
837	808085	2	SPACER, Muffler
882	806965	2	FLANGE, Exhaust

Not For Reproduction

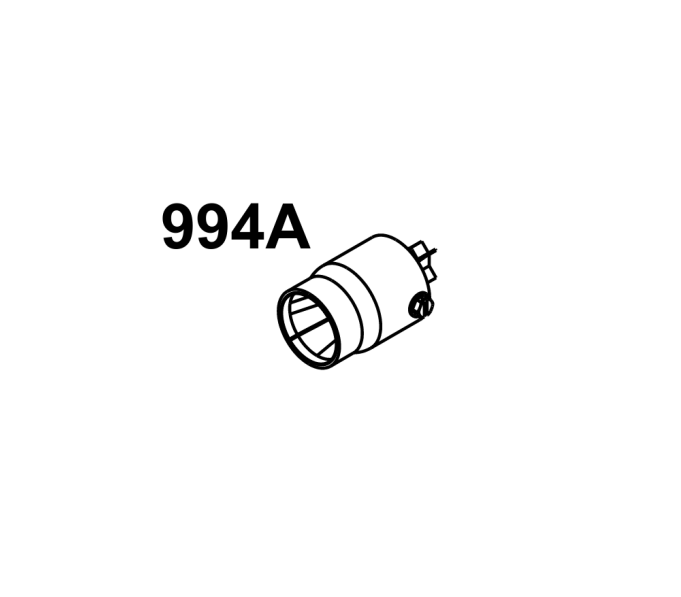
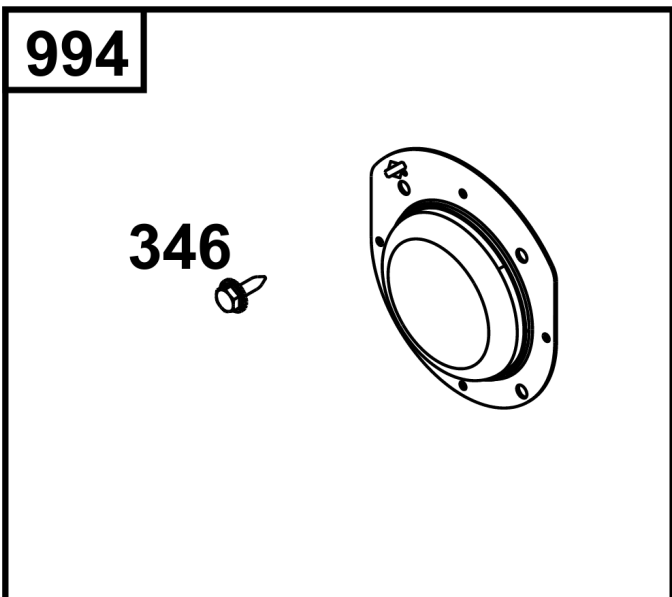
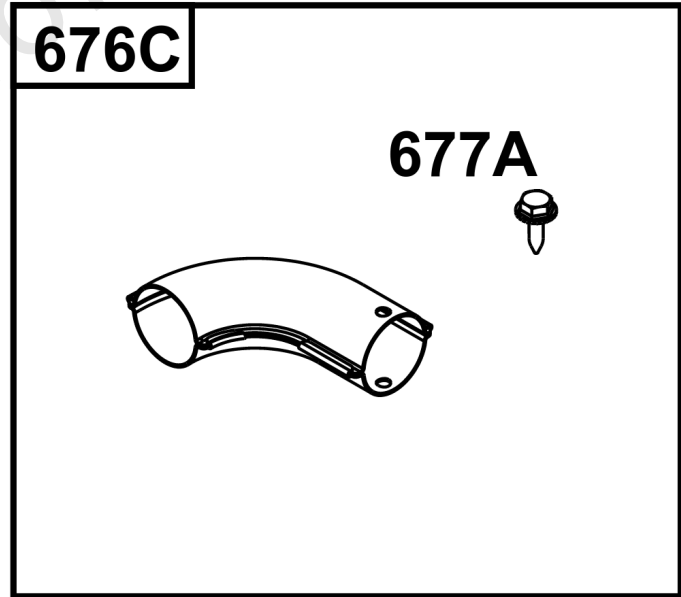
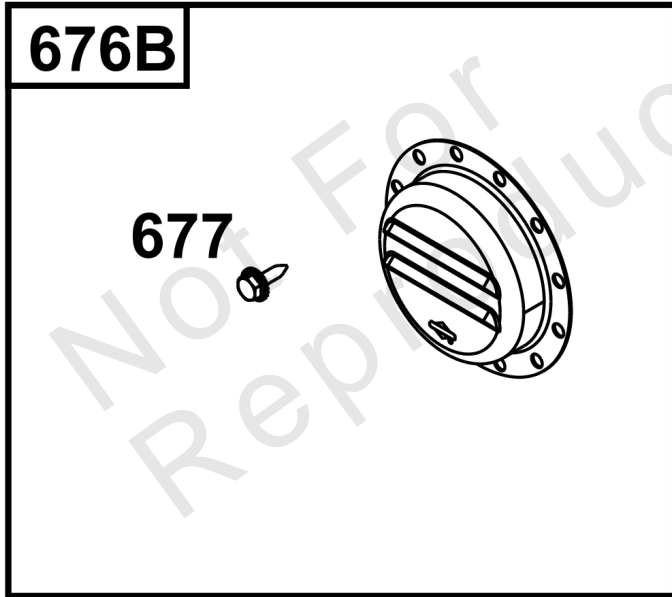
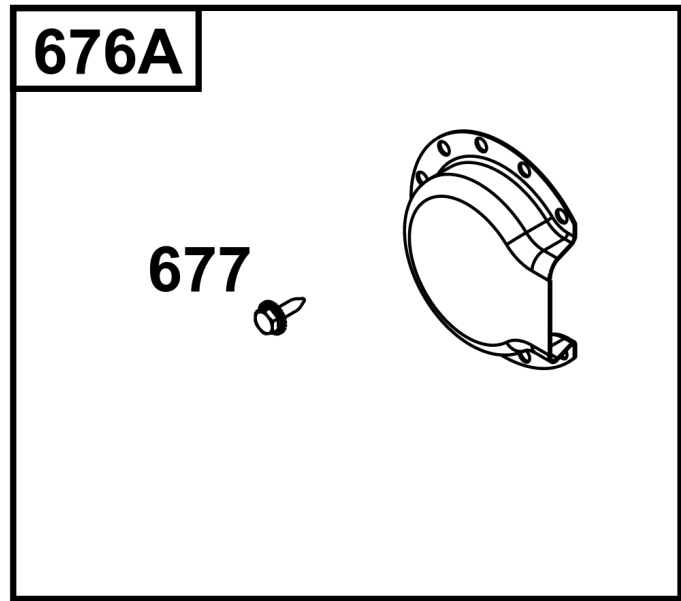
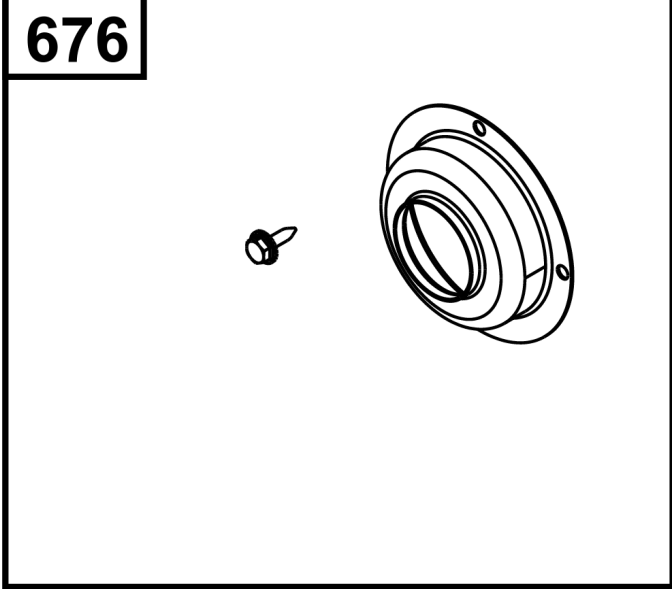


Not For  
Reproduction

## Muffler Guards and Shields

REF NO	PART NO	QTY	DESCRIPTION
725	846568	1	SHIELD, Heat -(For 5" Round Mufflers) (Horizontal: 3854, 3864)
832	691571	1	GUARD, Muffler -(Assembly for 690906 & 691562) (Horizontal: 3054, 3564)
836	692067	4	SCREW

Not For Reproduction



## Spark Arrestors and Deflectors

REF NO	PART NO	QTY	DESCRIPTION
346	794845	4	SCREW -(Spark Arrestor)
676	396903	1	DEFLECTOR, Muffler -(Direct Outlet) (Face Mounting with 4 Screws)
676A	795036	1	DEFLECTOR, Muffler -(Deflector 90 Degree) (Face Mounting with 4 Screws)
676B	795038	1	DEFLECTOR, Muffler -(Deflector Louvered) (Face Mounting with 4 Screws)
676C	495518	1	DEFLECTOR, Muffler -(Elbow for Muffler Assembly) (For Exit Pipe O.D. of 1.10" (28mm))
677	794845	4	SCREW -(Muffler Deflector)
677A	810079	1	SCREW -(Muffler Deflector)
994	794945	1	ARRESTOR, Spark -(Spark Arrestor) (Face Mounting with 4 Screws)
994A	594562	1	ARRESTOR-SPARK -(Spark Arrestor) (For Exit Pipe O.D. of 1.10" (28mm))

Not For Reproduction

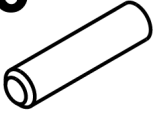
613



1177



296



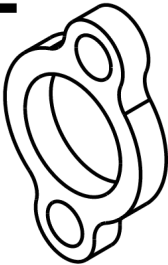
883



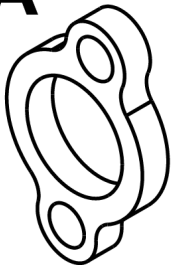
883A



882



882A



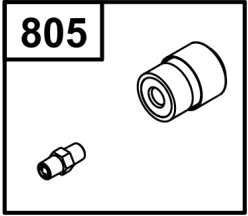
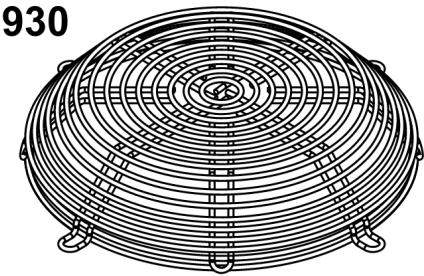
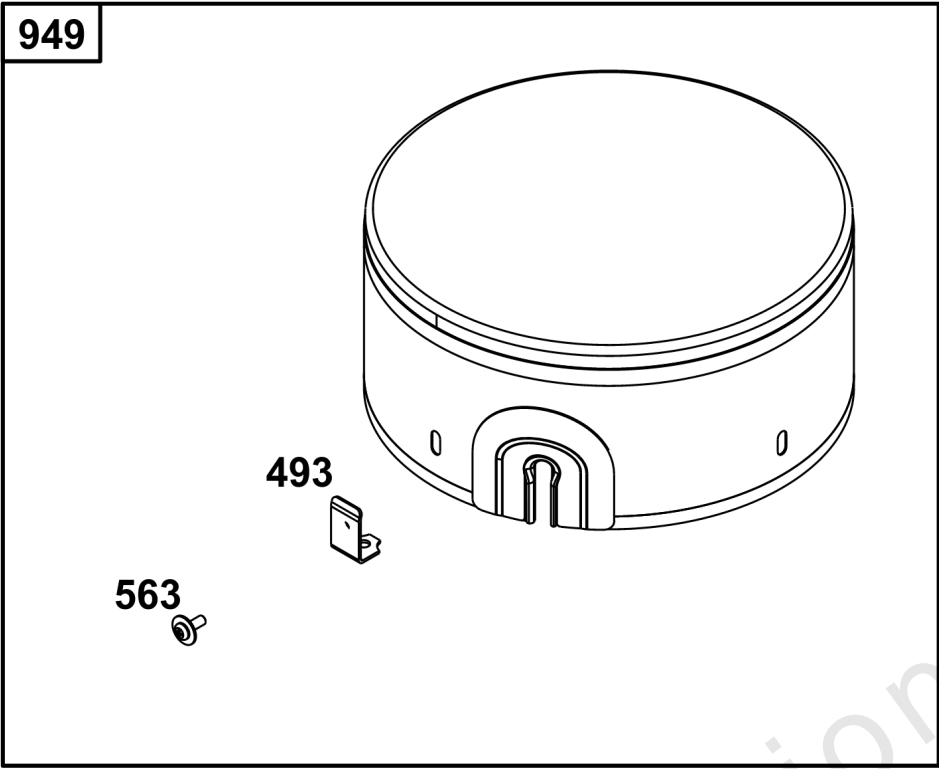
Not for  
Reproduction



## Muffler Mounting Hardware

REF NO	PART NO	QTY	DESCRIPTION
296	841185	4	STUD -(Mounting Mufflers)
613	691902	4	SCREW -(Mounting Mufflers)
882	692074	2	FLANGE, Exhaust -(3054 & 3564)
882A	806965	2	FLANGE, Exhaust -(3854 & 3864)
883	806425	2	GASKET, Exhaust -(Horizontal: 3854, 3864) (Vertical: 3567)
883A	691613	2	GASKET, Exhaust -(Horizontal: 3054, 3564) (Vertical: 3567)
1177	842067	4	NUT -(Required if Using 841185)

Not For Reproduction

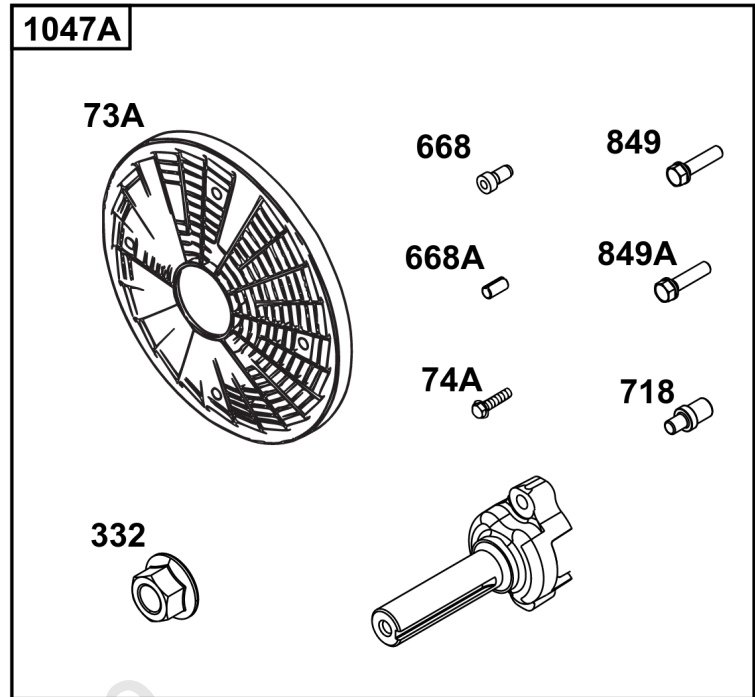
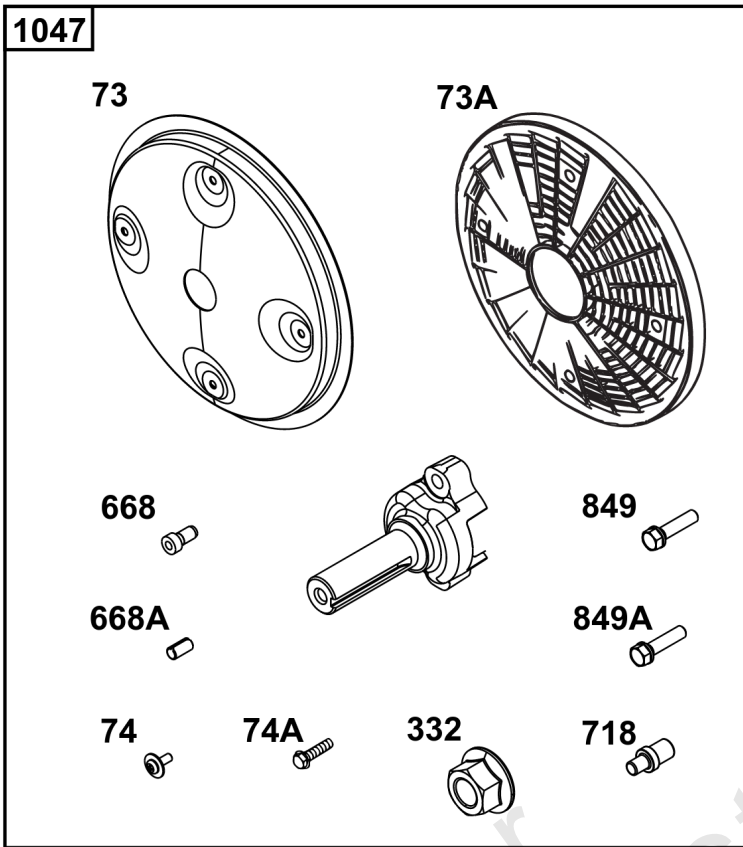


Not For  
Reproduction

## ***Flywheel and Air Intake Guards***

<b>REF NO</b>	<b>PART NO</b>	<b>QTY</b>	<b>DESCRIPTION</b>
493	845729	4	BRACKET, Mounting
563	841441	4	SCREW
805	843024	1	MINDER, Filter -(For Engines with Cyclonic Air Filter)
930	846284	1	GUARD, Flywheel Fan
949	845728	1	GUARD, Debris Screen -(Vertical: 3867)

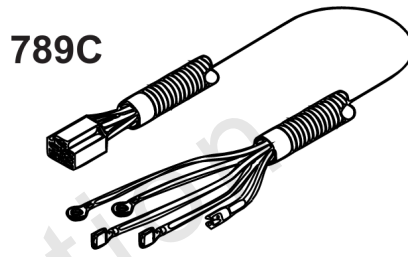
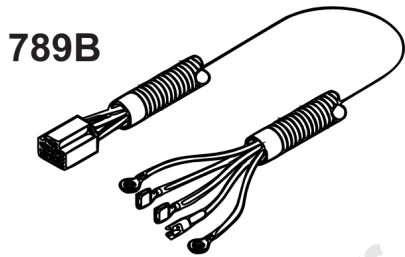
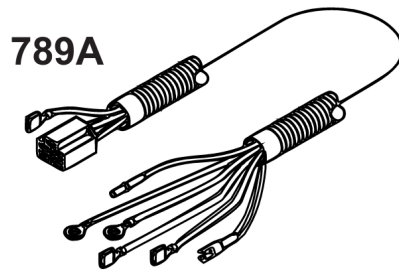
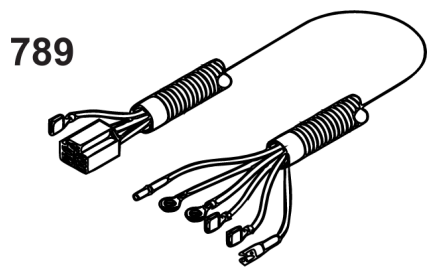
Not For Reproduction



Not For  
Reproduction

## PTO

REF NO	PART NO	QTY	DESCRIPTION
73	841582	1	SCREEN, Rotating
73A	494439	1	SCREEN, Rotating
74	841441	4	SCREW -(Rotating Screen)
74A	691647	4	SCREW -(Rotating Screen)
332	690887	1	NUT -(Flywheel)
668	691500	4	SPACER -(Rotating Screen)
668A	691215	4	SPACER -(Rotating Screen)
718	841581	1	PIN, Locating -(32MM)
849	691088	2	SCREW -(Stub Shaft)
849A	846236	2	SCREW -(Stub Shaft)
1047	841580	1	SHAFT, Stub -(1" Diameter) (4.75" Length)
1047A	842655	1	SHAFT, Stub -(1" Diameter) (5.43" Length)



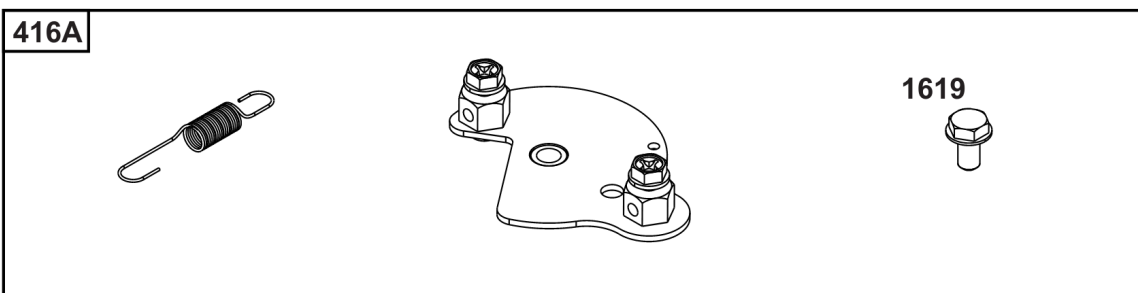
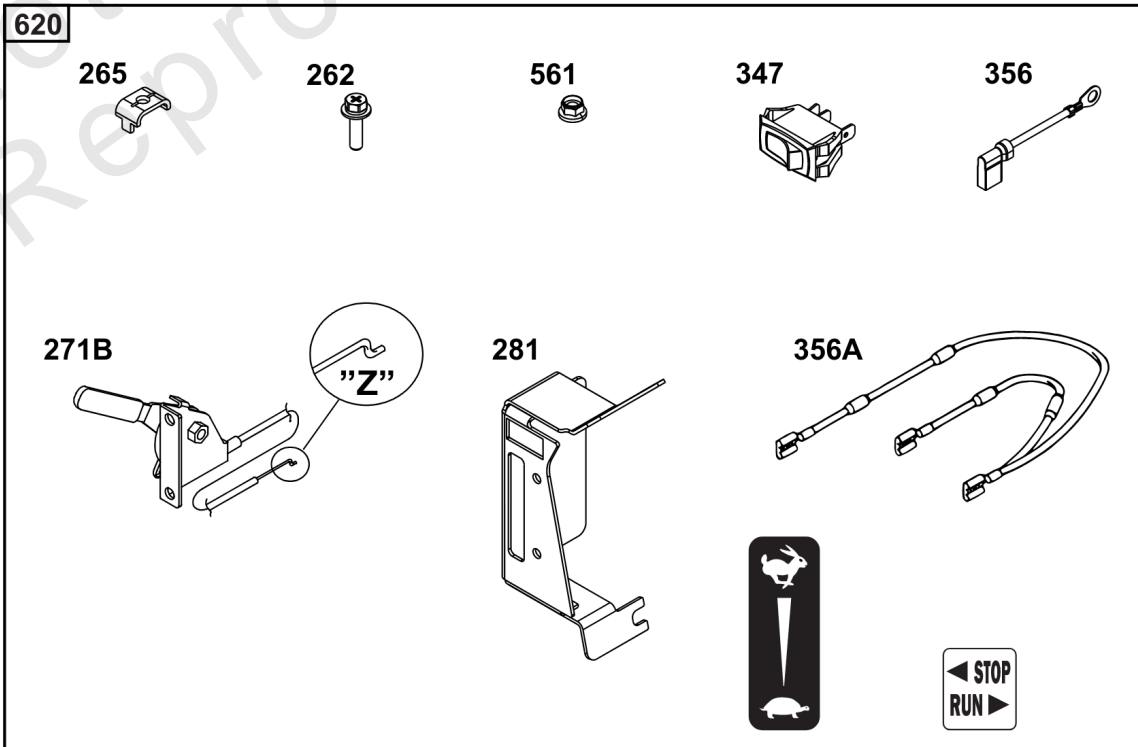
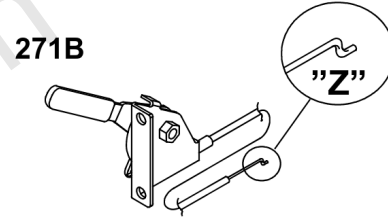
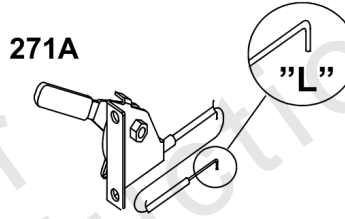
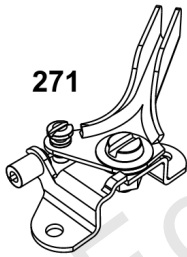
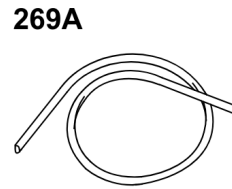
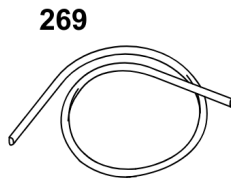
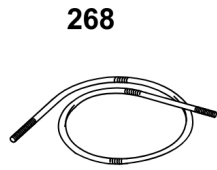
578

A wiring harness consisting of ten individual wires of different colors: orange, light orange, black, purple, blue, green, yellow, red, yellow, and black. Each wire has a specific connector at the end. To the right, a diagram shows a 'LOOSE CONNECTOR' (TE # 1-480704-0) being inserted into a 'MATE-N-LOK 6 POSITION HOUSING'.

## Electrical

REF NO	PART NO	QTY	DESCRIPTION
415	1714480SM	1	PLUG -(Plug for Ignition Switch Removal)
578	84007350	1	WIRE ASSEMBLY -(Aids in Repowering Engine Application with 6-Pin Connector and Wires with Terminals to Create Custom Adapter Configurations)
789	691996	1	HARNESS, Wiring -(For 16 Amp Alternators)
789A	841318	1	HARNESS, Wiring -(For 16 Amp Alternators with Solenoid Shift Starter)
789B	847601	1	HARNESS, Wiring -(For 20 Amp Alternators)
789C	847602	1	HARNESS, Wiring -(For 20 Amp Alternators with Solenoid Shift Starter)

Not For Reproduction





## Speed Control

REF NO	PART NO	QTY	DESCRIPTION
262	841552	1	SCREW
265	691024	1	CLAMP, Casing -(Casing Clamp for Hard Casing)
265A	690798	1	CLAMP, Casing -(Casing Clamp for Soft Casing)
267	792629	1	SCREW -(Screw for Casing Clamp)
268	691025	1	CASING, Control Wire -(Wire Casing 72")
269	26634	1	WIRE, Control -(Control Wire 78")
269A	93907	1	WIRE, Control -(Control Wire 100")
270	691027	1	NUT -(Nut for Wire Casing)
271	691028	1	LEVER, Control -(Speed Control Lever Assembly)
271A	692105	1	LEVER, Control -(Speed Control Lever Assembly) ('L' Shaped End)
271B	692541	1	LEVER, Control -(Speed Control Lever Assembly) ('Z' Shaped End)
281	690742	1	PANEL, Control
347	691995	1	SWITCH-ROCKER
356	690796	1	WIRE, Stop
356A	691999	1	WIRE ASSEMBLY
416	595196	1	BRACKET, Throttle Cable -(Casing Clamp for Snap-In Casing)
416A	84006945	1	BRACKET, Throttle Cable
561	806447	1	NUT
620	494052	1	BRACKET, Control -(Throttle Control for Vanguard V-Twin Horizontal Small Block)
1619	691693	1	SCREW

# **WANGUARD<sup>®</sup>**

**COMMERCIAL POWER**



**BRIGGS & STRATTON<sup>®</sup>**