

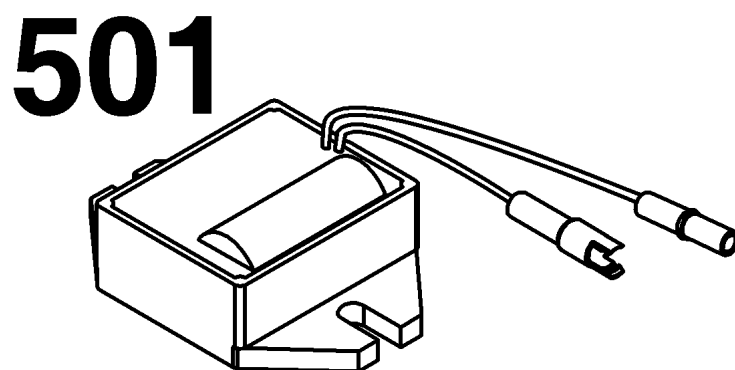
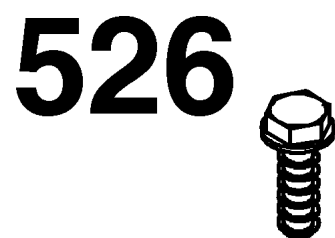
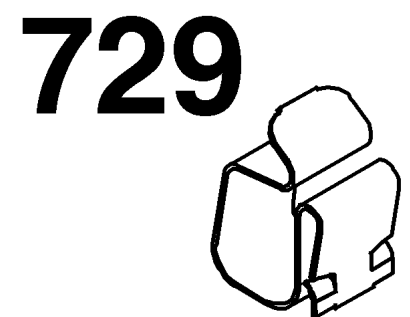
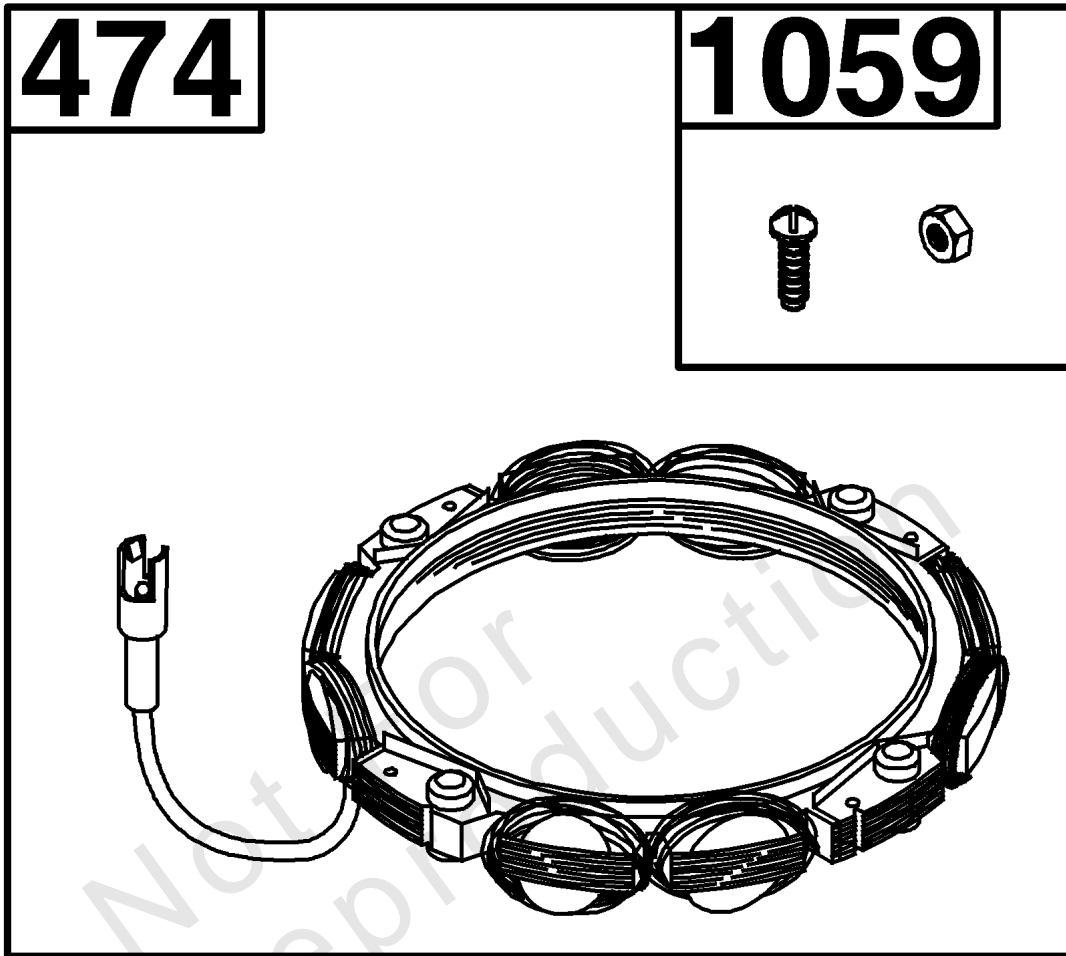


Parts Manual

Mfg. No: 40T876-0011-G1

Model Components	Page
Alternator Group.....	4
Blower Housing and Air Cleaner Group.....	6
Carburetor and Fuel Supply Group.....	8
Controls Group.....	10
Crankshaft Group.....	12
Cylinder Group.....	14
Cylinder Head Group.....	16
Flywheel, Ignition, and Starter Group.....	20
Lubrication Group.....	22
Replacement Engine - US & Canada.....	24
Sump Group.....	25
Model 40, 44 & 49 Engine Accessories Catalog.....	27
Maintenance Kits.....	28
Engine Mounted Below Deck Mufflers.....	30
Engine Mounted Above Deck Mufflers.....	32
Spark Arrester/Deflector.....	34
Lubrication.....	36
Implement Mounted Above Deck Mufflers.....	38
Exhaust/Muffler Configurations.....	40
Electrical.....	42
Flywheel Guards.....	44
Speed Control.....	46
Muffler Mounting Hardware.....	48

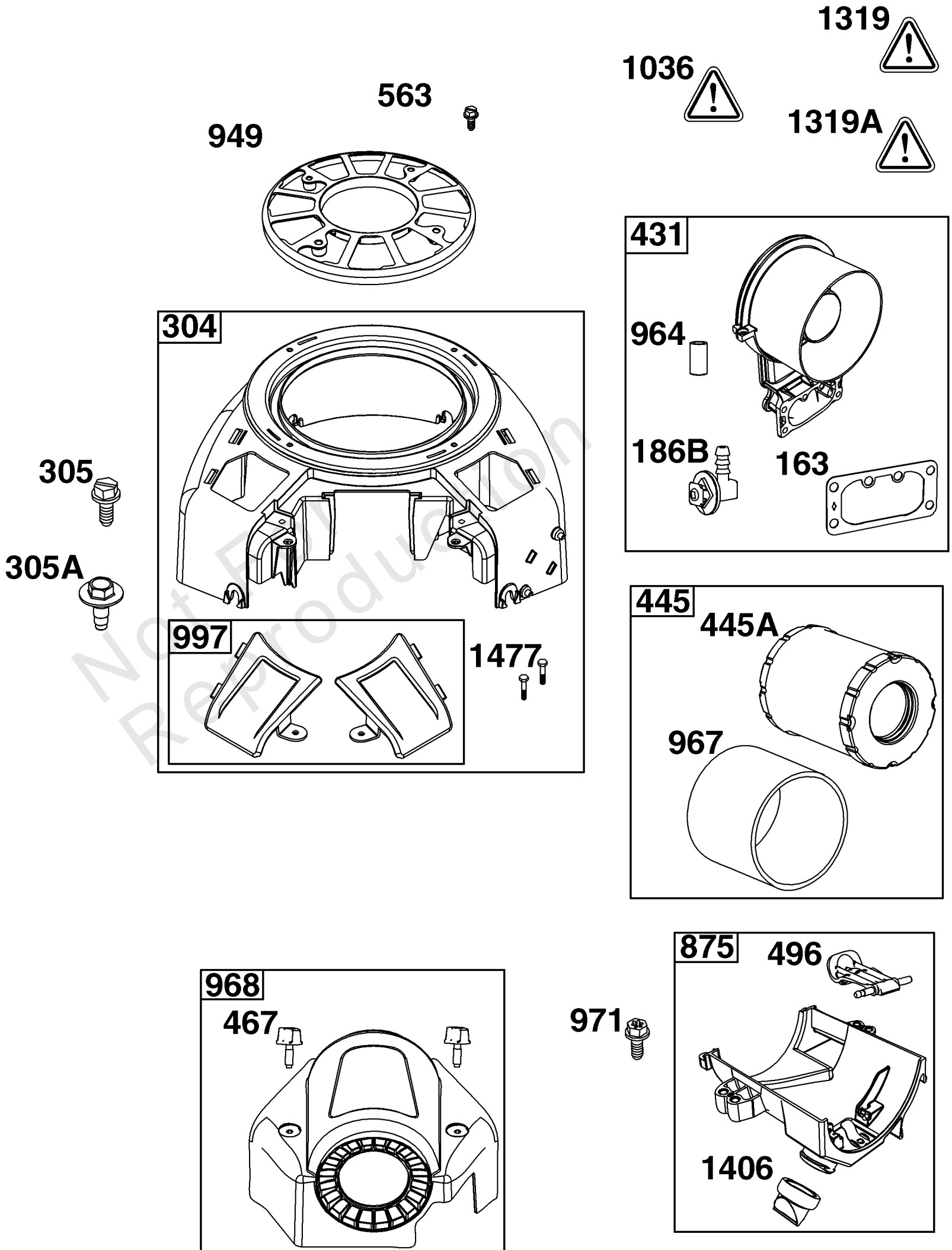
Not For
Reproduction



Alternator Group

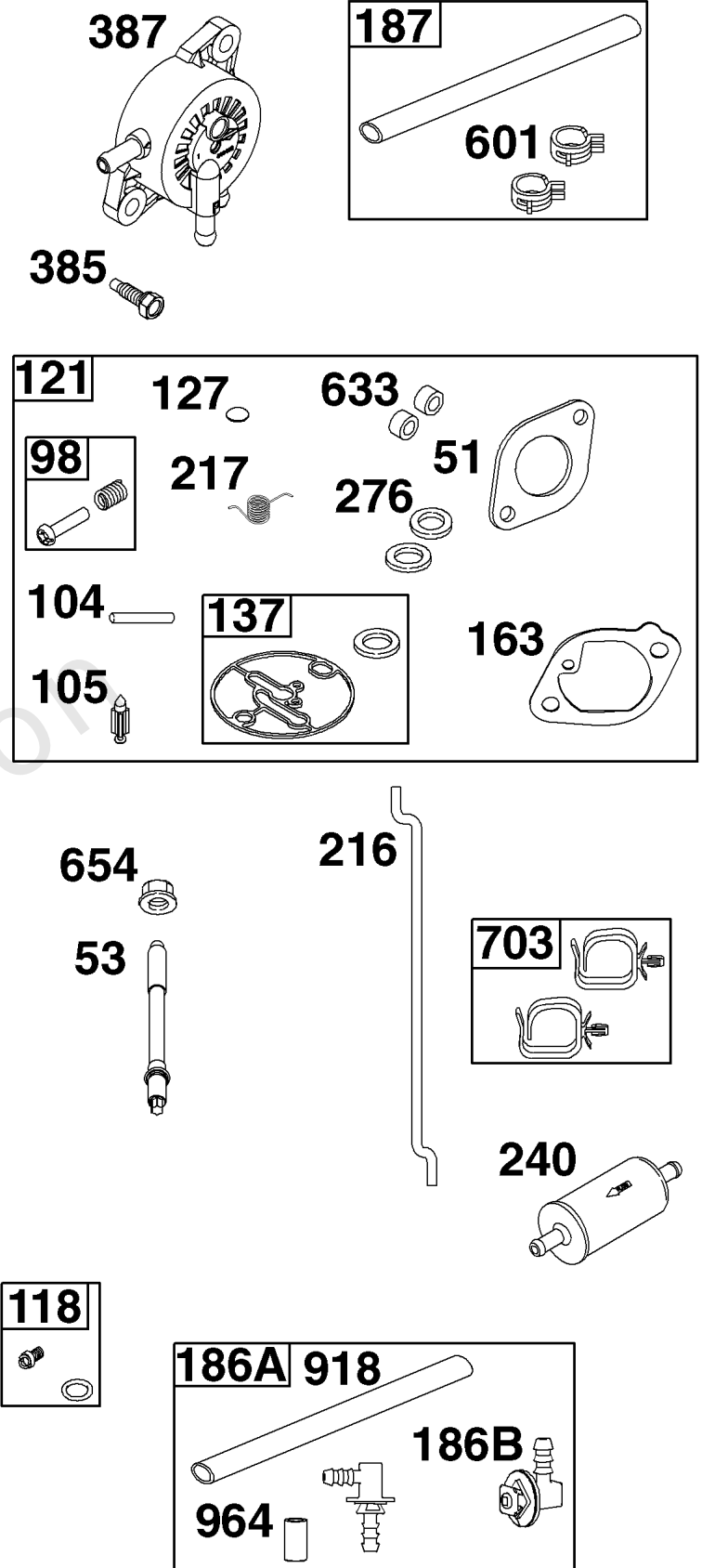
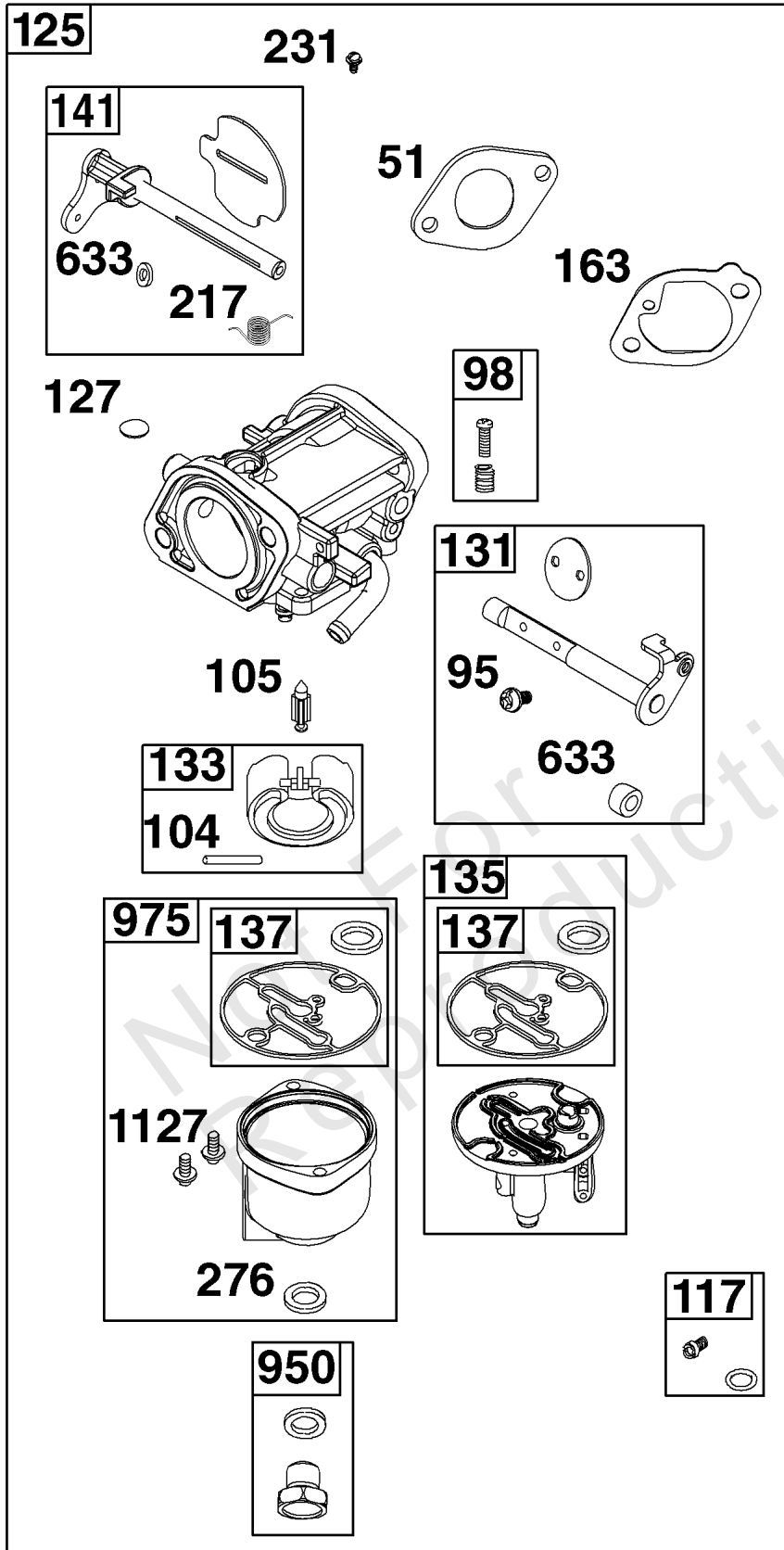
REF NO	PART NO	QTY	DESCRIPTION
474	592829	1	ALTERNATOR -(5/9 Amp. Regulated)
501	698315	1	REGULATOR
526	691108	1	SCREW -(Regulator)
729	593826	1	CLIP, Wire
1059	698516	1	KIT, Screw/Washer
1119	691183	4	SCREW -(Alternator)

Not For Reproduction



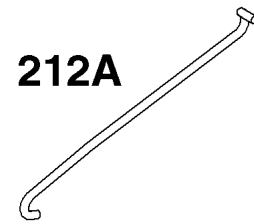
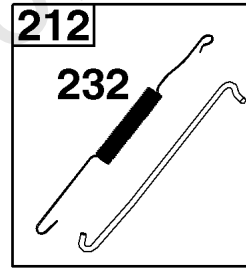
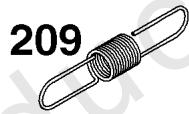
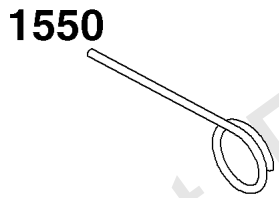
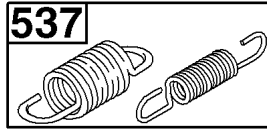
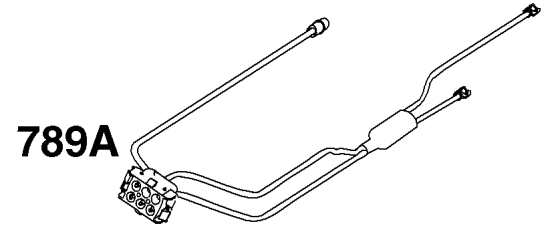
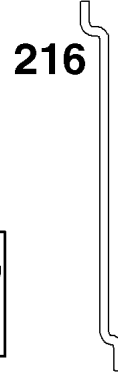
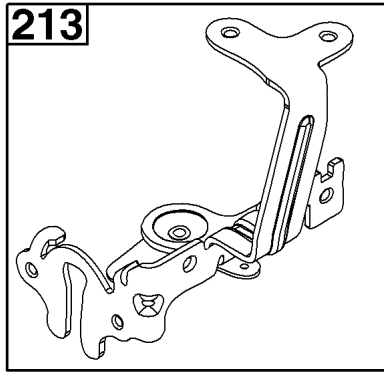
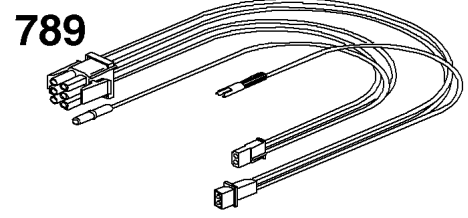
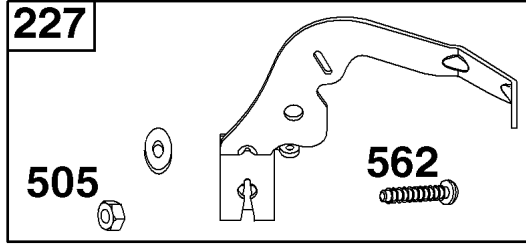
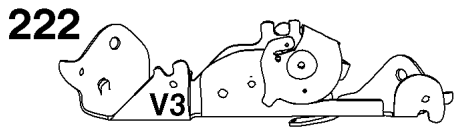
Blower Housing and Air Cleaner Group

REF NO	PART NO	QTY	DESCRIPTION
163	-----	1	GASKET, Air Cleaner -(Part information located in Carburetor and Fuel Supply Group.)
186B	-----	1	CONNECTOR, Hose -(Part information located in Carburetor and Fuel Supply Group.)
304	799957	1	HOUSING, Blower
305	691130	1	SCREW -(Blower Housing)
305A	594618	1	SCREW -(Blower Housing)
431	595735	1	ELBOW, Intake
445	595536	1	FILTER, A/C Cartridge
445A	798897	1	FILTER, A/C Cartridge
467	790697	1	KNOB, Air Cleaner Cover
496	799095	1	LEVER, Air Cleaner Filter
563	698425	4	SCREW -(Debris Screen Guard)
875	799094	1	BASE, Air Cleaner
949	595142	1	GUARD, Debris Screen
964	597560	1	CAP, Connector
967	593217	1	FILTER, Pre Cleaner
968	799102	1	COVER, Air Cleaner
971	698304	2	SCREW -(Air Cleaner Base to Carburetor/Throttle Body)
997	592782	1	COVER, Blower Housing
1036	-----	1	LABEL, Emissions -(Available from a Briggs & Stratton Authorized Dealer)
1319	794467	1	LABEL, Warning -(REQUIRED When Replacing Parts With Warning Labels Affixed)
1319A	797669	1	LABEL, Warning -(REQUIRED When Replacing Parts With Warning Labels Affixed)
1406	799096	1	VALVE, Debris
1477	799093	2	SCREW -(Debris Shield)



Carburetor and Fuel Supply Group

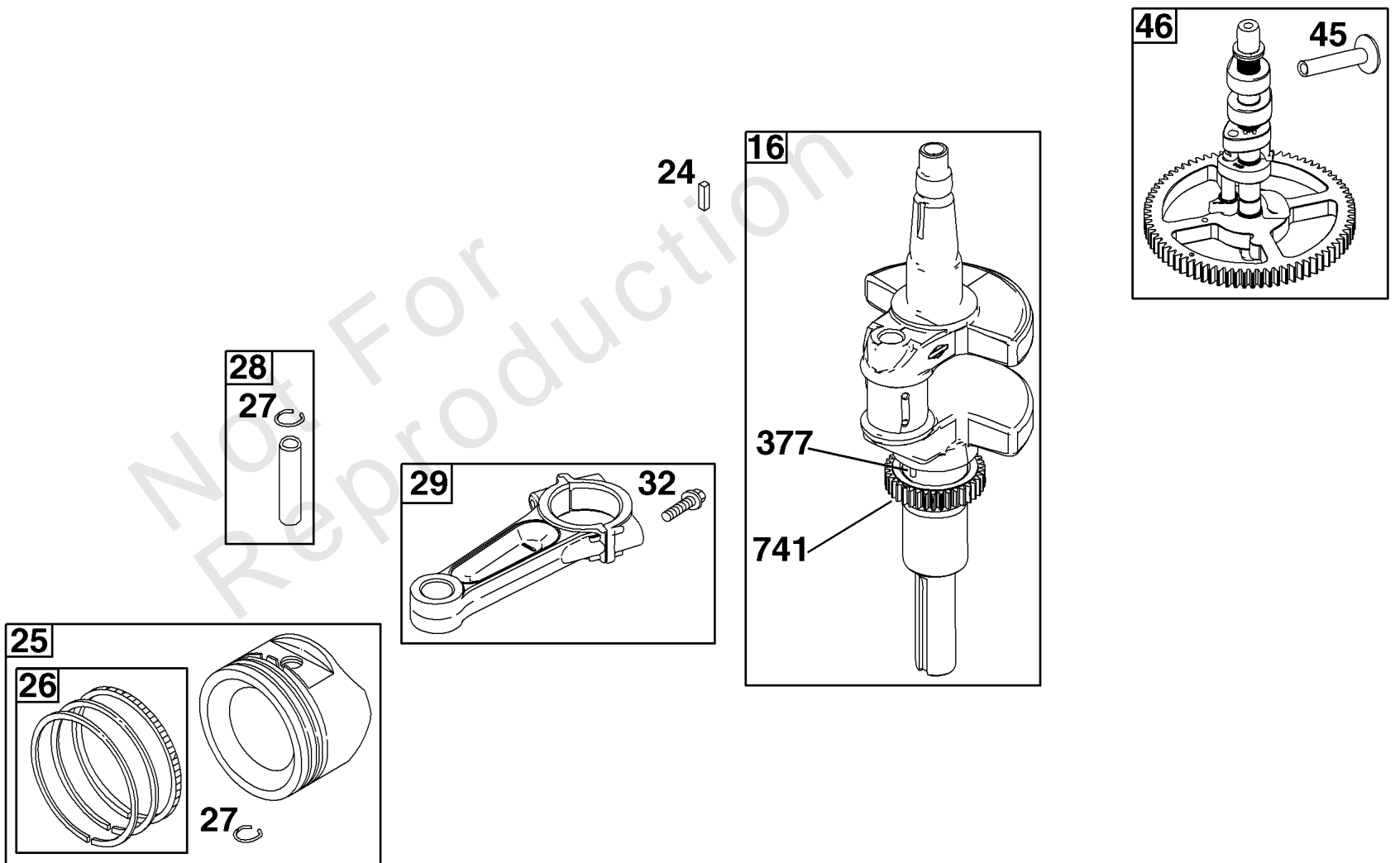
REF NO	PART NO	QTY	DESCRIPTION
51	-----	1	GASKET, Intake -(Part information located in Cylinder Head Group.)
53	690951	1	STUD -(Carburetor)
95	690718	4	SCREW -(Throttle Valve)
98	699721	1	KIT, Idle Speed
104	694918	1	PIN, Float Hinge
105	698537	1	VALVE, Float Needle
117	842585	1	JET, Main -(Standard)
118	792296	1	JET, Main -(High Altitude)
121	594212	1	KIT, Carburetor Overhaul -(Service Kits may include extra parts not specific to this engine.)
125	595798	1	CARBURETOR
127	699810	1	PLUG, Welch
133	694914	1	FLOAT, Carburetor
135	591701	1	TUBE, Fuel Transfer
137	698781	1	GASKET, Float Bowl
141	594211	1	KIT, Choke Shaft
163	594203	1	GASKET, Intake
186A	799158	1	CONNECTOR, Hose
186B	845141	1	CONNECTOR, Hose
187	791766	1	LINE, Fuel
216	-----	1	LINK, Choke -(Part information located in Controls Group.)
217	799771	1	SPRING, Choke Return
231	690718	2	SCREW -(Choke Valve)
240	845125	1	FILTER, Fuel
276	695410	2	WASHER, Sealing
385	797409	2	SCREW -(Fuel Pump)
387	597338	1	PUMP, Fuel
601	691038	1	CLAMP, Hose
633	699813	2	SEAL, Choke/Throttle Shaft
654	690958	2	NUT -(Carburetor)
703	691010	2	CLIP
918	799160	1	HOSE, Vacuum
950	694919	1	SCREW
964	-----	1	CAP, Connector -(Part information located in Blower Housing and Air Cleaner Group.)
975	591699	1	BOWL, Float
1127	695407	2	SCREW -(Float Bowl to Carburetor Body)



Not For
Reproduction

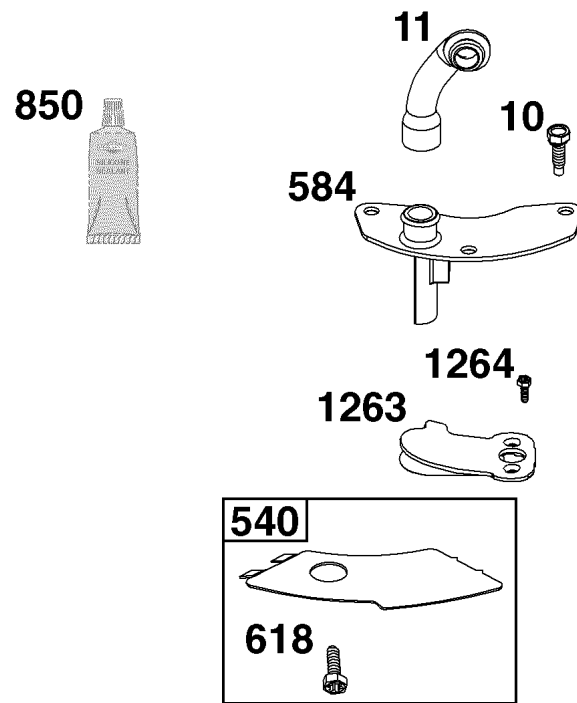
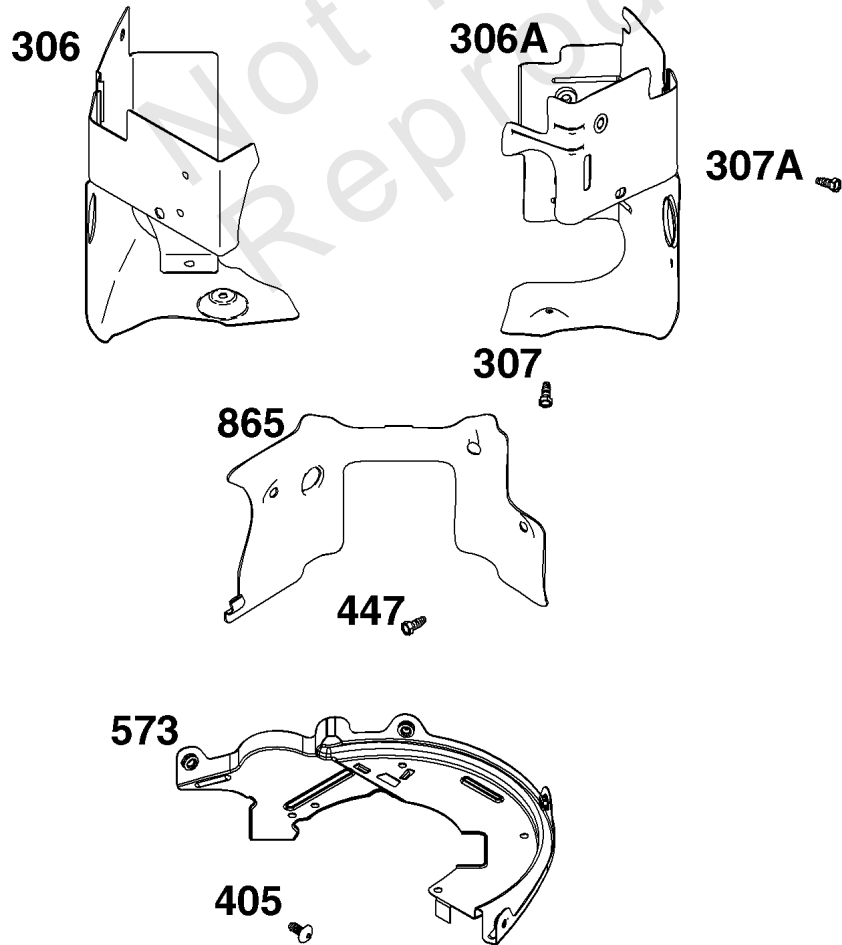
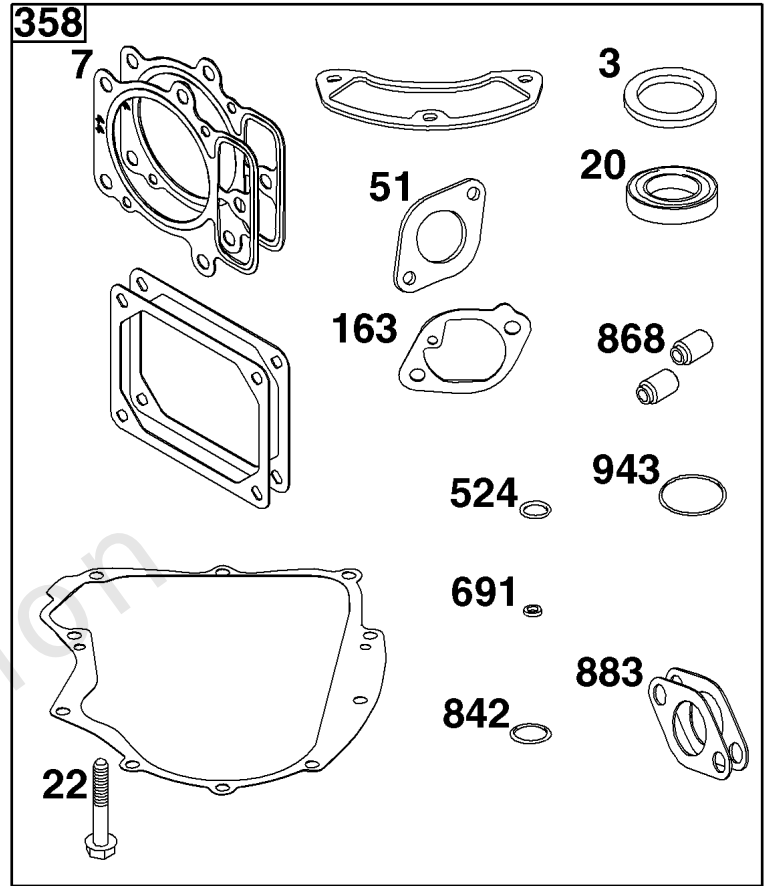
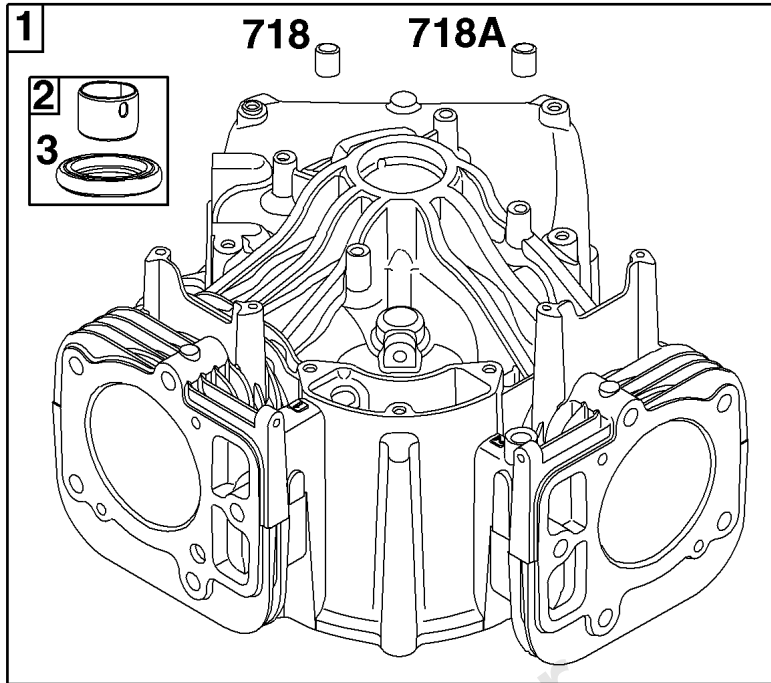
Controls Group

REF NO	PART NO	QTY	DESCRIPTION
188	691108	2	SCREW -(Control Bracket)
209	799258	1	SPRING, Governor -Used After Code Date 18080500
212	597778	1	LINK, Throttle
212A	84001913	1	LINK, Throttle
213	799510	1	BRACKET, Choke Control
216	691022	1	LINK, Choke
222	798916	1	BRACKET, Control
227	593857	1	LEVER, Governor Control
232	597550	1	SPRING, Governor Link
265	691024	1	CLAMP, Casing
267	792629	1	SCREW -(Casing Clamp)
505	691029	1	NUT -(Governor Control Lever)
537	594918	1	KIT, Governor/Idle Spring -Used Before Code Date 18080600
562	690311	1	BOLT -(Governor Control Lever)
789	695050	1	HARNESS, Wiring
789A	595243	1	HARNESS, Wiring
929	691003	2	SCREW -(Choke Control Bracket)
929A	794904	2	SCREW -(Choke Control Bracket)
1550	595801	1	PIN, Speed Setting



Crankshaft Group

REF NO	PART NO	QTY	DESCRIPTION
16	595707	1	CRANKSHAFT
24	222698S	1	KEY, Flywheel
25	793647	2	PISTON ASSEMBLY -(Standard)
25	793648	2	PISTON ASSEMBLY -(.020" Oversize)
26	791787	2	SET, Ring -(Standard)
26	791792	2	SET, Ring -(.020" Oversize)
27	690975	2	LOCK, Piston Pin
28	593650	2	PIN, Piston
29	796209	2	ROD, Connecting
32	690976	4	SCREW -(Connecting Rod)
45	-----	2	TAPPET, Valve -(Part information located in Cylinder Head Group.)
46	797242	1	CAMSHAFT
377	690979	1	KEY, Woodruff
741	690980	1	GEAR, Timing

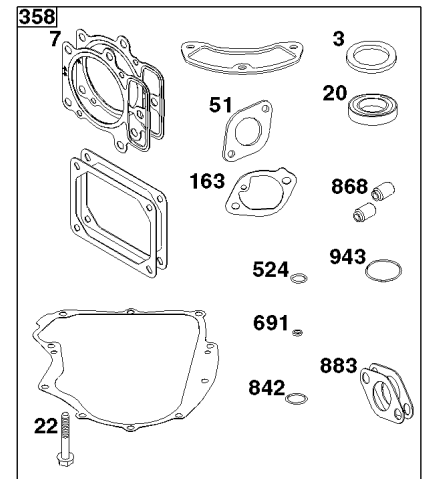
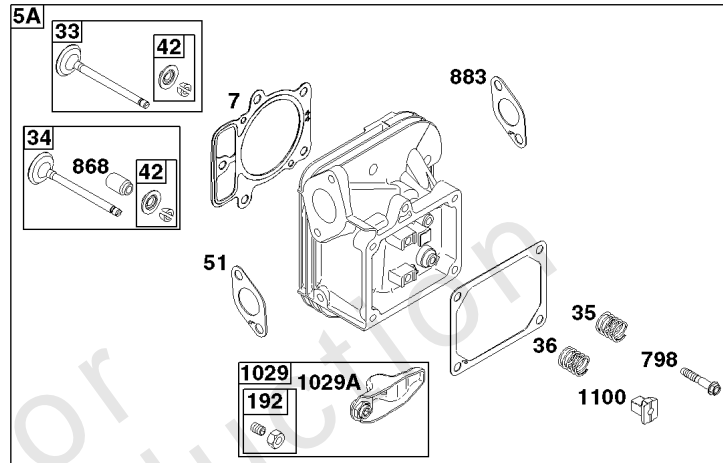
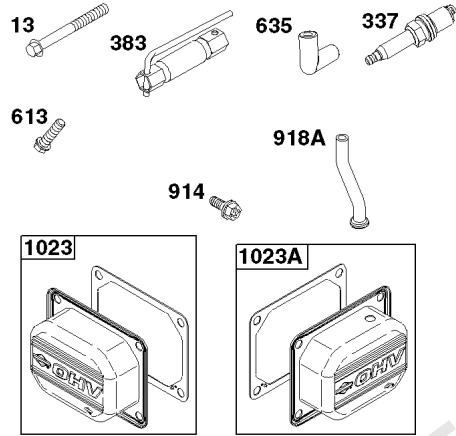
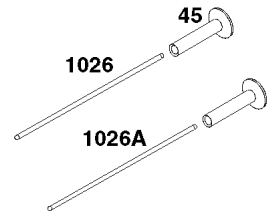
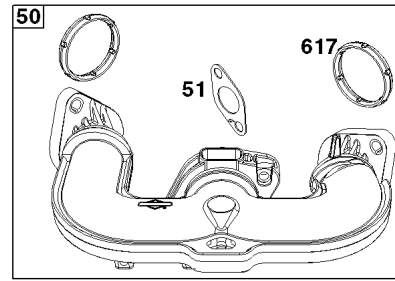
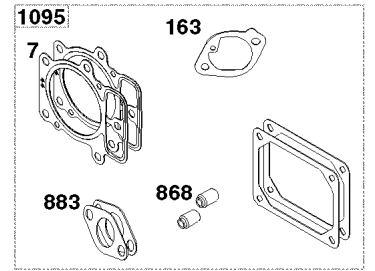
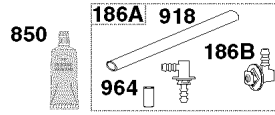
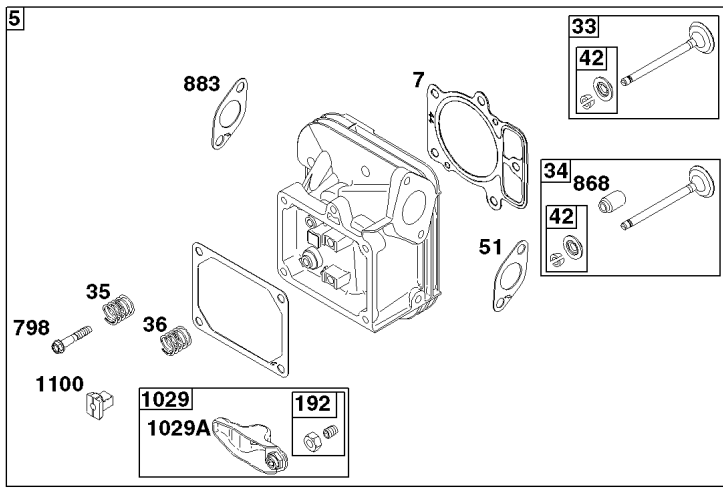


Cylinder Group

REF NO	PART NO	QTY	DESCRIPTION
1	594969	1	CYLINDER ASSEMBLY
2	797673	1	KIT, Bushing/Seal -(Magneto Side)
3	391086S	1	SEAL, Oil -(Magneto Side)
7	-----	2	GASKET, Cylinder Head -(Part information located in Cylinder Head Group.)
10	691108	1	SCREW -(Breather Assembly)
11	594163	1	TUBE, Breather
20	-----	1	SEAL, Oil -(Part information located in Crankcase Cover/Sump Group.)
22	-----	6	SCREW -(Part information located in Crankcase Cover/Sump Group.)
51	-----	1	GASKET, Intake -(Part information located in Cylinder Head Group.)
163	-----	1	GASKET, Air Cleaner -(Part information located in Carburetor and Fuel Supply Group.)
306	796852	1	SHIELD-CYLINDER
306A	591666	1	SHIELD-CYLINDER
307	691003	2	SCREW -(Cylinder Shield)
307A	691108	2	SCREW -(Cylinder Shield)
358	-----	1	GASKET SET, Engine -(Part information located in Cylinder Head Group.)
405	594937	4	SCREW -(Back Plate)
447	691003	2	SCREW -(Air Guide Cover)
524	-----	1	SEAL, O-Ring -(Part information located in Lubrication Group.)
540	594325	1	PLATE, Baffle
573	595758	1	PLATE, Back
584	594164	1	COVER, Breather Passage
618	594326	1	SCREW -(Baffle Plate)
691	-----	1	SEAL, Governor Shaft -(Part information located in Crankcase Cover/Sump Group.)
718	690959	1	PIN, Locating
718A	594988	1	PIN, Locating
842	-----	1	SEAL, O-Ring -(Part information located in Lubrication Group.)
850	-----	1	SEALANT, Liquid -(Part information located in Crankcase Cover/Sump Group.)
865	591667	1	COVER, Air Guide
868	-----	1	SEAL, Valve -(Part information located in Cylinder Head Group.)
883	-----	2	GASKET, Exhaust -(Part information located in Cylinder Head Group.)
943	-----	1	SEAL, O-Ring -(Part information located in Lubrication Group.)
1263	594166	1	REED, Breather
1264	594165	1	SCREW -(Breather Reed)

Cylinder Head Group

Mfg. No: 40T876-0011-G1



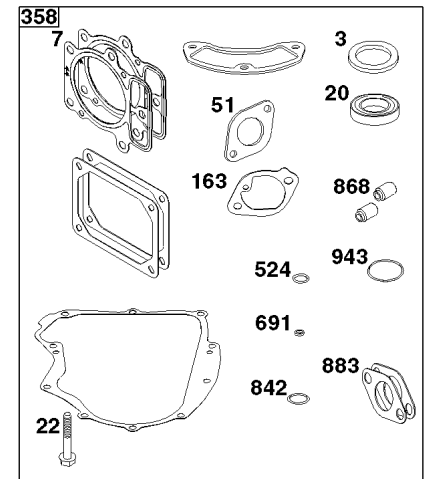
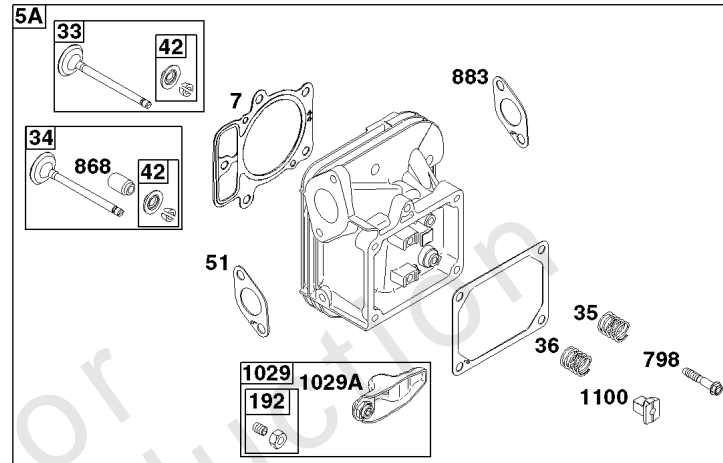
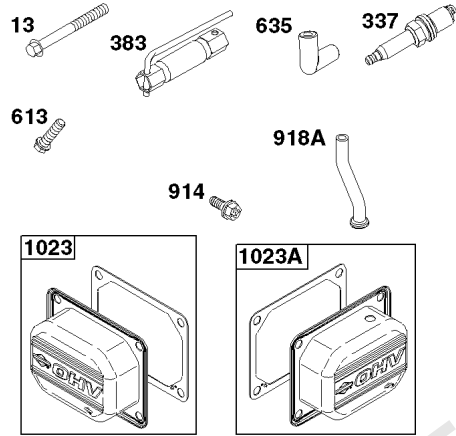
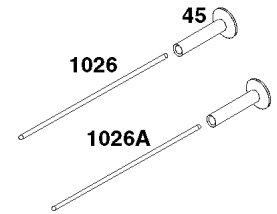
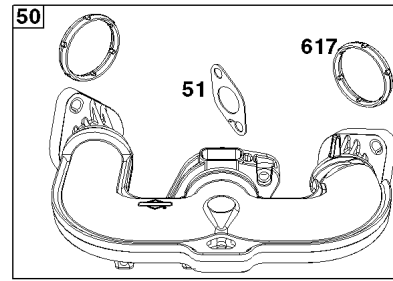
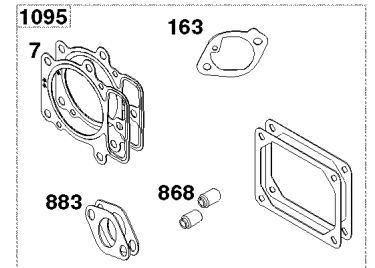
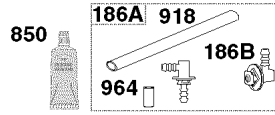
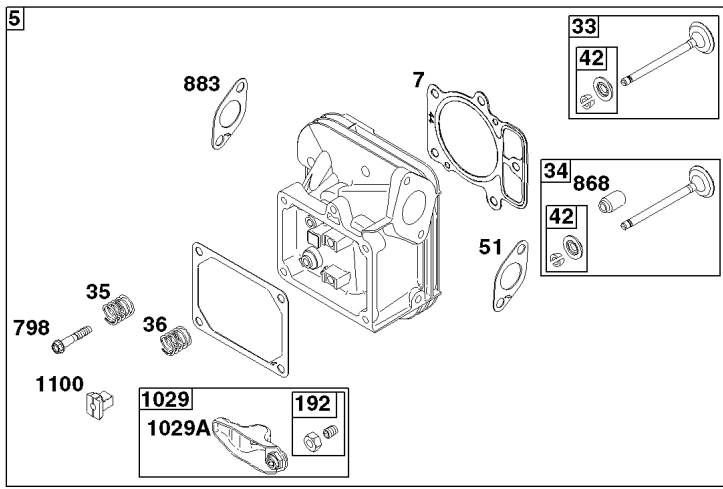
Not For
Reproduction

Cylinder Head Group

REF NO	PART NO	QTY	DESCRIPTION
3	-----	1	SEAL, Oil -(Part information located in Cylinder Group.)
5	84001918	1	HEAD, Cylinder
5A	84001919	1	HEAD, Cylinder
7	693997	2	GASKET, Cylinder Head
13	592244	10	SCREW -(Cylinder Head)
20	-----	1	SEAL, Oil -(Part information located in Crankcase Cover/Sump Group.)
22	-----	10	SCREW -(Part information located in Crankcase Cover/Sump Group.)
33	793557	2	VALVE, Exhaust
34	793556	2	VALVE, Intake
35	694865	2	SPRING, Valve -(Intake)
36	694865	2	SPRING, Valve -(Exhaust)
42	499586	4	KEEPER, Valve
45	690977	4	TAPPET, Valve
50	594206	1	MANIFOLD, Intake
51	594204	1	GASKET, Intake
54	699816	4	SCREW -(Intake Manifold)
163	-----	1	GASKET, Air Cleaner -(Part information located in Carburetor and Fuel Supply Group.)
186A	-----	1	CONNECTOR, Hose -(Part information located in Carburetor and Fuel Supply Group.)
186B	-----	1	CONNECTOR, Hose -(Part information located in Carburetor and Fuel Supply Group.)
192	690083	4	ADJUSTER, Rocker Arm
337	491055S	2	PLUG, Spark
337	84007216	2	PLUG, SPARK -(China Only)
358	594213	1	GASKET SET, Engine
383	19576S	1	WRENCH, Spark Plug
524	-----	1	SEAL, O-Ring -(Part information located in Lubrication Group.)
613	690341	4	SCREW -(Muffler)
617	594209	2	SEAL, O-Ring -(Intake Manifold)
635	692076	2	BOOT, Spark Plug
691	-----	1	SEAL, Governor Shaft -(Part information located in Crankcase Cover/Sump Group.)
798	697890	4	SCREW -(Rocker Arm)
842	-----	1	SEAL, O-Ring -(Part information located in Lubrication Group.)
850	100106	1	SEALANT, Liquid
868	690968	2	SEAL, Valve
883	690970	2	GASKET, Exhaust
914	691127	8	SCREW -(Rocker Cover)
918	-----	1	HOSE, Vacuum -(Part information located in Carburetor and Fuel Supply Group.)
918A	596163	1	HOSE, Vacuum
943	-----	1	SEAL, O-Ring -(Part information located in Crankcase Cover/Sump Group.)

Cylinder Head Group

Mfg. No: 40T876-0011-G1

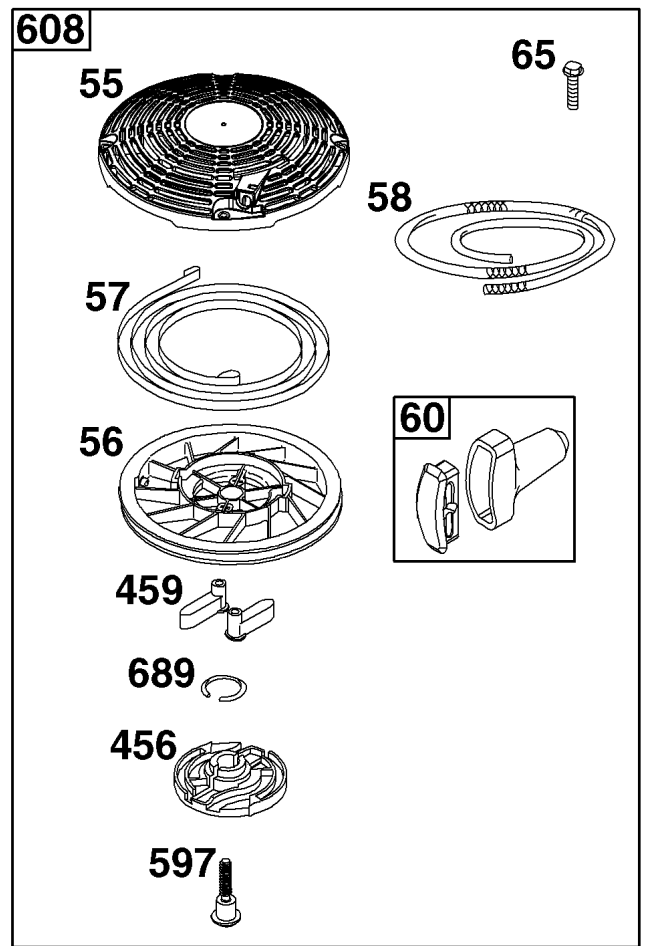
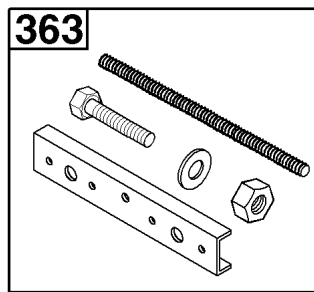
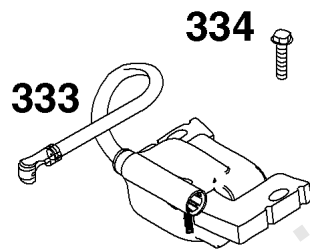
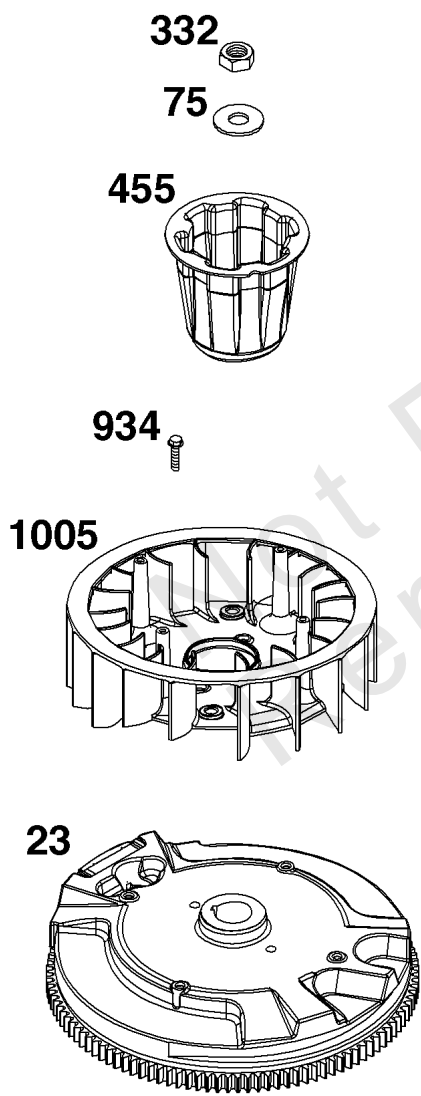


Not For
Reproduction

Cylinder Head Group

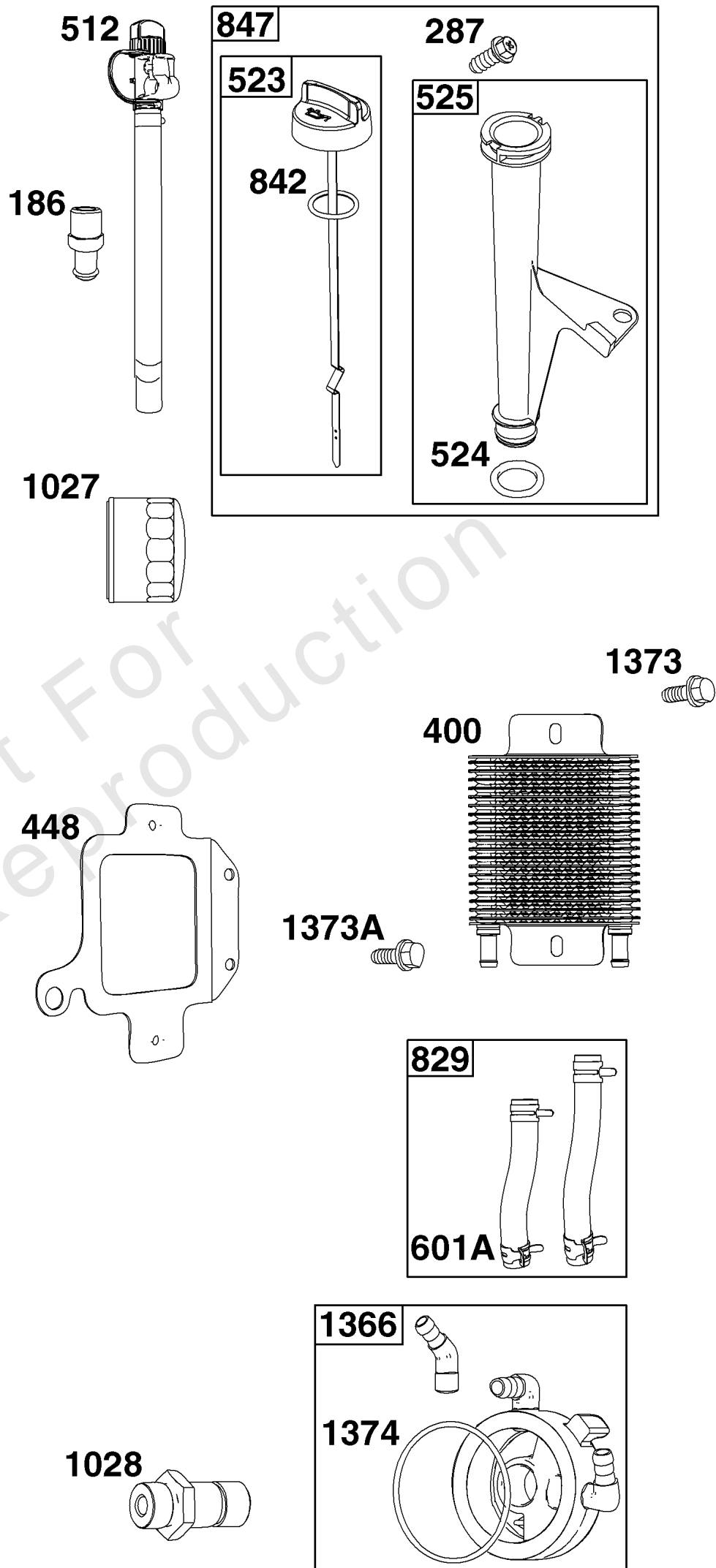
REF NO	PART NO	QTY	DESCRIPTION
964	-----	1	CAP, Connector -(Part information located in Blower Housing and Air Cleaner Group.)
1023	499600	1	COVER, Rocker
1026	597785	2	ROD, Push
1029	690972	2	ARM, Rocker
1100	791959	4	PIVOT, Rocker Arm
1023A	793146	1	COVER, Rocker
1026A	690982	2	ROD, Push -(Aluminum)
1029A	807323	2	ARM, Rocker
1095	694013	1	GASKET SET, Valve

Not For Reproduction



Flywheel, Ignition, and Starter Group

REF NO	PART NO	QTY	DESCRIPTION
23	594169	1	FLYWHEEL
55	595248	1	HOUSING, Rewind Starter
56	695129	1	PULLEY, Starter
57	695131	1	SPRING, Rewind Starter
58	695132	1	ROPE, Starter
60	595253	1	GRIP, Starter Rope
65	799360	4	SCREW -(Rewind Starter)
75	691056	1	WASHER -(Flywheel)
332	691059	1	NUT -(Flywheel)
333	592846	2	ARMATURE, Magneto
334	691061	4	SCREW -(Magneto Armature)
363	19621	1	PULLER, Flywheel
455	595143	1	CUP, Flywheel
456	695128	1	PLATE, Pawl Friction
459	281505S	1	PAWL-RATCHET
597	595247	1	SCREW -(Pawl Friction Plate)
608	595133	1	STARTER, Rewind
689	691855	1	SPRING-FRICTION
934	593638	4	SCREW -(Fan Retainer)
1005	593640	1	FAN, Flywheel



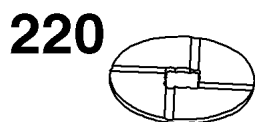
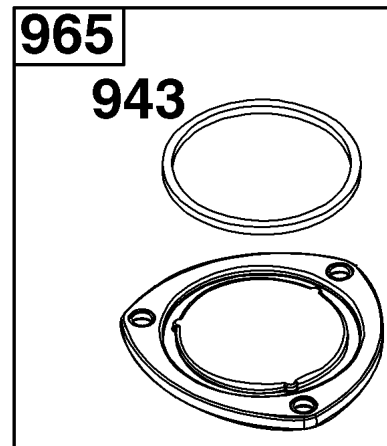
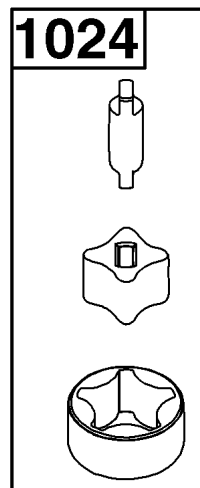
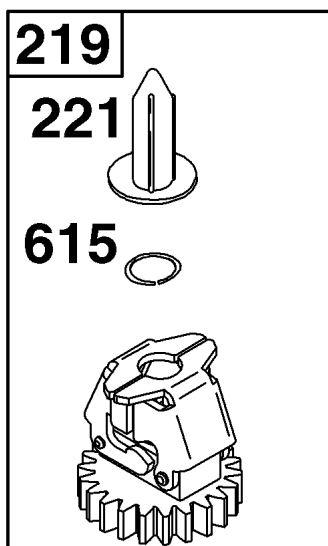
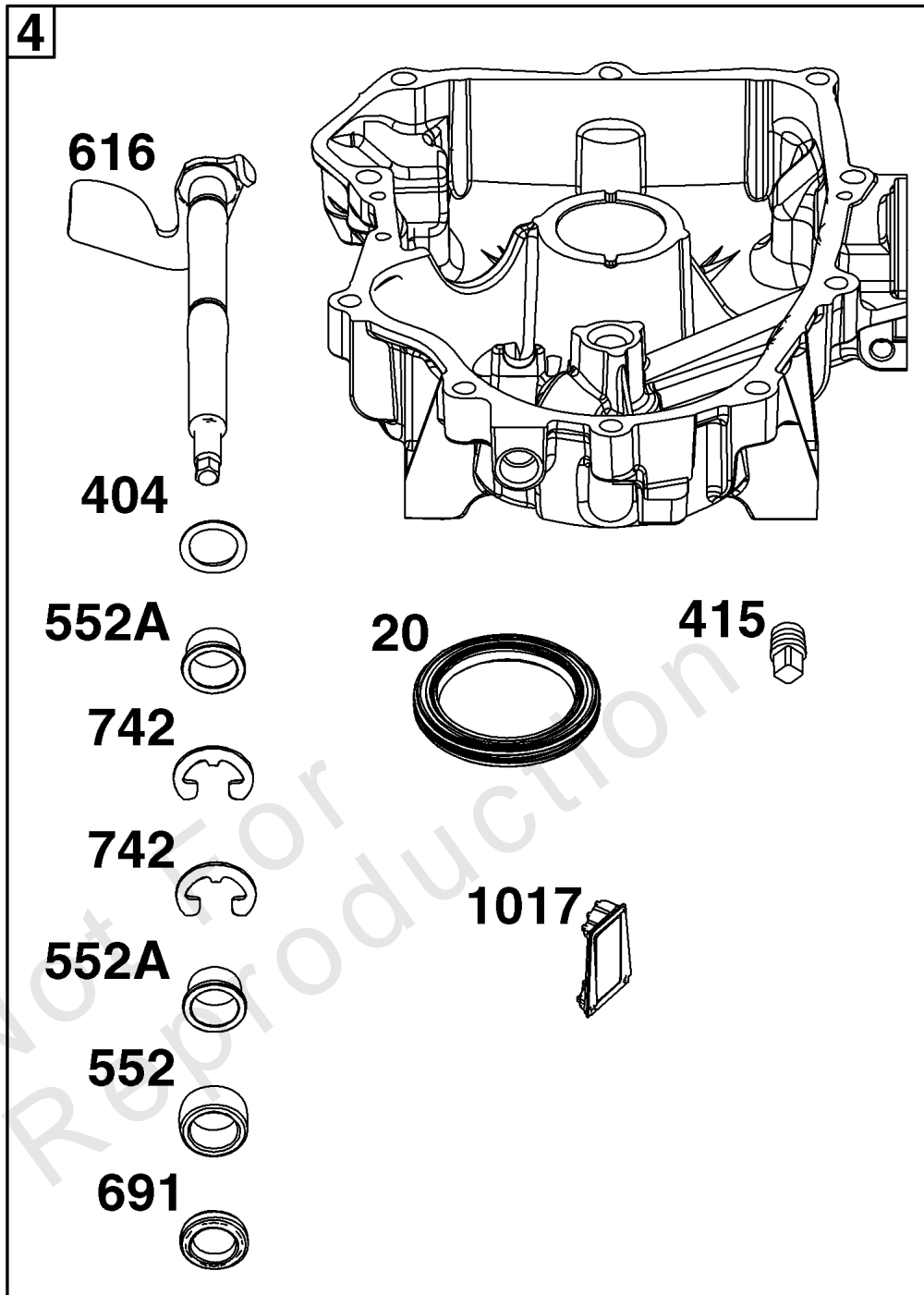
Lubrication Group

REF NO	PART NO	QTY	DESCRIPTION
186	796532	1	CONNECTOR, Hose
287	697820	1	SCREW -(Dipstick Tube)
400	796862	1	COOLER, Oil
448	799103	1	BRACKET, Oil Cooler
512	594200	1	HOSE, Oil Drain
523	594528	1	DIPSTICK
524	691032	1	SEAL, O-Ring -(Dipstick Tube)
525	597129	1	TUBE, Dipstick
601A	841597	4	CLAMP, Hose
829	799104	1	HOSE, Oil Cooler
842	691031	1	SEAL, O-Ring -(Dipstick Cap)
847	597130	1	DIPSTICK/TUBE ASSEMBLY
1027	696854	1	FILTER, Oil
1028	796864	1	ADAPTER, Oil Filter
1366	799131	1	DIVERTER, Oil Cooler
1373	695629	2	SCREW -(Oil Cooler Bracket)
1373A	799105	2	SCREW -(Oil Cooler Bracket)
1374	796863	1	SEAL, O-Ring -(Oil Cooler Diverter)

Replacement Engine - US & Canada

REF NO	PART NO	QTY	DESCRIPTION
	40T8760009G1	1	Replacement Engine
	797093	1	SB MODEL 44Q7
	-----		Top No-Load Speed: 3600
	-----		Service Note: Transfer the Governor Spring and Governor Idle Spring to the replacement engine.

Not For Reproduction



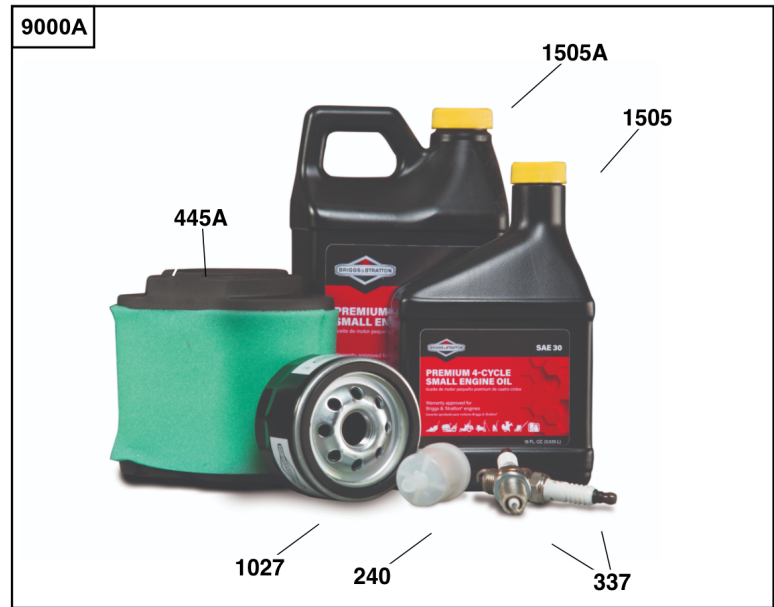
Sump Group

REF NO	PART NO	QTY	DESCRIPTION
4	594973	1	SUMP, Engine
20	795387	1	SEAL, Oil -(PTO Side)
22	694966	10	SCREW -(Crankcase Cover/Sump)
219	793338	1	GEAR, Governor
220	799772	1	WASHER -(Governor Gear)
221	841026	1	CUP, Governor
404	690442	1	WASHER -(Governor Crank)
415	794903	1	PLUG
552	690553	1	BUSHING, Governor Crank
552A	796638	1	BUSHING, Governor Crank
615	698290	1	RETAINER, Governor Shaft
616	691045	1	CRANK, Governor
691	790574	1	SEAL, Governor Shaft
742	690328	1	RETAINER, E Ring
750	796208	3	SCREW -(Oil Pump Cover)
850	-----	1	SEALANT, Liquid -(Part information located in Cylinder Head Group.)
943	796222	1	SEAL, O-Ring -(Oil Pump Cover)
965	796221	1	COVER, Oil Pump
1017	796214	1	SCREEN, Oil Pump
1024	796220	1	PUMP, Oil



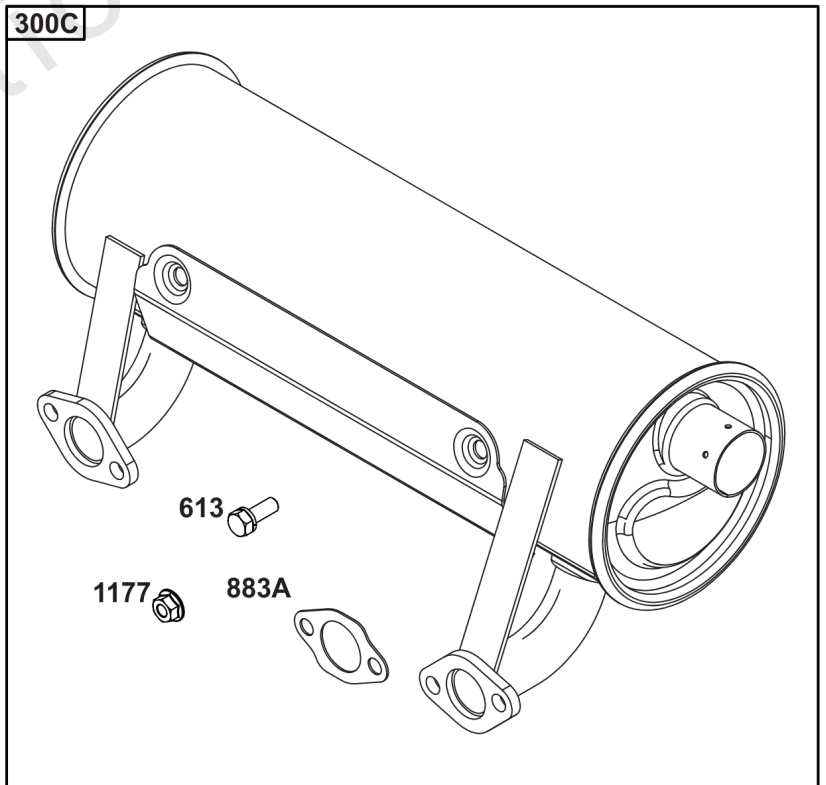
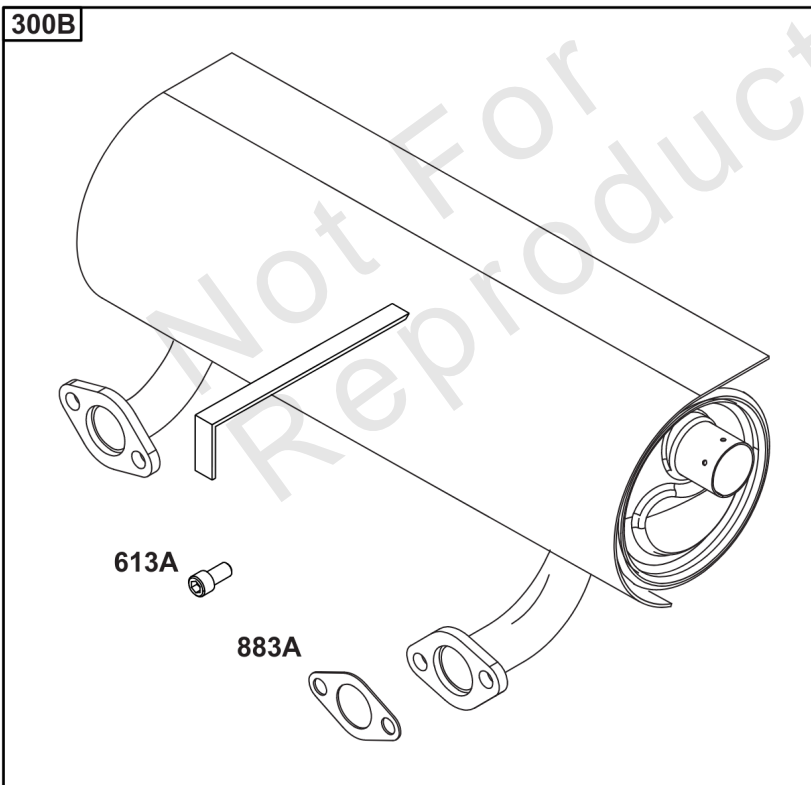
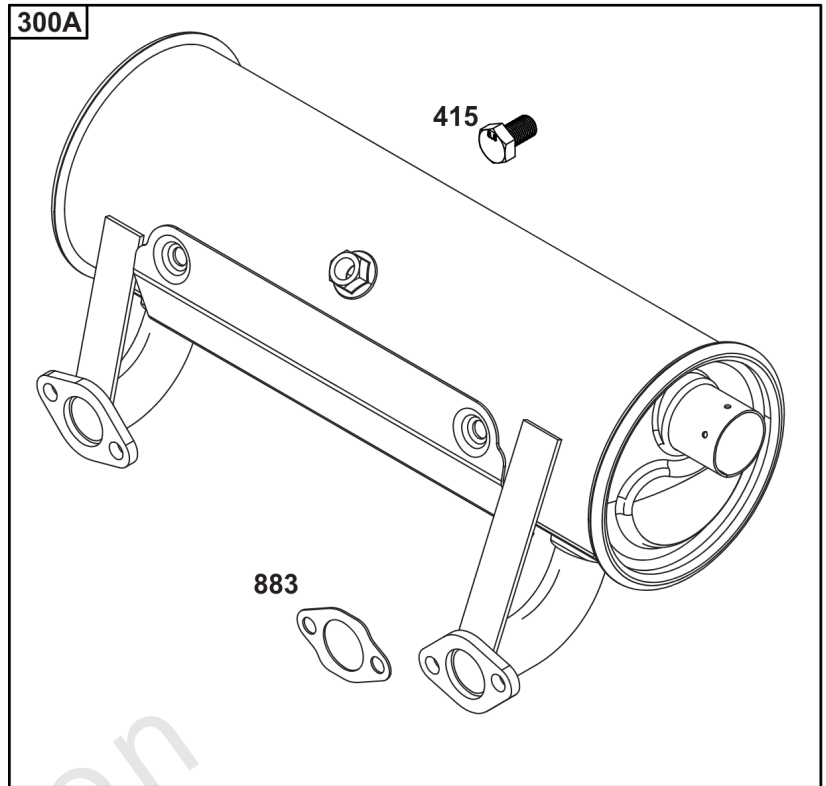
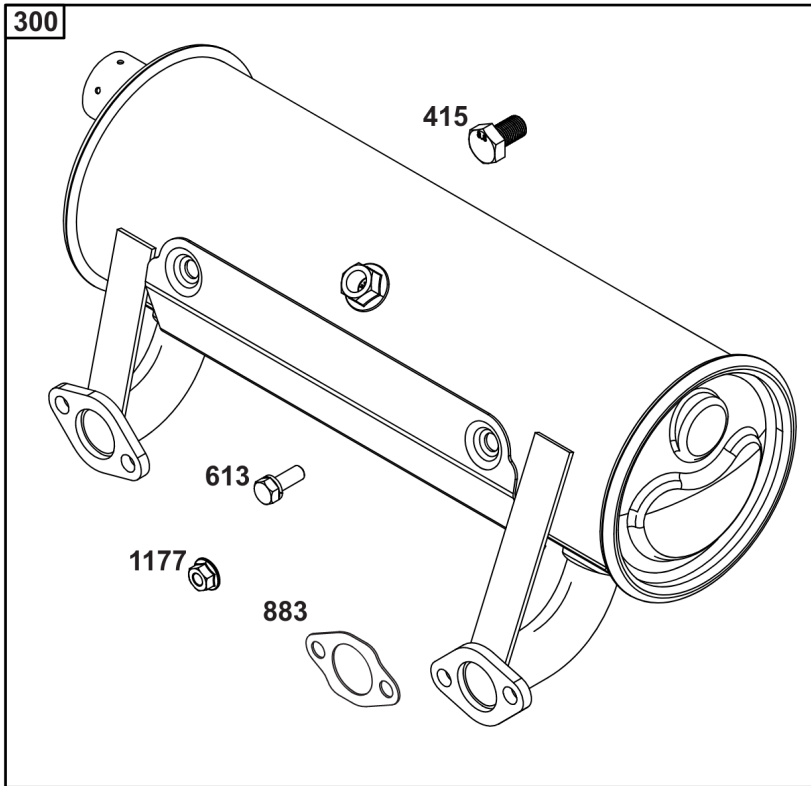
Model 40, 44 & 49 Engine Accessories Catalog

Not For
Reproduction



Maintenance Kits

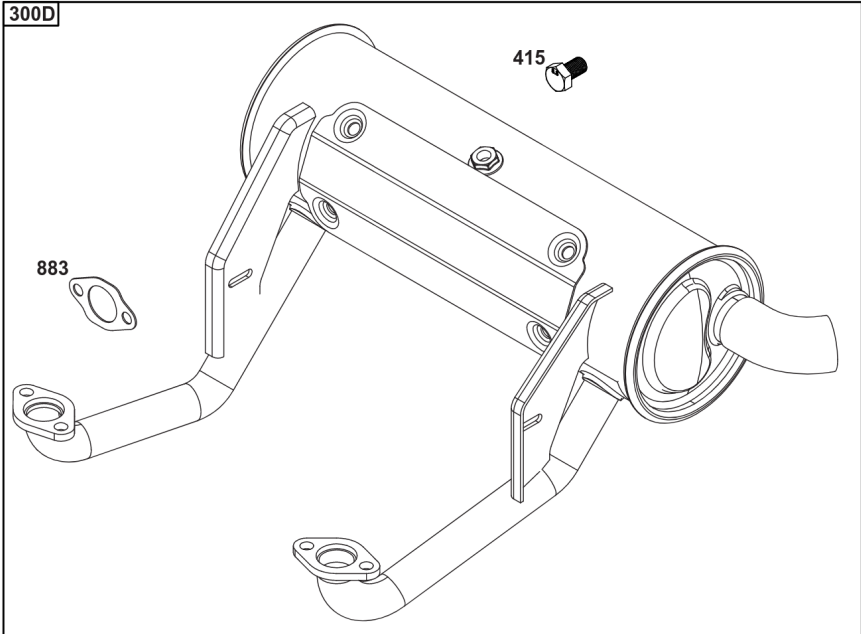
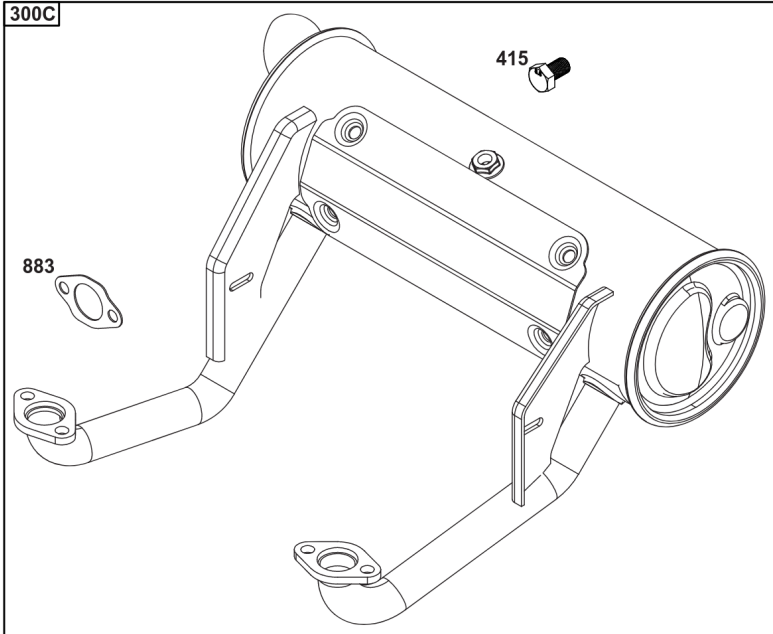
REF NO	PART NO	QTY	DESCRIPTION
9000	84002442		KIT, Maintenance -(Intek / EXi V-Twin Engines) (Do not use with Home Standby Generators.)
9000A	84002317		KIT, Maintenance -(Professional Series™ V-Twin Engines) (Do not use with Home Standby Generators.)
9000B	84002316		KIT, Maintenance -(Commercial Series V-Twin Engines) (Do not use with Home Standby Generators.)
9000C	84002318		KIT, Maintenance -(Oil Guard™ Engines) (Do not use with Home Standby Generators.)
9000D	84002315		KIT, Maintenance -(Non-Oil Guard™ Engines) (Do not use with Home Standby Generators.)
240	84001895	1	FILTER, Fuel -(40 Micron)
240A	845125	1	FILTER, Fuel -(20 Micron)
337	491055S	2	PLUG, Spark
445	594201	1	FILTER, A/C Cartridge
445A	792105	1	FILTER, A/C Cartridge
445B	798897	1	FILTER, A/C Cartridge
445C	841497	1	FILTER, A/C Cartridge
967	797704	1	FILTER, Pre Cleaner
1027	492932S	1	FILTER, Oil -(Standard)
1027A	696854	1	FILTER, Oil -(Premium)
1027B	842921	1	FILTER, Oil -(Vanguard®)
1027C	84007094	1	FILTER, OIL -(Oil Guard™)
1505	100005		OIL-4 CYCLE 30W 18OZ. -(18 oz. Bottle)
1505A	100028		OIL-4 CYCLE30W 48OZ -(48 oz. Bottle)
1505B	100170		OIL-5QT VANGUARD (CASE) -(5 qt. Bottle)
1505C	100169		OIL-1QT VANGUARD (CASE) -(1 qt. Bottle)



Engine Mounted Below Deck Mufflers

REF NO	PART NO	QTY	DESCRIPTION
300	594584	1	KIT-MUFFLER/GUARD -(Oil Filter Side Outlet) (Engine Supported) (O2 Sensor Port)
300A	593877	1	MUFFLER -(Starter Side Outlet) (Engine Supported) (O2 Sensor Port)
300B	594583	1	MUFFLER -(Starter Side Outlet) (Engine Supported) (No O2 Sensor Port)
300C	692120	1	MUFFLER -(Starter Side Outlet) (No O2 Sensor Port)
415	596859	1	PLUG -(O2 Sensor Port)
613	690341	4	SCREW -(Muffler)
613A	690363	4	SCREW -(Muffler)
883	594365	2	GASKET, Exhaust
883A	690970	2	GASKET, Exhaust
1177	690941	4	NUT -(Muffler)

Not For Reproduction



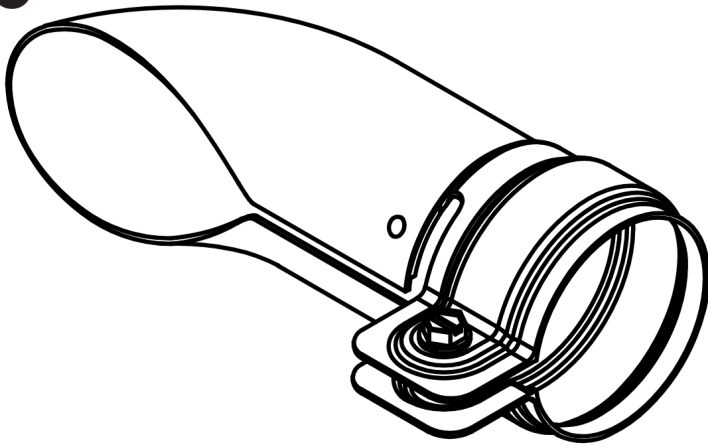
Not For
Reproduction

Engine Mounted Above Deck Mufflers

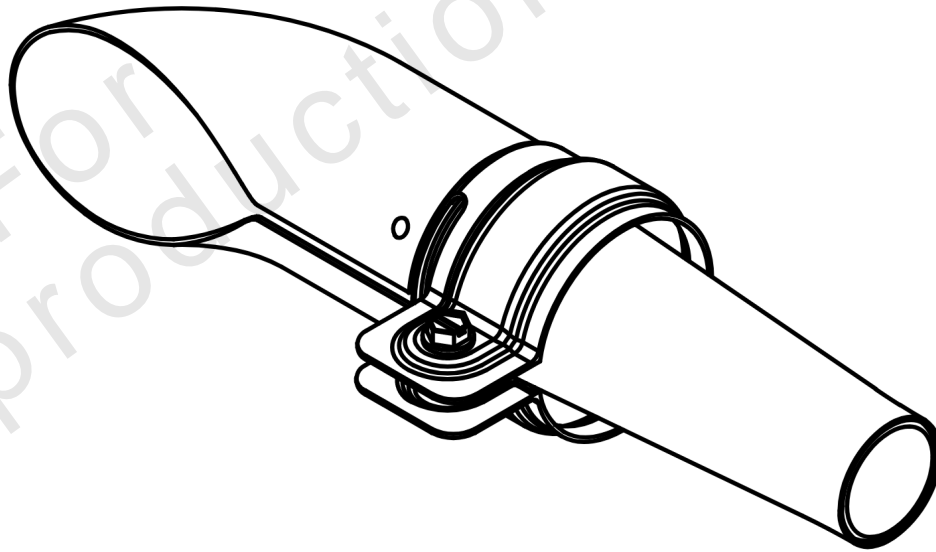
REF NO	PART NO	QTY	DESCRIPTION
300C	595138	1	MUFFLER -(Oil Filter Side Outlet) (Self-Supporting) (O2 Sensor Port)
300D	595139	1	MUFFLER -(Starter Side Outlet) (Self-Supporting) (O2 Sensor Port)
415	596859	1	PLUG -(O2 Sensor Port)
883	594365	2	GASKET, Exhaust

Not For Reproduction

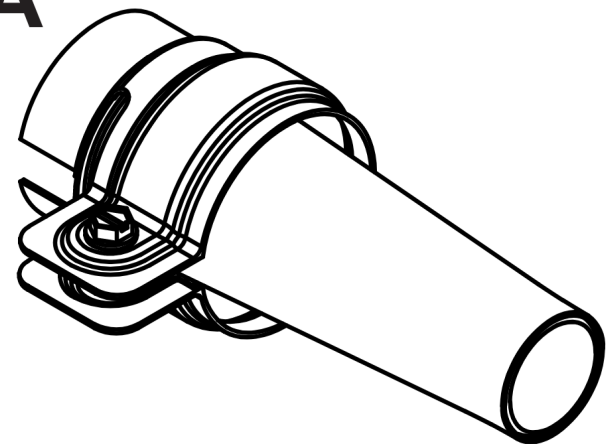
676



994



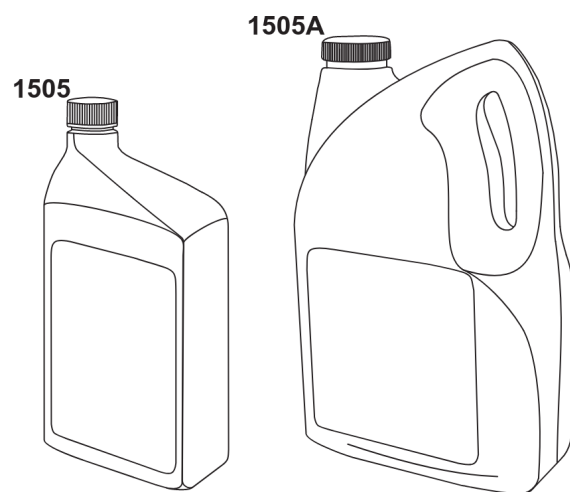
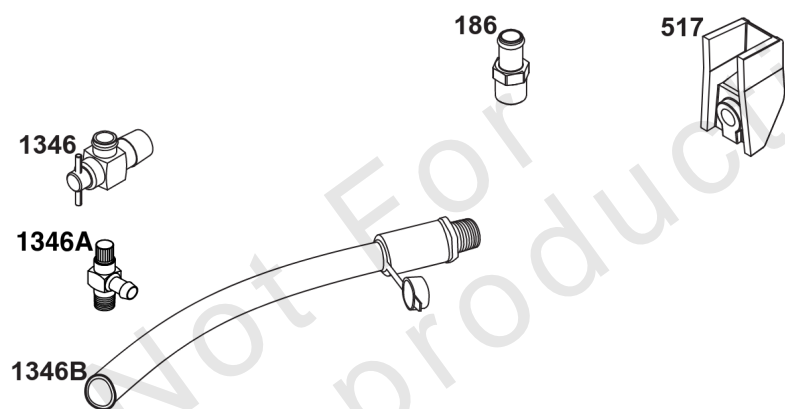
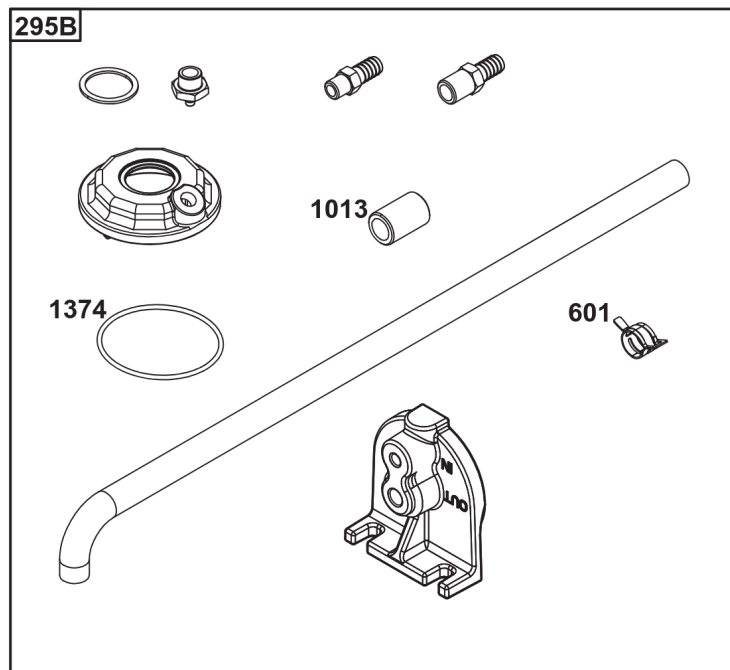
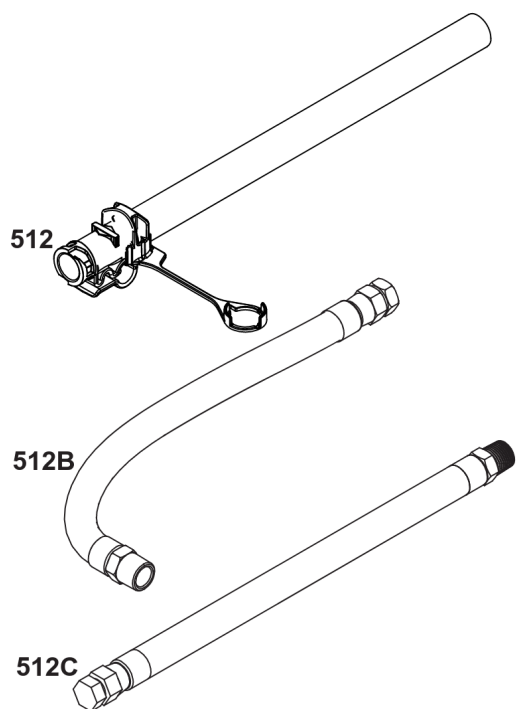
994A



Spark Arrester/Deflector

REF NO	PART NO	QTY	DESCRIPTION
676	593869	1	DEFLECTOR, Muffler -(For Below Deck Mufflers Only)
994	593885	1	ARRESTOR, Spark -(For Below Deck Mufflers Only)
994A	593868	1	ARRESTOR, Spark -(For Below Deck Mufflers Only)

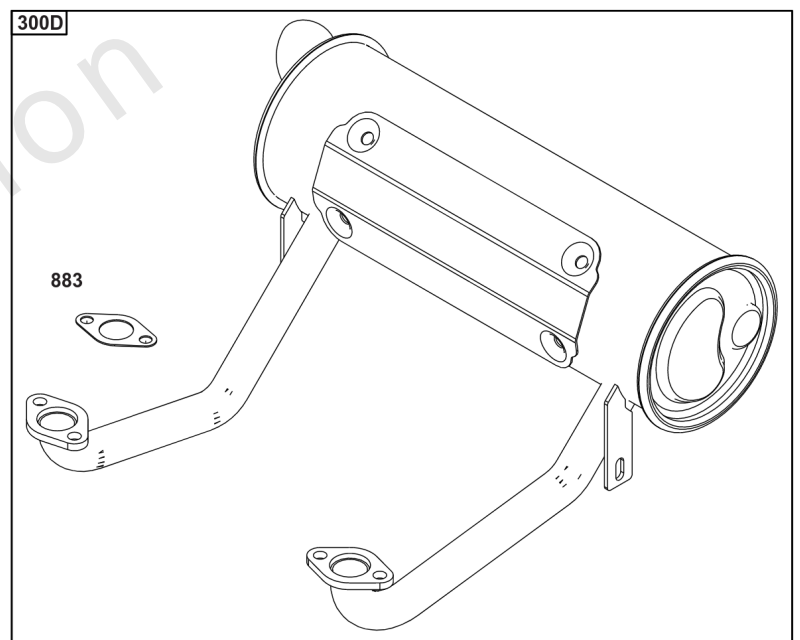
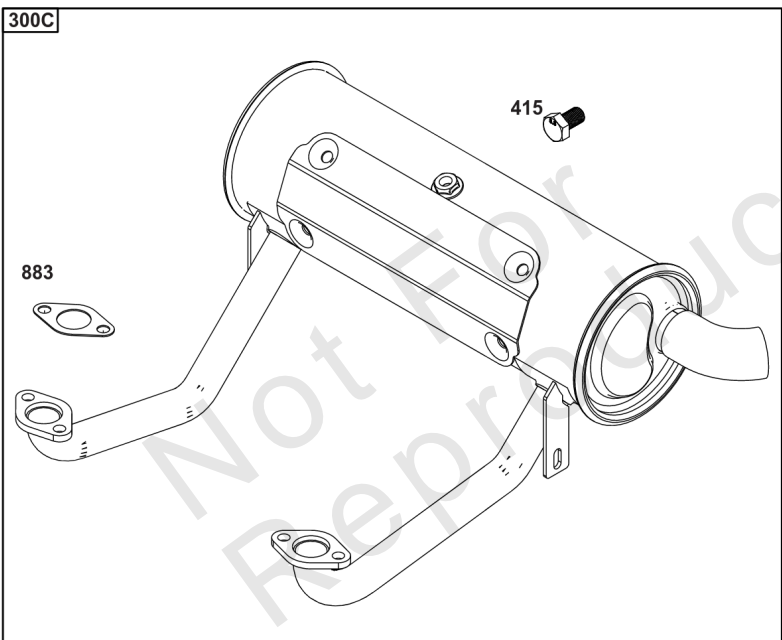
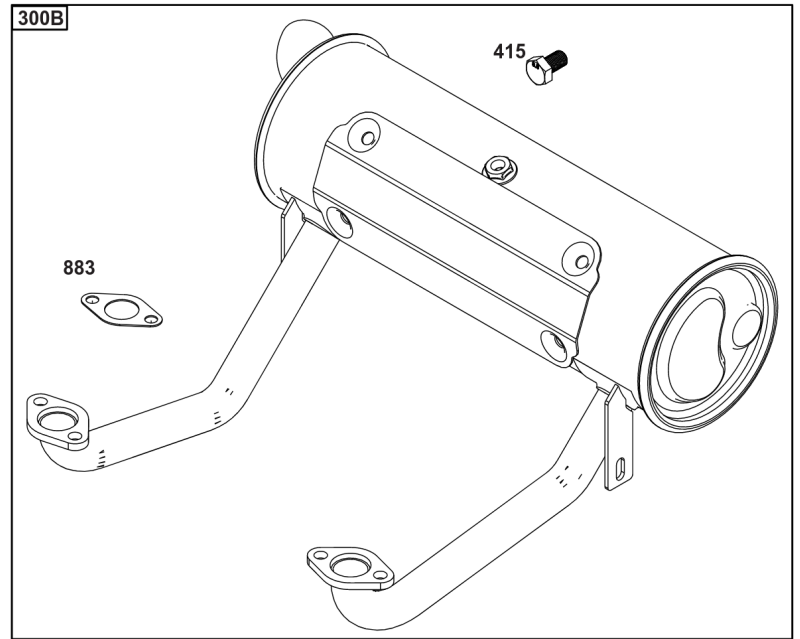
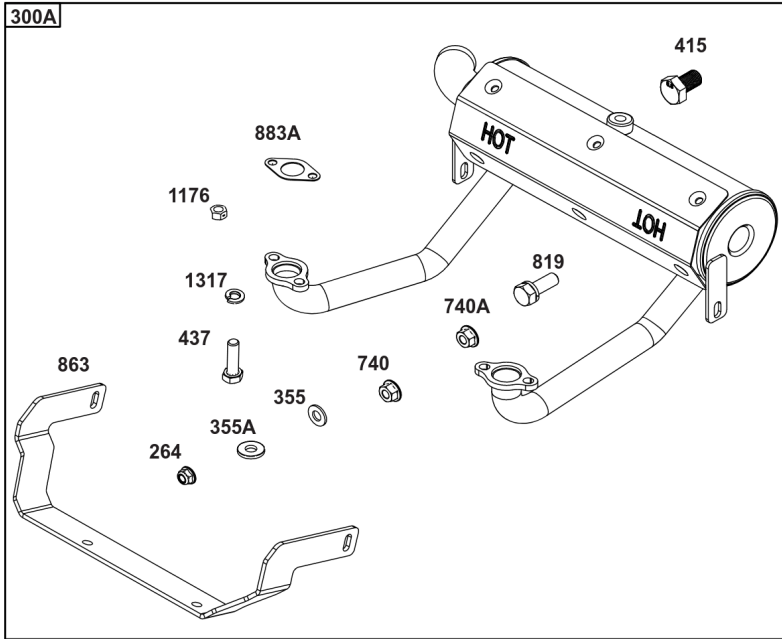
Not For Reproduction



Lubrication

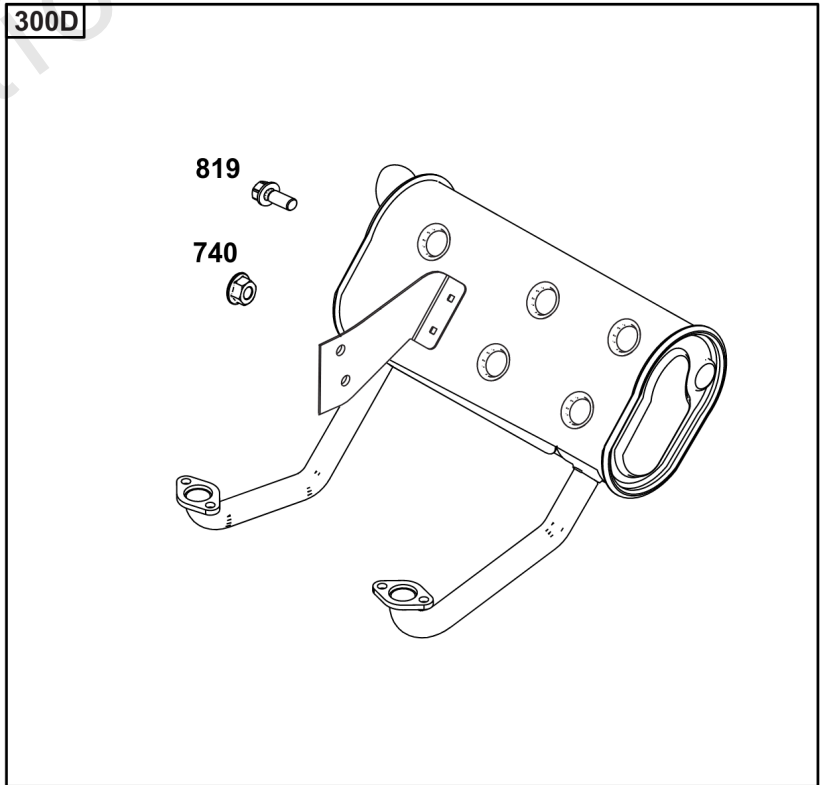
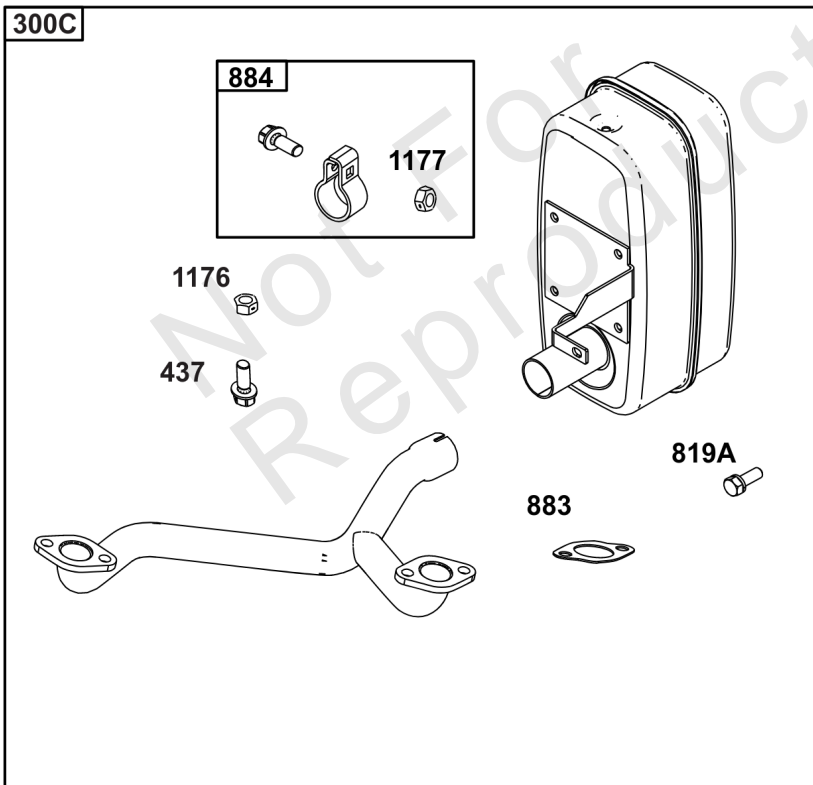
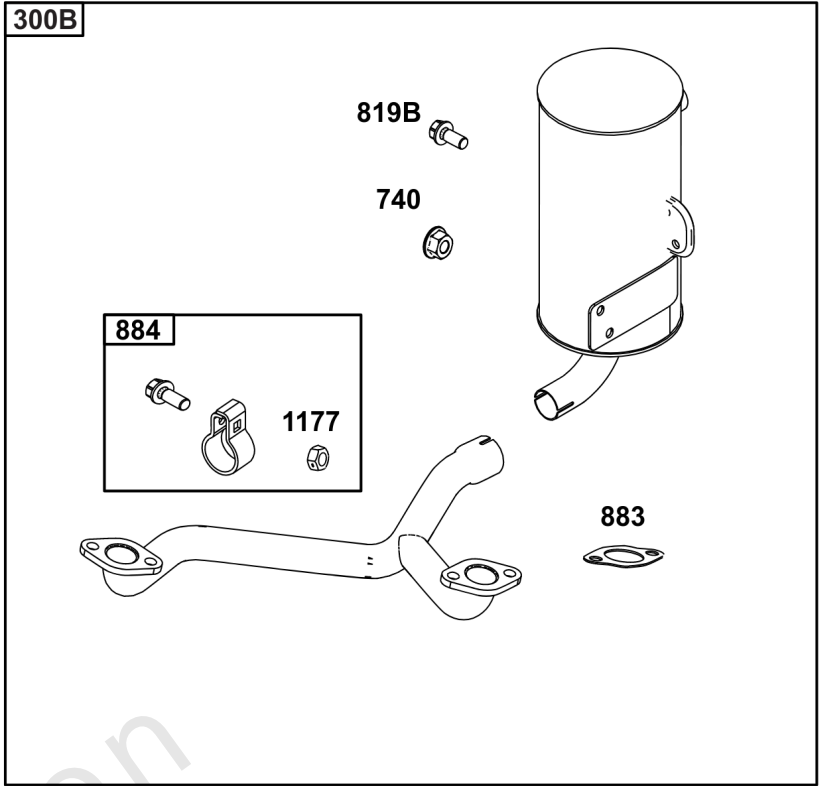
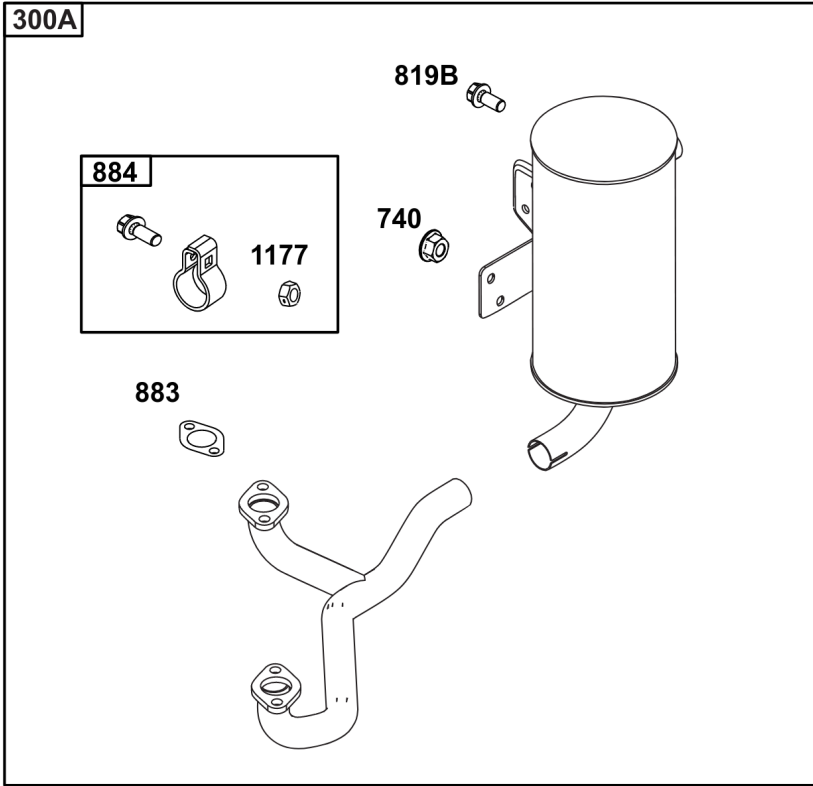
REF NO	PART NO	QTY	DESCRIPTION
186	796532	1	CONNECTOR, Hose -(Threaded Engine Block Connector for EZ-Oil Drain Hose) (Order hose separate)
239	690233	1	SWITCH, Oil Pressure -(2-4 PSI Normally-Closed Switch)
239A	491657S	1	SWITCH, Oil Pressure -(3-5 PSI Normally-Closed Switch)
239B	841281	1	SWITCH, Oil Pressure -(7-10 PSI Normally-Closed Switch)
239C	694115	1	SWITCH, Oil Pressure -(9-13 PSI Normally-Closed Switch)
239D	697049	1	SWITCH, Oil Pressure -(3-6 PSI Normally-Open Switch)
295B	594271	1	ADAPTER, Remote Oil Filter -(Remote Oil Filter Kit)
512	594200	1	HOSE, Oil Drain -(EZ-Oil Drain Hose, 10.5") (Order threaded engine block connector separate)
512	593635	1	HOSE, Oil Drain -(EZ-Oil Drain Hose, 13.75") (Order threaded engine block connector separate)
512B	1723165SM	1	HOSE, Oil Drain, 10-1/2" Long, 3/8-18 Fittings -(10.5")
512C	5048681SM	1	HOSE, OIL DRAIN -(12.5")
517	593633	1	RETAINER, Oil Drain
601	841597	4	CLAMP, Hose
1013	690954	1	NIPPLE, Oil Filter
1346	844802	1	VALVE, Oil Drain Shut Off
1346A	492031	1	VALVE, Oil Drain Shut Off
1346B	5401WEB	1	VALVE, Oil Drain Shut Off -(1/4 Turn Oil Drain Valve with Hose)
1374	796863	1	SEAL, O-Ring
1505	100169		OIL-1QT VANGUARD (CASE) -(1 qt. Bottle)
1505A	100170		OIL-5QT VANGUARD (CASE) -(5 qt. Bottle)

Implement Mounted Above Deck Mufflers



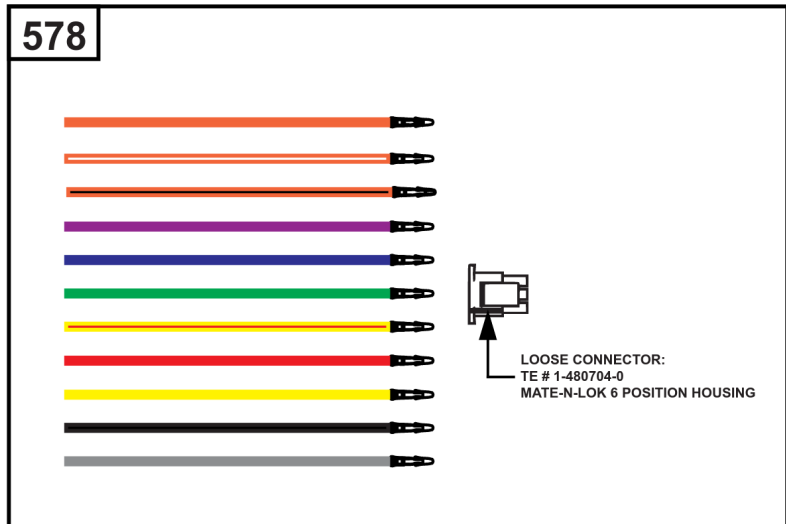
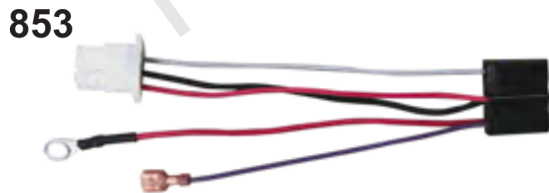
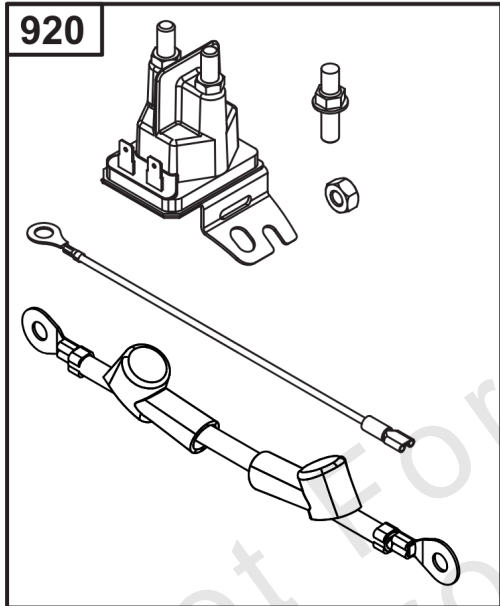
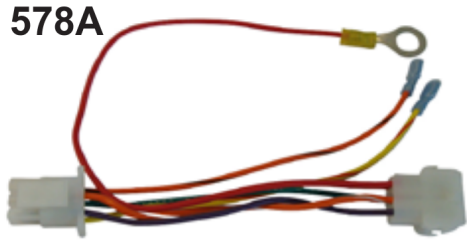
Implement Mounted Above Deck Mufflers

REF NO	PART NO	QTY	DESCRIPTION
300A	594585	1	MUFFLER -(Oil Filter Side Outlet) (Implement Supported) (O2 Sensor Port)
300B	595134	1	MUFFLER -(Oil Filter Side Outlet) (O2 Sensor Port)
300C	595135	1	MUFFLER -(Starter Side Outlet) (O2 Sensor Port)
300D	595136	1	MUFFLER -(Oil Filter Side Outlet)
264	703465	4	NUT, 5/16-18, GR5 -(Muffler Adapter)
355	5025292SM	4	WASHER, 5/16" GD.9 FL -(Muffler Bracket)
355A	5025155SM	2	WASHER, 5/16 -(Muffler Bracket)
415	596859	1	PLUG -(O2 Sensor Port)
437	703585	4	CAPSCREW, 5/16-18X1 -(Exhaust Manifold)
740	703164	2	NUT -(Muffler Bracket)
740A	703115	2	NUT -(Muffler Bracket)
819	690341	4	SCREW -(Muffler Bracket)
863	597480	1	BRACKET, Muffler
883	594365	2	GASKET, Exhaust
883A	690970	2	GASKET, Exhaust
1176	690941	4	NUT -(Exhaust Manifold)
1317	703116	4	LCKWSHR -(Exhaust Manifold)



Exhaust/Muffler Configurations

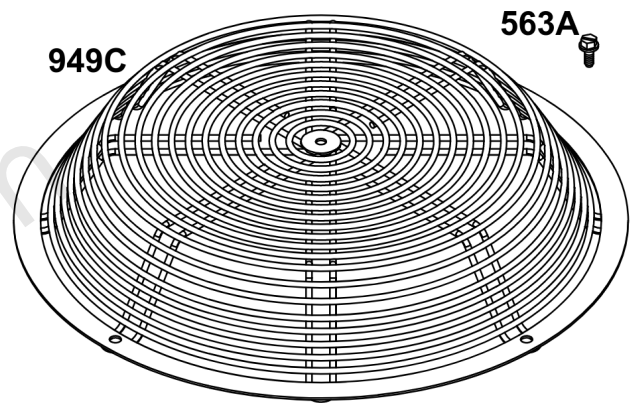
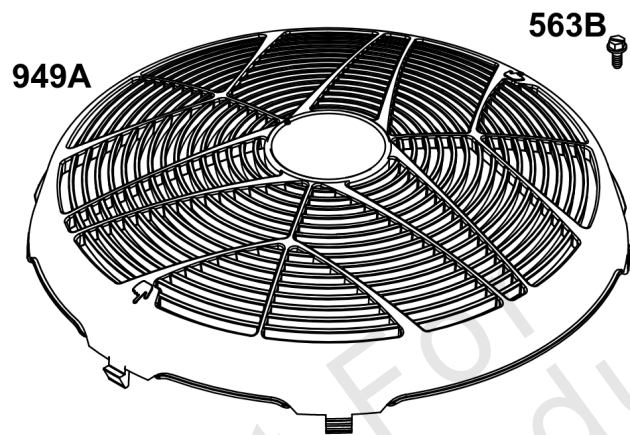
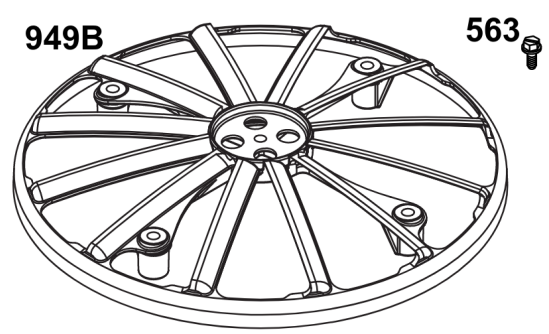
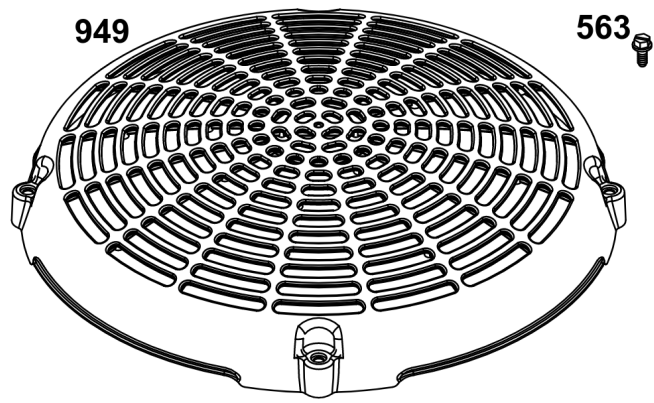
REF NO	PART NO	QTY	DESCRIPTION
300A	771127	1	MUFFLER -(Oil Filter Side Outlet)(Commercial & Professional Series)
300B	771128	1	MUFFLER -(Starter Side Outlet)(Commercial & Professional Series)
300C	595822	1	MUFFLER -(Starter Side Outlet)(Commercial & Professional Series)
300D	84003680	1	MUFFLER -(Oil Filter Side Outlet) (Commercial & Professional Series)(Vanguard 810 & 810 EFI) (Compatible with 593868 Spark Arrester, 593885 Spark Arrester with Deflector.) (Equipped with plug for blocking off O2 sensor port for non EFI engines.)
437	690341	4	SCREW -(Exhaust Manifold)
740	704067	2	NUT, HEX FLNG,5/16-18 -(Muffler Bracket)
819	592604	2	SCREW -(Muffler Bracket)
819A	695629	4	SCREW -(Muffler Bracket)
819B	692062	2	SCREW -(Muffler Bracket)
883	594365	2	GASKET, Exhaust
884	691956	1	CLAMP, Muffler
1176	690941	4	NUT -(Exhaust Manifold)
1177	793859	1	NUT -(Muffler)



Electrical

REF NO	PART NO	QTY	DESCRIPTION
578	84007350	1	WIRE ASSEMBLY -(Wire Harness Adapter Aids in repowering engine application with Male 6-Pin connector and wires create custom adapter configurations.)
578A	19631	1	TOOL, CUSTOM HARNESS -(6-pin Wire Harness Adapter) (Aids in repowering engine application to an EFI engine)
853	84003359	1	ADAPTER, WIRE -(Wire Harness Adapter) (Aids in repowering ExMark) (Flat 6-spade connector to Briggs & Stratton 6-Pin connector)
920	84002147	1	SOLENOID, STARTER -(Starter Solenoid Kit) (Aids in Repowering when original is solenoid shift)
983	5103809YP	1	LIGHT, Indicator -(MIL Light Indicator) (LED Red)
1616	19626	1	CODE READER -(Tiny Scan Code Reader)

Not For Reproduction

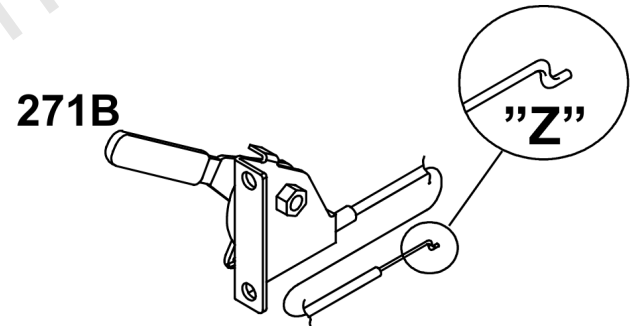
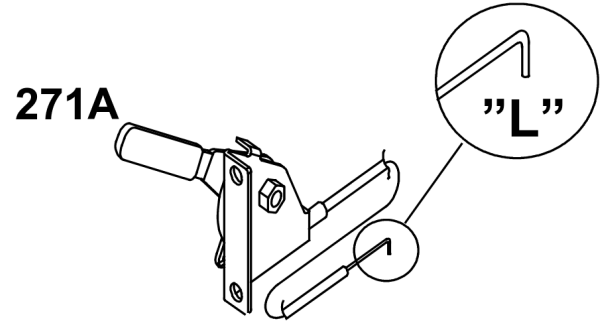
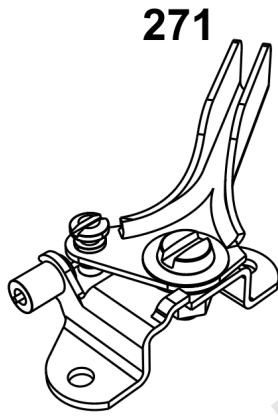
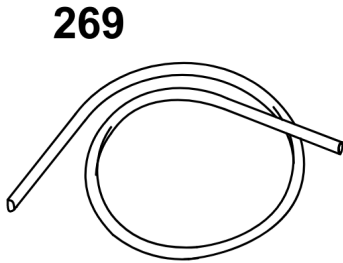
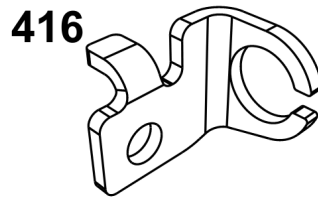
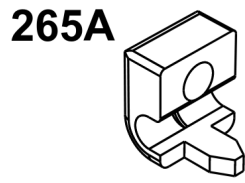
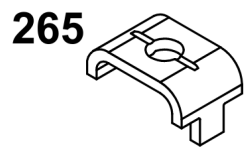


Not For
Reproduction

Flywheel Guards

REF NO	PART NO	QTY	DESCRIPTION
563	799360	1	SCREW -(Debris Screen Guard)
563A	597574	1	SCREW -(Debris Screen Guard)
563B	799359	1	SCREW -(Debris Screen Guard)
949	799357	1	GUARD, Debris Screen -(Static Cover Flywheel) (Requires 4 x 799360 Screw)
949A	797420YP	1	GUARD, Debris Screen -(Static Cover Flywheel High Flow) (Requires 4 x 799360 Screw)
949B	593206	1	GUARD, Debris Screen -(Static Cover Flywheel) (Requires 4 x 799359 Screw)
949C	597573	1	GUARD, Debris Screen -(Wire Static Flywheel Cover) (Requires 4x 597574 Screw) (For Commercial Series)

Not For Reproduction

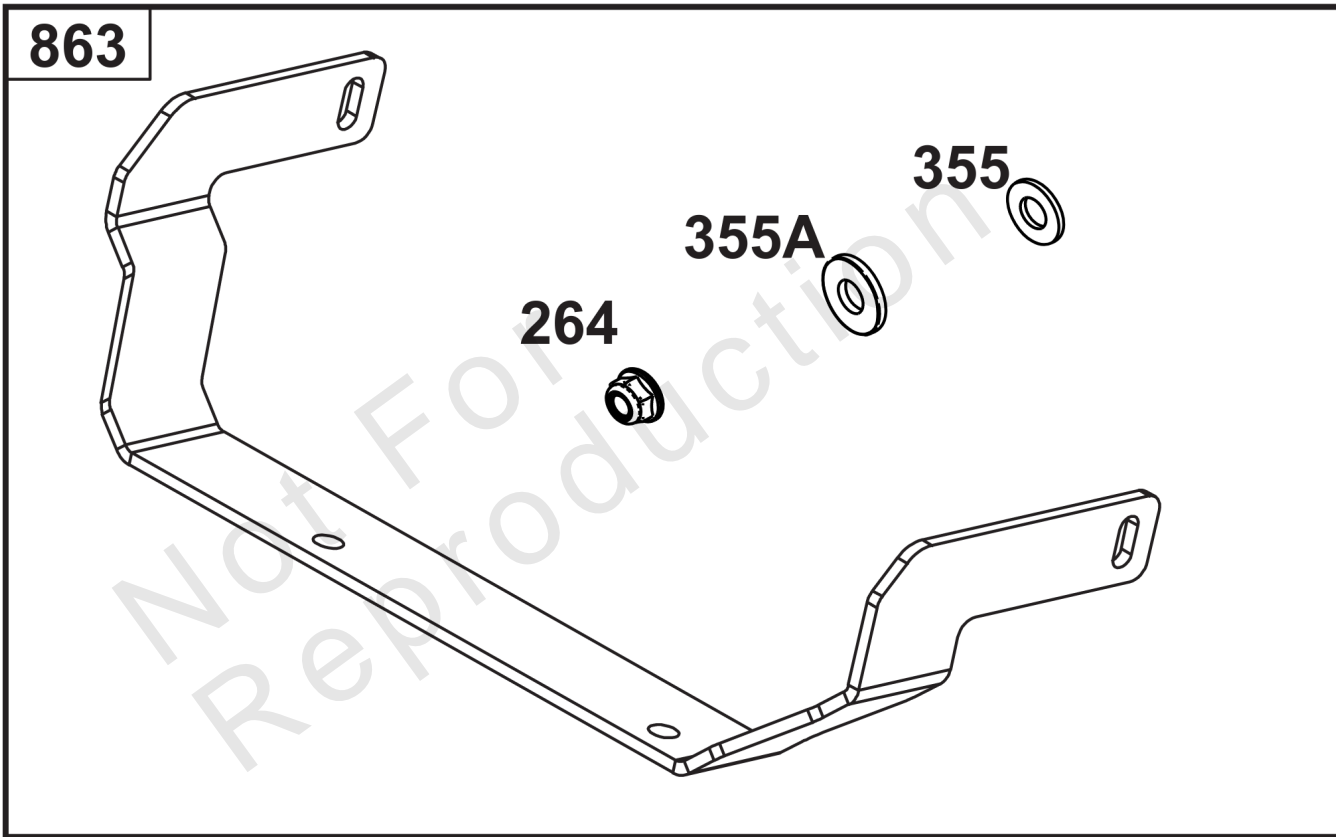
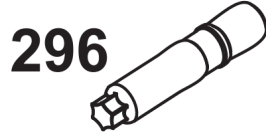
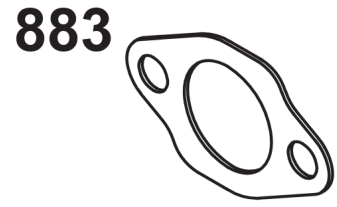


Not For
Reproduction

Speed Control

REF NO	PART NO	QTY	DESCRIPTION
265	691024	1	CLAMP, Casing -(Casing Clamp for Hard Casing)
265A	690798	1	CLAMP, Casing -(Casing Clamp for Soft Casing)
267	792629	1	SCREW -(Screw for Casing Clamp)
269	93907	1	WIRE, Control -(Control Wire 100')
271	691028	1	LEVER, Control -(Speed Control Lever Assembly)
271A	692105	1	LEVER, Control -("L" formed end Speed Control Lever Assembly)
271B	692541	1	LEVER, Control -("Z" formed end Speed Control Lever Assembly)
416	595196	1	BRACKET, Throttle Cable -(Casing Clamp for Snap-In Casing)

Not For Reproduction



Muffler Mounting Hardware

REF NO	PART NO	QTY	DESCRIPTION
264	703465	4	NUT, 5/16-18, GR5 -(Muffler Adapter)
296	591756	4	STUD -(Muffler)
355	5025292SM	4	WASHER, 5/16" GD.9 FL -(Muffler Bracket)
355A	5025155SM	2	WASHER, 5/16 -(Muffler Bracket)
613	690341	4	SCREW -(Muffler)
613A	690363	4	SCREW -(Muffler)
863	597480	1	BRACKET, Muffler
883	594365	2	GASKET, Exhaust
883A	690970	2	GASKET, Exhaust
1177	690941	4	NUT -(Muffler)

Not For Reproduction

